



US00D984724S

(12) **United States Design Patent**  
**Wu**

(10) **Patent No.:** **US D984,724 S**

(45) **Date of Patent:** **\*\* Apr. 25, 2023**

(54) **VEHICLE LIGHT LENS**

(71) Applicant: **COPLUS INC.**, New Taipei (TW)

(72) Inventor: **Po-Hua Wu**, New Taipei (TW)

(73) Assignee: **COPLUS INC.**, New Taipei (TW)

(\*\*) Term: **15 Years**

(21) Appl. No.: **29/796,842**

(22) Filed: **Jun. 28, 2021**

(51) **LOC (14) Cl.** ..... **26-05**

(52) **U.S. Cl.**  
USPC ..... **D26/139**

(58) **Field of Classification Search**

USPC ..... D26/24, 28–29, 34–36, 113, 118, 120,  
D26/122, 139; D12/190, 400, 196  
CPC ..... B60Q 1/2615; B60Q 1/26; B60Q 1/2619;  
B60Q 1/2607; B60Q 1/44; F21S 43/00;  
F21S 43/10; F21S 43/13

See application file for complete search history.

(56) **References Cited**

**U.S. PATENT DOCUMENTS**

D548,377 S	*	8/2007	Markefka	.....	D26/28
D552,273 S	*	10/2007	Gresens	.....	D26/28
D696,453 S	*	12/2013	Conway	.....	D26/139
D696,454 S	*	12/2013	Conway	.....	D26/139
D778,491 S	*	2/2017	Ito	.....	D26/139
D794,843 S	*	8/2017	Han	.....	D26/28
D802,205 S	*	11/2017	Ruiz	.....	D26/139
D821,026 S	*	6/2018	Conway	.....	D26/139
D868,318 S	*	11/2019	Lai	.....	D26/28
D868,321 S	*	11/2019	Kong	.....	D26/28
D932,091 S	*	9/2021	Lin	.....	D26/139

**OTHER PUBLICATIONS**

Patrick, Schiavone, TW-registration No. 120859-0001, Published at Orbit, publication date Jan. 1, 2008. Site visited Jan. 5, 2023. Available from Internet. (Year: 2008).\*

\* cited by examiner

*Primary Examiner* — Kathleen L Jones

*Assistant Examiner* — Jasmine L. Comedy

(74) *Attorney, Agent, or Firm* — Alan D. Kamrath; Karin L. Williams; Mayer & Williams PC

(57) **CLAIM**

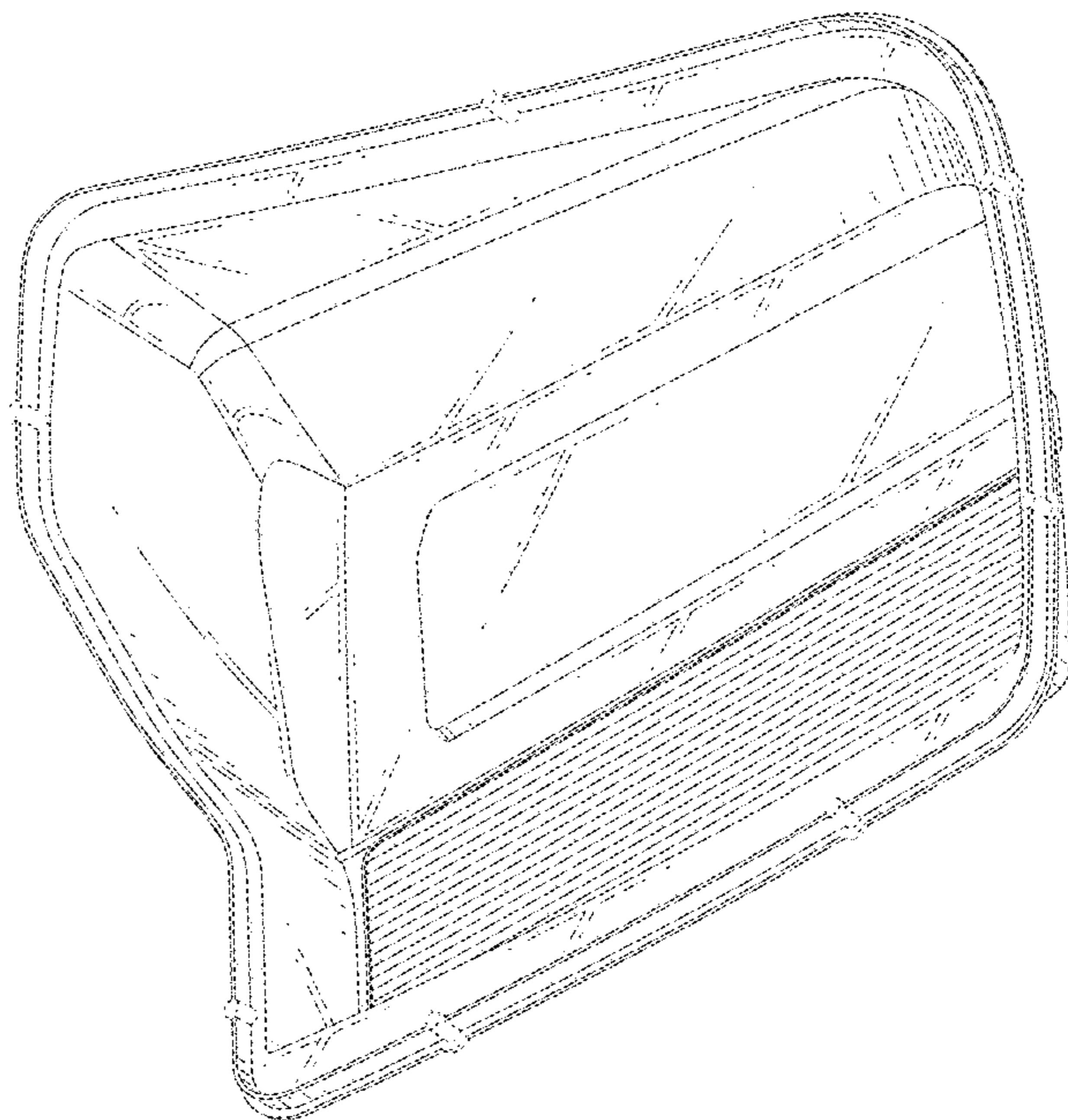
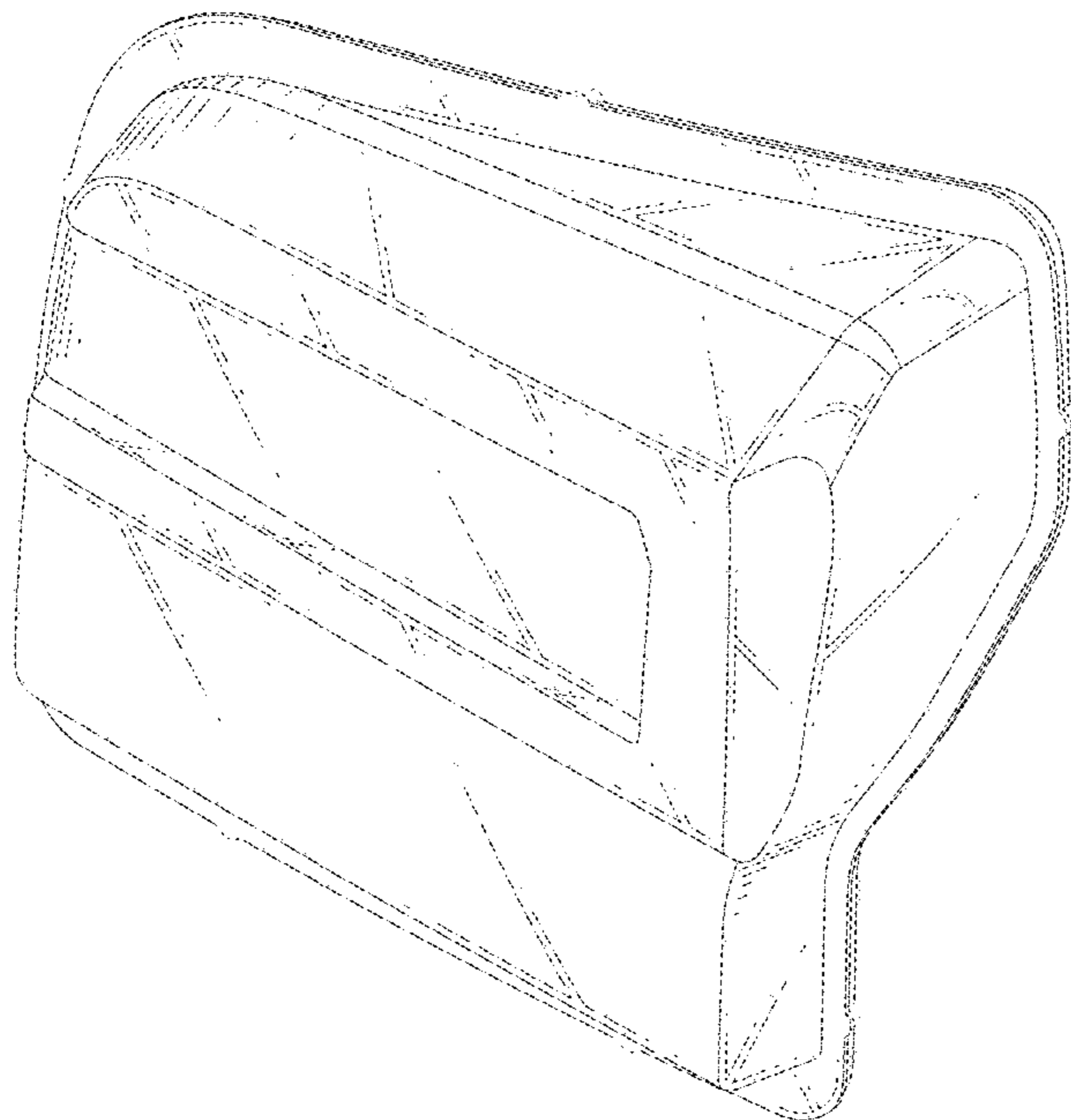
The ornamental design for a vehicle light lens, as shown and described.

**DESCRIPTION**

FIG. 1 is a top-front-right perspective view of a vehicle light lens, showing my new design;  
FIG. 2 is a bottom-rear-left perspective view thereof;  
FIG. 3 is a front elevation view thereof;  
FIG. 4 is a rear elevation view thereof;  
FIG. 5 is a left side elevation view thereof;  
FIG. 6 is a right side elevation view thereof;  
FIG. 7 is a top plan view thereof;  
FIG. 8 is a bottom plan view thereof; and,  
FIG. 9 is a cross-section view taken in the direction of line 9-9 in FIG. 7.

The broken lines in the drawings illustrate portions of the article that form no part of the claimed design.

**1 Claim, 9 Drawing Sheets**



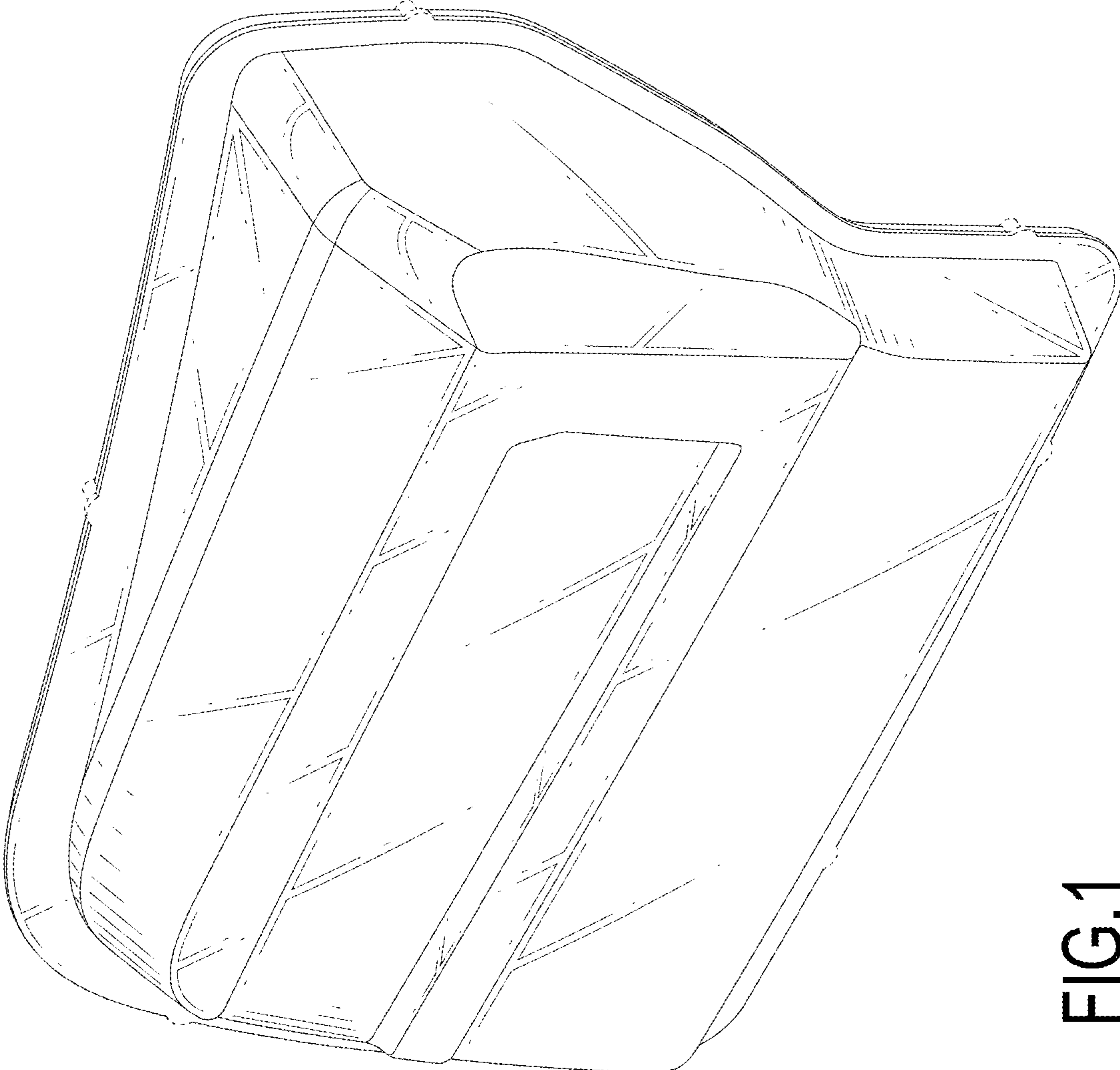


FIG.1

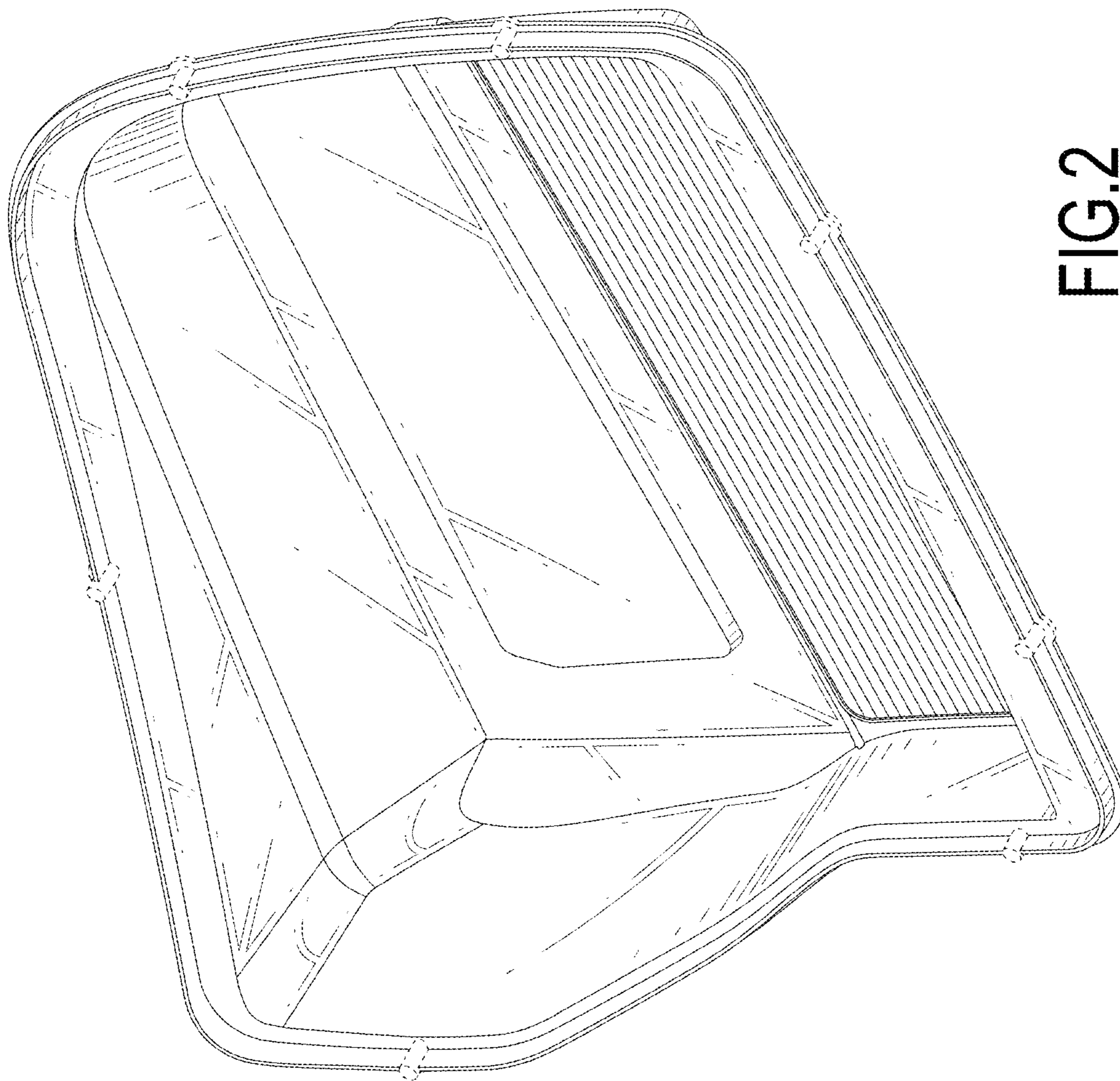


FIG.2

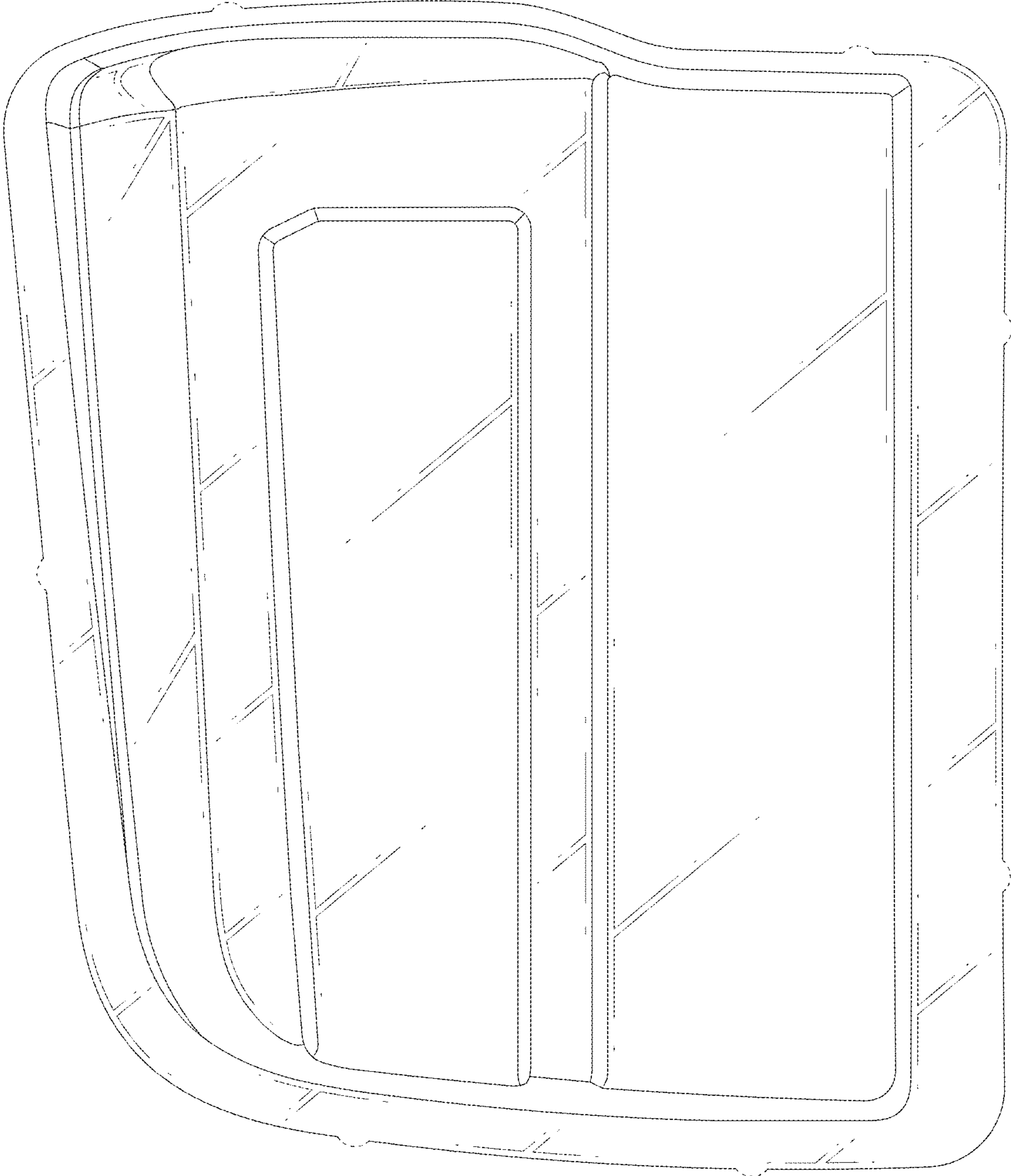


FIG.3



FIG.4

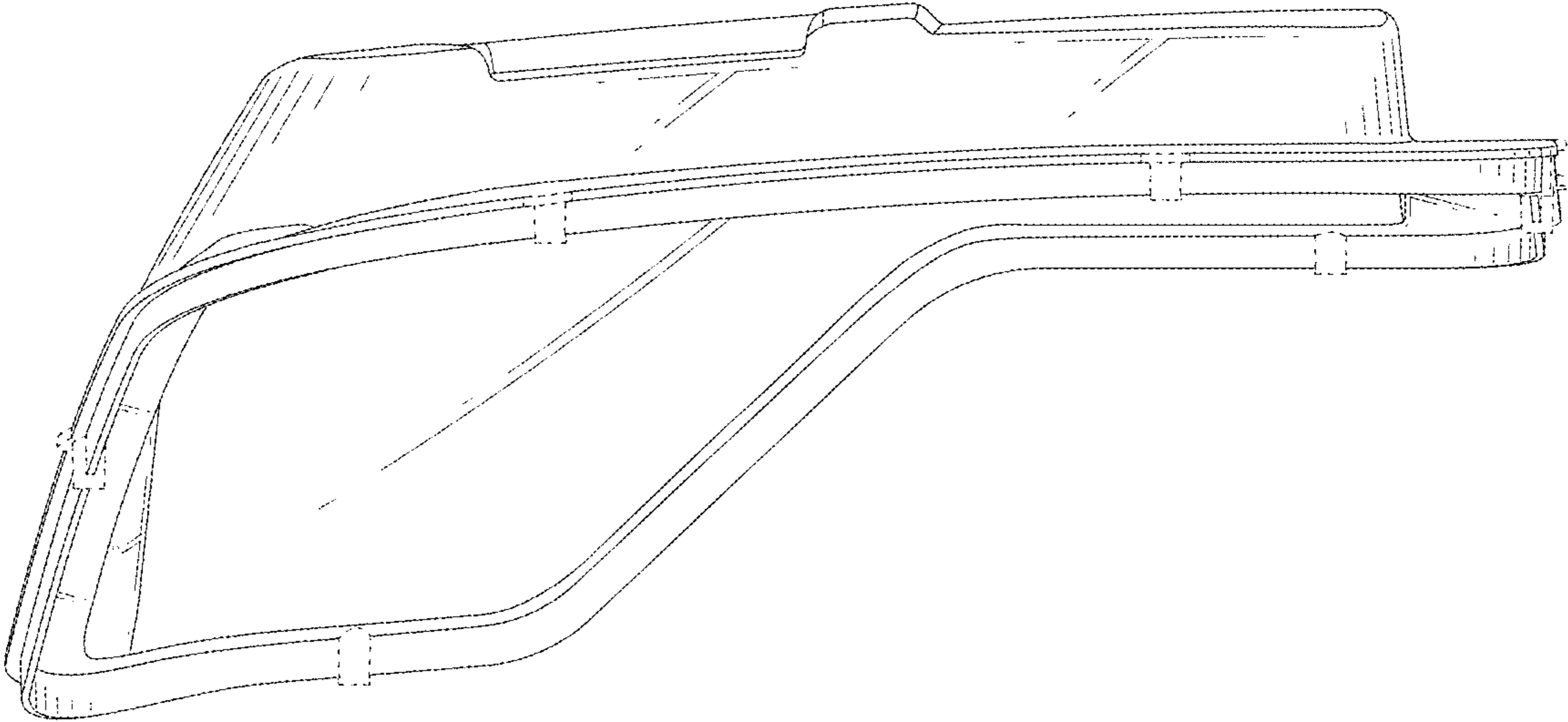


FIG.5

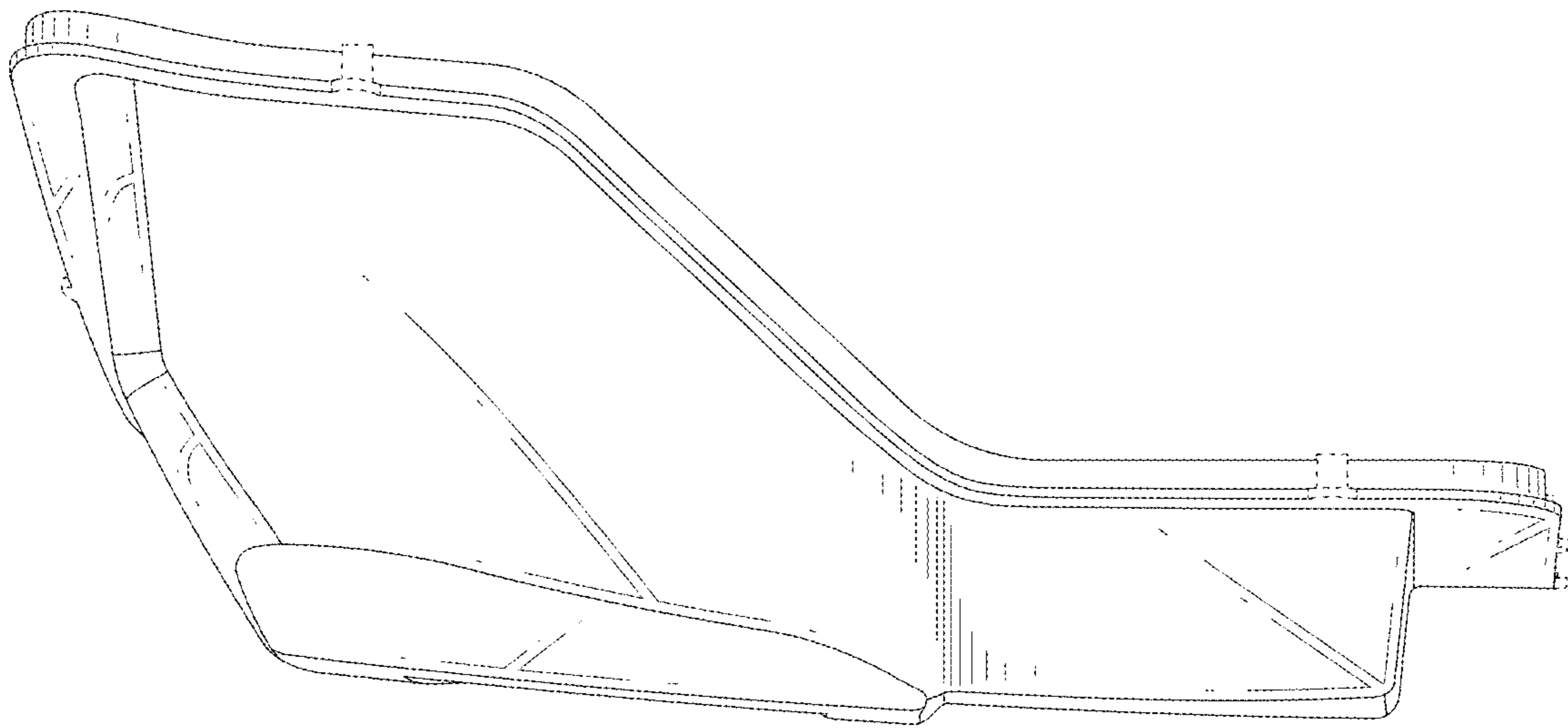


FIG.6

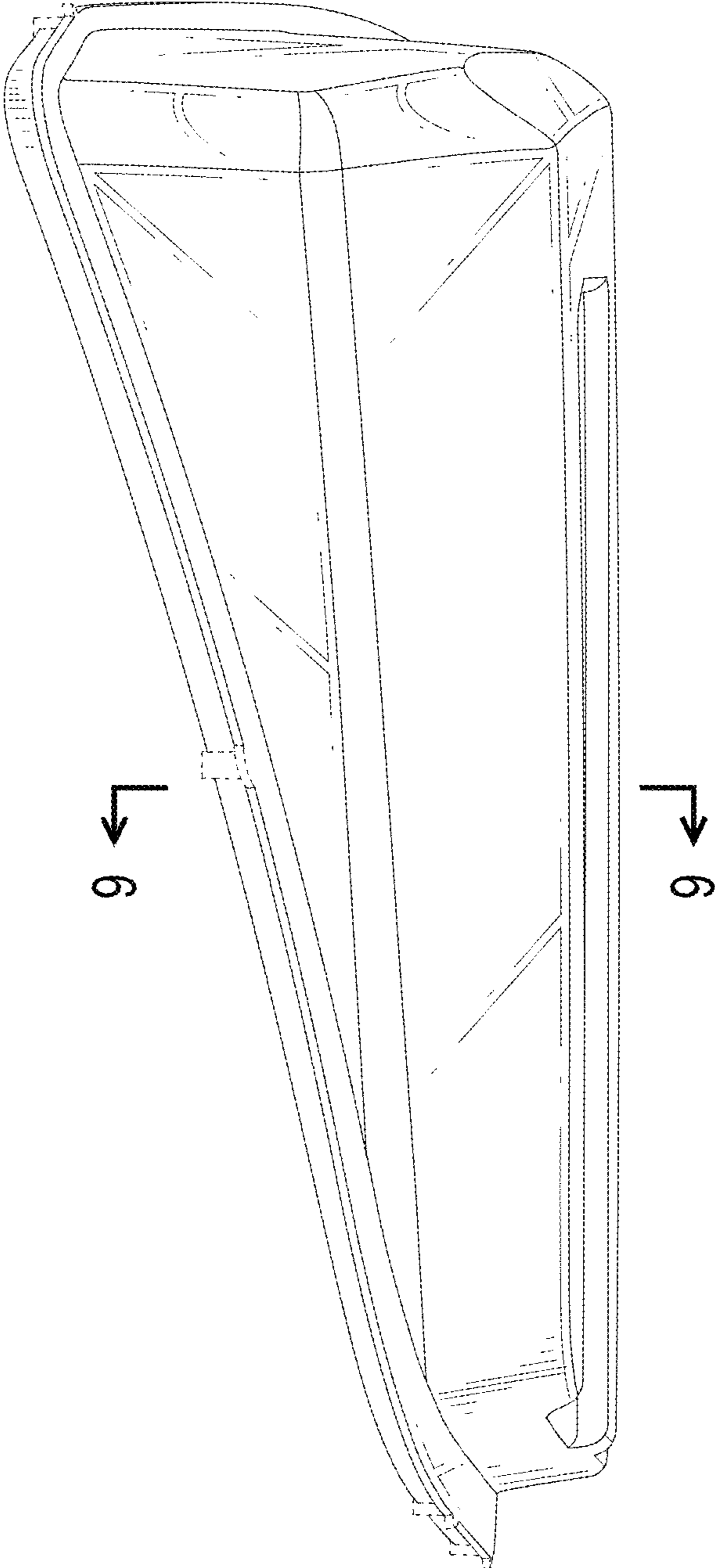


FIG.7



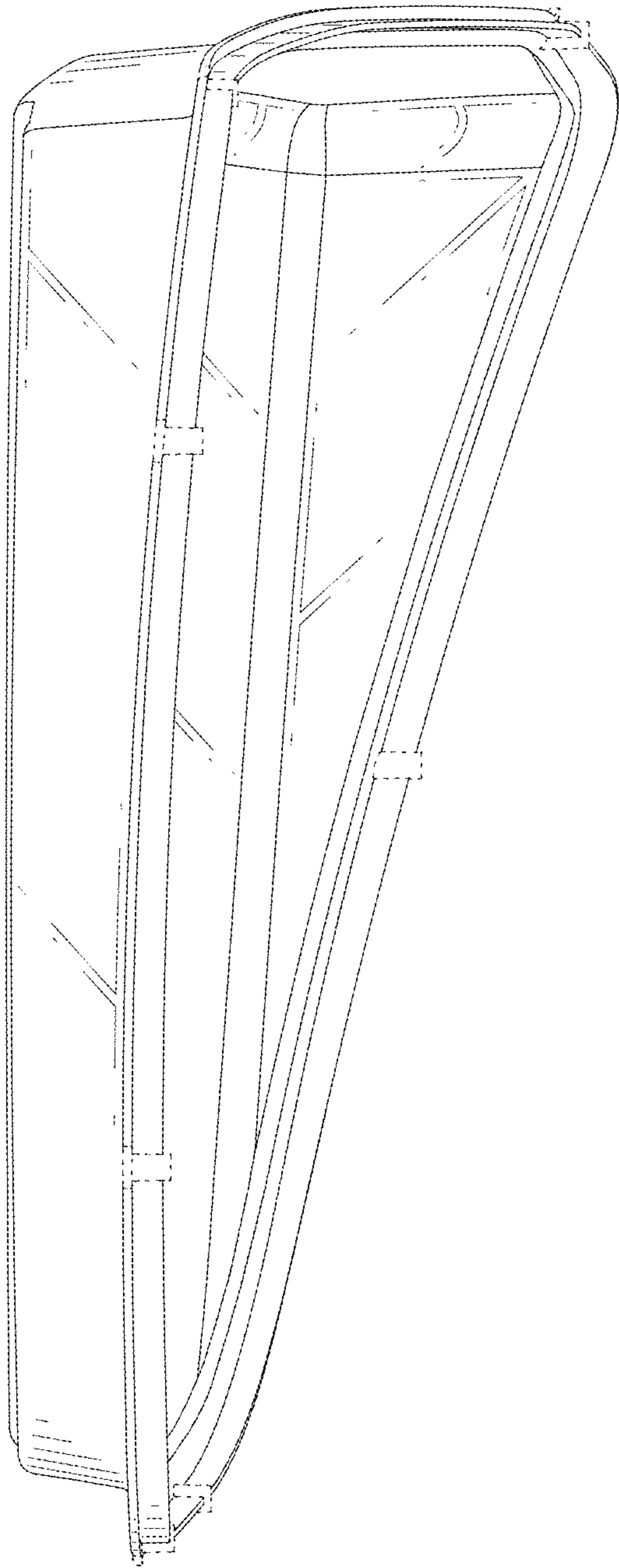


FIG.8

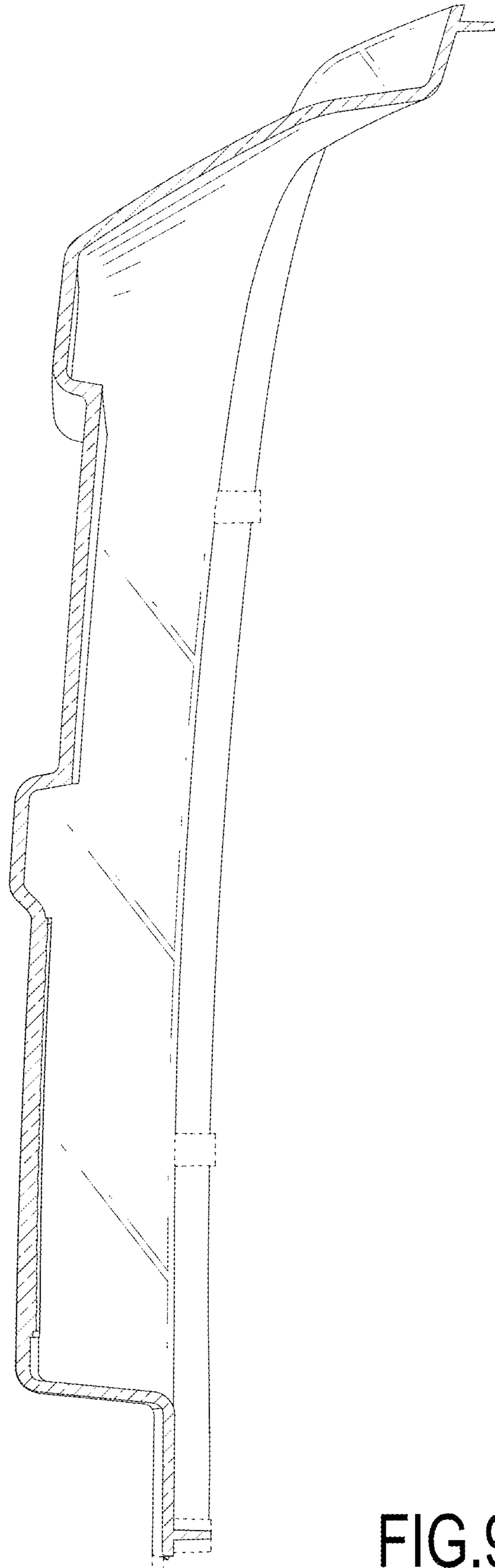


FIG.9