



US00D984722S

(12) **United States Design Patent**
Tang

(10) **Patent No.:** **US D984,722 S**

(45) **Date of Patent:** **** Apr. 25, 2023**

- (54) **LAMP**
- (71) Applicant: **Shenzhen JinDian Electronic Technology Co., Ltd., Shenzhen (CN)**
- (72) Inventor: **Shifu Tang, Shenzhen (CN)**
- (73) Assignee: **SHENZHEN JINDIAN ELECTRONIC TECHNOLOGY CO., LTD, Shenzhen (CN)**
- (**) Term: **15 Years**
- (21) Appl. No.: **29/808,362**
- (22) Filed: **Sep. 18, 2021**
- (51) **LOC (14) Cl.** **26-05**
- (52) **U.S. Cl.**
USPC **D26/119; D26/72**
- (58) **Field of Classification Search**
USPC D10/5, 111, 113.4, 114.1, 114.2, 16; D11/24, 25, 34, 89, 90, 132; D26/7, 24, D26/32, 34, 35, 38, 47, 51, 57, 69, 72, D26/73, 74, 77, 78, 80, 81, 83, 85, 88, D26/91, 93, 102, 105, 113, 118, 119, 120, D26/125, 138, 25; D30/106
CPC F21V 1/00; F21V 1/02; F21V 3/00; F21V 7/06; F21V 17/00; F21V 21/02; F21V 21/04; F21V 21/008; F21V 21/025; F21V 21/047; F21S 4/00; F21S 4/20; F21S 6/002; F21S 6/003; F21S 8/00; F21S 8/03; F21S 8/04; F21S 8/024; F21S 8/026; F21S 8/031; F21S 8/038; F21S 8/061; F21S 8/086; F21S 13/02; F21S 13/12; F21S 4/10; F21W 2111/00; F21W 2131/10; F21W 2131/3005; F21W 2121/04; F21Y 2103/20; F21Y 2105/16; F21Y 2105/18; F21Y 2115/10; A01G 7/045; A01G 9/24; A01G 9/249
See application file for complete search history.

- 1,349,392 A * 8/1920 Tillson F21V 17/00 362/377
- D251,871 S * 5/1979 Horn D26/91
- D436,418 S * 1/2001 Porter D26/80
- D439,697 S * 3/2001 Klaus D26/119
- D445,209 S * 7/2001 Chen D26/72
- D468,465 S * 1/2003 Krieger D26/40
- D487,525 S * 3/2004 Hsu D26/72
- D754,908 S * 4/2016 Orozco D26/85
- D917,740 S * 4/2021 Lan D26/25
- D929,640 S * 8/2021 Sonneman D26/88

(Continued)

OTHER PUBLICATIONS

Black Vintage Edison Desk Light, first available Nov. 2, 2020, amazon.com, [online], [site visited Feb. 22, 2023], Available from Internet URL: <https://a.co/d/gLtLcuh> (Year: 2020).*

(Continued)

Primary Examiner — Angela J Lee
Assistant Examiner — Audris Park

(57) **CLAIM**

The ornamental design for a lamp, as shown and described.

DESCRIPTION

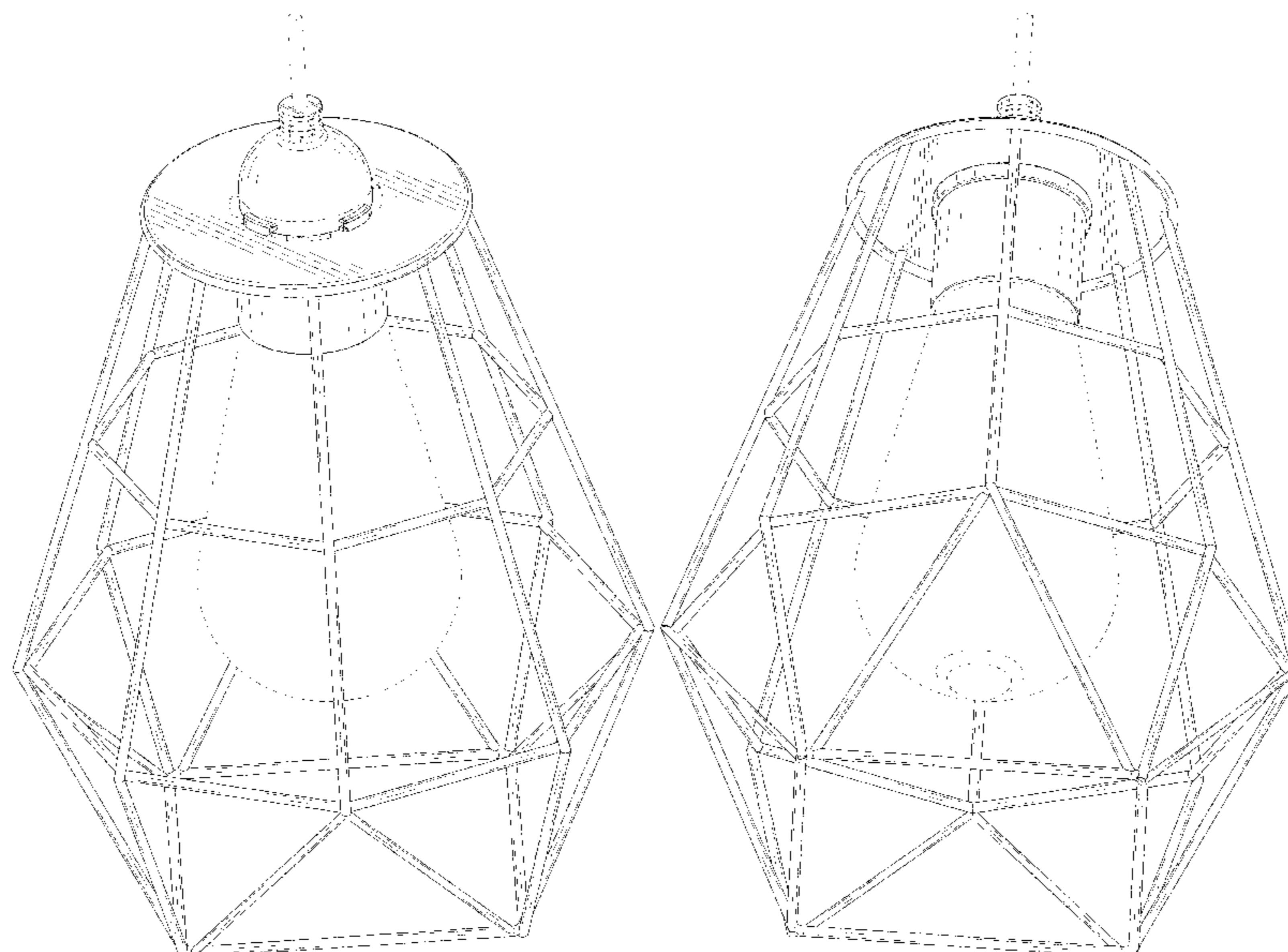
FIG. 1 is a perspective view of a lamp showing my new design;
FIG. 2 is another perspective view thereof;
FIG. 3 is a front elevational view thereof;
FIG. 4 is a rear elevational view thereof;
FIG. 5 is a left side elevational view thereof;
FIG. 6 is a right side elevational view thereof;
FIG. 7 is a top plan view thereof; and,
FIG. 8 is a bottom plan view thereof.
The broken lines in the drawings depict portions of the lamp that form no part of the claimed design.

(56) **References Cited**

U.S. PATENT DOCUMENTS

- D33,074 S * 8/1900 Verbeek D26/130

1 Claim, 8 Drawing Sheets



(56)

References Cited

U.S. PATENT DOCUMENTS

D930,218	S	*	9/2021	Amato	D26/88
D940,377	S	*	1/2022	Lin	D26/83
D942,669	S	*	2/2022	Li	D26/89
D945,687	S	*	3/2022	Jiang	D26/88
D952,229	S	*	5/2022	Li	D26/81
D965,201	S	*	9/2022	Cai	D26/87
2018/0209594	A1	*	7/2018	Parisi	F21S 9/037

OTHER PUBLICATIONS

Cage Pendant Light Black Hanging Light Fixture, first available Nov. 10, 2020, amazon.com, [online], [site visited Feb. 13, 2023], Available from internet URL: <https://a.co/d/6pHuWxB> (Year: 2020).*

EE Eleven Master Lighting Metal Cage Lampshade for Pendant Light, first available Sep. 19, 2019, [online], [site visited Feb. 14, 2023], Available from internet URL: <https://a.co/d/guCv9z2> (Year: 2019).*

Industrial Plug in Pendant Light, first available Aug. 1, 2021, [online], [site visited Feb. 13, 2023], Available from internet URL: https://www.amazon.com/Industrial-Plug-Pendant-Light-Farmhouse/dp/B09CT2QY8L/ref=sr_1_53?crid=1IN5BU3RNDH4Q&keywords=cage+pendant%E2%80%A6 (Year: 2021).*

* cited by examiner

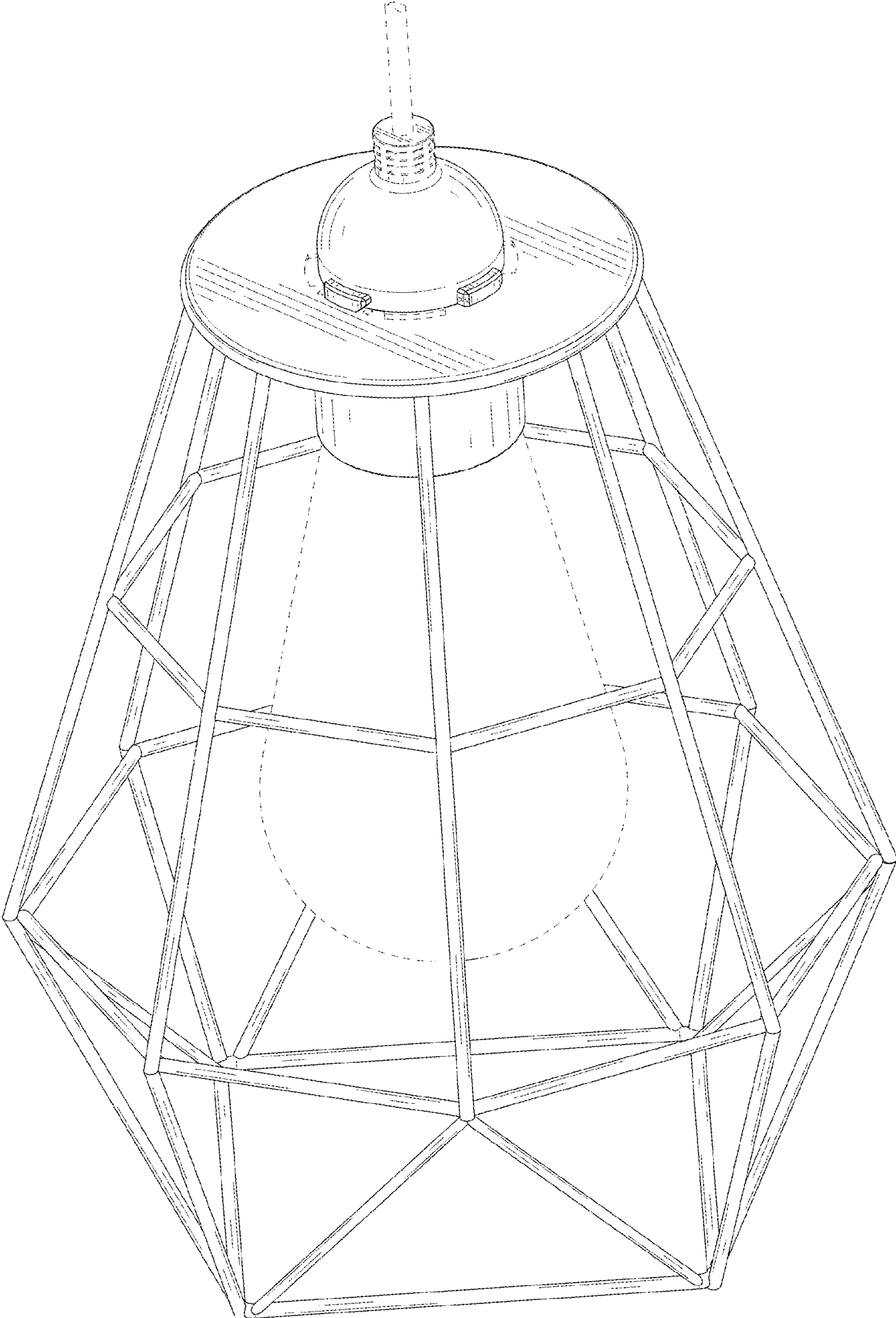


FIG. 1

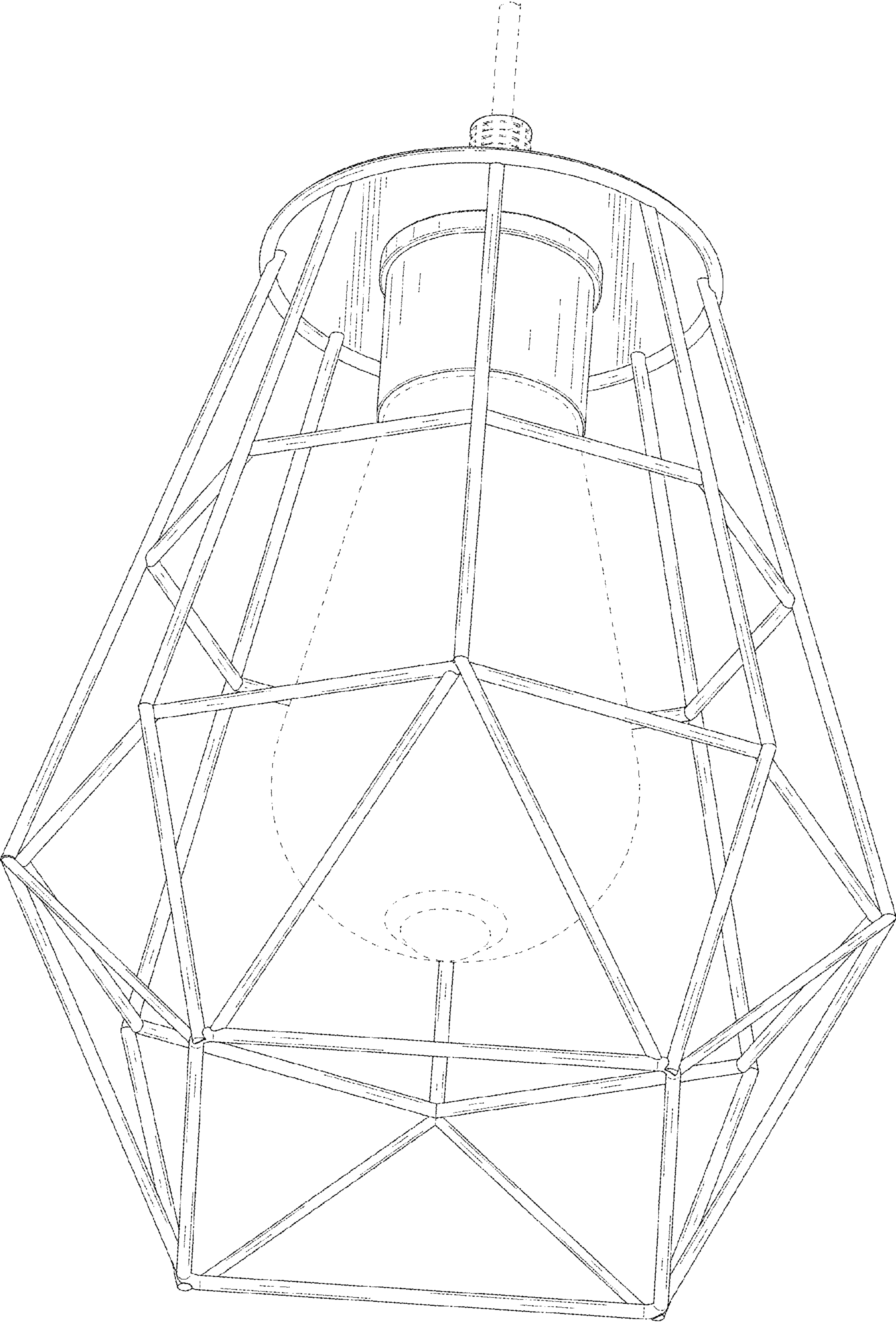


FIG. 2

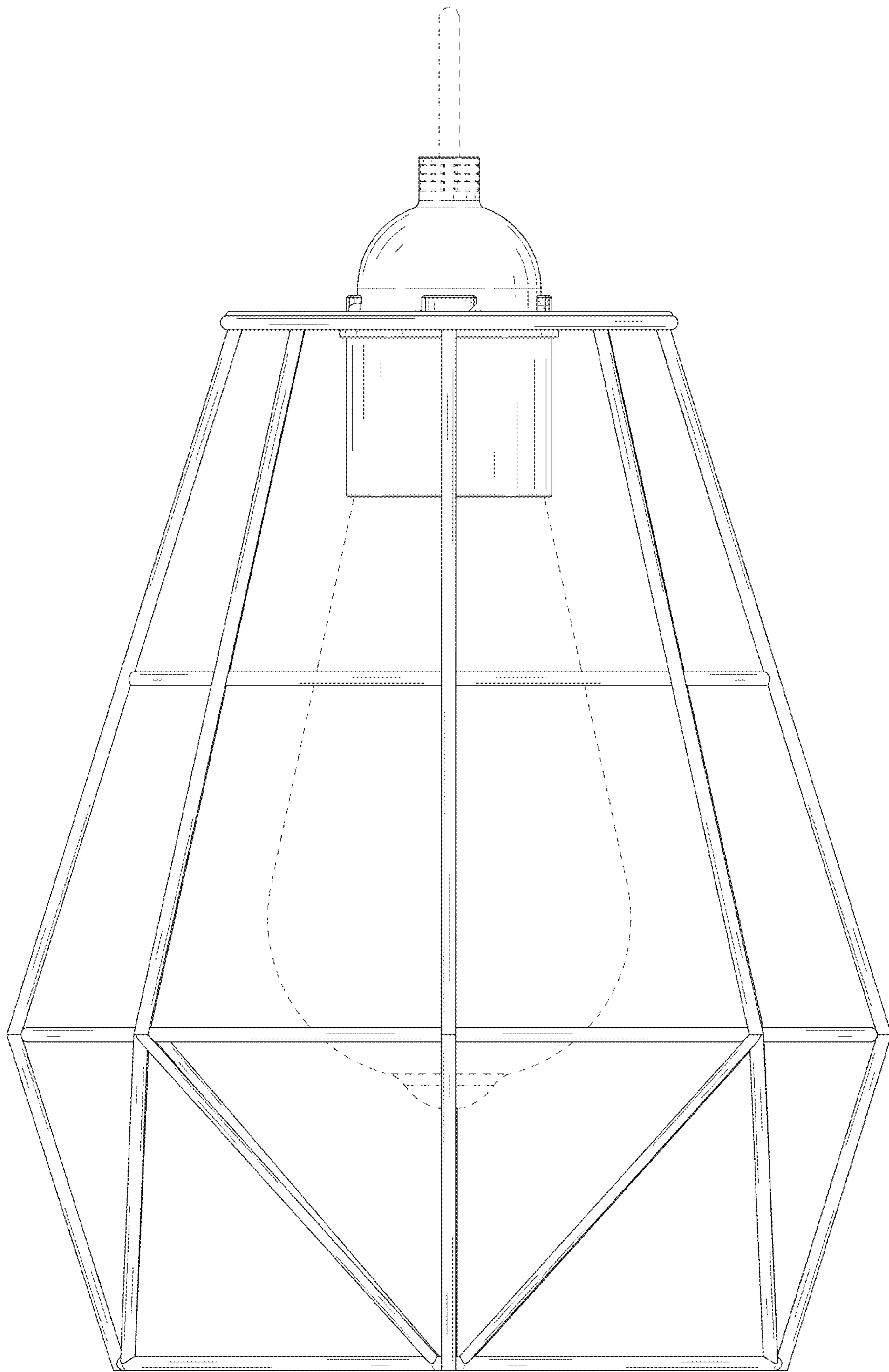


FIG. 3

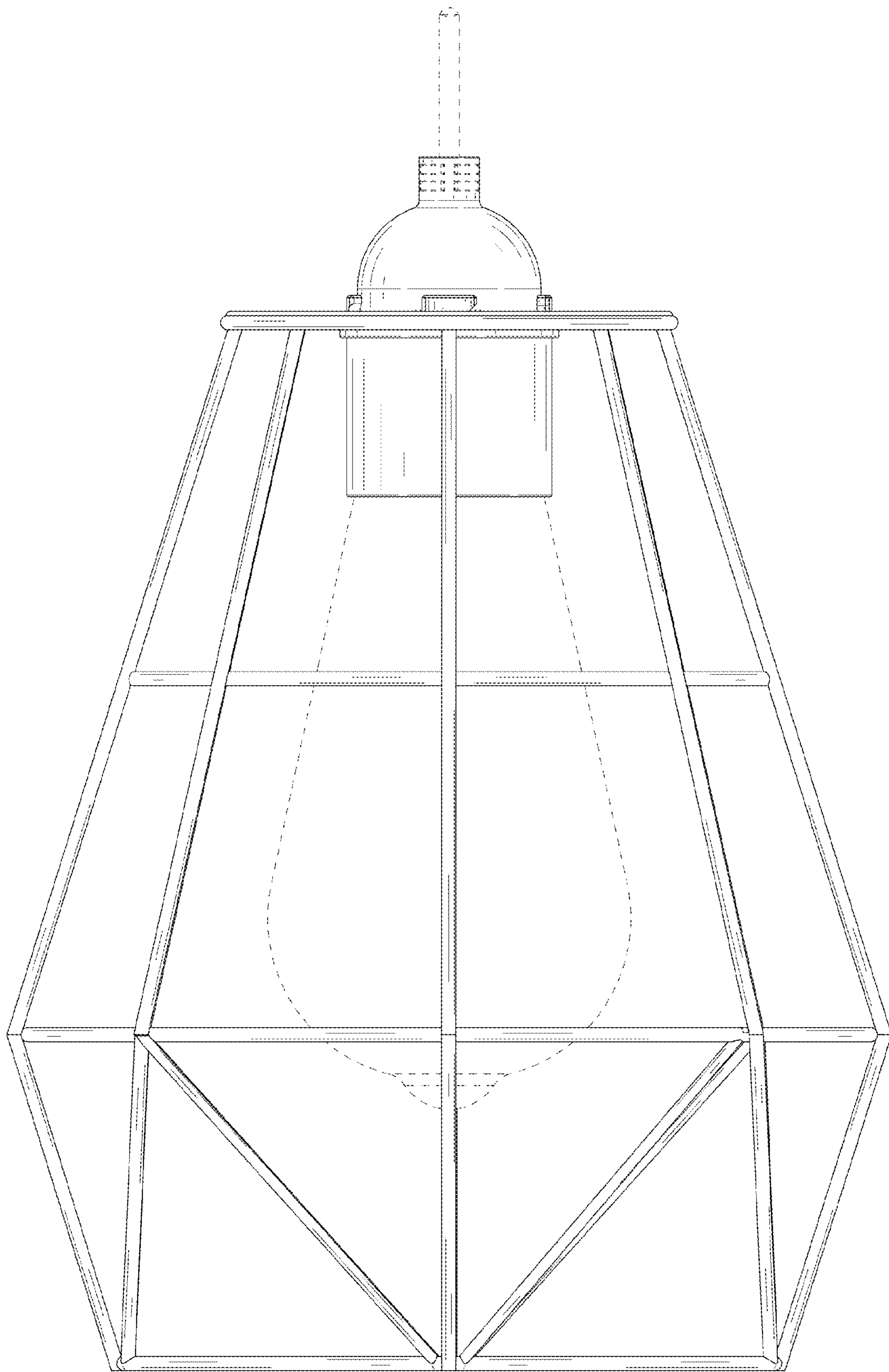


FIG. 4

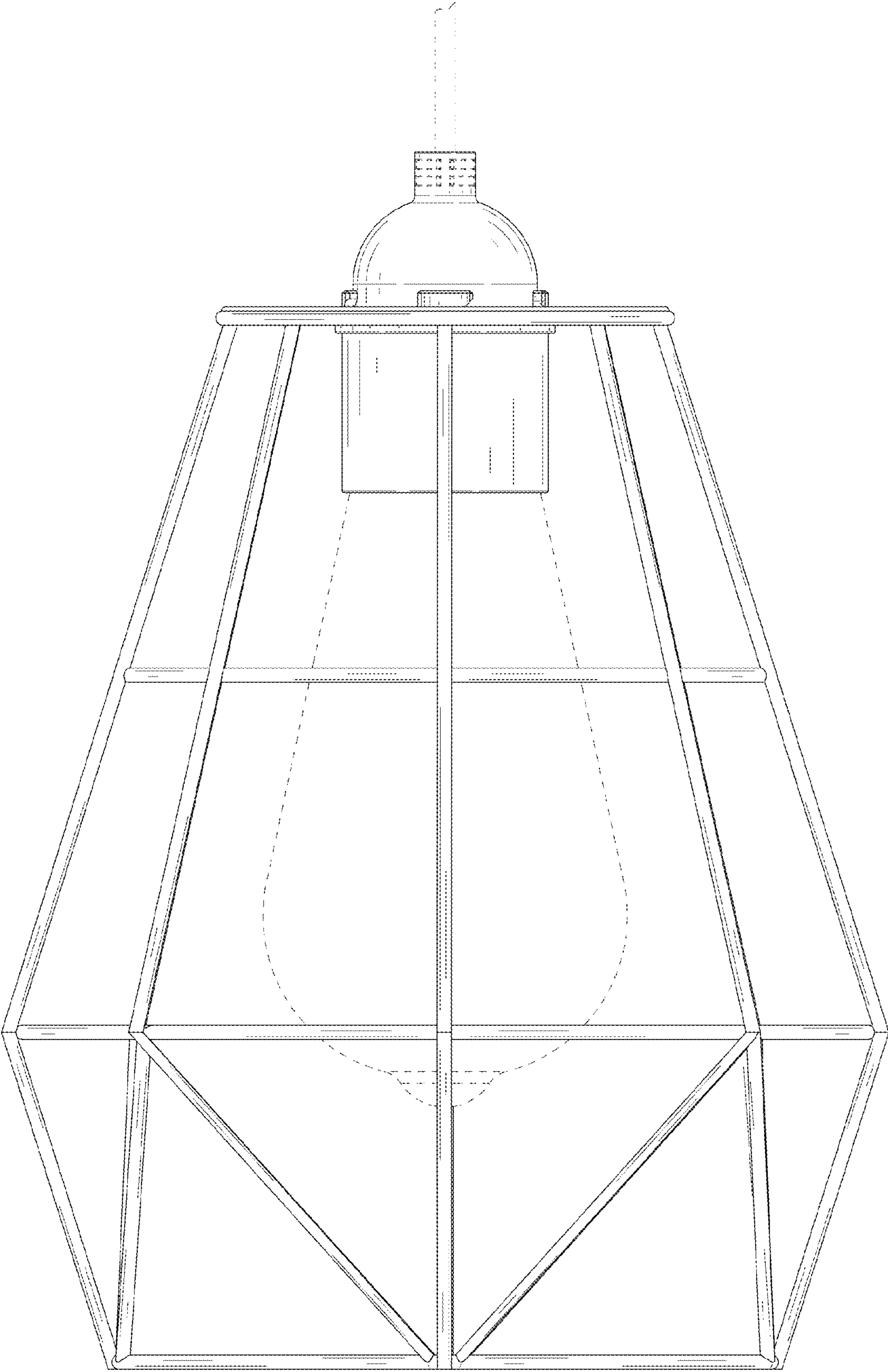


FIG. 5

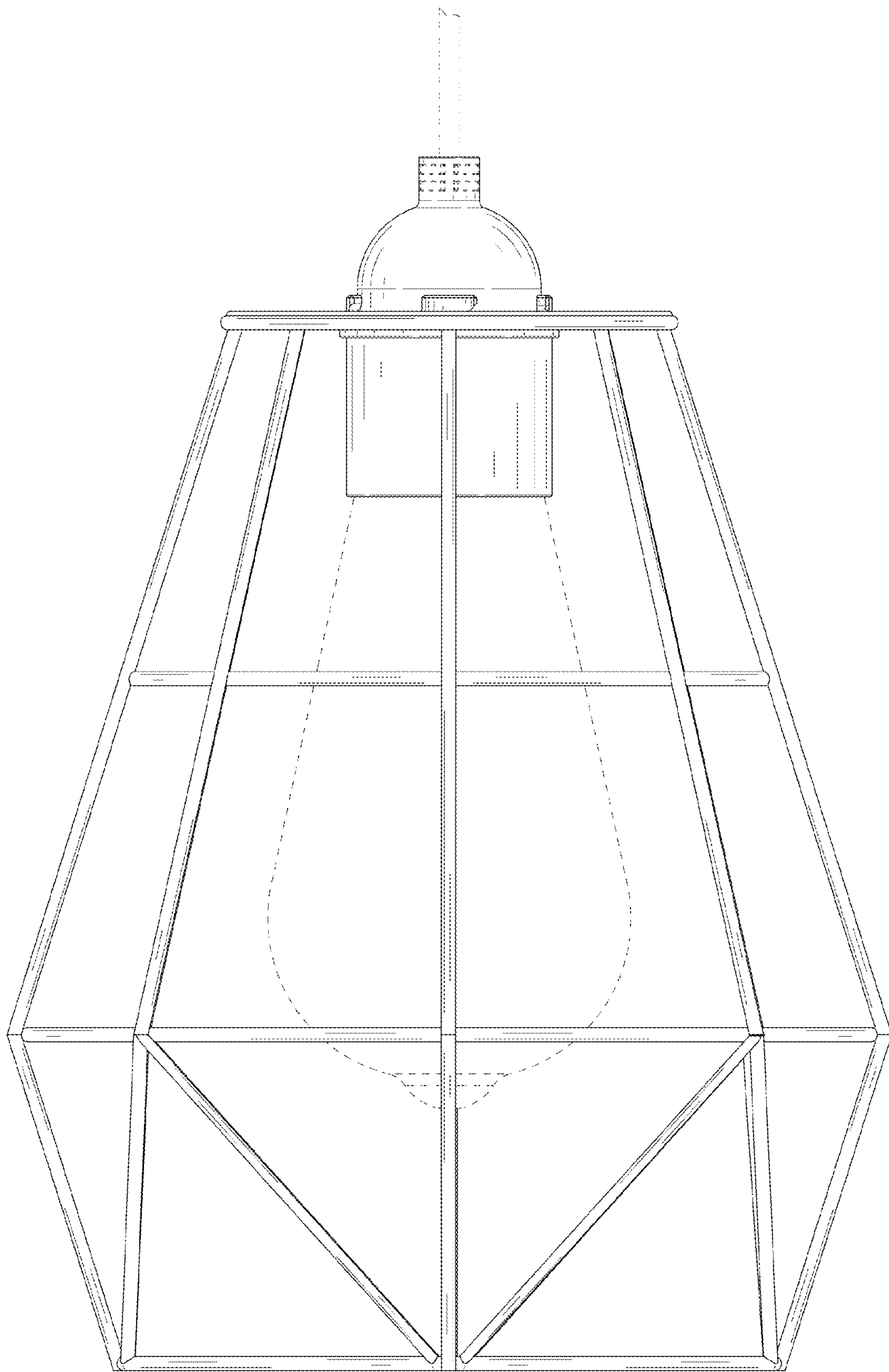


FIG. 6

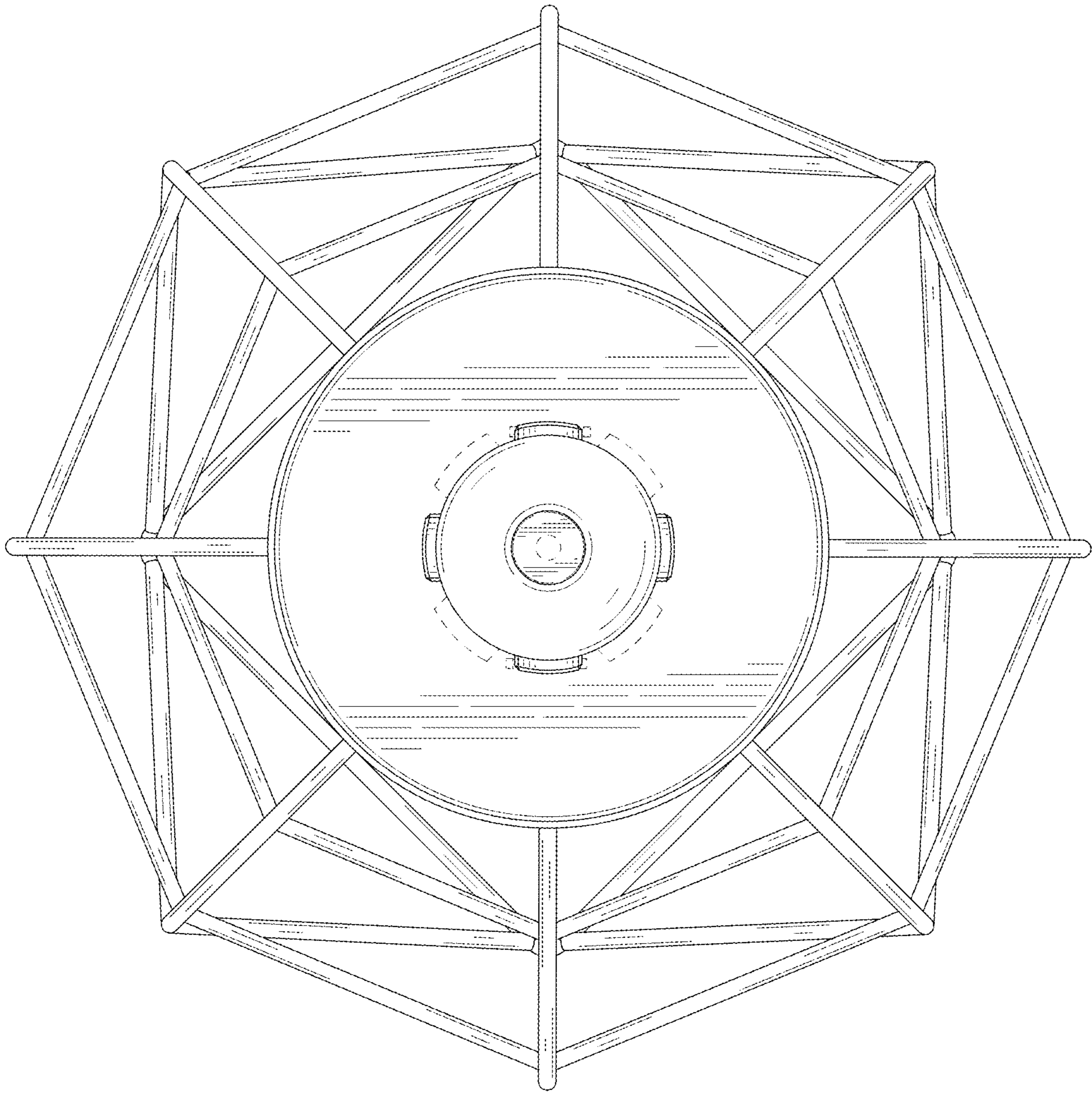


FIG. 7

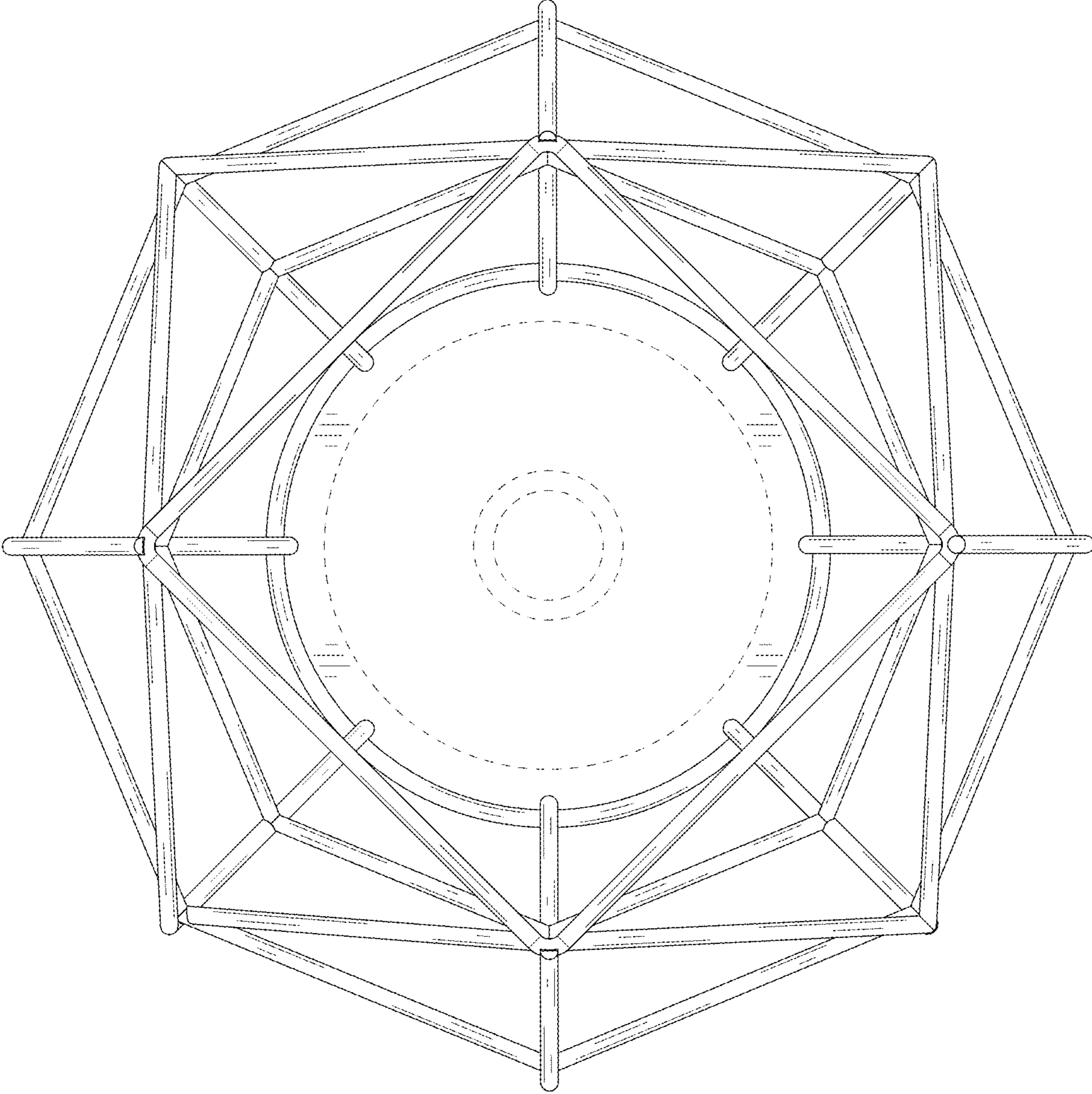


FIG. 8