



US00D984720S

(12) **United States Design Patent** (10) **Patent No.:** **US D984,720 S**
Xu (45) **Date of Patent:** **** Apr. 25, 2023**

(54) **RING LIGHT**

FOREIGN PATENT DOCUMENTS

(71) Applicant: **SHENZHEN YUANSU CHUANGDA TECHNOLOGY CO., LTD**, Shenzhen (CN)

CN 304146974 * 5/2017
GB 6091731 * 6/2020
GB 6139817 * 5/2021
GB 6214556 * 6/2022

(72) Inventor: **Xibin Xu**, Shenzhen (CN)

(73) Assignee: **SHENZHEN YUANSU CHUANGDA TECHNOLOGY CO., LTD**, Shenzhen (CN)

OTHER PUBLICATIONS

UBeesize 12" Ring Light, available in <https://www.amazon.com/>, posted: Oct. 14, 2020 [online], [site visited: Dec. 14, 2022], Internet URL: [https://www.amazon.com/UBeesize-Recording & Live-Streaming-Instagram-Compatible/dp/B08L5VKNWR](https://www.amazon.com/UBeesize-Recording-&Live-Streaming-Instagram-Compatible/dp/B08L5VKNWR) (Year: 2020).*

(**) Term: **15 Years**

(Continued)

(21) Appl. No.: **29/767,976**

(22) Filed: **Jan. 27, 2021**

Primary Examiner — Sheryl Lane
Assistant Examiner — Alex T. Milbrath

(30) **Foreign Application Priority Data**

Jul. 30, 2020 (CN) 202030423140.6

(51) **LOC (14) Cl.** **26-05**

(52) **U.S. Cl.**
USPC **D26/106**

(57) **CLAIM**

The ornamental design for a ring light, as shown and described.

(58) **Field of Classification Search**

USPC ... D26/1, 24, 49, 60, 61, 63, 64, 65, 79, 92, D26/104, 106, 111, 113, 118, 20, 123, D26/124, 138; D16/136, 237, 239, 244, D16/245, 250

CPC F21S 2/00; F21S 8/00; F21S 8/03; F21S 8/36; F21S 8/043; F21V 1/00; F21V 1/06; F21V 1/08; F21V 1/12; F21V 1/20; F21V 5/00; F21V 5/043; F21V 15/01; F21V 21/00; F21V 21/14; F21V 21/30; G03B 15/03; G03B 15/05; G03B 17/56; G03B 17/565

See application file for complete search history.

DESCRIPTION

FIG. 1 is a perspective view of a ring light showing my new design;
FIG. 2 is another perspective view thereof;
FIG. 3 is a front elevational view thereof;
FIG. 4 is a rear elevational view thereof;
FIG. 5 is a left side elevational view thereof;
FIG. 6 is a right side elevational view thereof;
FIG. 7 is a top plan view thereof;
FIG. 8 is a bottom plan view thereof;
FIG. 9 is an enlarged view of portion 9 shown in FIG. 2;
FIG. 10 is an enlarged view of portion 10 shown in FIG. 5; and,
FIG. 11 is an enlarged view of portion 11 shown in FIG. 7.
The broken lines in the drawings depict portions of the ring light that form no part of the claimed design.

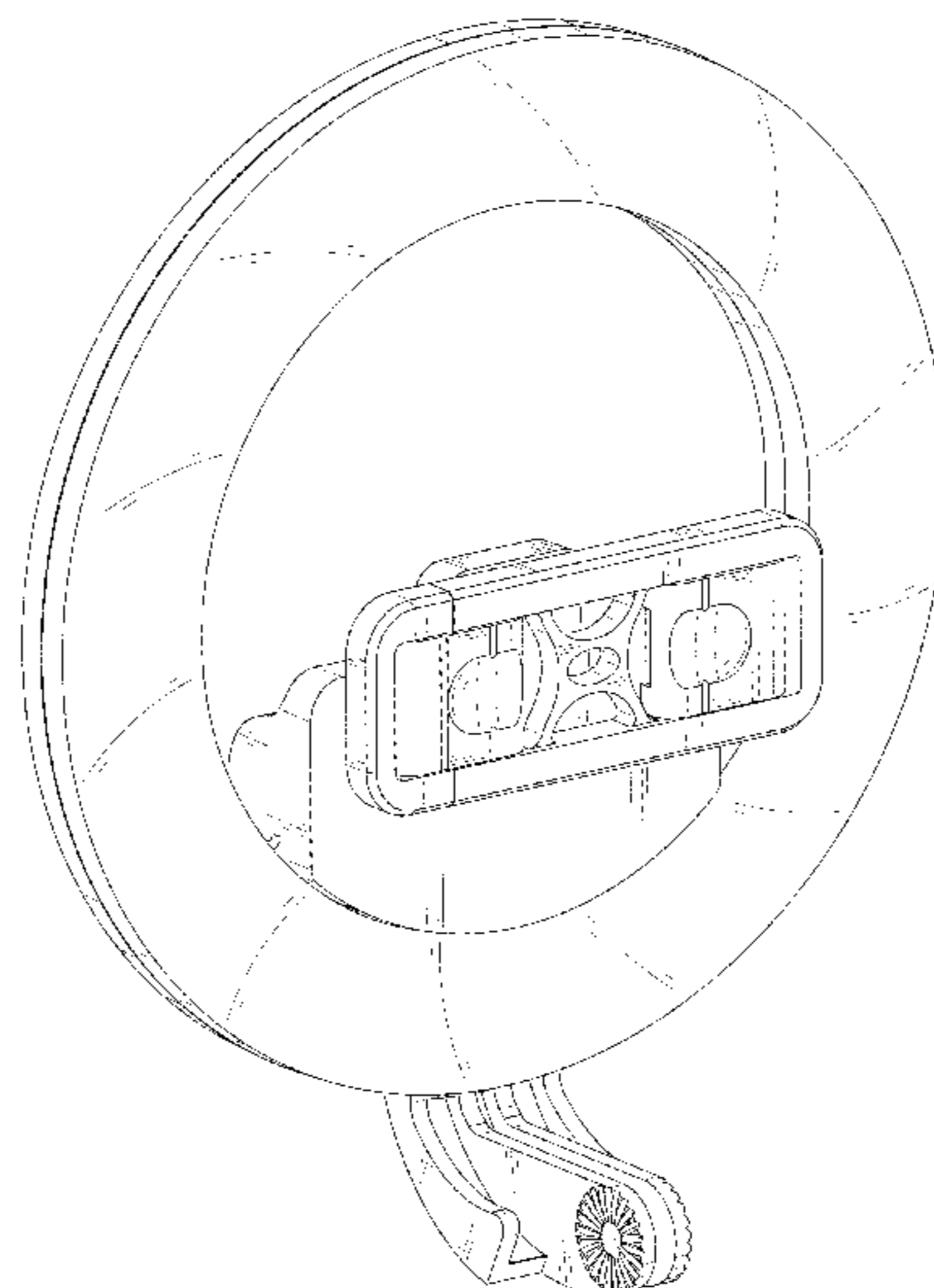
(56) **References Cited**

U.S. PATENT DOCUMENTS

D855,242 S * 7/2019 Chen D26/106
D877,392 S * 3/2020 Yu D26/106

(Continued)

1 Claim, 11 Drawing Sheets



(56)

References Cited

U.S. PATENT DOCUMENTS

D887,590 S * 6/2020 Ke D26/1
 D899,491 S * 10/2020 Chen D16/244
 D901,054 S * 11/2020 Zhao D16/237
 D901,749 S * 11/2020 Chen D16/237
 D907,836 S * 1/2021 Zhou D16/237
 D950,831 S * 5/2022 Wang D26/106
 D957,714 S * 7/2022 Hodgson D26/106
 D965,835 S * 10/2022 Lu D26/63
 D971,468 S * 11/2022 Zhu D26/39
 D971,476 S * 11/2022 Li D26/65
 2020/0281054 A1 * 9/2020 Li F21S 9/02

OTHER PUBLICATIONS

QiruIXinXi 10in Adjustable Ring Light, available in <https://www.amazon.com/>, posted: Sep. 1, 2021 [online], [site visited: Dec. 14, 2022], Internet URL: <https://www.amazon.com/Adjustable-Portable-Conference-Broadcast-Photography/dp/B09F6K5XXQ> (Year: 2021).*
 Elgato Ring Light, available in <https://www.amazon.com/>, posted: Sep. 28, 2020 [online], [site visited: Dec. 14, 2022], Internet URL: [https://www.amazon.com/Elgato-Ring-Light-Temperature-app-adjustable/dp/B08GMDQ87T?source=ps-sl-shoppingads-lpcontext&ref_=fplfs&smid=A . . .](https://www.amazon.com/Elgato-Ring-Light-Temperature-app-adjustable/dp/B08GMDQ87T?source=ps-sl-shoppingads-lpcontext&ref_=fplfs&smid=A...) (Year: 2020).*
 Eicaus 12" RGB Ring Light, available in <https://www.amazon.com/>, posted: Jun. 1, 2022 [online], [site visited: Dec. 14, 2022], Internet URL: [https://www.amazon.com/RGB-Lighting-Recording-Creative-Photography/dp/B0B2VR3C6T?source=ps-sl-shoppingads-lpcontext&ref_=fplfs&pvc=1& . . .](https://www.amazon.com/RGB-Lighting-Recording-Creative-Photography/dp/B0B2VR3C6T?source=ps-sl-shoppingads-lpcontext&ref_=fplfs&pvc=1&...) (Year: 2022).*

* cited by examiner

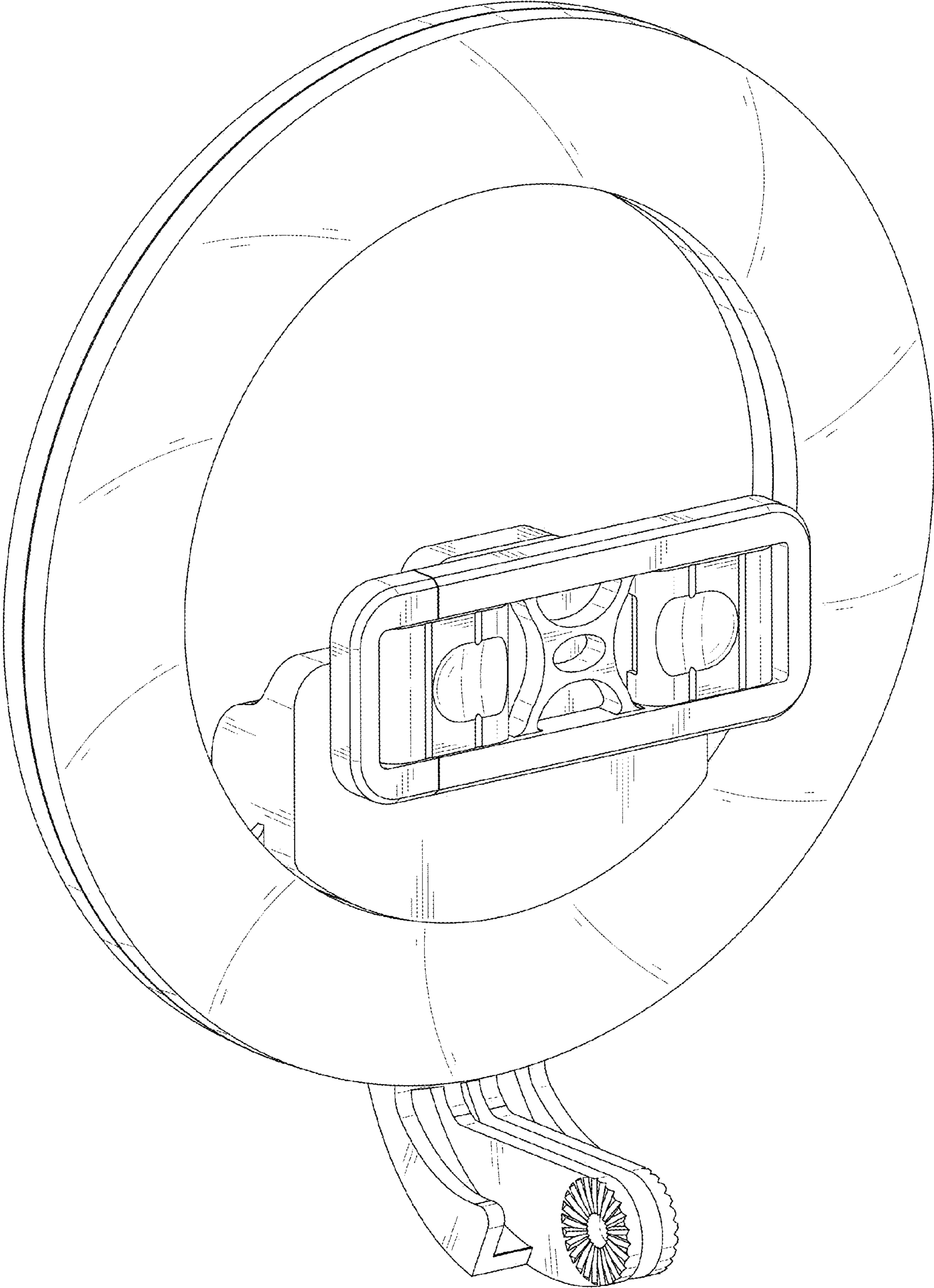


FIG. 1

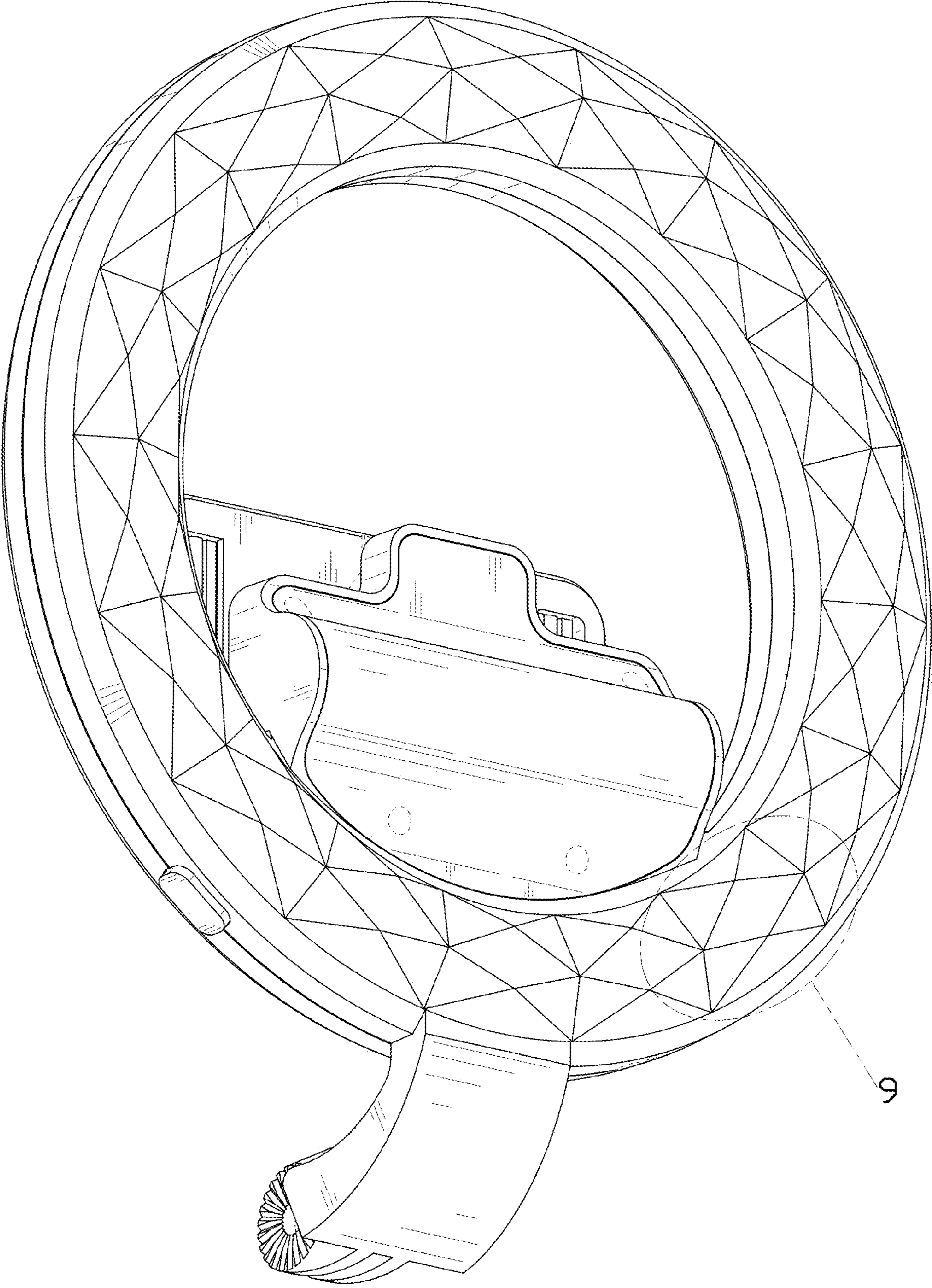


FIG. 2

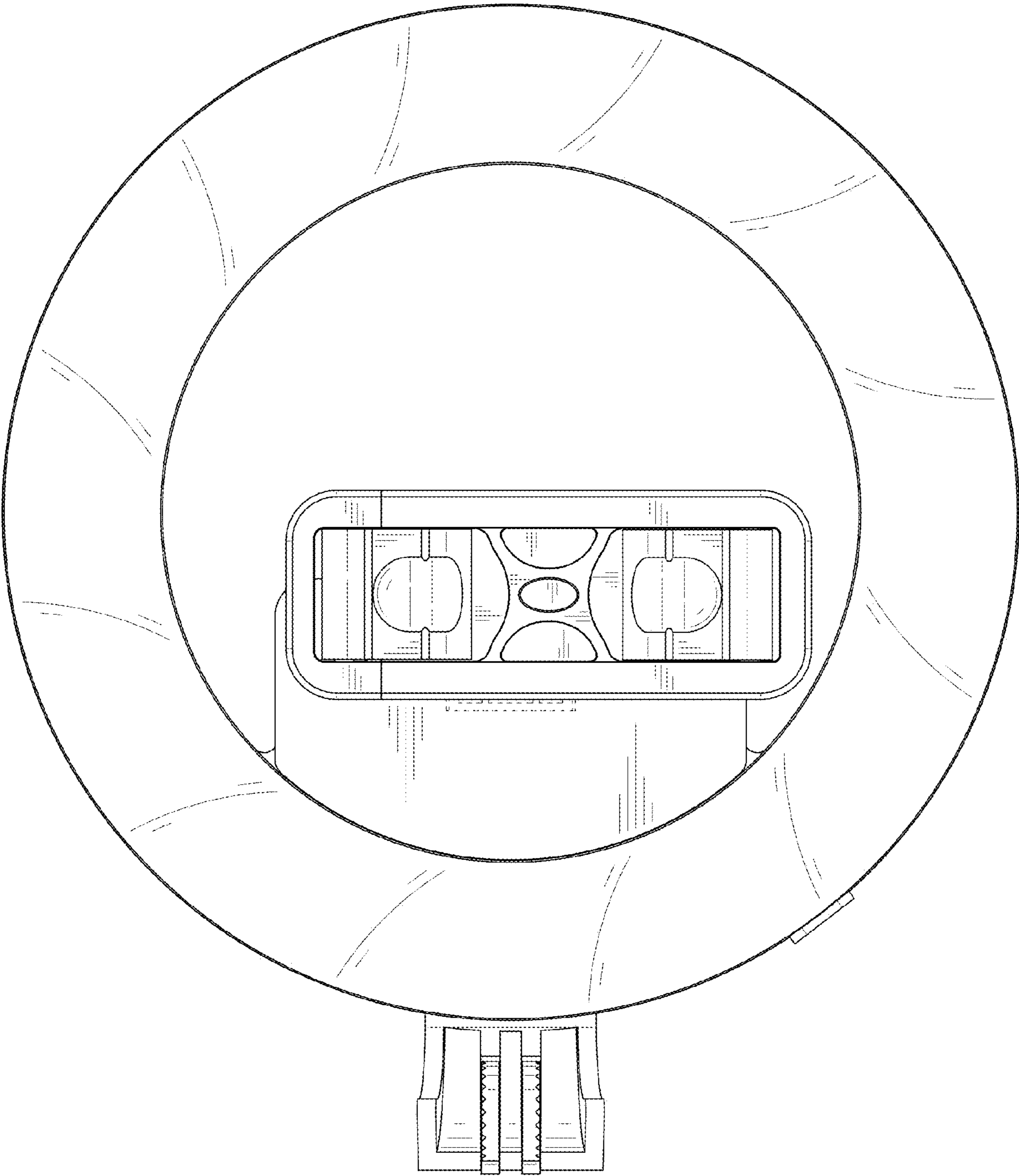


FIG. 3

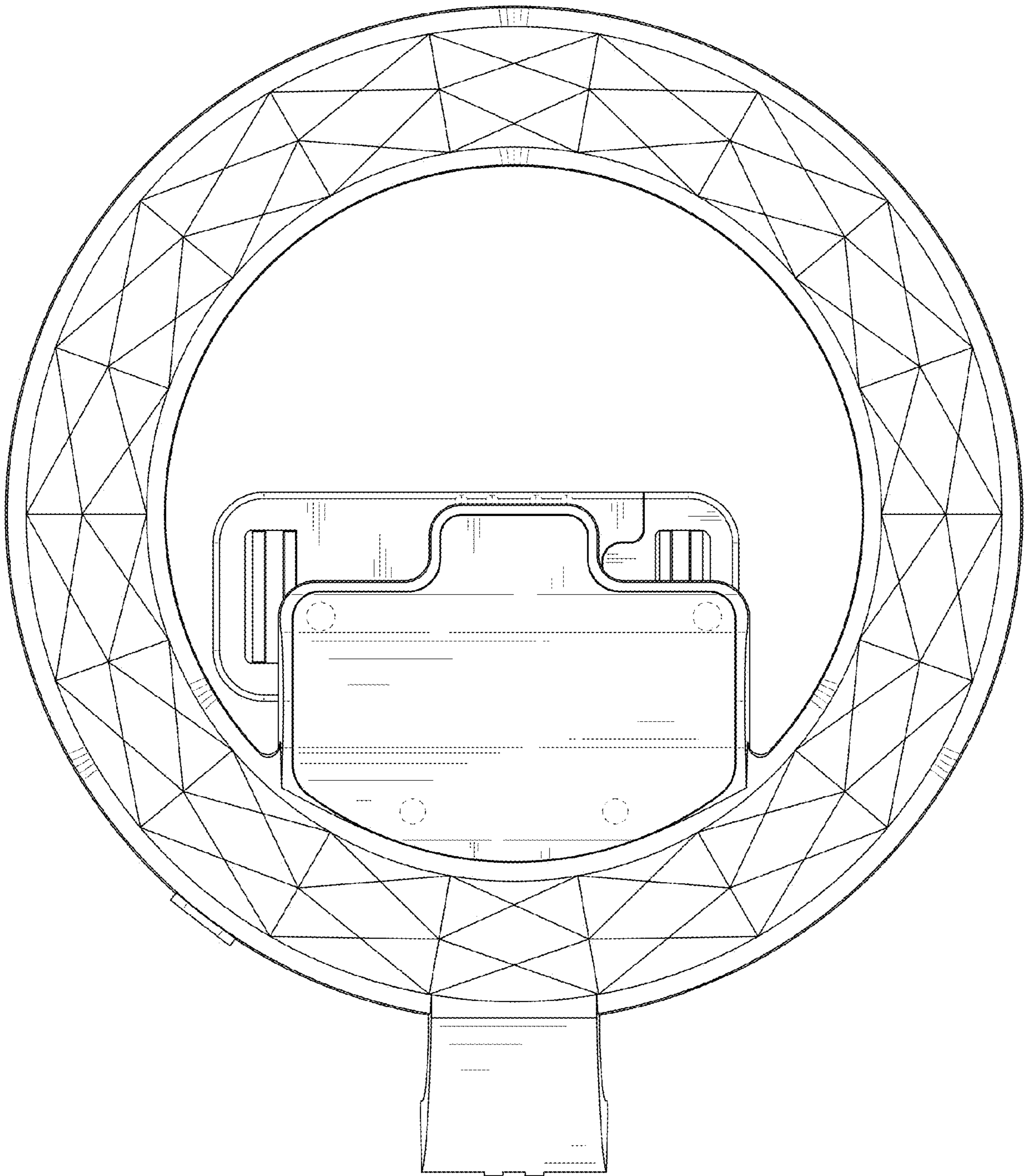


FIG. 4

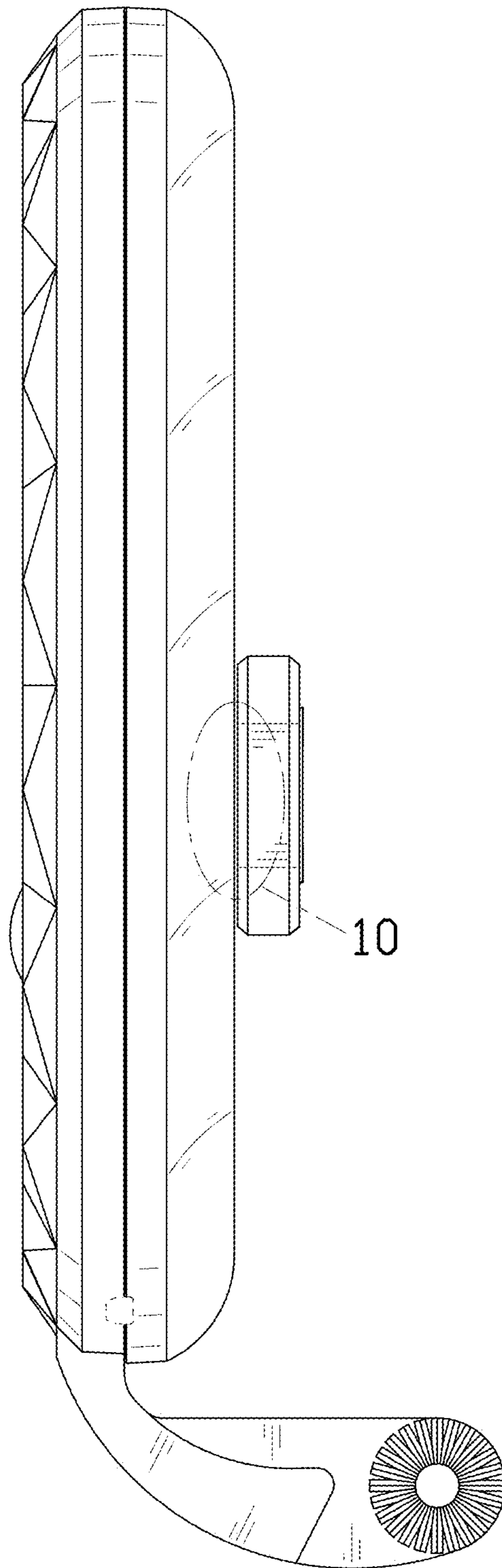


FIG. 5

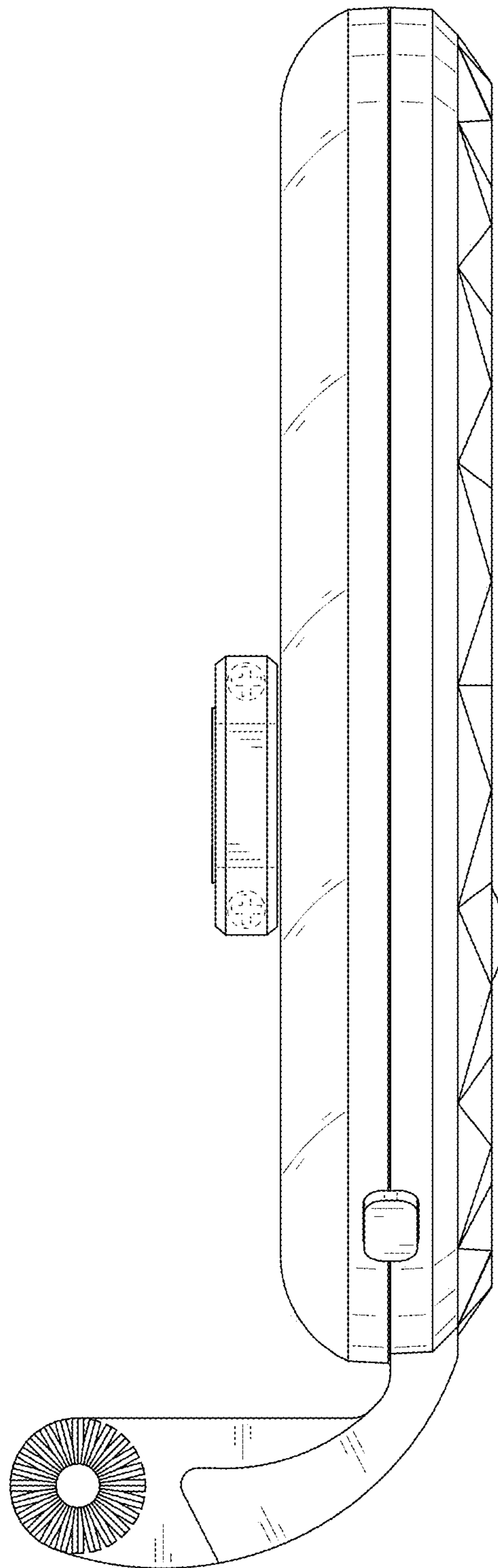


FIG. 6

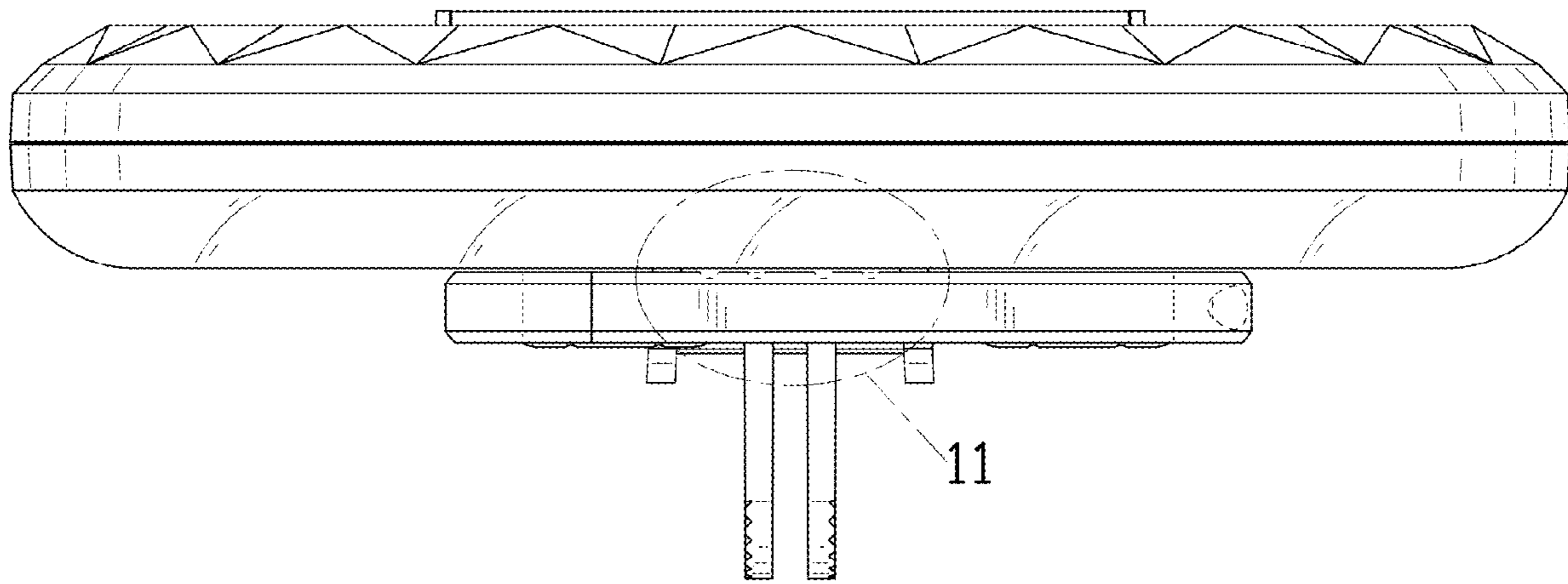


FIG. 7

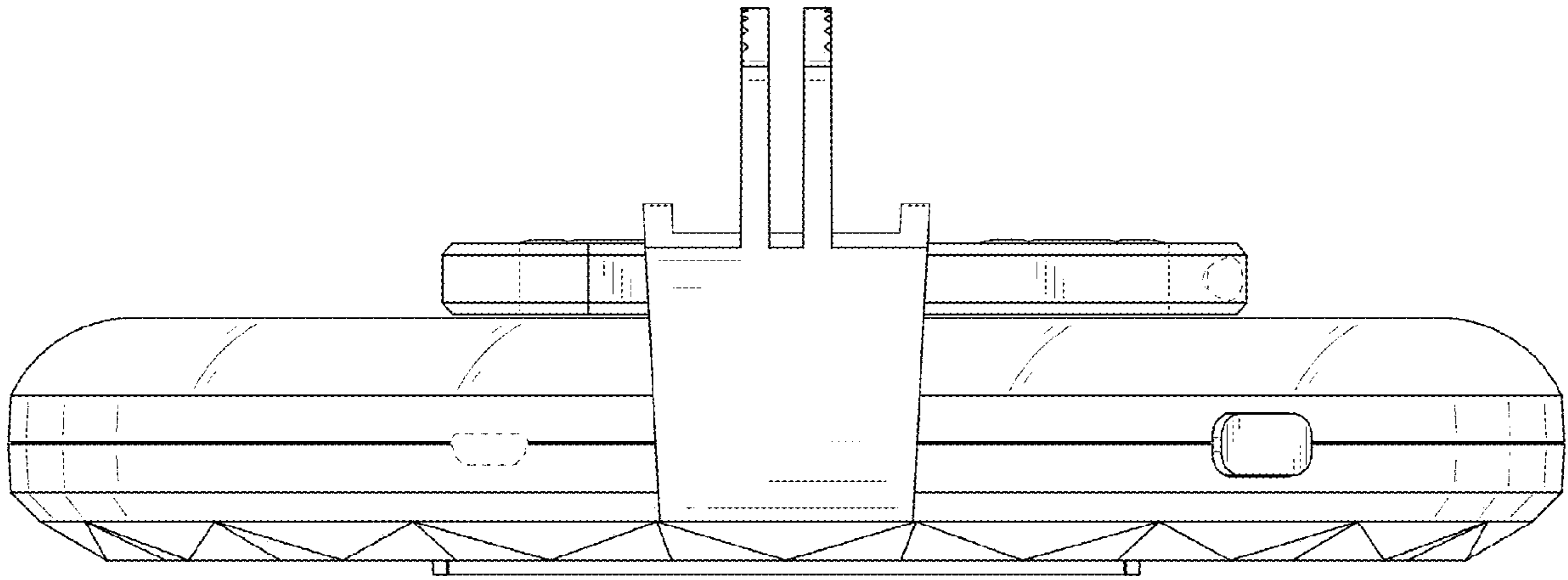


FIG. 8

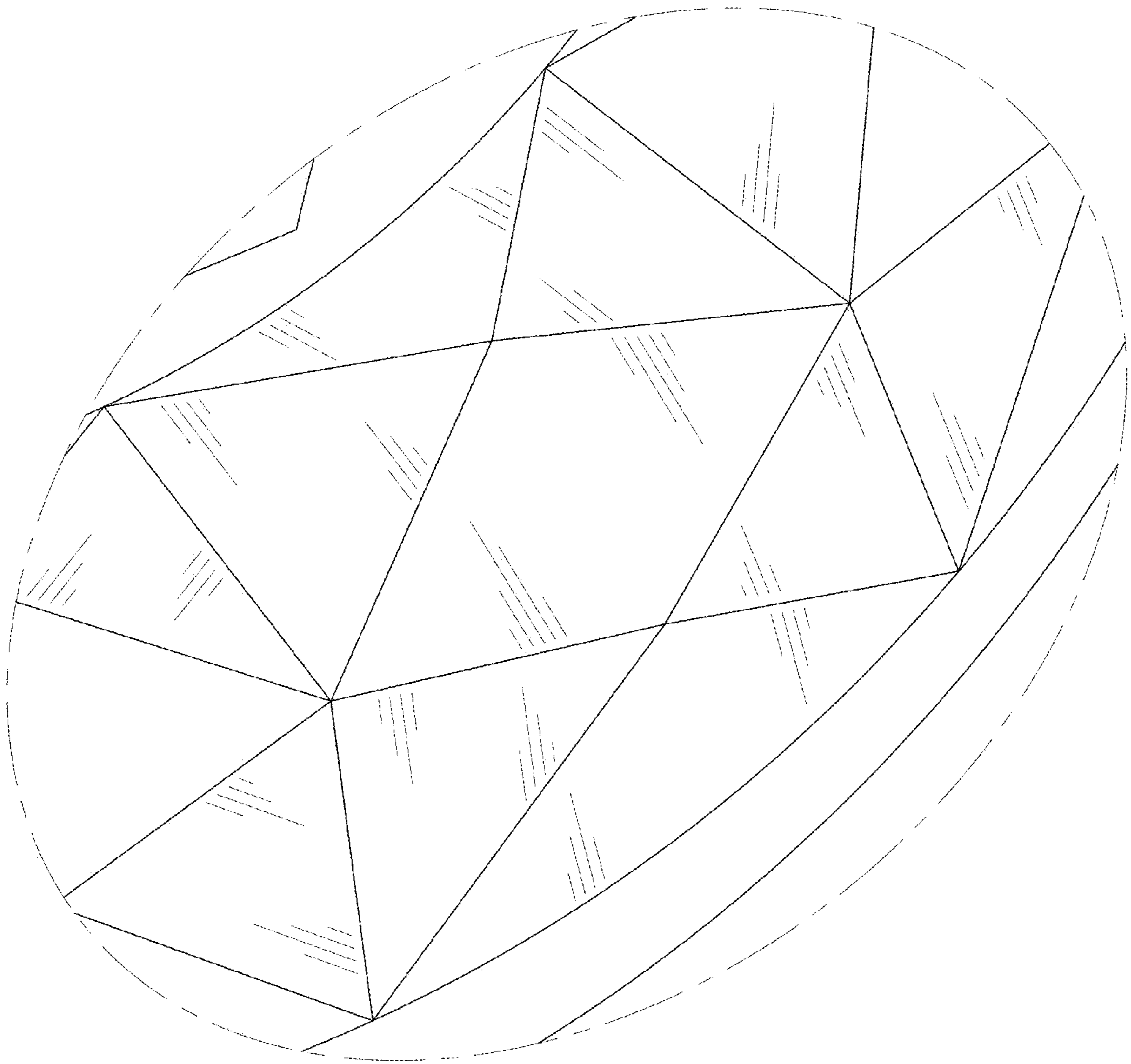


FIG. 9

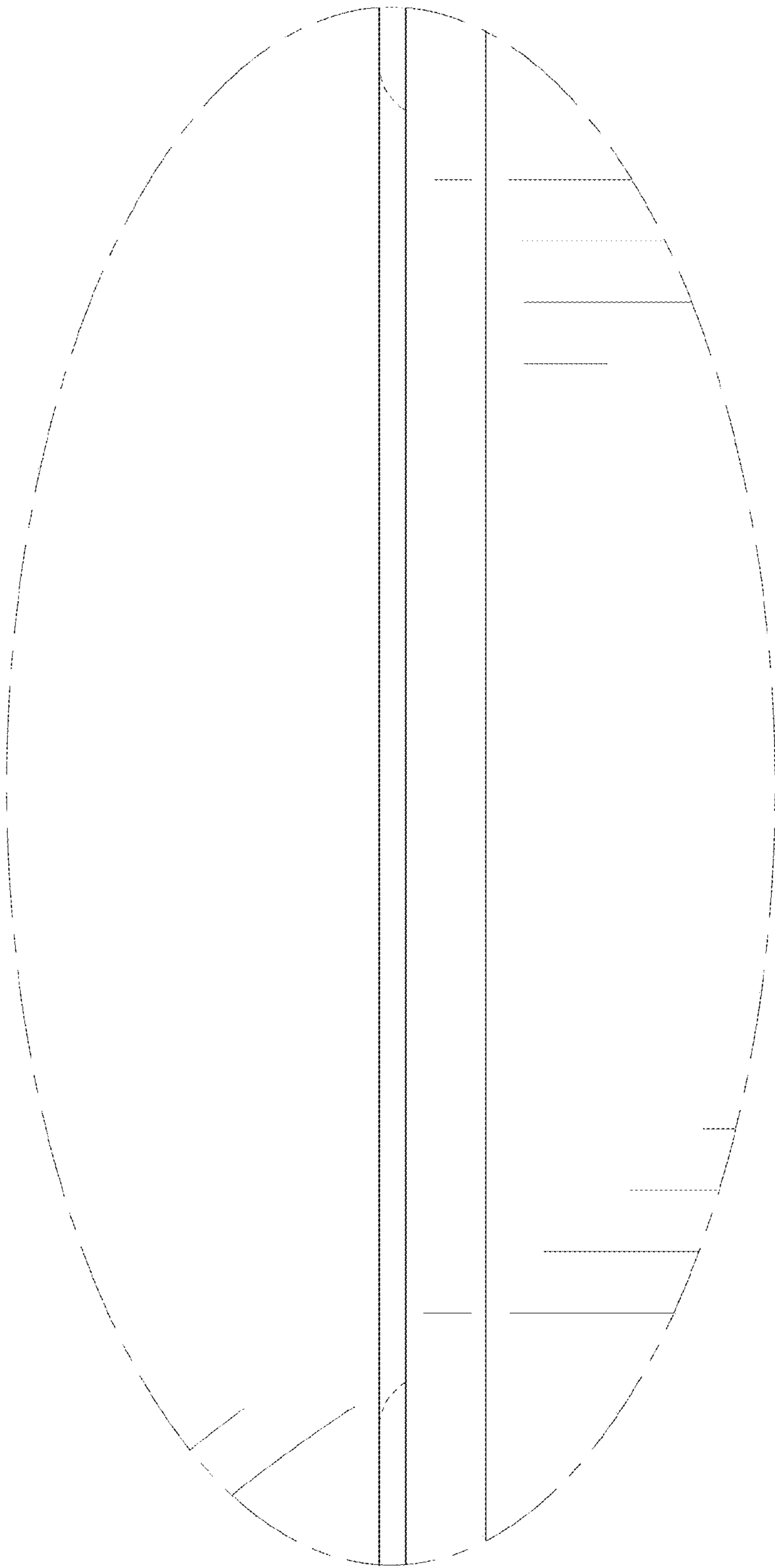


FIG. 10

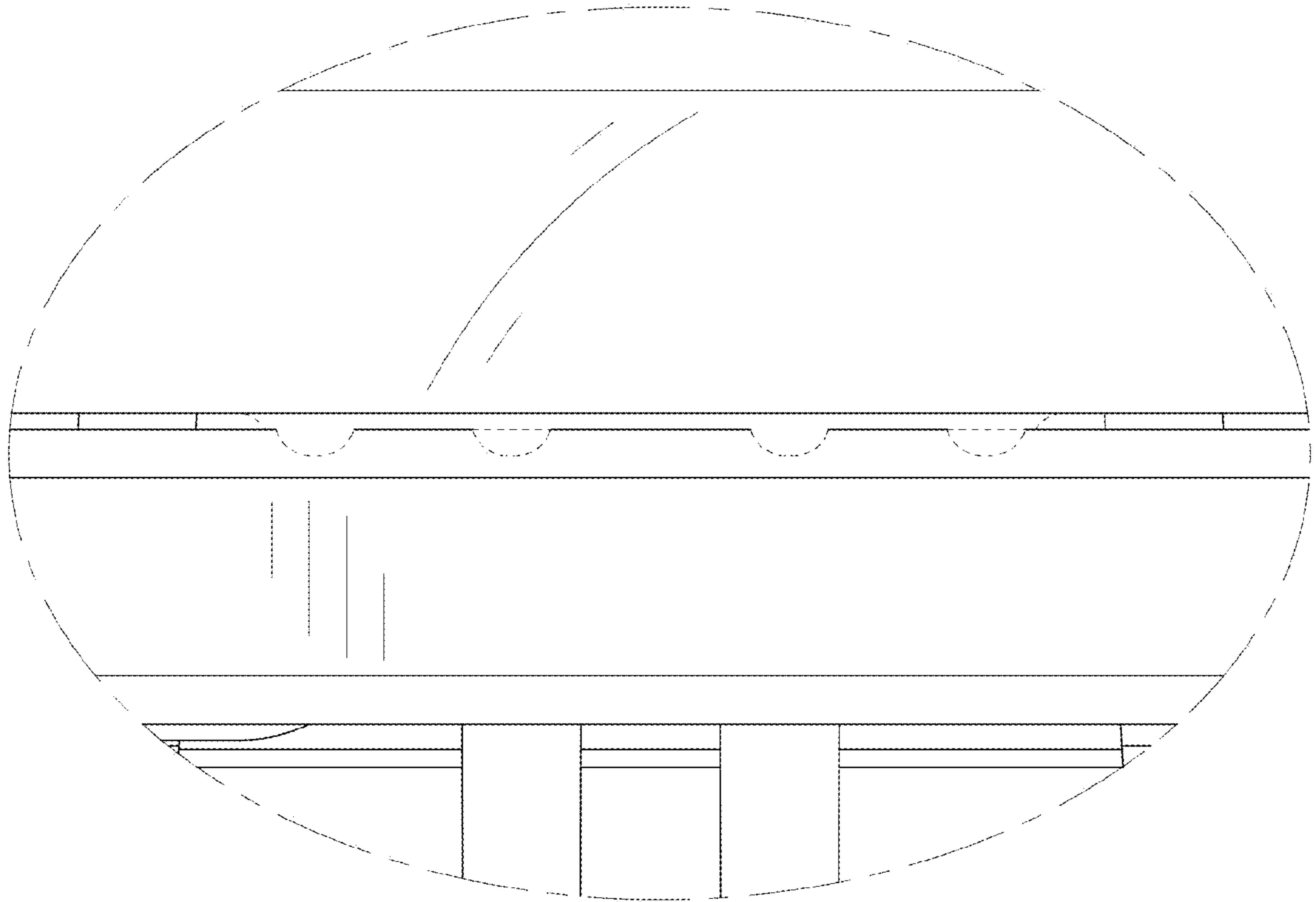


FIG. 11