



US00D984719S

(12) **United States Design Patent**  
**Xu**

(10) **Patent No.:** **US D984,719 S**  
(45) **Date of Patent:** **\*\* Apr. 25, 2023**

(54) **RING LIGHT**

(71) Applicant: **SHENZHEN YUANSU CHUANGDA TECHNOLOGY CO., LTD**, Shenzhen (CN)

(72) Inventor: **Xibin Xu**, Shenzhen (CN)

(73) Assignee: **SHENZHEN YUANSU CHUANGDA TECHNOLOGY CO., LTD**, Shenzhen (CN)

(\*\*) Term: **15 Years**

(21) Appl. No.: **29/767,975**

(22) Filed: **Jan. 27, 2021**

(30) **Foreign Application Priority Data**

Aug. 7, 2020 (CN) ..... 202030447452.0

(51) **LOC (14) Cl.** ..... **26-05**

(52) **U.S. Cl.**  
USPC ..... **D26/106**

(58) **Field of Classification Search**  
USPC ... D26/1, 24, 49, 60, 61, 63, 64, 65, 79, 92, D26/104, 106, 111, 113, 118, 120, 123, D26/124, 138; D16/136, 237, 239, 244, D16/245, 250  
CPC ..... F21S 2/00; F21S 8/00; F21S 8/03; F21S 8/36; F21S 8/043; F21V 1/00; F21V 1/06; F21V 1/08; F21V 1/12; F21V 1/20; F21V 5/00; F21V 5/043; F21V 15/01; F21V 21/00; F21V 21/14; F21V 21/30; G03B 15/03; G03B 15/05; G03B 17/56; G03B 17/565

See application file for complete search history.

(56) **References Cited**

**U.S. PATENT DOCUMENTS**

D855,242 S \* 7/2019 Chen ..... D26/106  
D877,392 S \* 3/2020 Yu ..... D26/106

D887,590 S \* 6/2020 Ke ..... D26/1  
D899,491 S \* 10/2020 Chen ..... D16/244  
D901,054 S \* 11/2020 Zhao ..... D16/237  
D901,749 S \* 11/2020 Chen ..... D16/237

(Continued)

**FOREIGN PATENT DOCUMENTS**

CN 304146974 \* 5/2017  
GB 6091731 \* 6/2020

(Continued)

**OTHER PUBLICATIONS**

UBeesize 12" Ring Light, available in <https://www.amazon.com/>, posted: Oct. 14, 2020 [online], [site visited: Dec. 14, 2022], Internet URL: [https://www.amazon.com/UBeesize-Recording & Live-Streaming-Instagram-Compatible/dp/B08L5VKNWR](https://www.amazon.com/UBeesize-Recording-&Live-Streaming-Instagram-Compatible/dp/B08L5VKNWR) (Year: 2020).\*

(Continued)

*Primary Examiner* — Sheryl Lane  
*Assistant Examiner* — Alex T. Milbrath

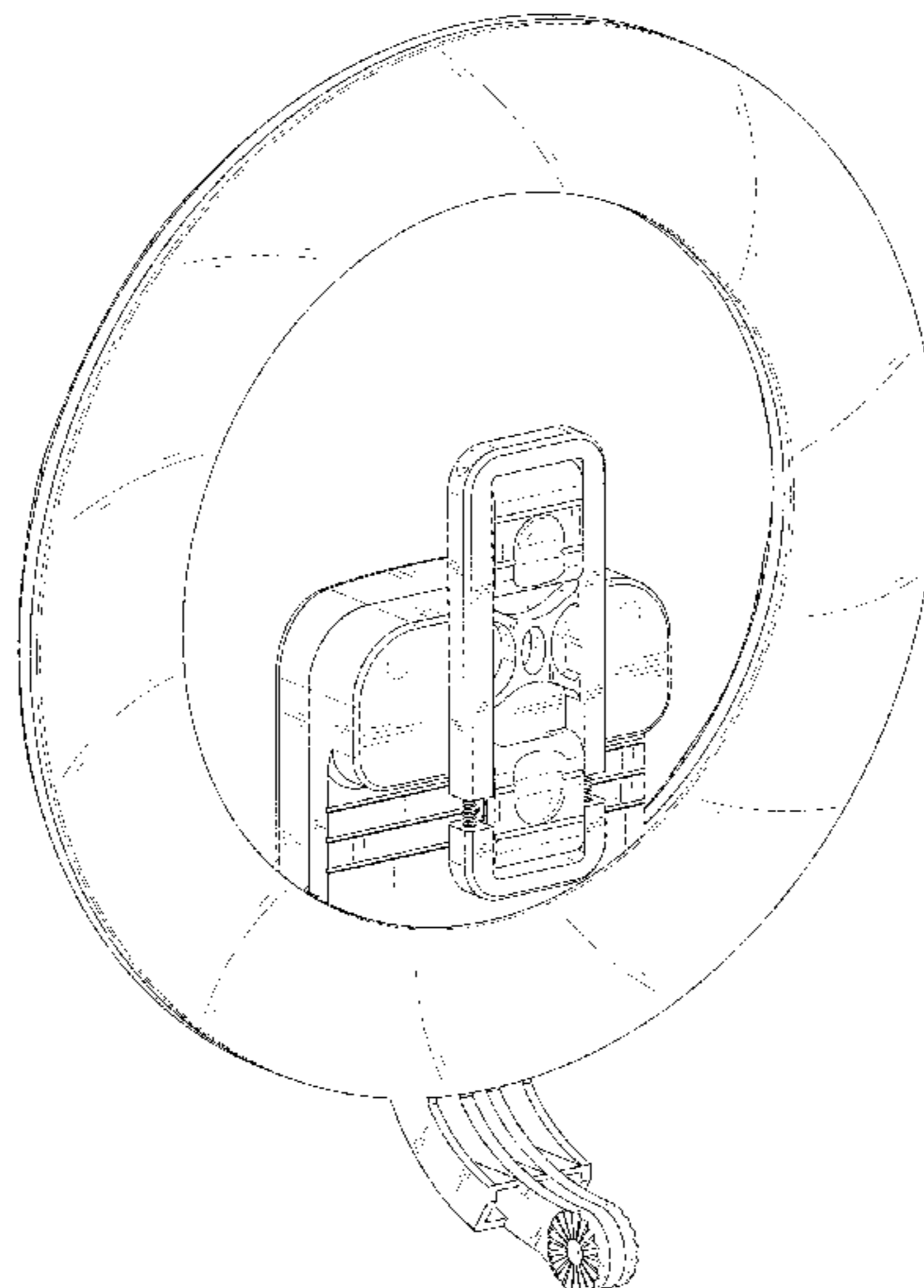
(57) **CLAIM**

The ornamental design for a ring light, as shown and described.

**DESCRIPTION**

FIG. 1 is a perspective view of a ring light showing my new design;  
FIG. 2 is another perspective view thereof;  
FIG. 3 is a front elevational view thereof;  
FIG. 4 is a rear elevational view thereof;  
FIG. 5 is a left side elevational view thereof;  
FIG. 6 is a right side elevational view thereof;  
FIG. 7 is a top plan view thereof;  
FIG. 8 is a bottom plan view thereof; and,  
FIG. 9 is an enlarged view of portion 9 shown in FIG. 7.  
The broken lines in the drawings depict portions of the ring light that form no part of the claimed design.

**1 Claim, 9 Drawing Sheets**



(56)

**References Cited**

## U.S. PATENT DOCUMENTS

D907,836 S \* 1/2021 Zhou ..... D16/237  
D950,831 S \* 5/2022 Wang ..... D26/106  
D957,714 S \* 7/2022 Hodgson ..... D26/106  
D965,835 S \* 10/2022 Lu ..... D26/63  
D971,468 S \* 11/2022 Zhu ..... D26/39  
D971,476 S \* 11/2022 Li ..... D26/65  
2020/0281054 A1 \* 9/2020 Li ..... F21S 9/02

## FOREIGN PATENT DOCUMENTS

GB 6139817 \* 5/2021  
GB 6214556 \* 6/2022

## OTHER PUBLICATIONS

QirulXinXi 10in Adjustable Ring Light, available in <https://www.amazon.com/>, posted: Sep. 1, 2021 [online], [site visited: Dec. 14, 2022], Internet URL: <https://www.amazon.com/Adjustable-Portable-Conference-Broadcast-Photography/dp/B09F6K5XXQ> (Year: 2021).\*

Elgato Ring Light, available in <https://www.amazon.com/>, posted: Sep. 28, 2020 [online], [site visited: Dec. 14, 2022], Internet URL: [https://www.amazon.com/Elgato-Ring-Light-Temperature-app-adjustable/dp/B08GMDQ87T?source=ps-sl-shoppingads-lpcontext&ref\\_=fp\\_lfs&smid=A...](https://www.amazon.com/Elgato-Ring-Light-Temperature-app-adjustable/dp/B08GMDQ87T?source=ps-sl-shoppingads-lpcontext&ref_=fp_lfs&smid=A...) (Year: 2020).\*

Eicaus 12" RGB Ring Light, available in <https://www.amazon.com/>, posted: Jun. 1, 2022 [online], [site visited: Dec. 14, 2022], Internet URL: [https://www.amazon.com/RGB-Lighting-Recording-Creative-Photography/dp/B0B2VR3C6T?source=ps-sl-shoppingads-lpcontext&ref\\_=fp\\_lfs&pvc=1&...](https://www.amazon.com/RGB-Lighting-Recording-Creative-Photography/dp/B0B2VR3C6T?source=ps-sl-shoppingads-lpcontext&ref_=fp_lfs&pvc=1&...) (Year: 2022).\*

\* cited by examiner

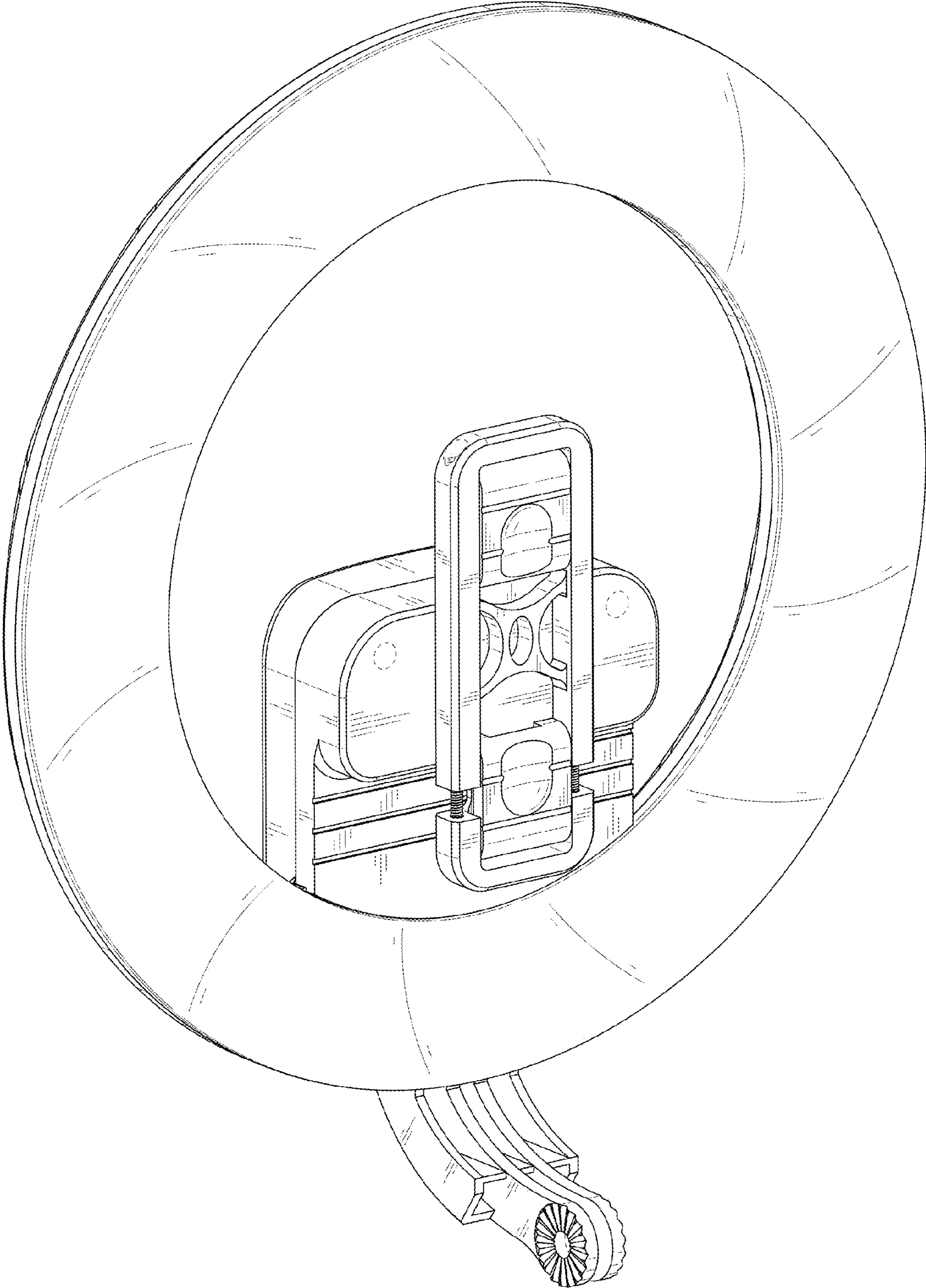


FIG. 1

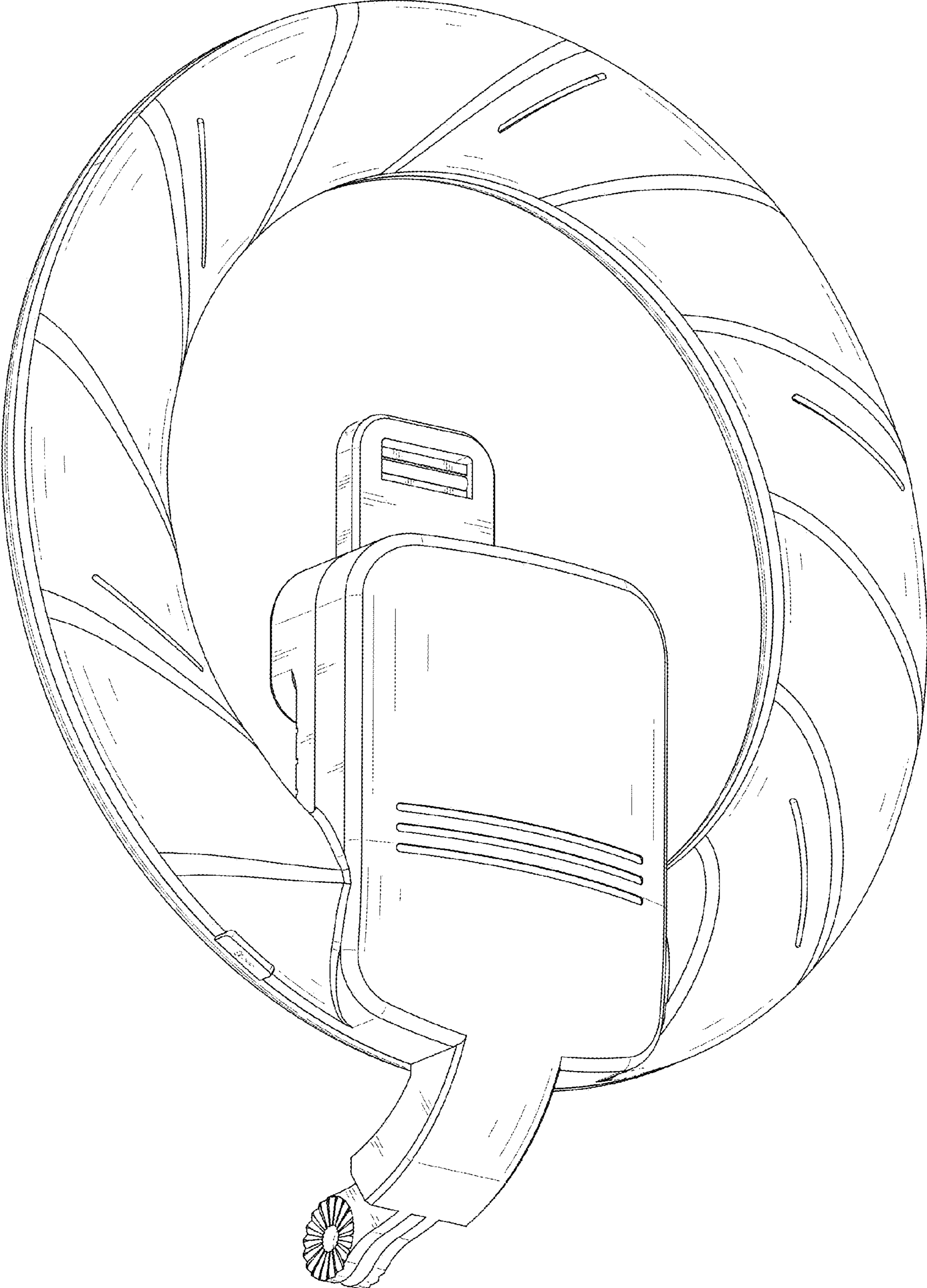


FIG. 2

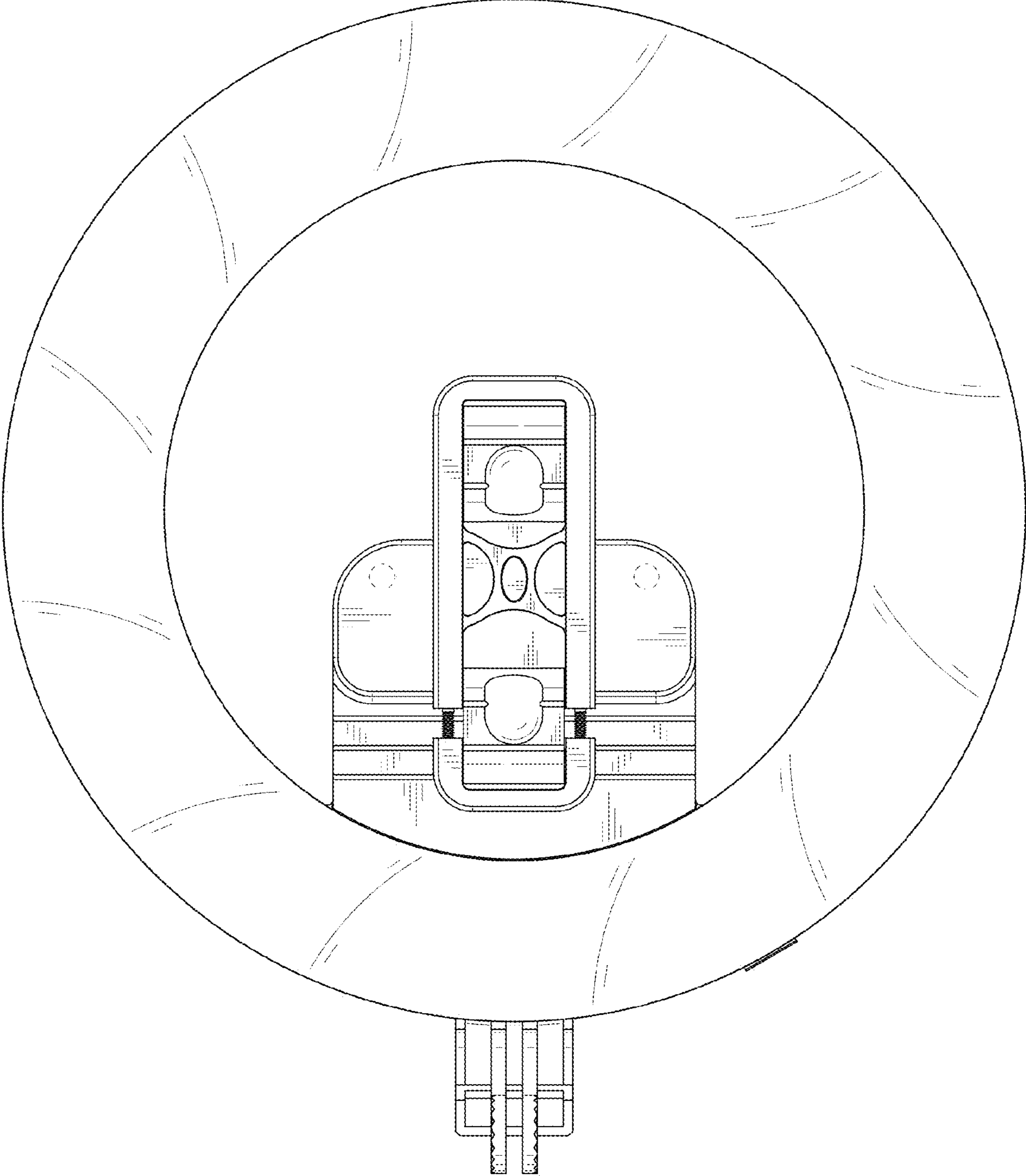


FIG. 3

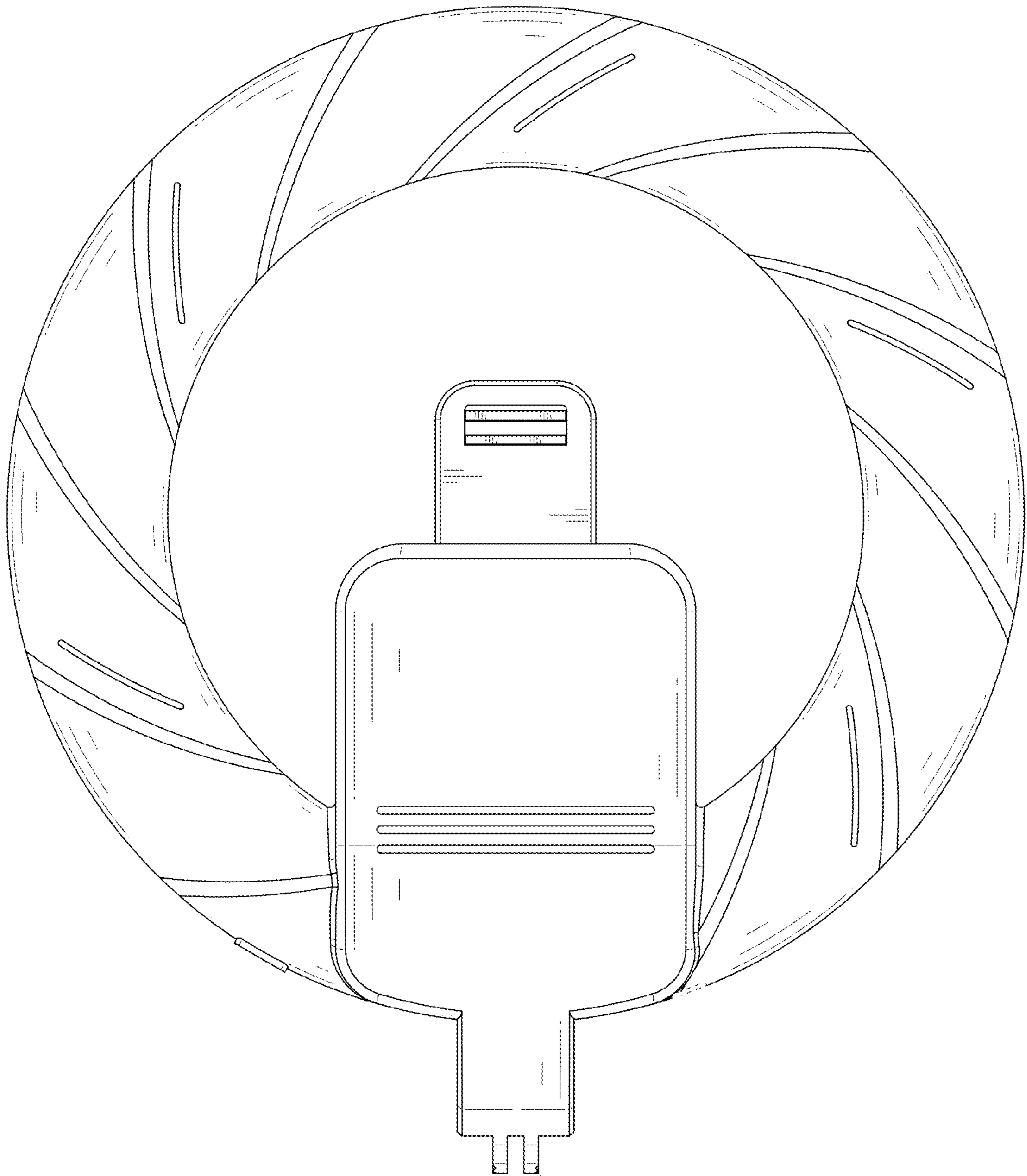


FIG. 4

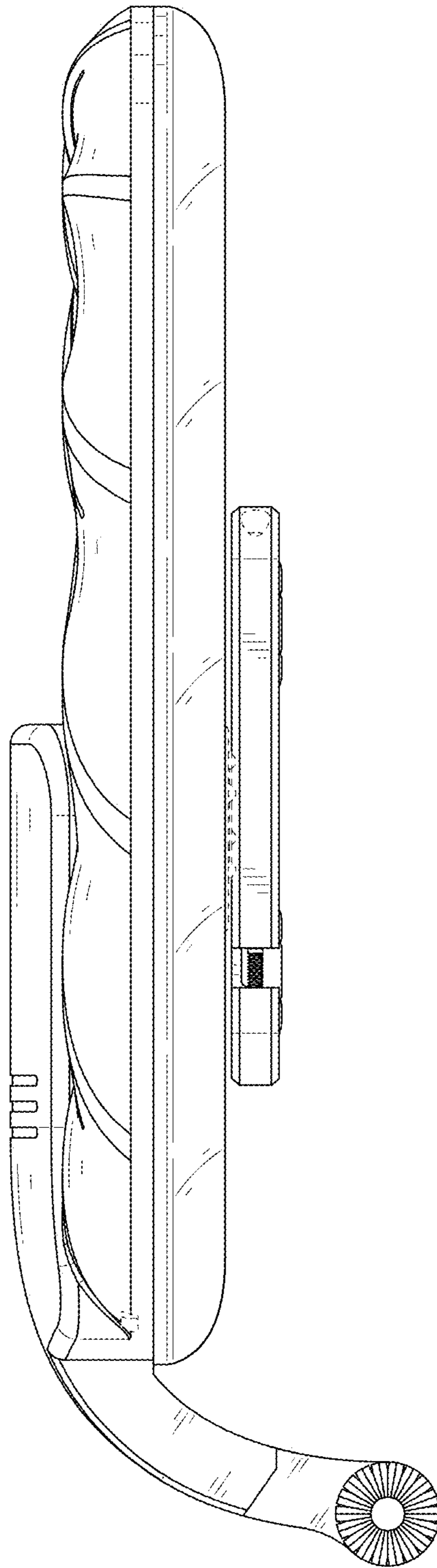


FIG. 5

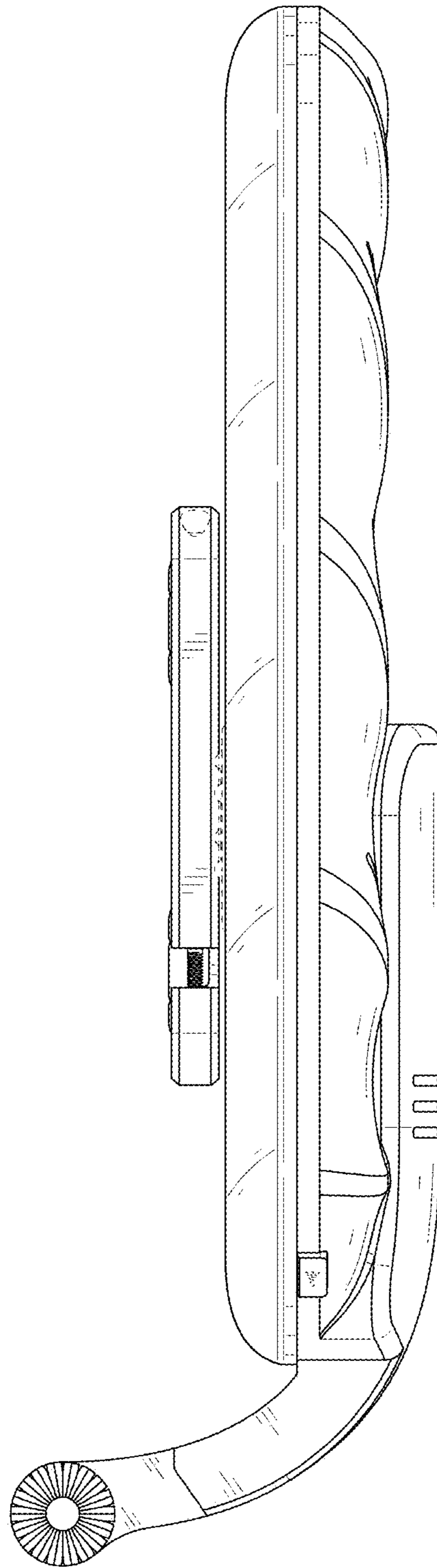


FIG. 6



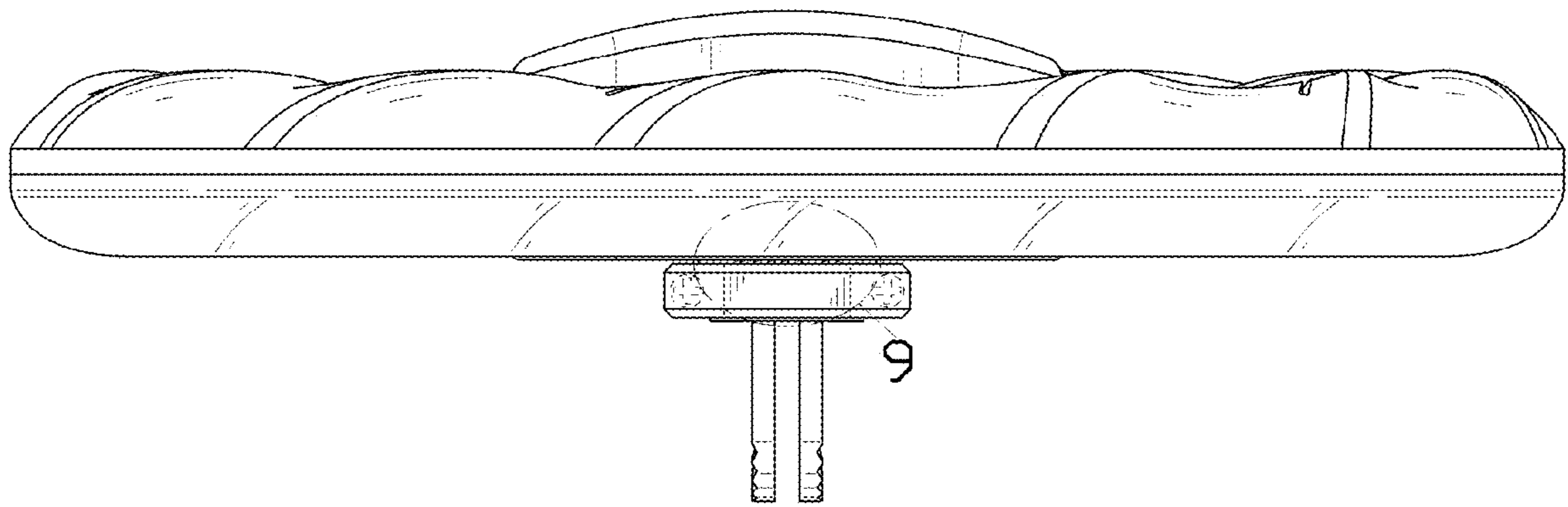


FIG. 7

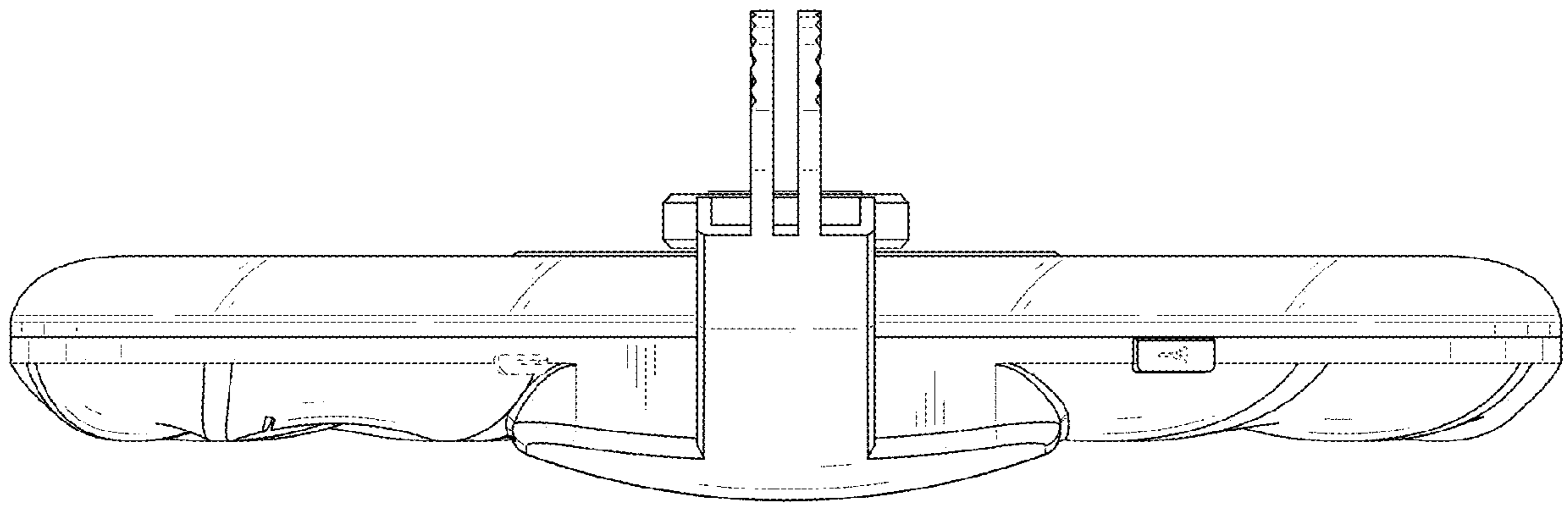


FIG. 8

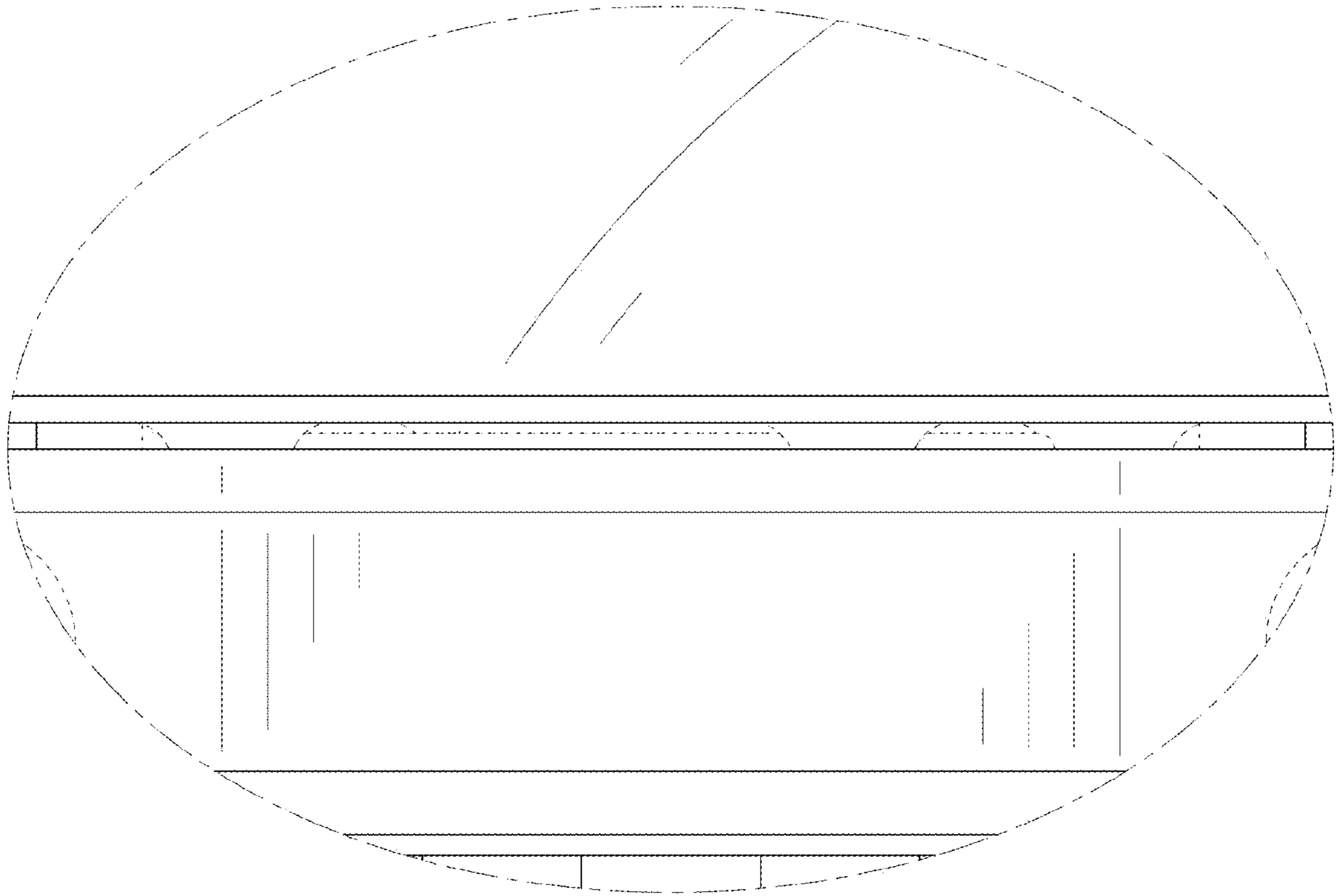


FIG. 9