



US00D984717S

(12) **United States Design Patent**
Zhao

(10) **Patent No.:** **US D984,717 S**
(45) **Date of Patent:** **** Apr. 25, 2023**

(54) **PROJECTION LAMP**

(71) Applicant: **Baoshan Zhao**, Yinchuan (CN)

(72) Inventor: **Baoshan Zhao**, Yinchuan (CN)

(**) Term: **15 Years**

(21) Appl. No.: **29/847,374**

(22) Filed: **Jul. 25, 2022**

(51) **LOC (14) Cl.** **26-05**

(52) **U.S. Cl.**

USPC **D26/93**

(58) **Field of Classification Search**

USPC D16/221, 222; D26/24, 72, 73, 85-88,
D26/93, 102, 104-106, 108-110, 112

CPC F21S 4/00; F21S 4/10; F21S 4/20; F21S
6/00; F21S 6/002; F21S 6/003; F21V
21/02; F21V 21/06; F21V 21/10; F21V
21/14; F21V 21/28

See application file for complete search history.

(56) **References Cited**

U.S. PATENT DOCUMENTS

- 4,515,570 A * 5/1985 Beltran A63H 33/18
446/485
- D374,189 S * 10/1996 Hubben F21V 3/049
D10/106.6
- D576,338 S * 9/2008 Levine D26/85
- D586,937 S * 2/2009 Klein D26/104
- D600,729 S * 9/2009 Takishima D16/135
- D665,437 S * 8/2012 Johnson, Jr. A63H 33/18
D16/130
- D699,387 S * 2/2014 Snell D26/124
- D889,012 S 6/2020 Lin
- D891,683 S 7/2020 Wei
- D900,293 S * 10/2020 Ediger D23/370
- D900,376 S * 10/2020 Wang D26/104
- D901,747 S * 11/2020 Lin D26/106
- D905,316 S * 12/2020 Bie D26/93
- D919,875 S * 5/2021 Peng D26/110
- D919,876 S * 5/2021 Ouyang D26/110

- D923,237 S 6/2021 Tan
- D927,751 S * 8/2021 Zheng D26/94
- D944,432 S * 2/2022 Li D26/93
- D946,195 S * 3/2022 Zhong D26/67
- D948,768 S * 4/2022 Ouyang D26/110
- D951,522 S * 5/2022 Xiong D26/110

(Continued)

FOREIGN PATENT DOCUMENTS

EM 009096530-0001 * 7/2022

OTHER PUBLICATIONS

One Fire Galaxy Starlight Projector, first available May 31, 2021, retrieved Jan. 18, 2023 from URL: <https://www.amazon.com/dp/B0968G6W62/?th=1> (Year: 2021).*

(Continued)

Primary Examiner — Richard Kearney

Assistant Examiner — Christina M. Dodson

(74) *Attorney, Agent, or Firm* — Rumit Ranjit Kanakia

(57) **CLAIM**

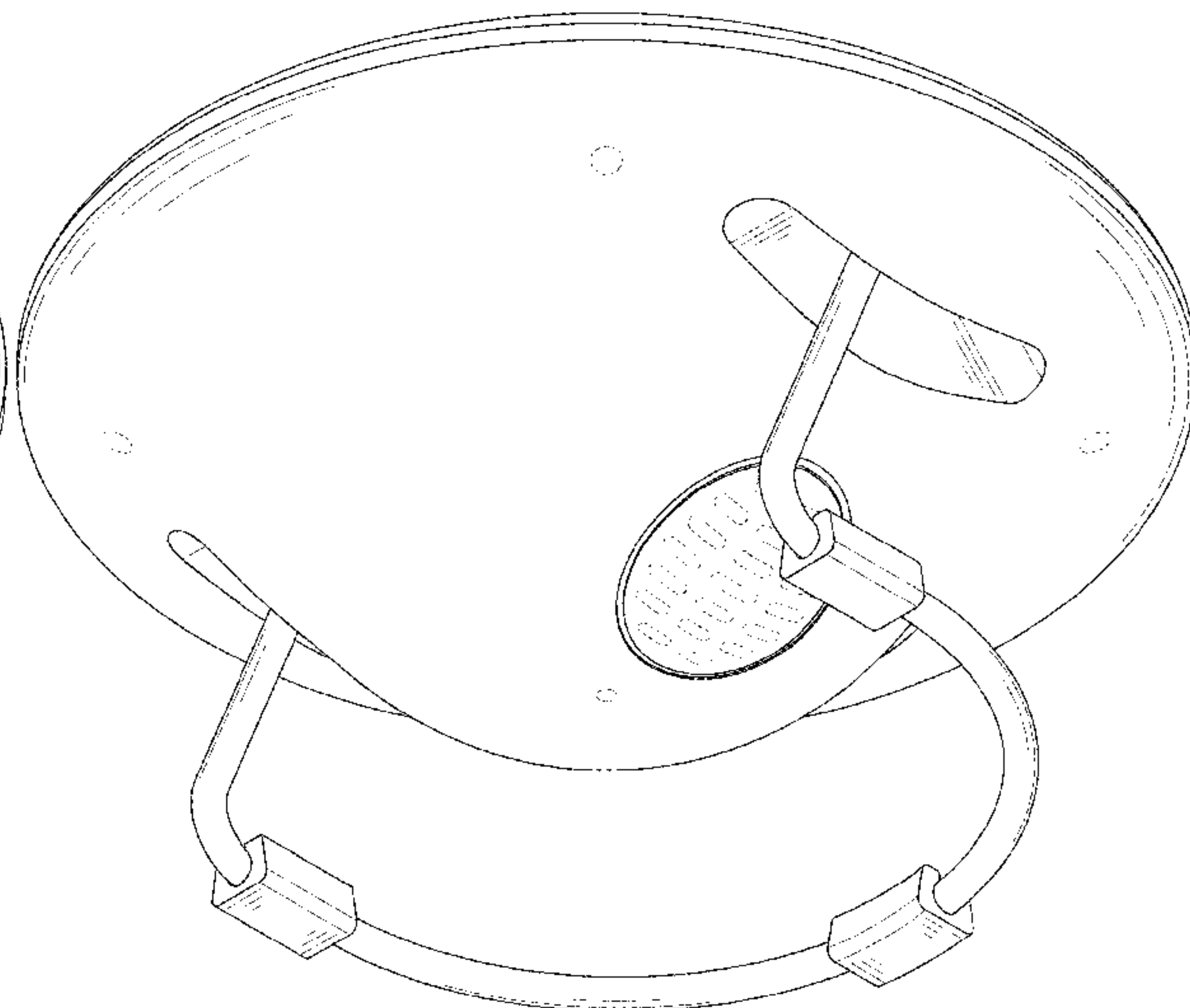
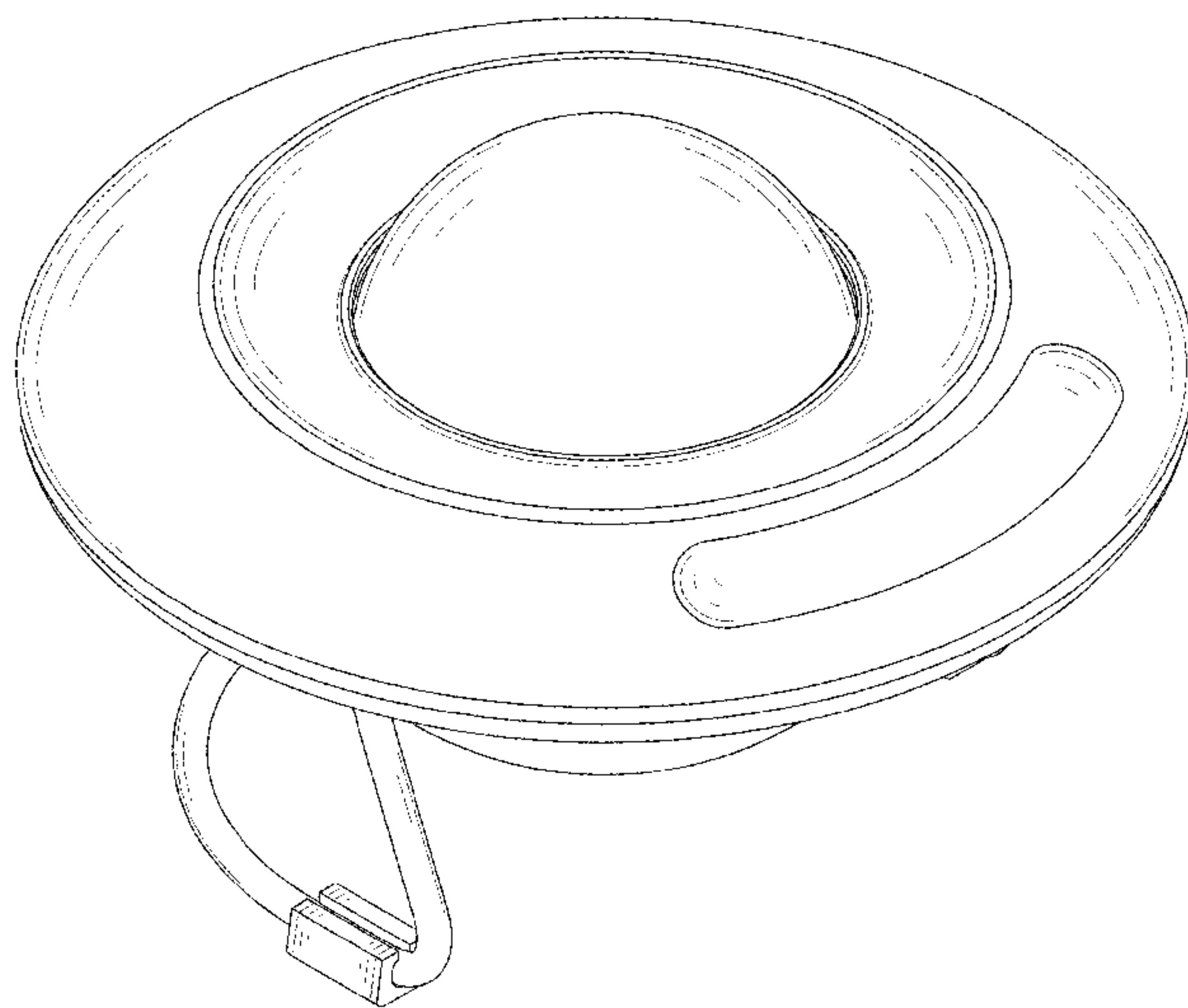
The ornamental design for a projection lamp, as shown and described.

DESCRIPTION

FIG. 1 is a first perspective view of a projection lamp showing my new design; FIG. 2 is a second perspective view thereof; FIG. 3 is a front view thereof; FIG. 4 is a back view thereof; FIG. 5 is a left side view thereof; FIG. 6 is a right side view thereof; FIG. 7 is a top view thereof; and, FIG. 8 is a bottom view thereof.

The broken lines shown in the drawings depict portions of the projection lamp that form no part of the claimed design.

1 Claim, 8 Drawing Sheets



(56)

References Cited

U.S. PATENT DOCUMENTS

D959,728	S *	8/2022	Li	D26/104
D962,532	S *	8/2022	He	D26/104
D963,234	S *	9/2022	Ye	D26/110
D963,929	S *	9/2022	Li	D26/106
D972,198	S *	12/2022	Fu	D26/104
D975,054	S *	1/2023	Feng	D14/216
2018/0092192	A1 *	3/2018	Arai	F21V 3/049
2021/0364142	A1 *	11/2021	Zheng	F21V 3/049

OTHER PUBLICATIONS

NXTNTC Star Projector Light, first available Aug. 3, 2022, retrieved Jan. 18, 2023 from URL: <https://www.amazon.com/Projector-Bluetooth-Speaker-Function-Lighting/dp/B0B8HL7PDX/?th=1> (Year: 2022).*

* cited by examiner

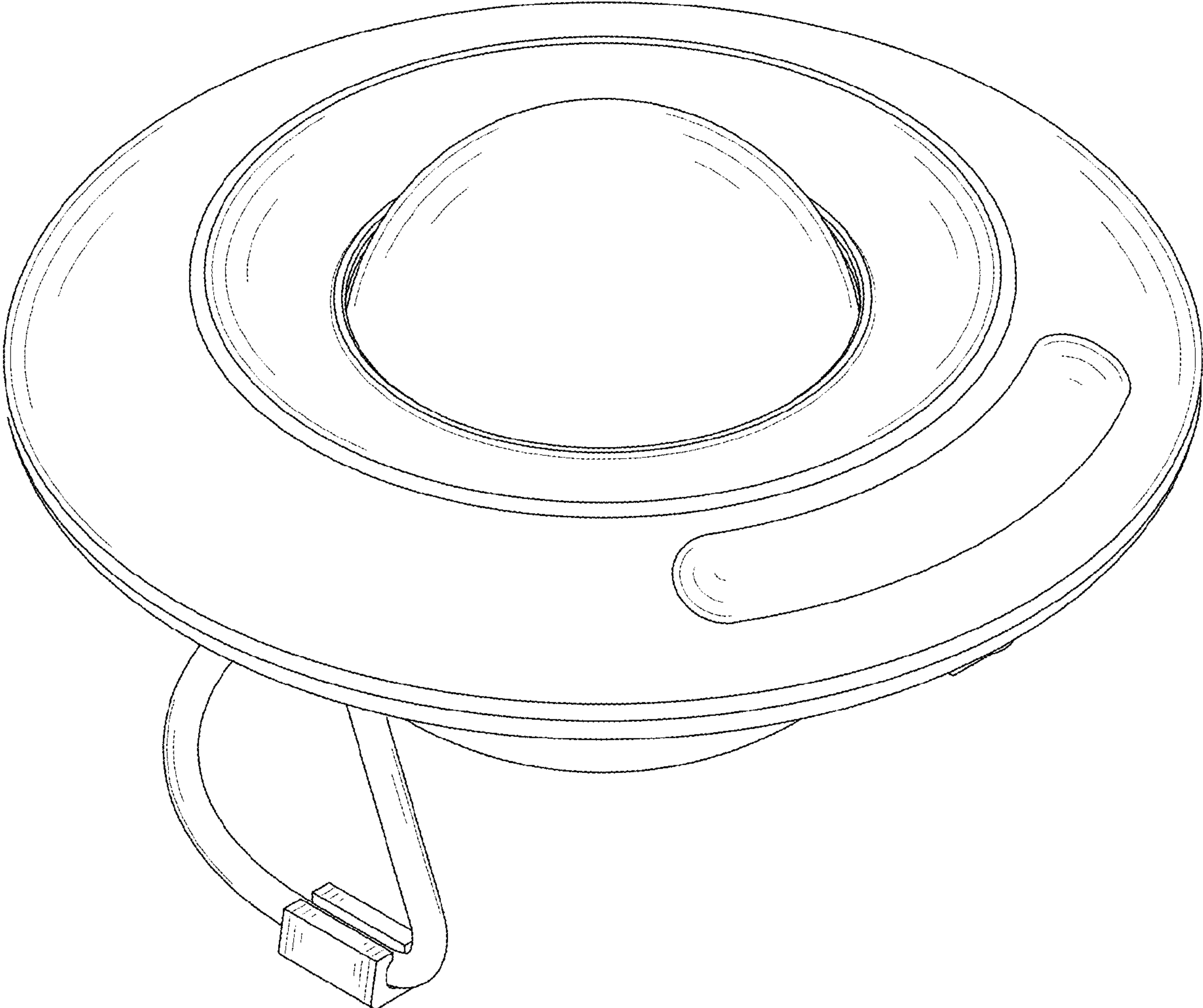


FIG. 1

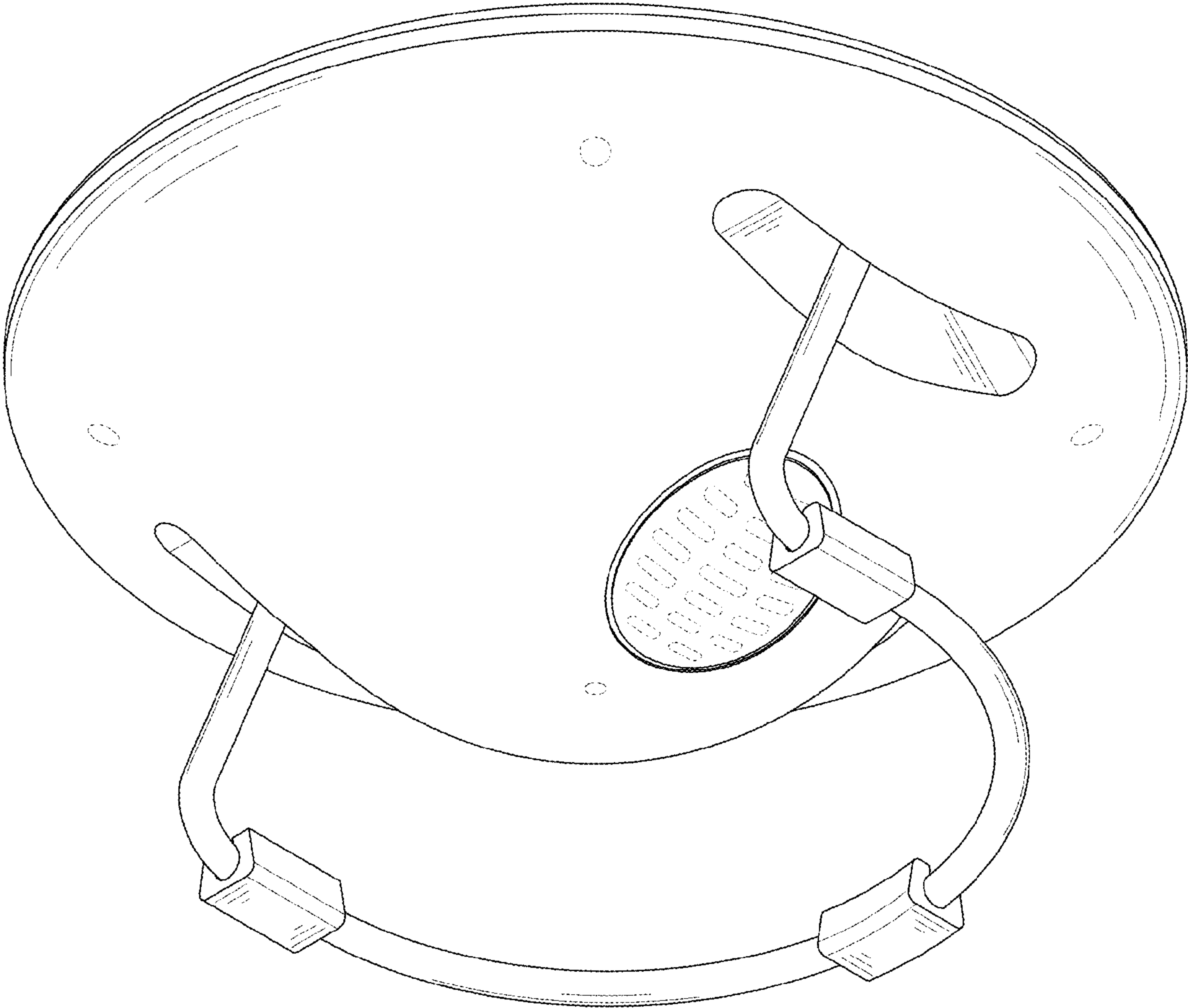


FIG. 2

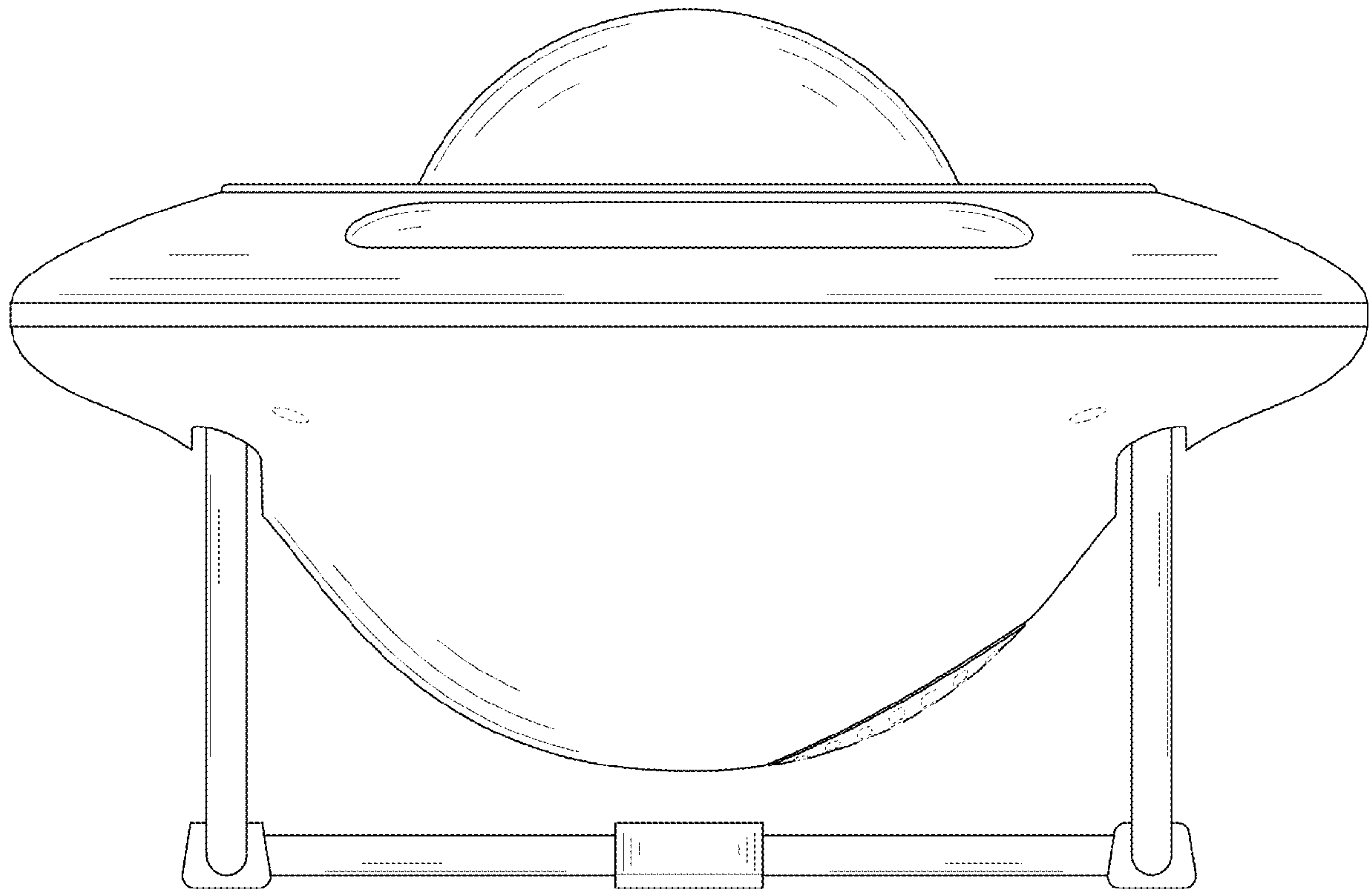


FIG. 3

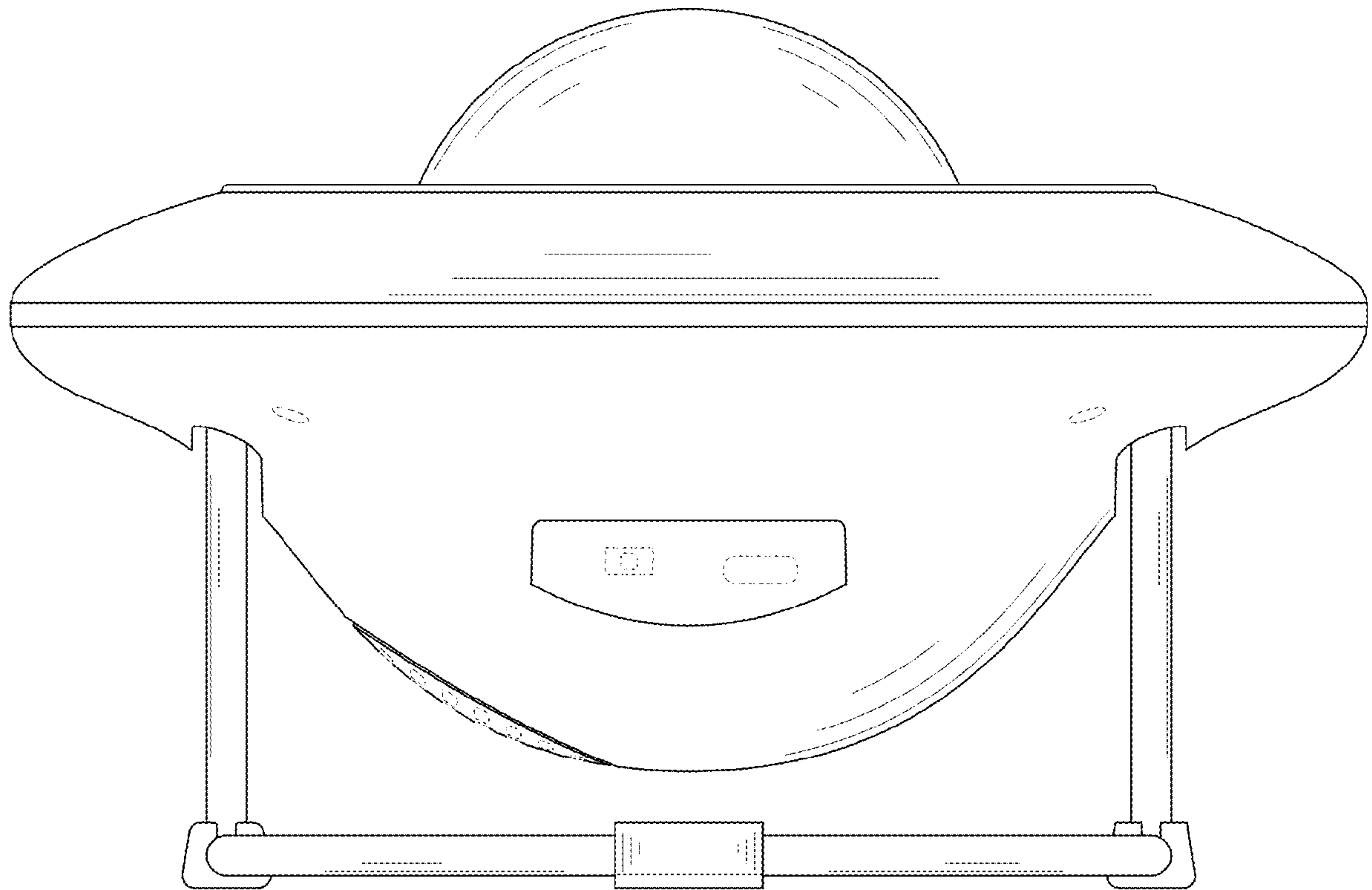


FIG. 4

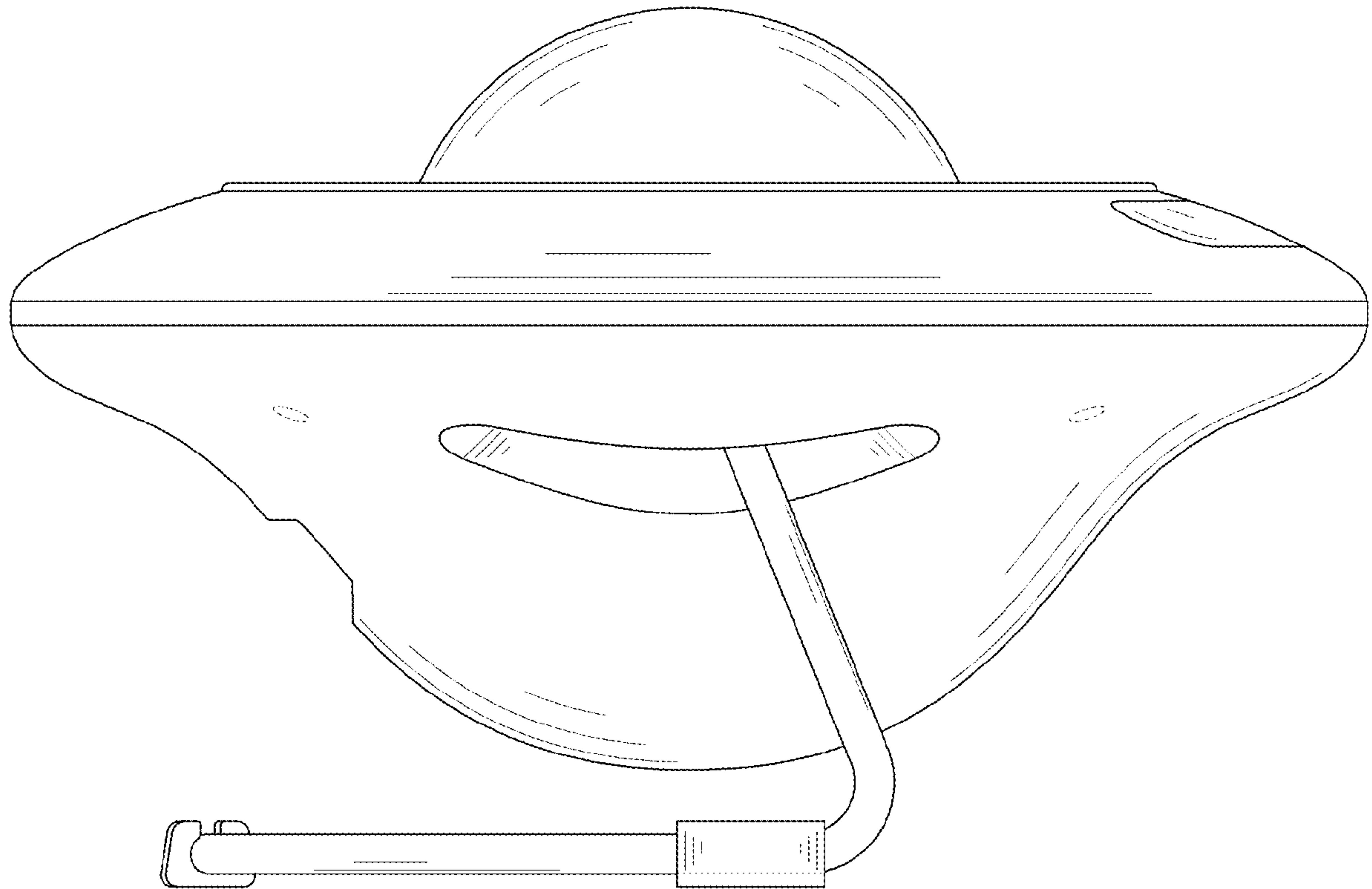


FIG. 5

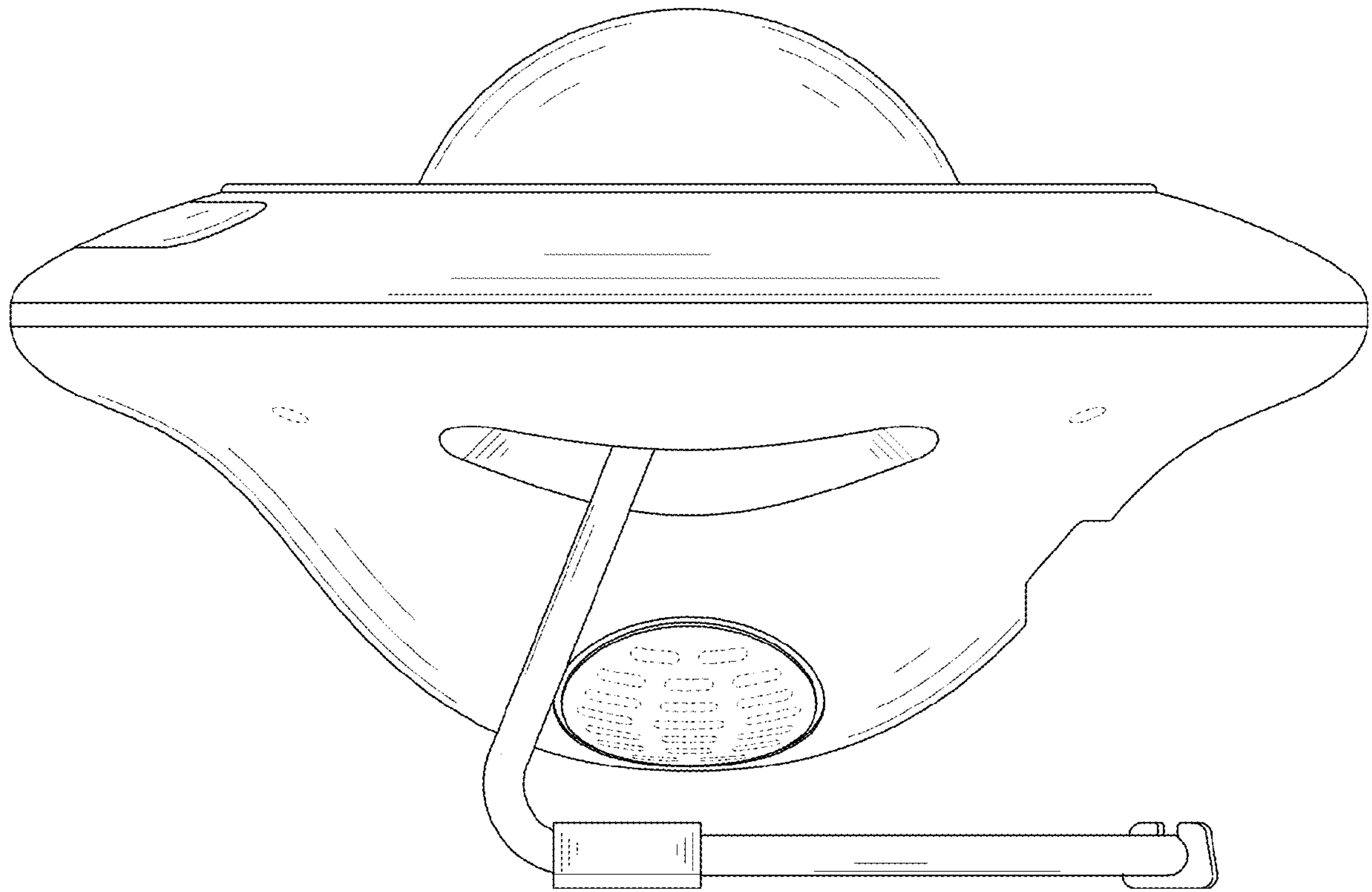


FIG. 6

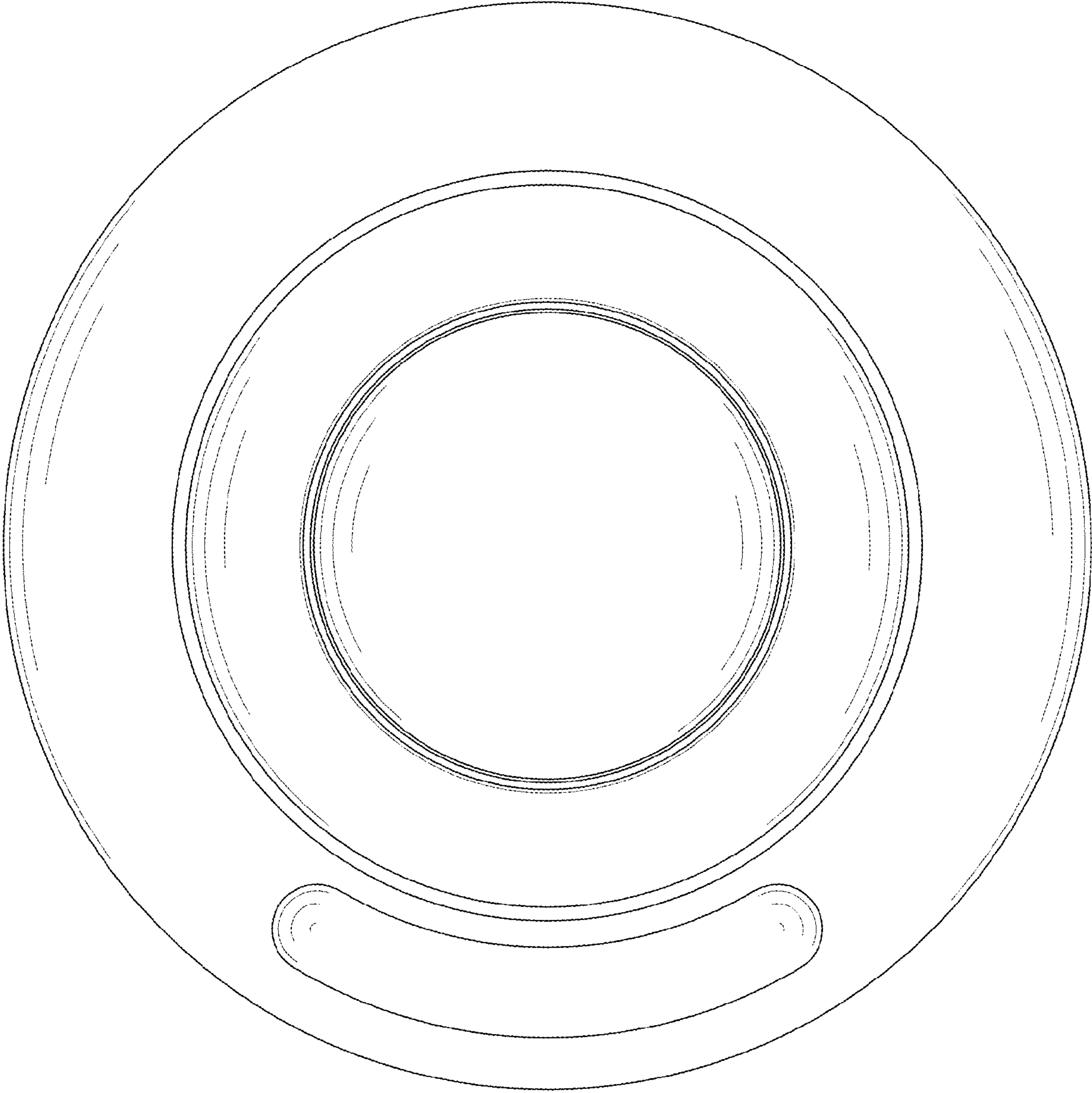


FIG. 7

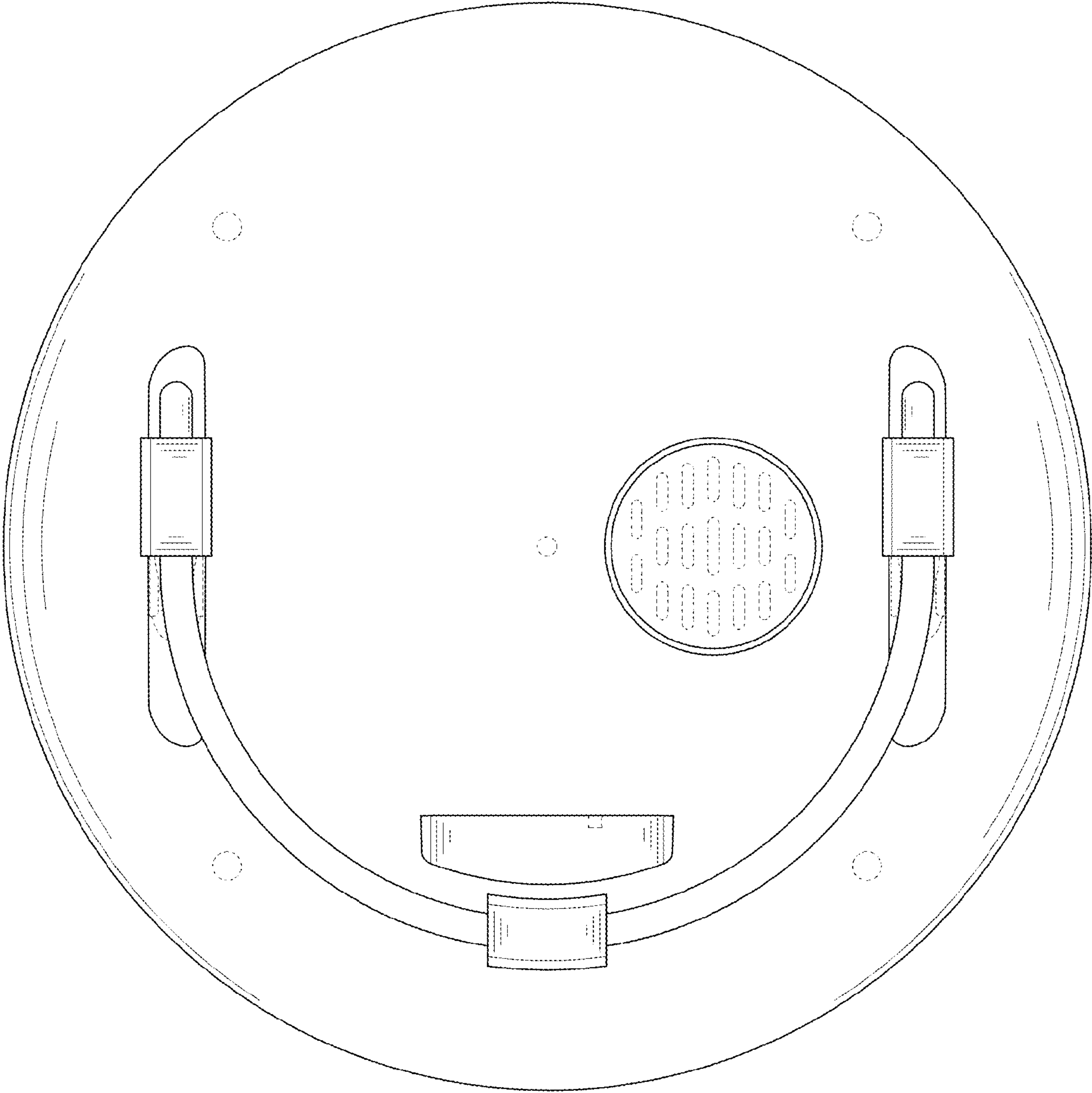


FIG. 8