



US00D984716S

(12) **United States Design Patent**  
**Amato et al.**

(10) **Patent No.:** **US D984,716 S**  
(45) **Date of Patent:** **\*\* Apr. 25, 2023**

(54) **LIGHTING FIXTURE**

(71) Applicant: **The Urban Electric Company**, North Charleston, SC (US)

(72) Inventors: **Michael Amato**, London (GB); **David Dawson**, Charleston, SC (US); **Joeangel Casanova**, Brooklyn, NY (US); **Jonathan Charpia**, Summerville, SC (US); **Brianna Magagnoli**, North Charleston, SC (US); **Janis Golubeckis**, Mount Pleasant, SC (US)

(73) Assignee: **The Urban Electric Company**, North Charleston, SC (US)

(\*\*) Term: **15 Years**

(21) Appl. No.: **29/814,814**

(22) Filed: **Nov. 9, 2021**

(51) **LOC (14) Cl.** ..... **26-05**

(52) **U.S. Cl.**  
USPC ..... **D26/88**

(58) **Field of Classification Search**  
USPC ..... D26/80–90, 92, 119, 128  
CPC .... F21S 8/04; F21S 8/043; F21S 8/046; F21S 8/06; F21S 8/061; F21S 8/063; F21S 8/065; F21S 8/066; F21S 8/068  
See application file for complete search history.

(56) **References Cited**

**U.S. PATENT DOCUMENTS**

D125,317 S *	2/1941	Sabatini	.....	D26/88
D300,373 S *	3/1989	Galipeau	.....	D26/85
D382,079 S *	8/1997	Porter	.....	D26/87
D588,298 S *	3/2009	Sabernig	.....	D26/88
D675,371 S *	1/2013	Nowak	.....	D26/128
D749,769 S *	2/2016	Krogman	.....	D26/88
D822,259 S *	7/2018	Fang	.....	D26/87
D837,441 S *	1/2019	Odgaard	.....	D26/88
D846,178 S *	4/2019	Gambrel	.....	D26/88

D851,810 S *	6/2019	Workman	.....	D26/88
D869,734 S *	12/2019	Babutzka	.....	D26/88
D869,735 S *	12/2019	Babutzka	.....	D26/88
D876,696 S *	2/2020	Holmes	.....	D26/59
D891,671 S *	7/2020	Amato	.....	D26/82

(Continued)

**OTHER PUBLICATIONS**

Vereinigte Werkstätten, Metal Ceiling Lamp with a Brass Grid. First available circa 1970. Searched Feb. 6, 2023. [[https://www.1stdibs.com/furniture/lighting/chandeliers-pendant-lights/elegant-large-metal-ceiling-lamp-brass-grid-vereinigte-werkstatten/id-f\\_19051902/](https://www.1stdibs.com/furniture/lighting/chandeliers-pendant-lights/elegant-large-metal-ceiling-lamp-brass-grid-vereinigte-werkstatten/id-f_19051902/)] (Year: 1970).\*

(Continued)

*Primary Examiner* — W. A. Teddy Falloway

*Assistant Examiner* — Melissa Adriane Santos

(74) *Attorney, Agent, or Firm* — Haynsworth Sinkler Boyd, P.A.

(57) **CLAIM**

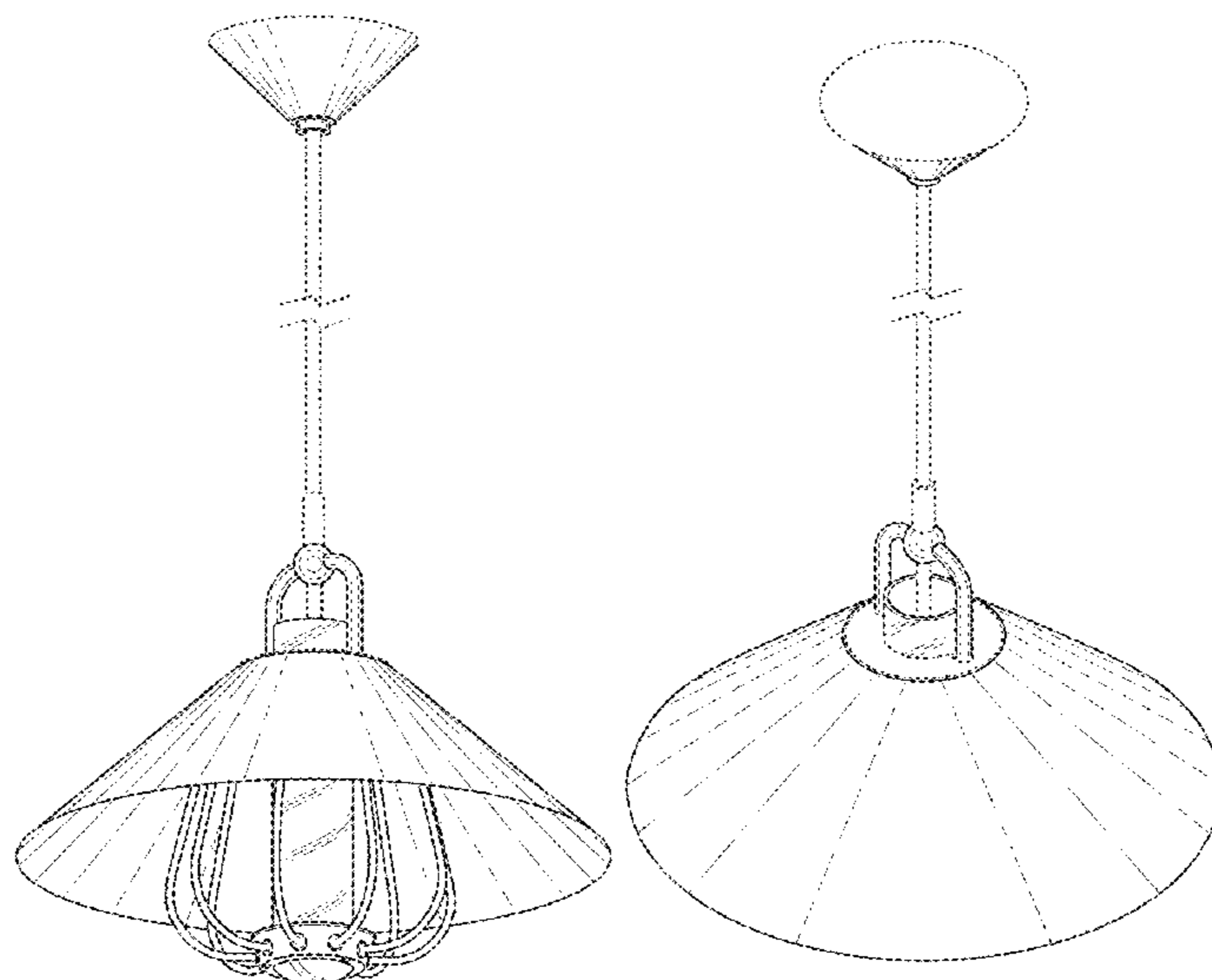
The ornamental design for a lighting fixture, as shown and described.

**DESCRIPTION**

FIG. 1 is a bottom perspective view of a lighting fixture depicting a new design;  
FIG. 2 is a top perspective view thereof;  
FIG. 3 is a front elevational view thereof;  
FIG. 4 is a back elevational view thereof;  
FIG. 5 is a left elevational view thereof;  
FIG. 6 is a right elevational view thereof;  
FIG. 7 is a top plan view thereof; and,  
FIG. 8 is a bottom plan view thereof.

The break lines shown in the drawings indicate that the appearance of any portion of the lighting fixture between the break lines forms no part of the claimed design. The broken line disclosures in the views represent portions of the lighting fixture that form no part of the claimed design.

**1 Claim, 8 Drawing Sheets**



(56)

**References Cited**

U.S. PATENT DOCUMENTS

D892,385 S	*	8/2020	Browning	.....	D26/88
D893,795 S	*	8/2020	Amato	.....	D26/118
D922,660 S	*	6/2021	Amato	.....	D26/88
D950,827 S	*	5/2022	Amato	.....	D26/81
D952,216 S	*	5/2022	Wang	.....	D26/41
D953,605 S	*	5/2022	Chen	.....	D26/88
D955,610 S	*	6/2022	Diez	.....	D26/85
D965,201 S	*	9/2022	Cai	.....	D26/87
D970,083 S	*	11/2022	Richardson	.....	D26/88
D970,085 S	*	11/2022	Hoover	.....	D26/88

OTHER PUBLICATIONS

Lark by Hinkley, Milo Pendant Light. First available unknown. Searched Feb. 6, 2023. [<https://www.homedepot.com/p/Milo-1-Light-Lacquered-Brass-with-Matte-Navy-Accents-Shaded-Pendant-84437LCB-MV/323560175>] (Year: 2023).\*

1st Dibs, Danish Modern Pendant Fixture. First available circa 1960s. Searched Feb. 6, 2023. [[https://www.1stdibs.com/furniture/lighting/chandeliers-pendant-lights/danish-modern-pendant-fixture-green-brass-details/id-f\\_21244462/](https://www.1stdibs.com/furniture/lighting/chandeliers-pendant-lights/danish-modern-pendant-fixture-green-brass-details/id-f_21244462/)] (Year: 1960).\*

LuxCabra, Harlem Grid Pendant Lamp. First available unknown. Searched Feb. 6, 2023. [<https://4home-store.com/en/pendant-lamps/2877-vintage-pendant-lamp-harlem-grid.html>] (Year: 2023).\*

\* cited by examiner

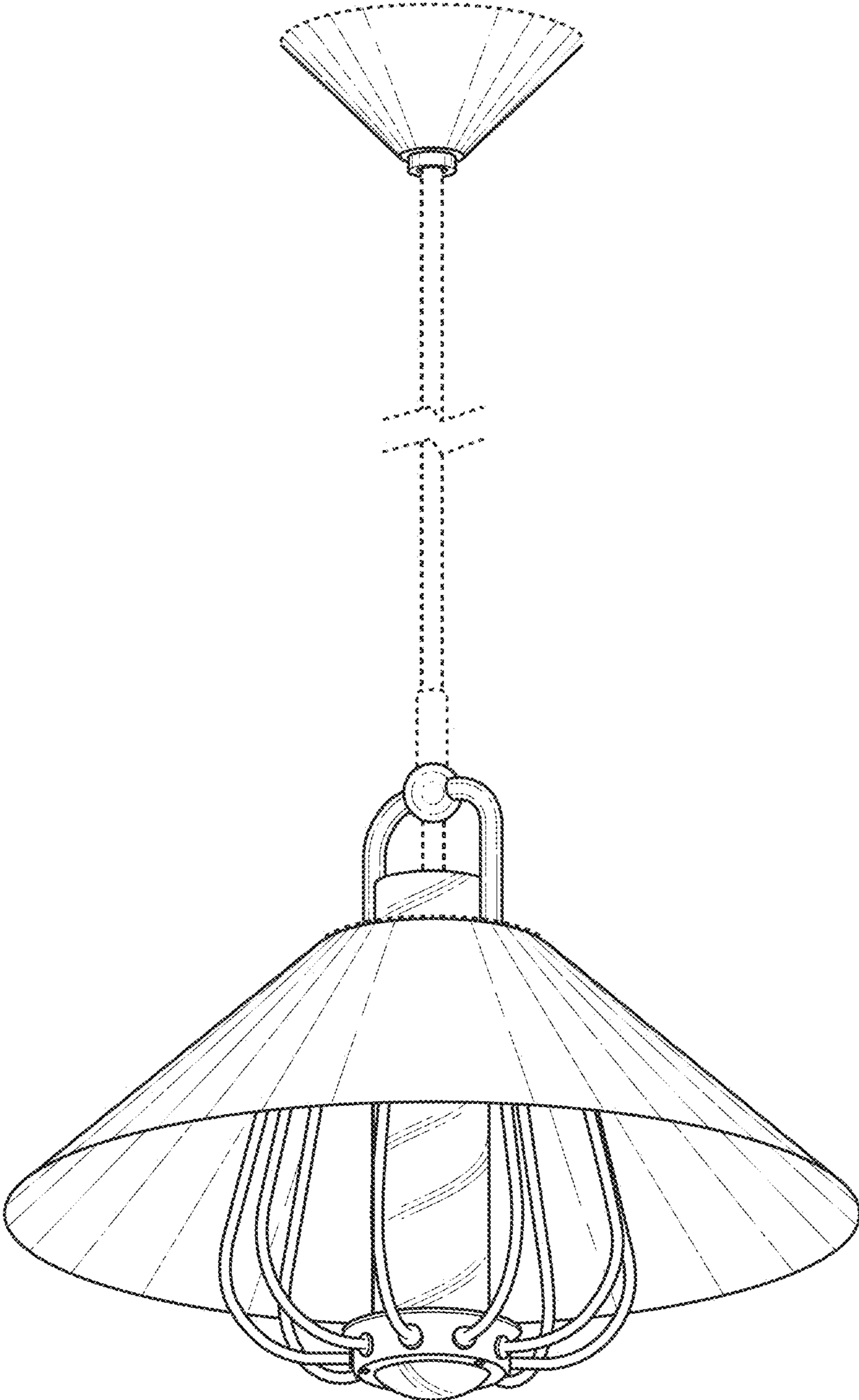


FIG. 1

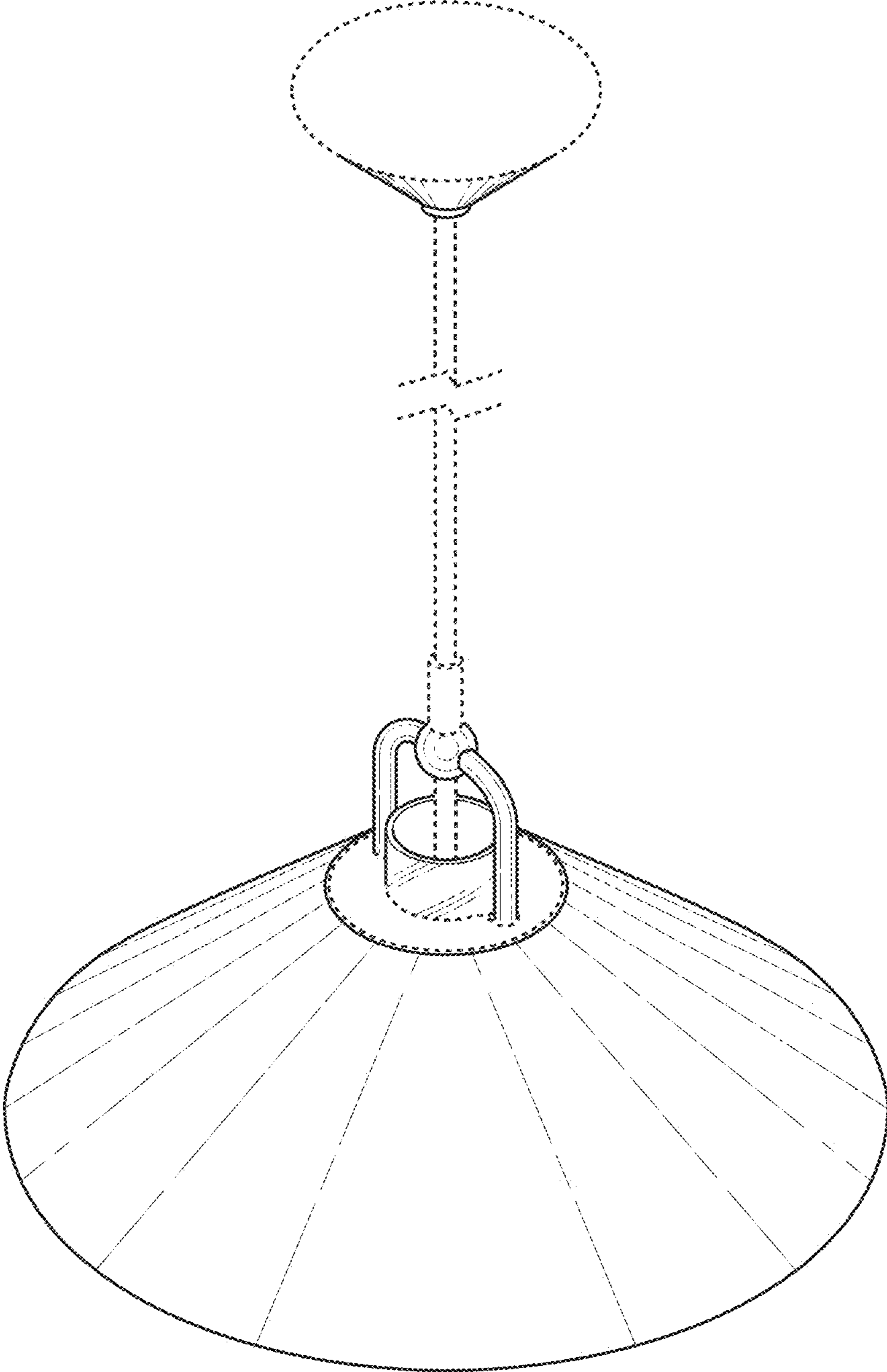


FIG. 2

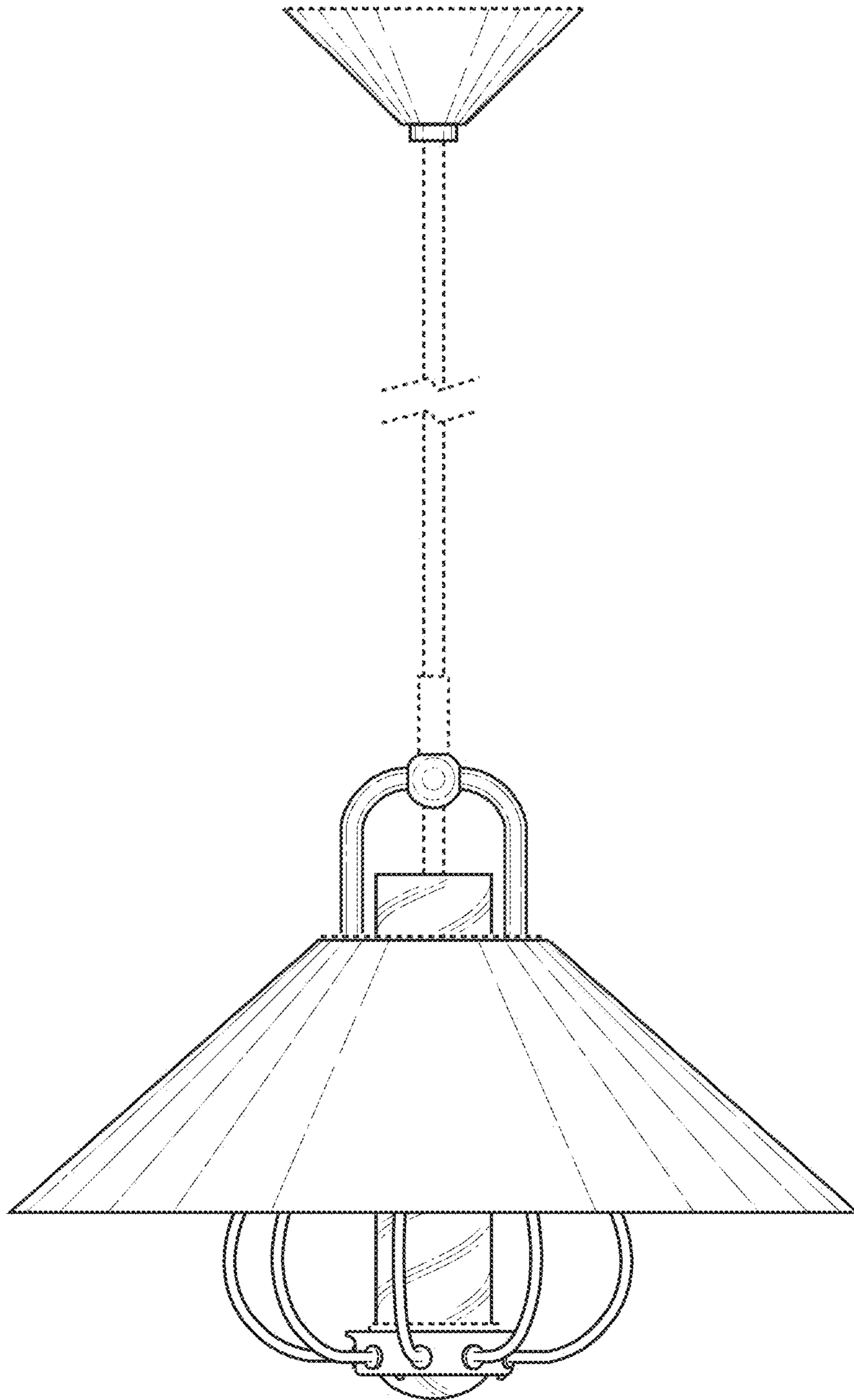


FIG. 3

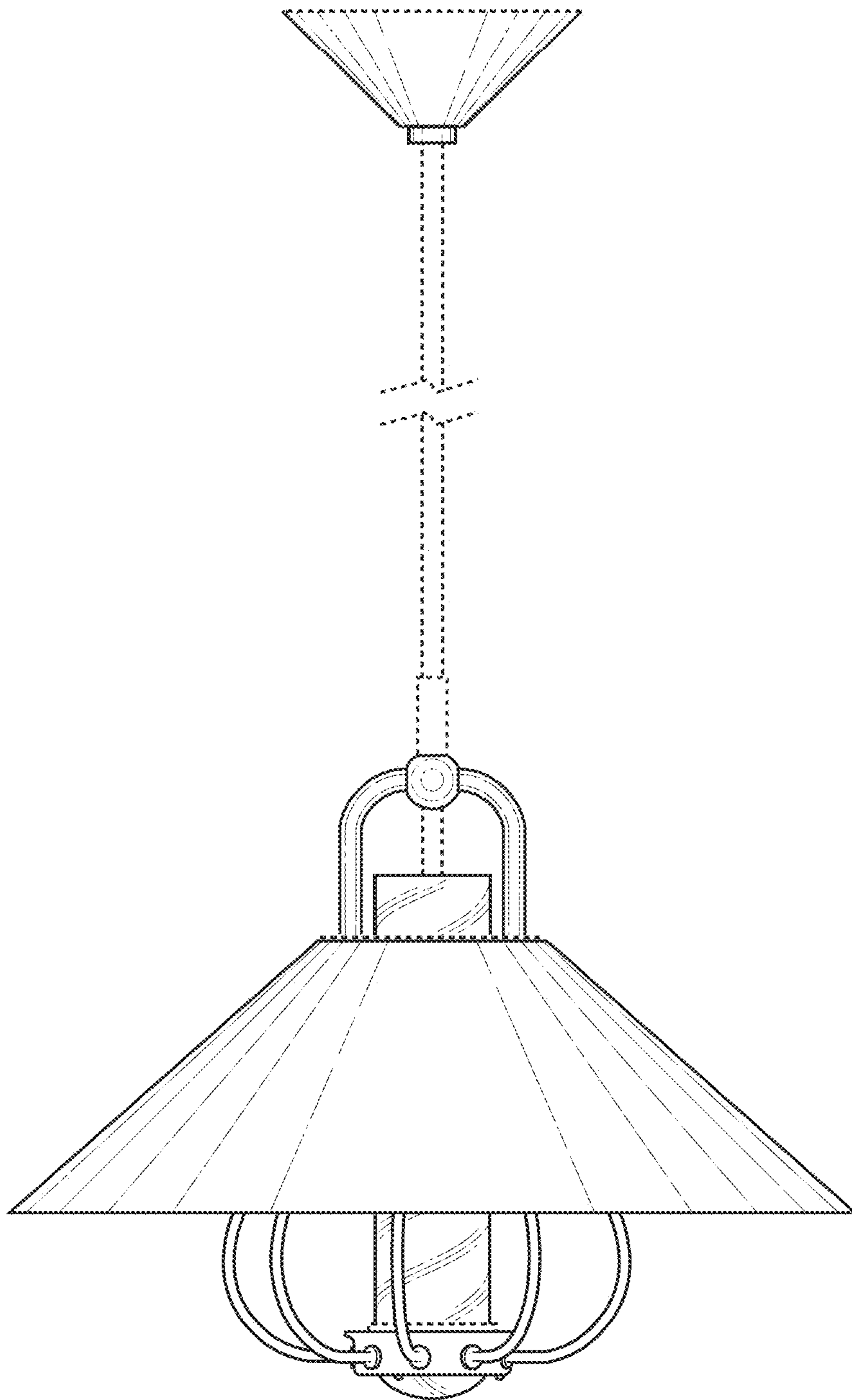


FIG. 4

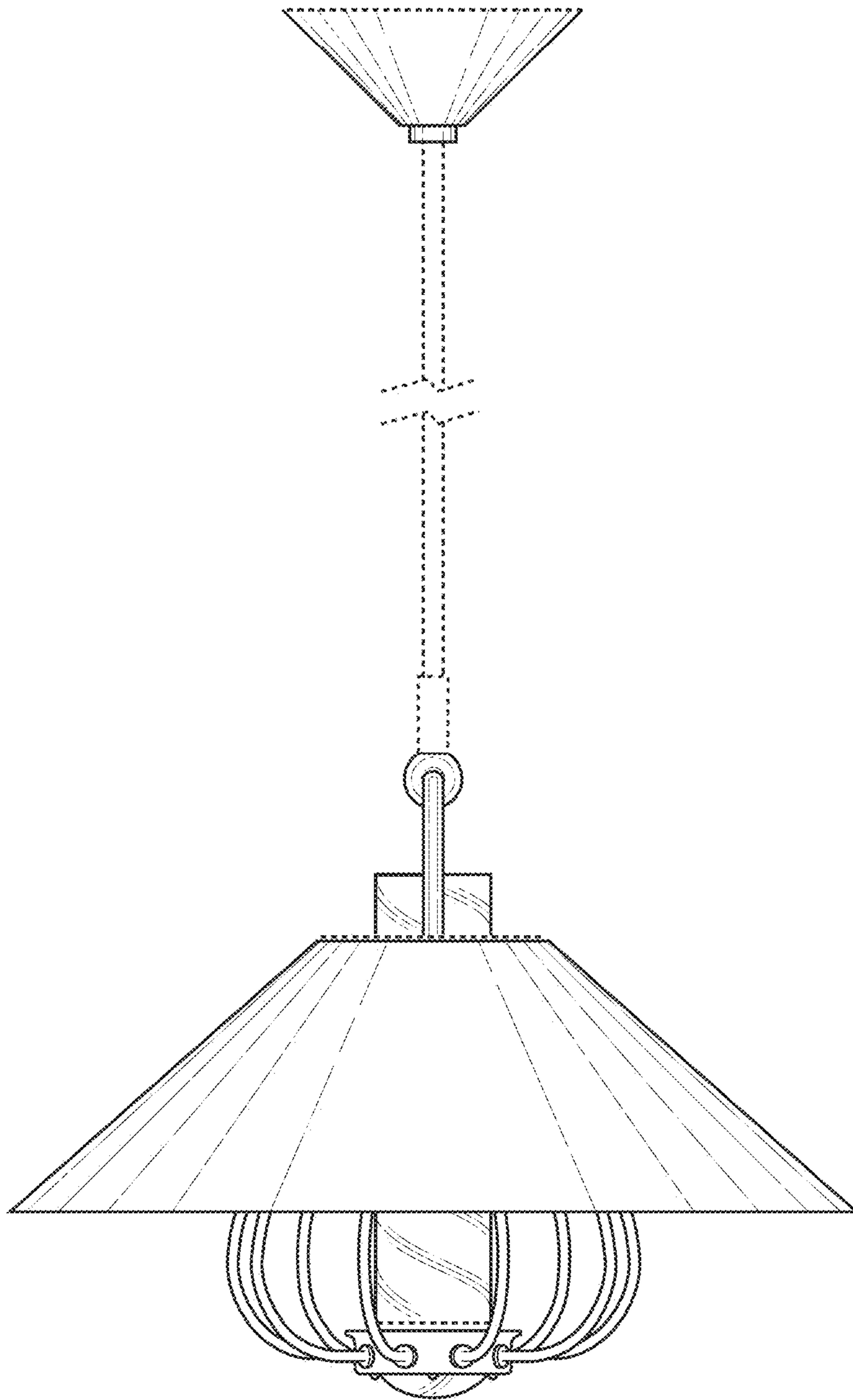


FIG. 5

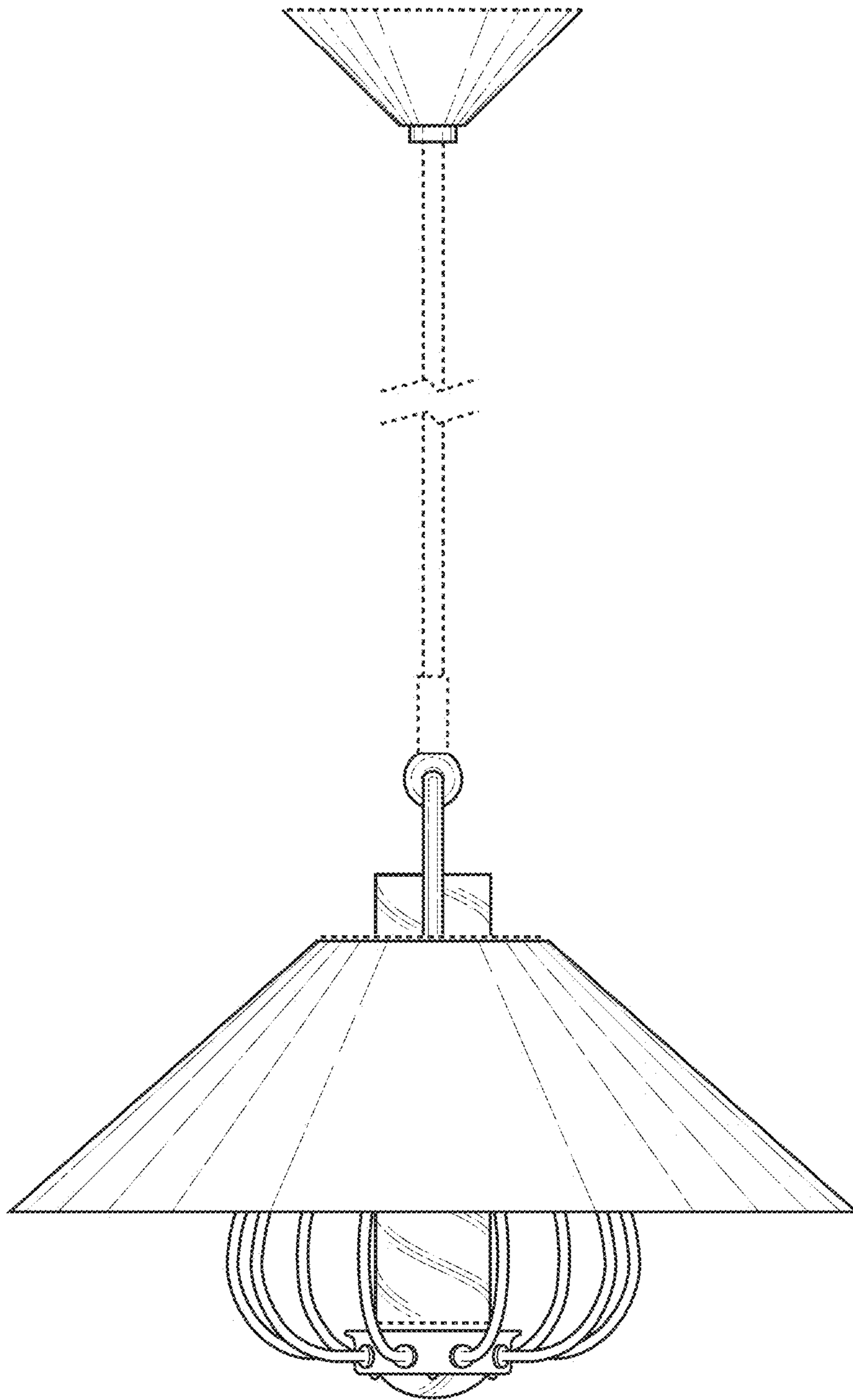
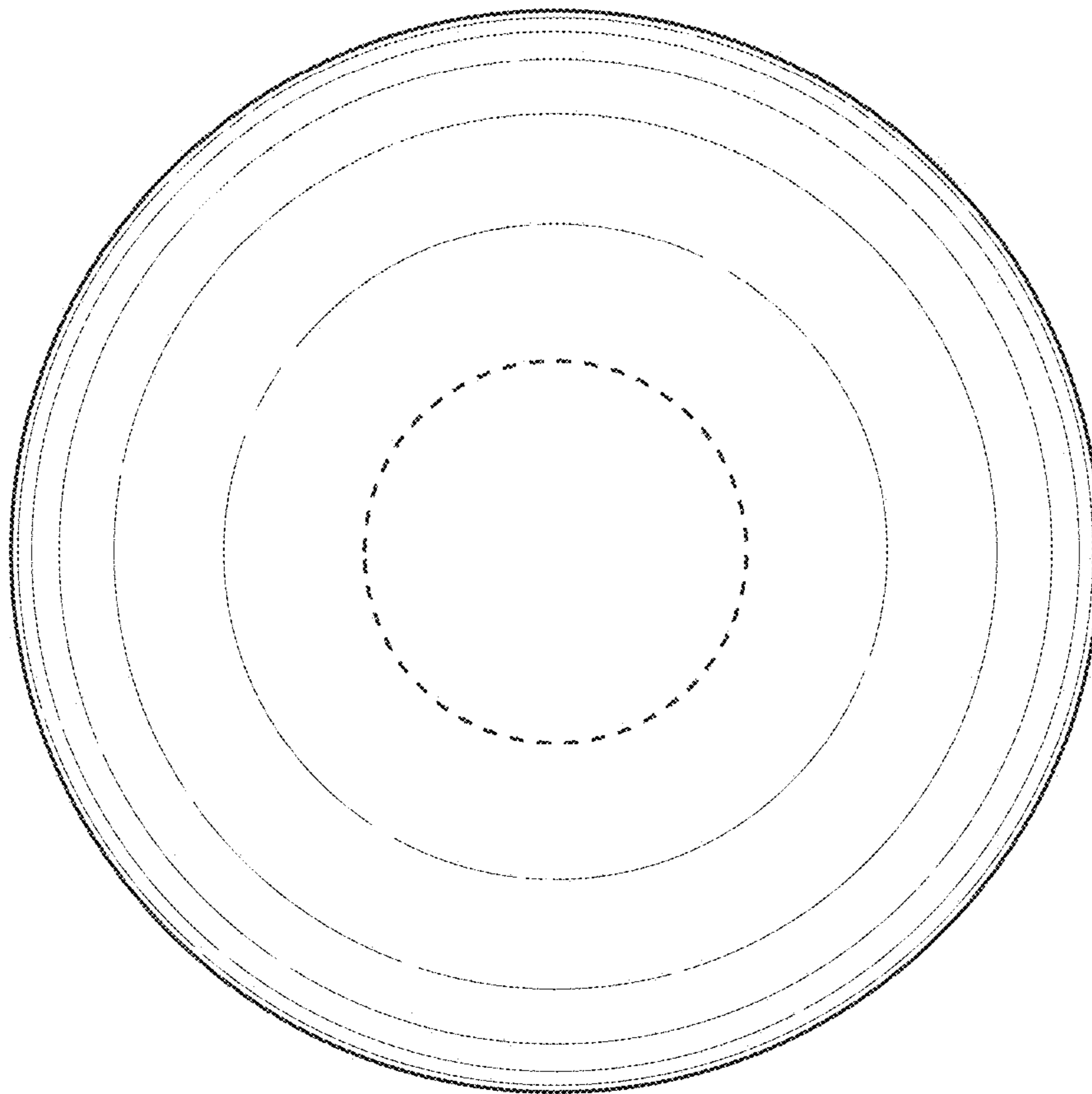


FIG. 6





**FIG. 7**

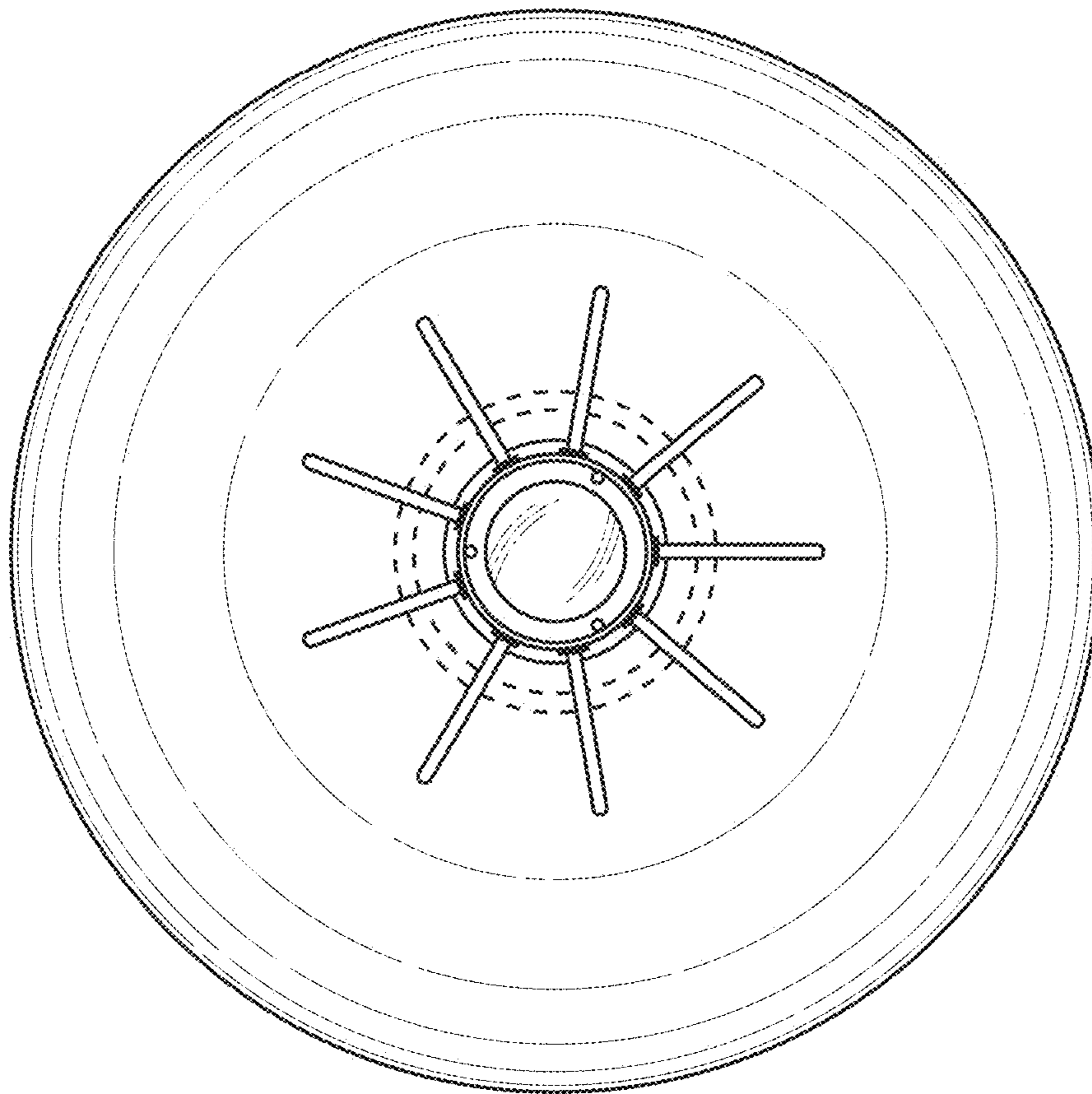


FIG. 8