



US00D984715S

(12) **United States Design Patent**  
**Hendifar**

(10) **Patent No.:** **US D984,715 S**  
(45) **Date of Patent:** **\*\* Apr. 25, 2023**

(54) **PENDANT LAMP**

- (71) Applicant: **APPARATUS LLC**, New York, NY (US)
- (72) Inventor: **Gabriel Hendifar**, New York, NY (US)
- (73) Assignee: **APPARATUS LLC**, New York, NY (US)
- (\*\*) Term: **15 Years**

(21) Appl. No.: **29/788,697**

(22) Filed: **Jul. 19, 2021**

(51) **LOC (14) Cl.** ..... **26-03**

(52) **U.S. Cl.**  
USPC ..... **D26/88**; D26/86

(58) **Field of Classification Search**  
USPC ..... D26/72, 81, 83, 84, 85, 86, 88, 91  
CPC ..... F21S 8/04; F21S 8/043; F21S 8/06; F21S 8/061; F21S 8/063  
See application file for complete search history.

(56) **References Cited**

**U.S. PATENT DOCUMENTS**

D87,857 S *	9/1932	Tucker	.....	D26/88
D113,971 S *	3/1939	Kirk	.....	D26/88
D119,203 S *	2/1940	Krueger	.....	D26/88
D307,641 S *	5/1990	De'Armond	.....	D26/136
D309,792 S *	8/1990	Mangiarotti	.....	D26/85
D575,440 S *	8/2008	Pelzl	.....	D26/88
D579,602 S *	10/2008	Gotz-Schafer	.....	D26/118
D758,637 S *	6/2016	Herzog	.....	D26/88
D805,676 S *	12/2017	Piano	.....	D26/88
D819,867 S *	6/2018	Hendifar	.....	D26/84
D849,305 S *	5/2019	Ventura Conesa	.....	D26/88
D849,310 S *	5/2019	Hendifar	.....	D26/88
D869,735 S *	12/2019	Babutzka	.....	D26/88

**OTHER PUBLICATIONS**

MZSUS—11.8" Glass Pendant Light, ASIN: B09B524BPP. Available from amazon.com Jul. 23, 2021. (Year: 2021).\*  
(Continued)

*Primary Examiner* — Clare E Heflin  
(74) *Attorney, Agent, or Firm* — Gottlieb, Rackman & Reisman

(57) **CLAIM**

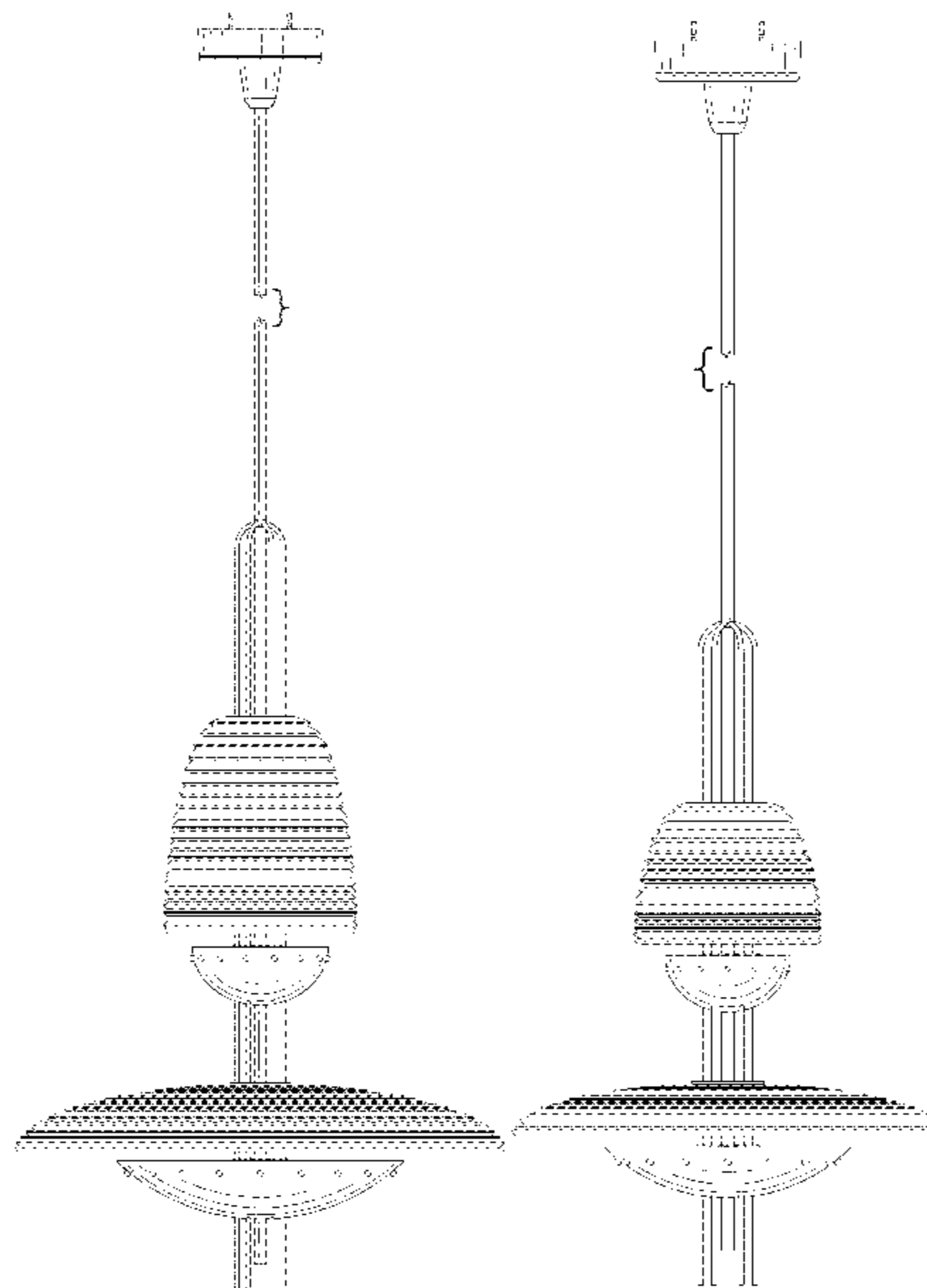
I claim the ornamental design for a pendant lamp, as shown and described.

**DESCRIPTION**

FIG. 1 is a front perspective view of a first embodiment showing my new design;  
FIG. 2 is a rear perspective view of FIG. 1;  
FIG. 3 is a front elevational view of FIG. 1;  
FIG. 4 is a rear elevational view of FIG. 1;  
FIG. 5 is a left side elevational view of FIG. 1;  
FIG. 6 is a right side elevational view of FIG. 1;  
FIG. 7 is a top plan view of FIG. 1; and  
FIG. 8 is a bottom plan view of FIG. 1.  
FIG. 9 is a front perspective view of a second embodiment showing my new design;  
FIG. 10 is a rear perspective view of FIG. 9;  
FIG. 11 is a front elevational view of FIG. 9;  
FIG. 12 is a rear elevational view of FIG. 9;  
FIG. 13 is a left side elevational view of FIG. 9;  
FIG. 14 is a right side elevational view of FIG. 9;  
FIG. 15 is a top plan view of FIG. 9; and  
FIG. 16 is a bottom plan view of FIG. 9.

The break lines shown in the drawings indicate that the appearance of any portion of the article between the break lines forms no part of the claimed design.  
The broken lines shown in the drawings are included for the purpose of illustrating elements of the pendant lamp that form no part of the claimed design.

**1 Claim, 14 Drawing Sheets**



(56)

**References Cited**

OTHER PUBLICATIONS

CSSYKV—Nordic Pendant Lamp, Danish Designer Hanging Lamp, ASIN: B095LXRC89. Available from amazon.com May 22, 2021. (Year: 2021).\*

Florian Schulz—Nice Onos 55 Ceiling Lamp, 1stDibs reference No. LU1005031032662. Manufactured 1982. website visited Feb. 8, 2023 <[https://www.1stdibs.com/furniture/lighting/chandeliers-pendant-lights/nice-onos-55-ceiling-lamp/id-f\\_31032662/](https://www.1stdibs.com/furniture/lighting/chandeliers-pendant-lights/nice-onos-55-ceiling-lamp/id-f_31032662/)>. (Year: 1982).\*

Pendant Light, designed by Jens Møller-Jensen in 1963, 1stDibs Reference No. LU3228124972812. Website visited Feb. 8, 2023. <<https://www.1stdibs.com/>> (Year: 1963).\*

\* cited by examiner

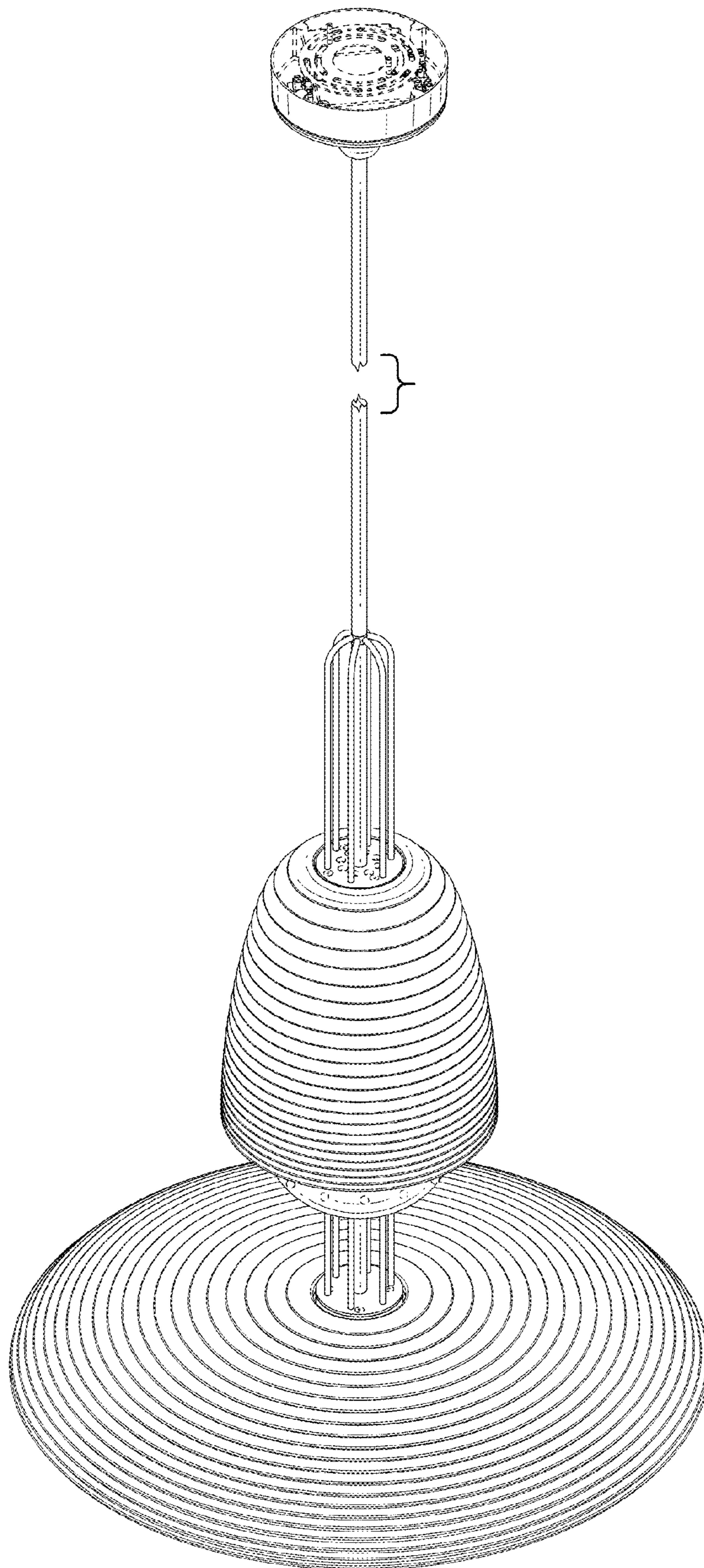


FIG. 1

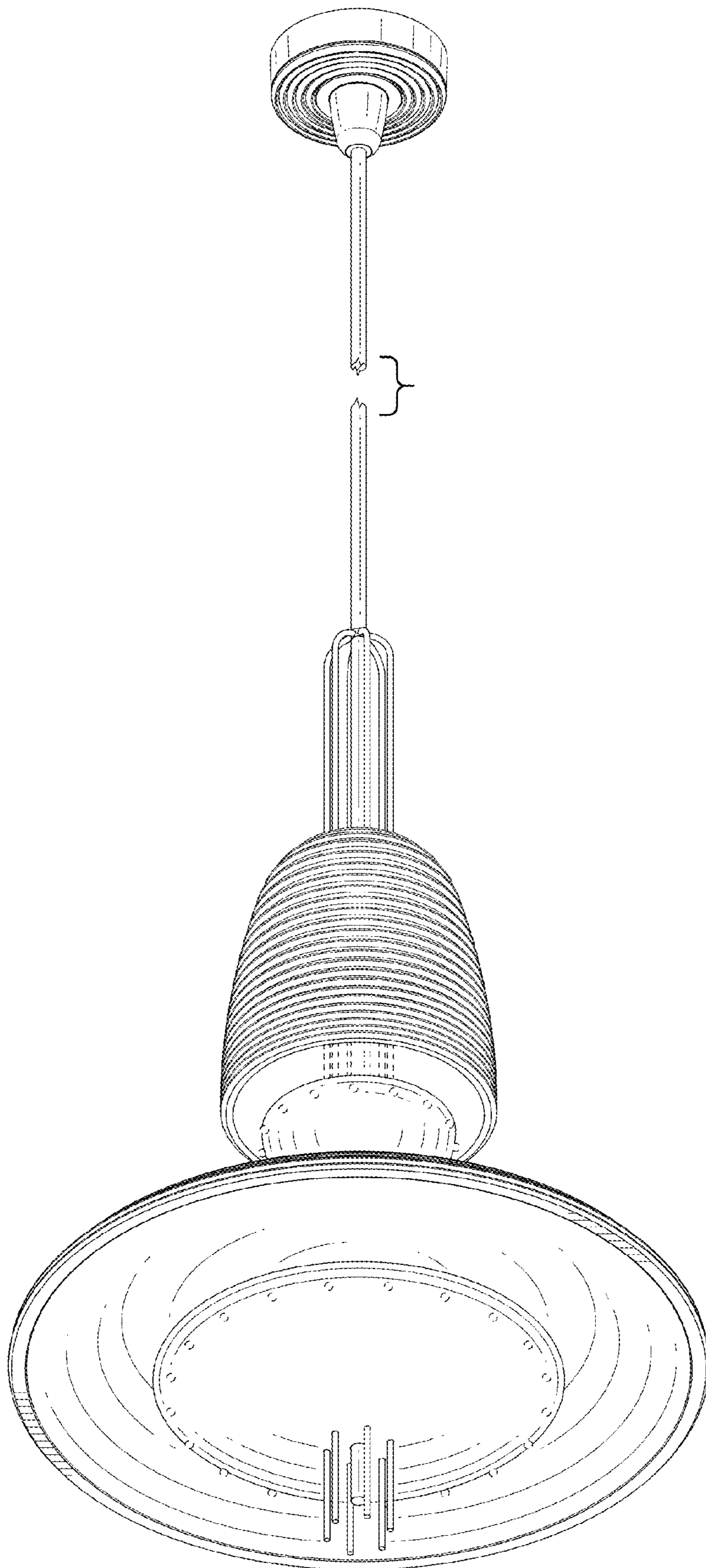


FIG. 2

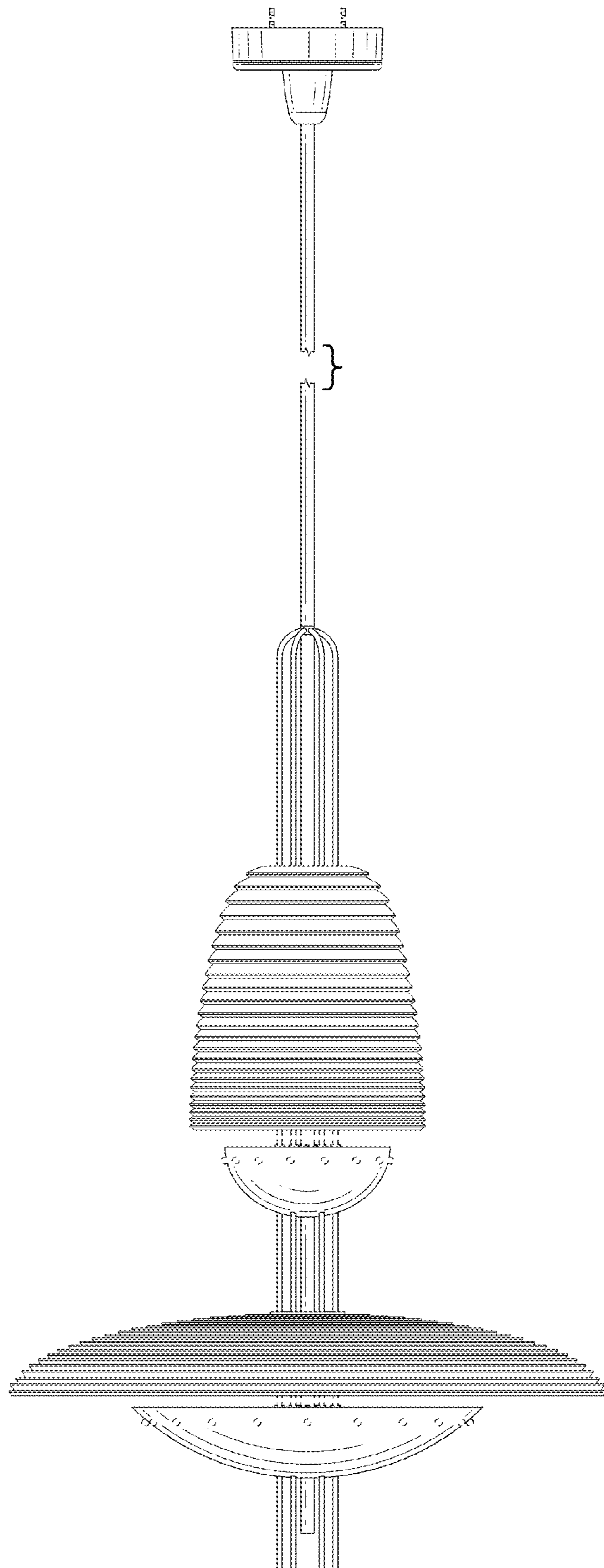


FIG. 3

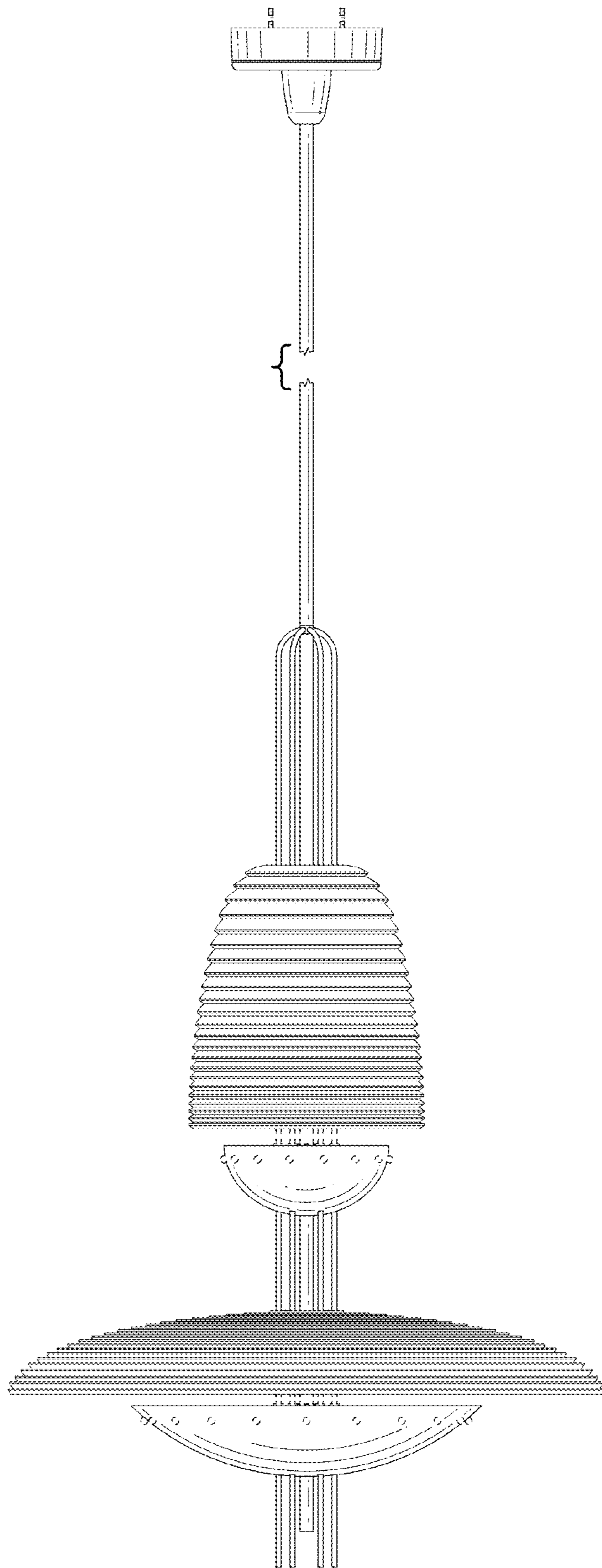


FIG.4

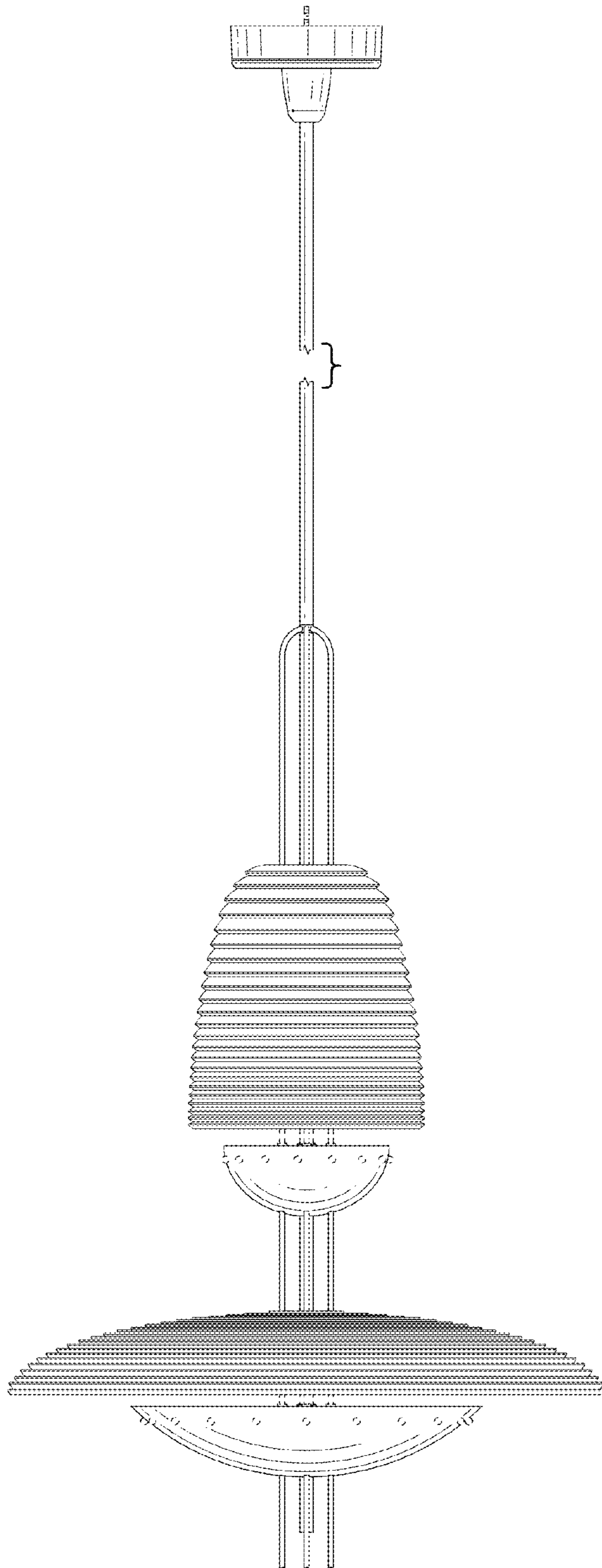


FIG. 5

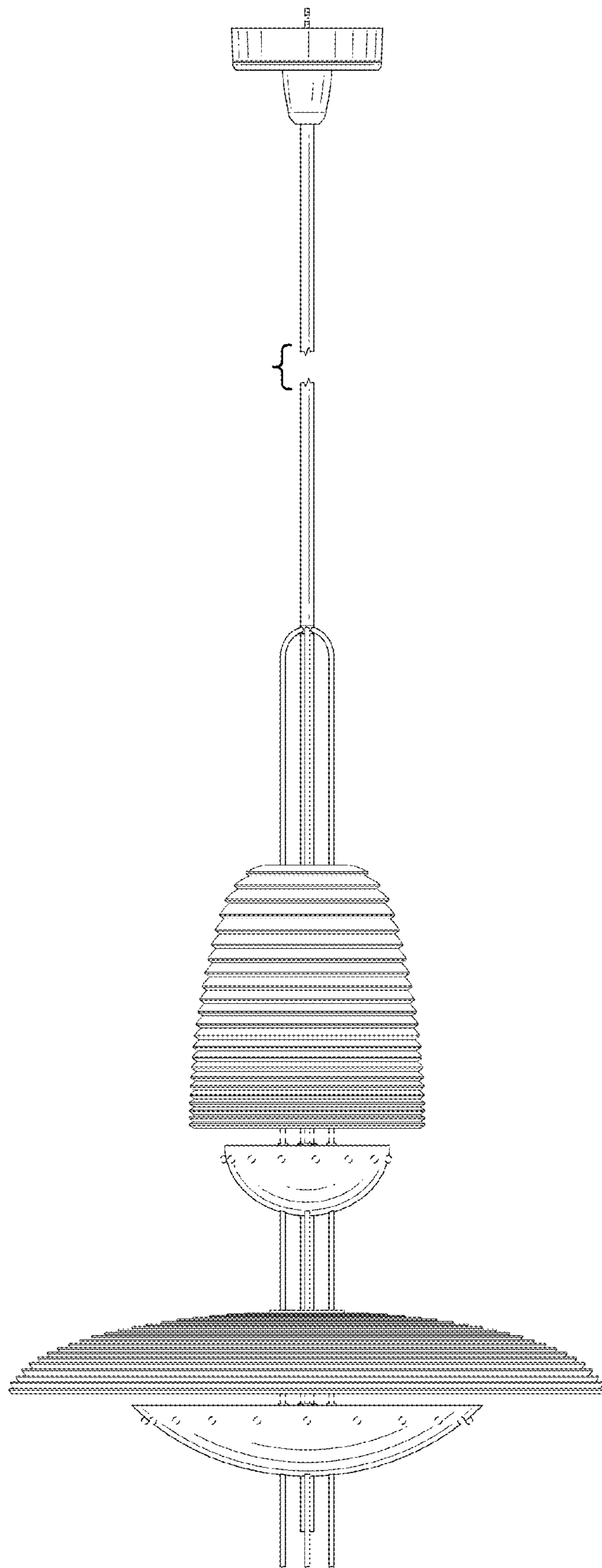


FIG.6



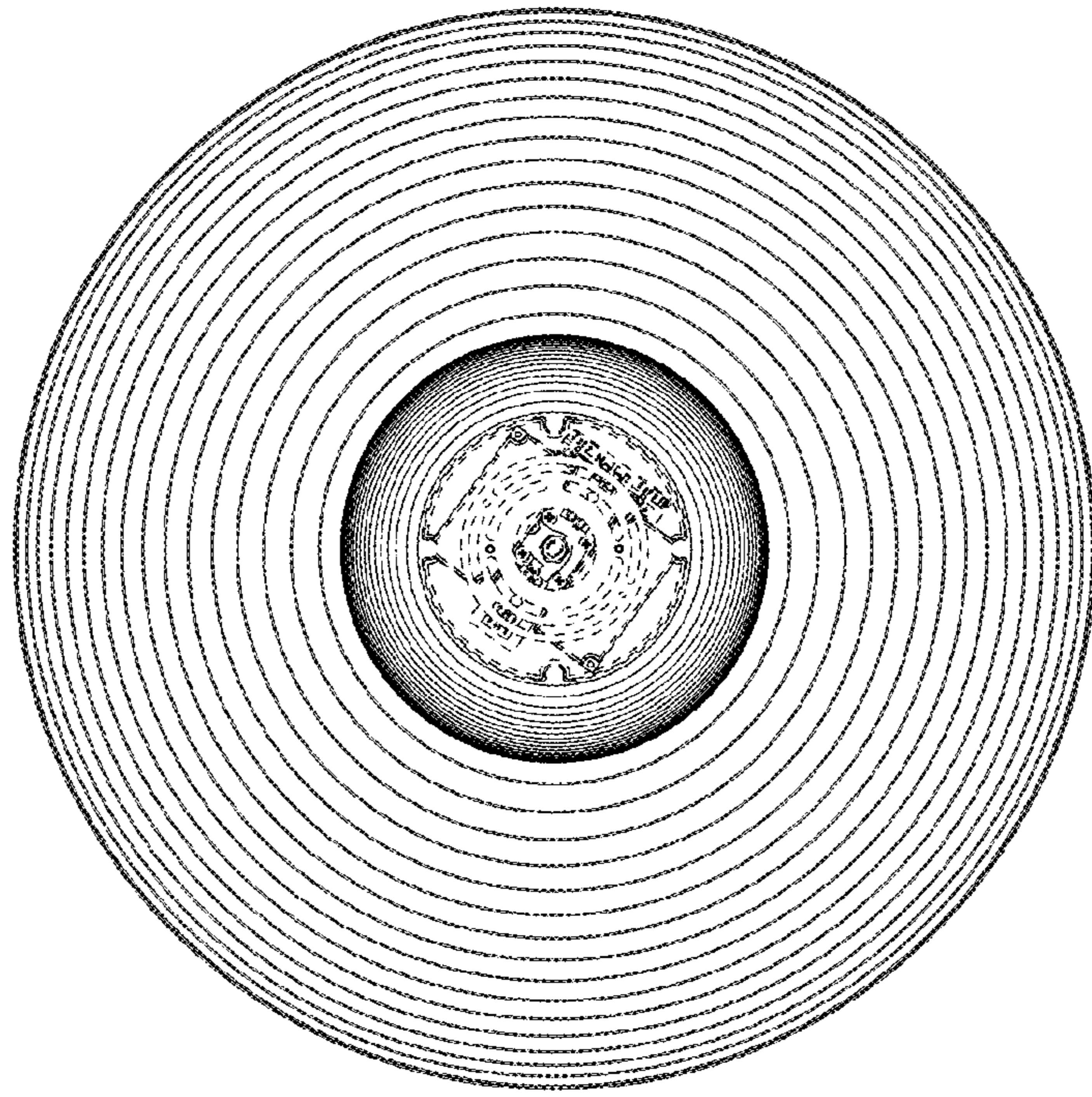


FIG. 7

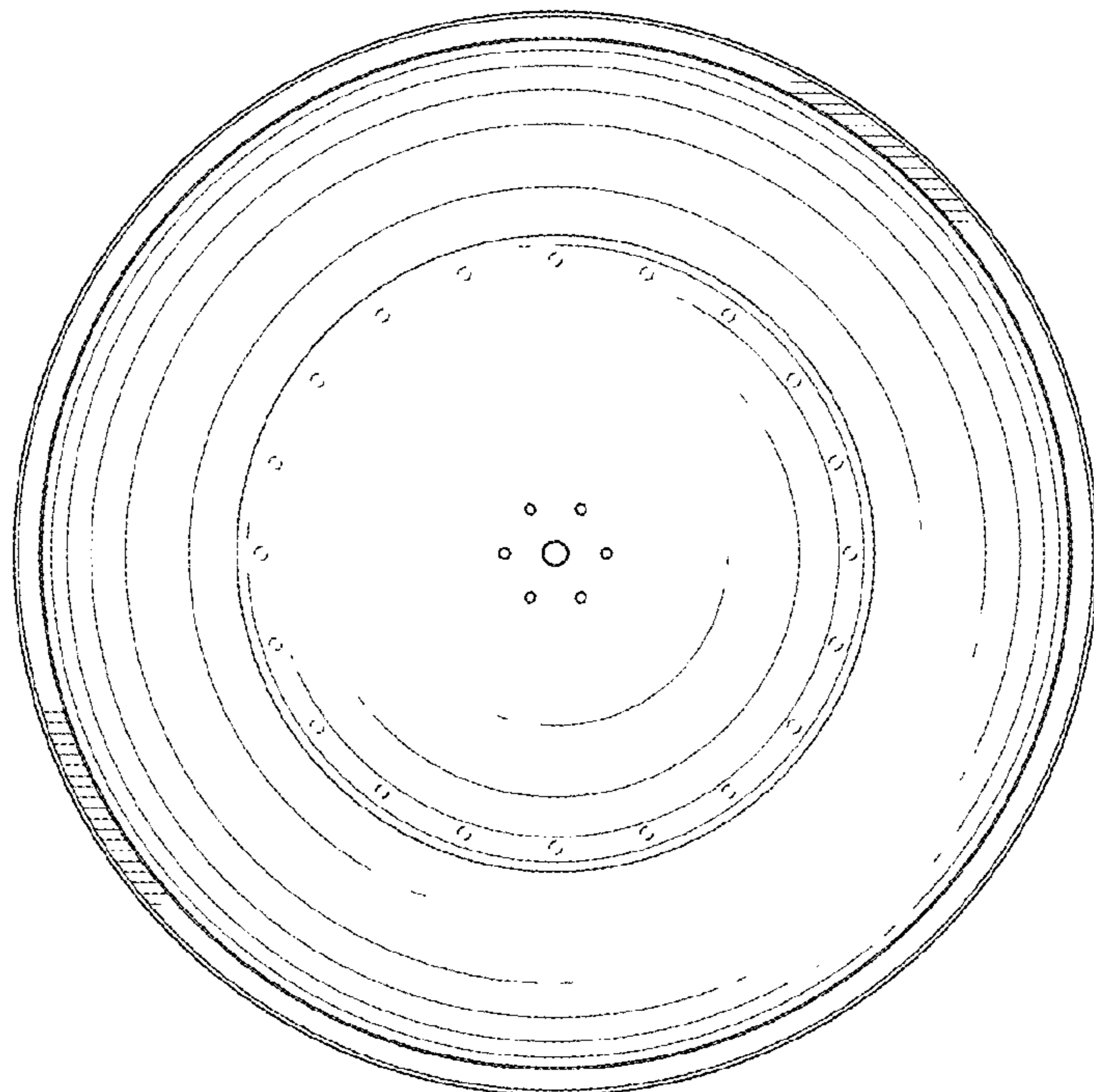


FIG. 8

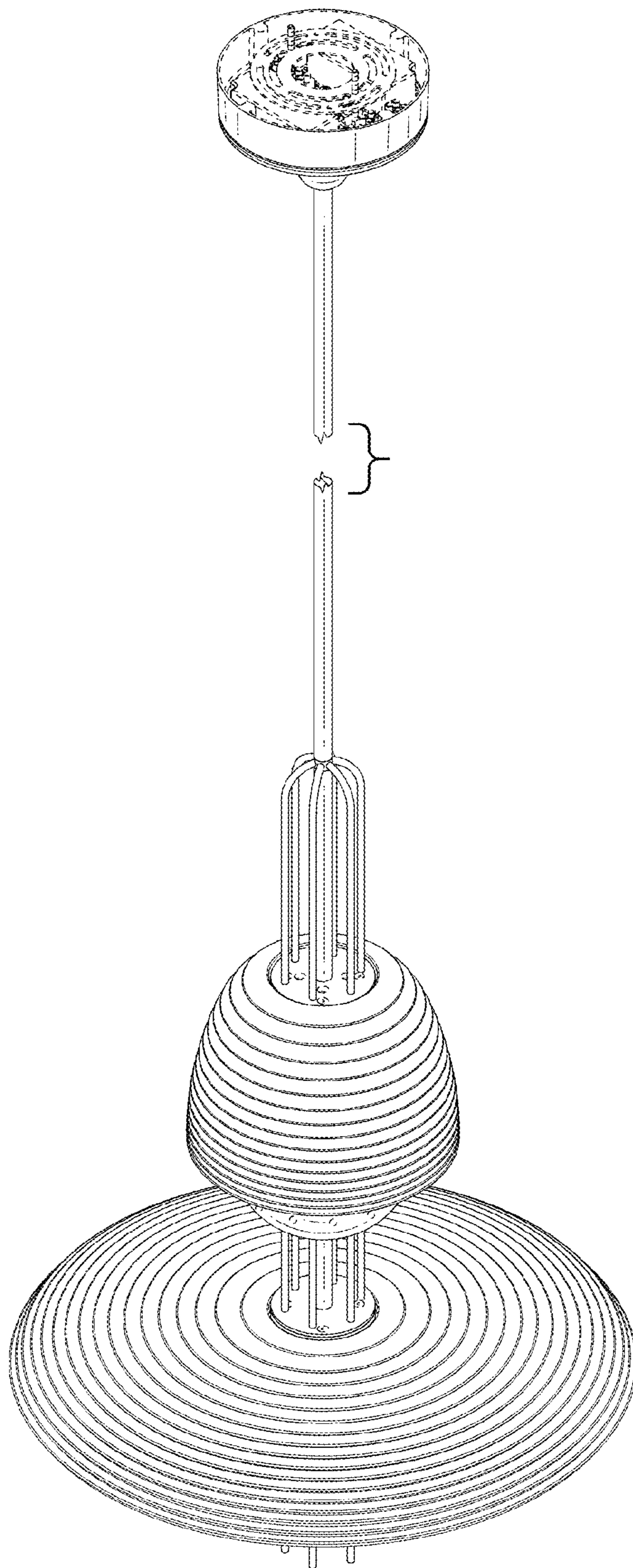


FIG. 9

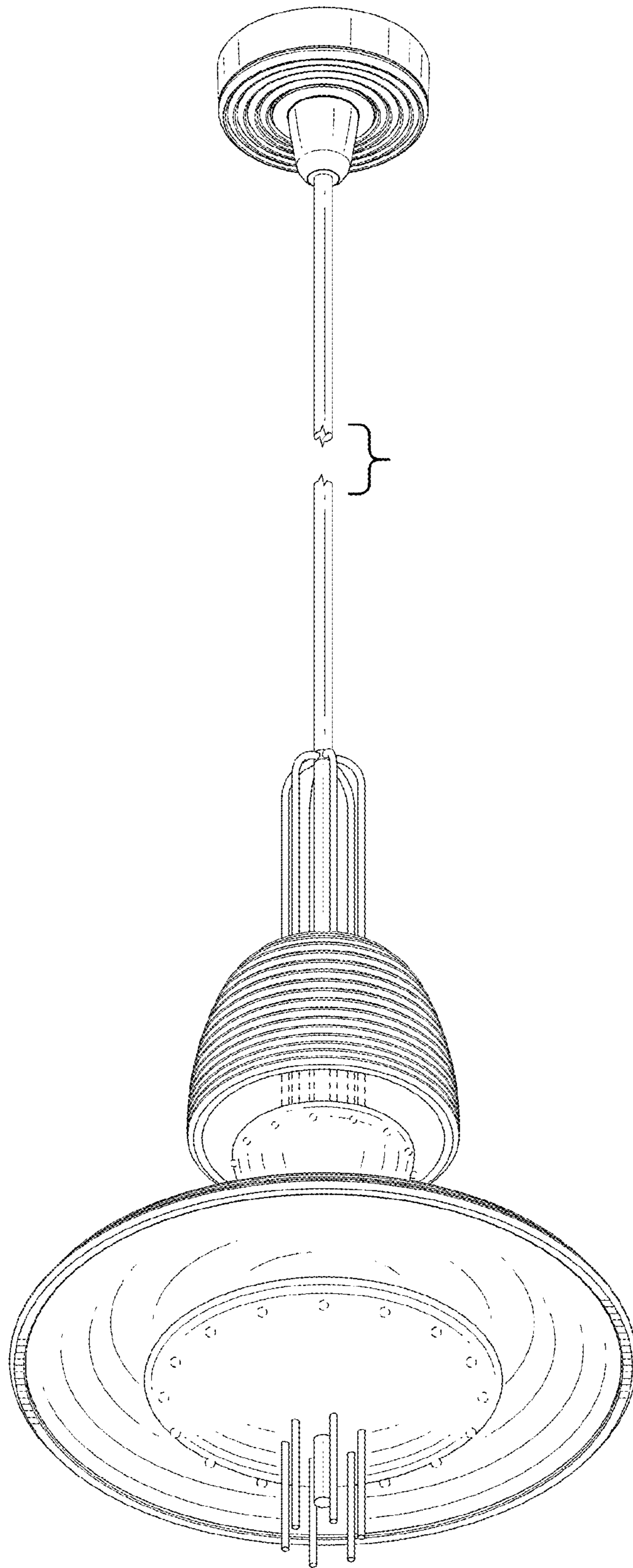


FIG. 10

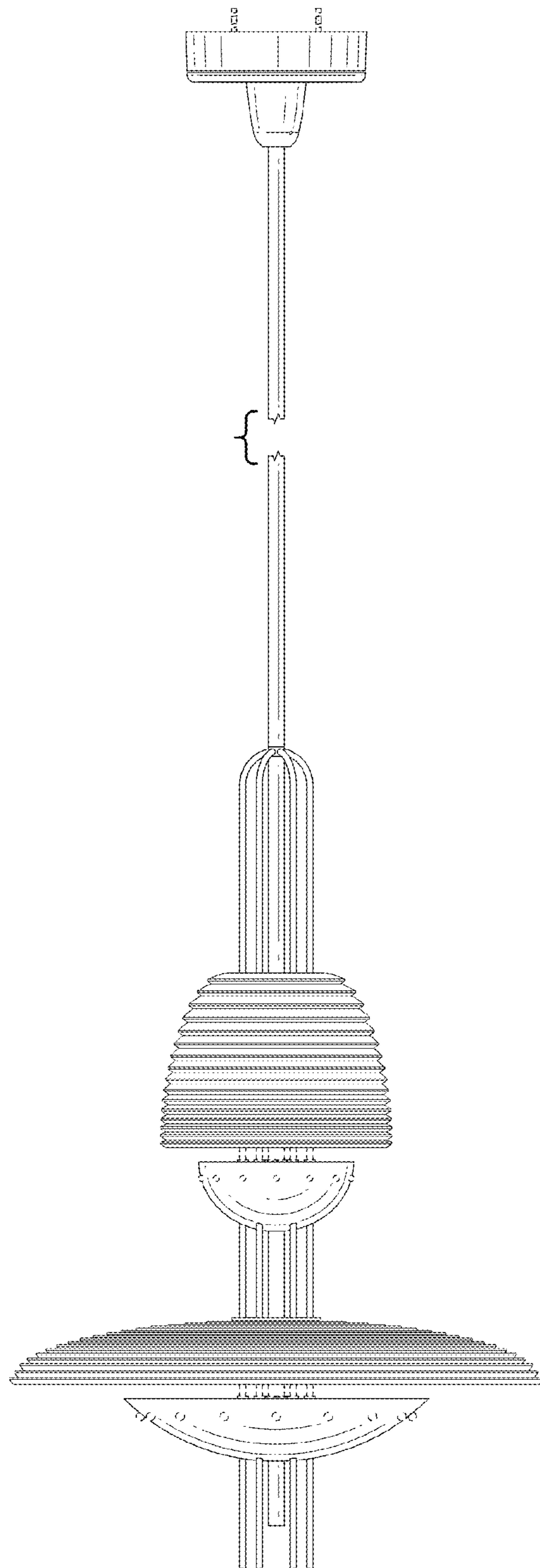


FIG. 11

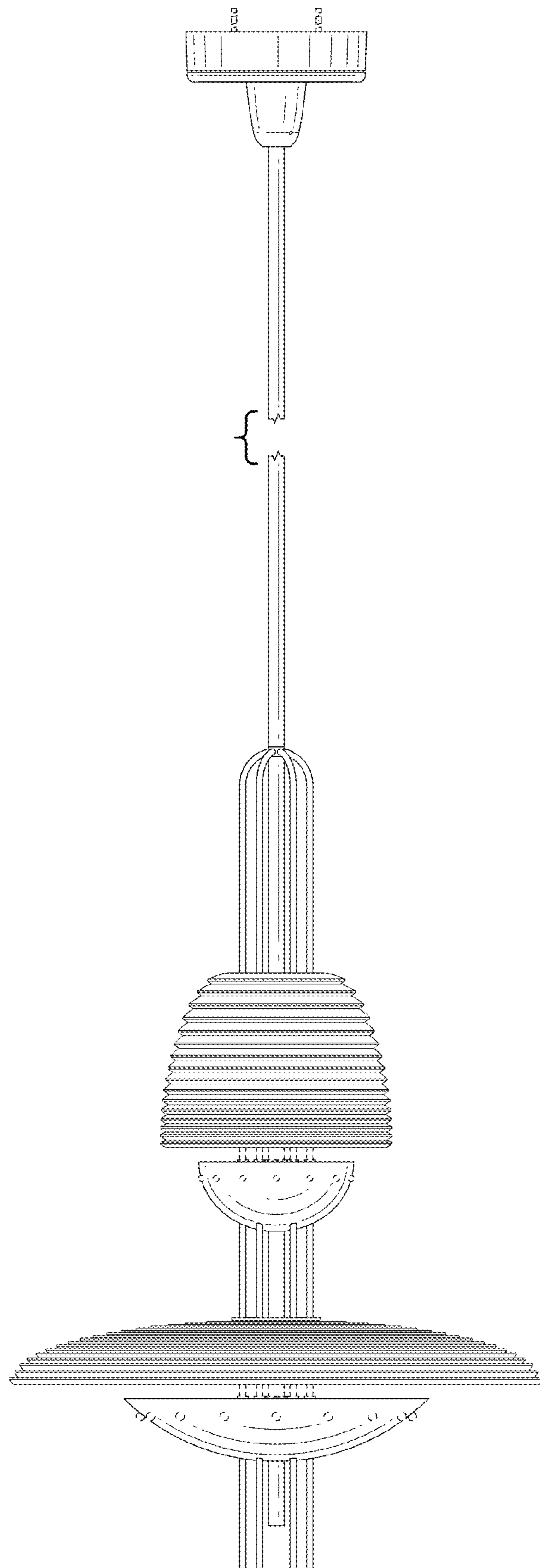


FIG. 12

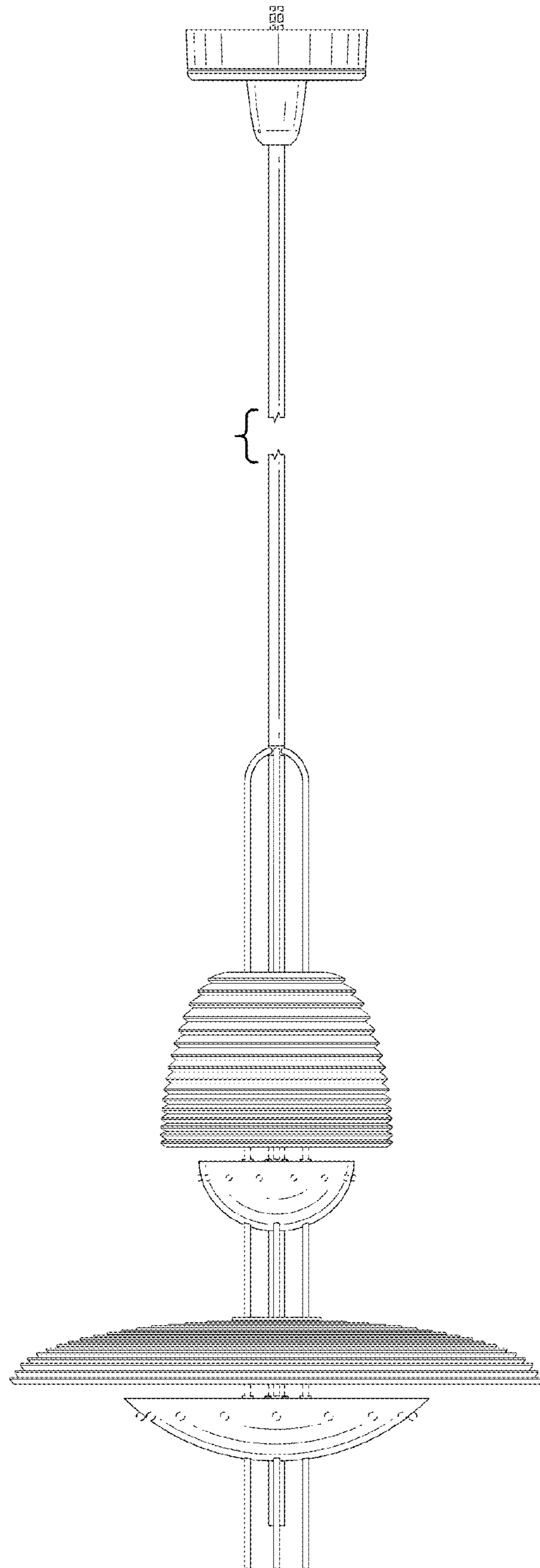


FIG. 13

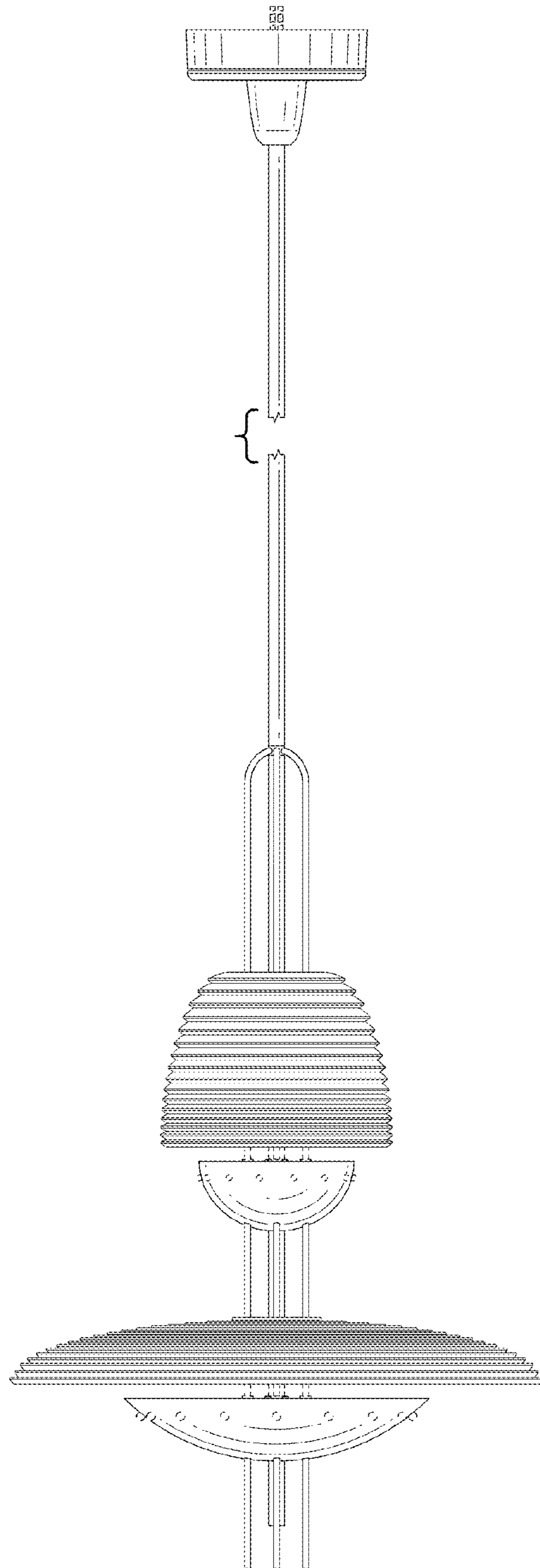


FIG. 14

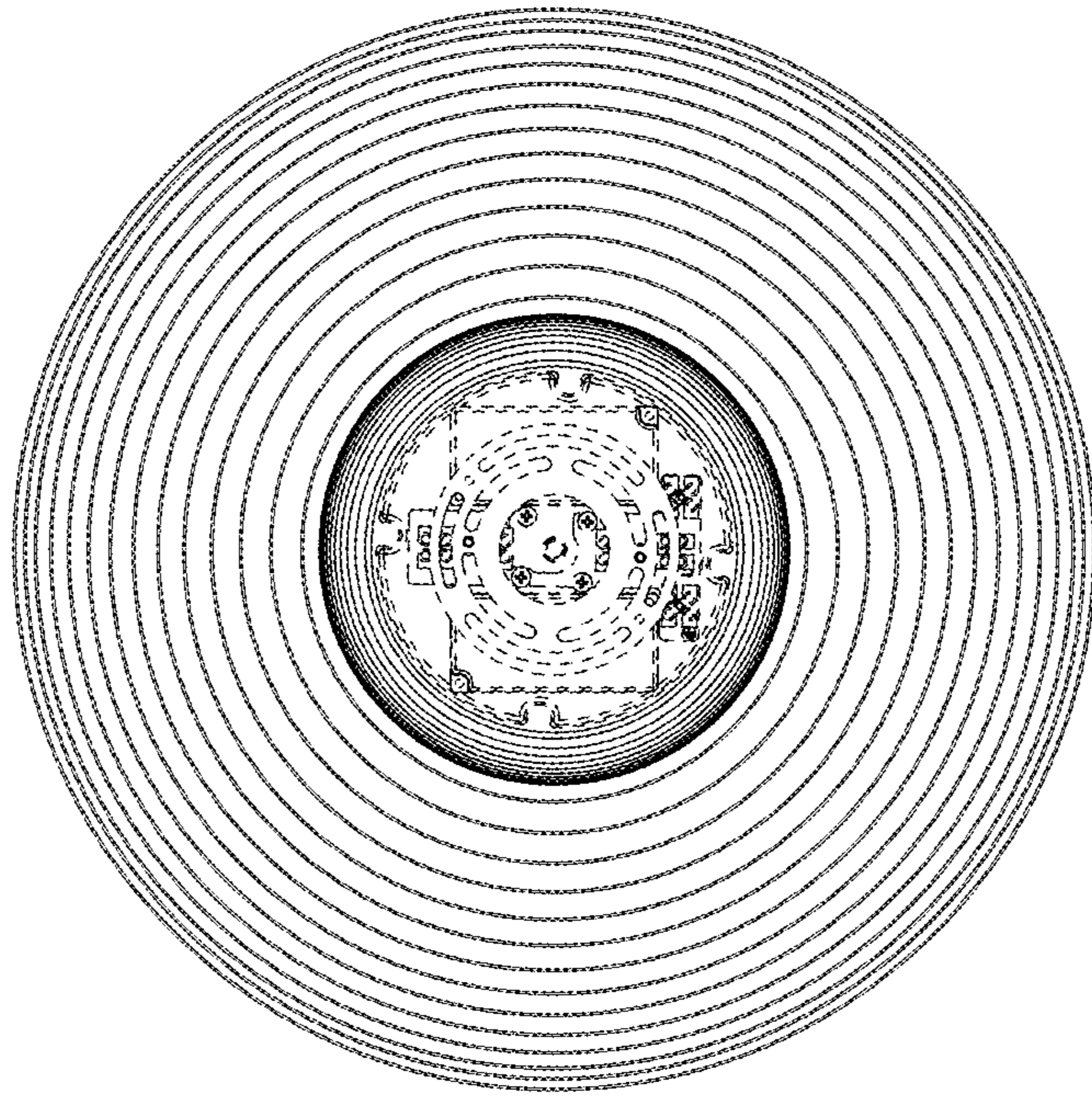


FIG. 15

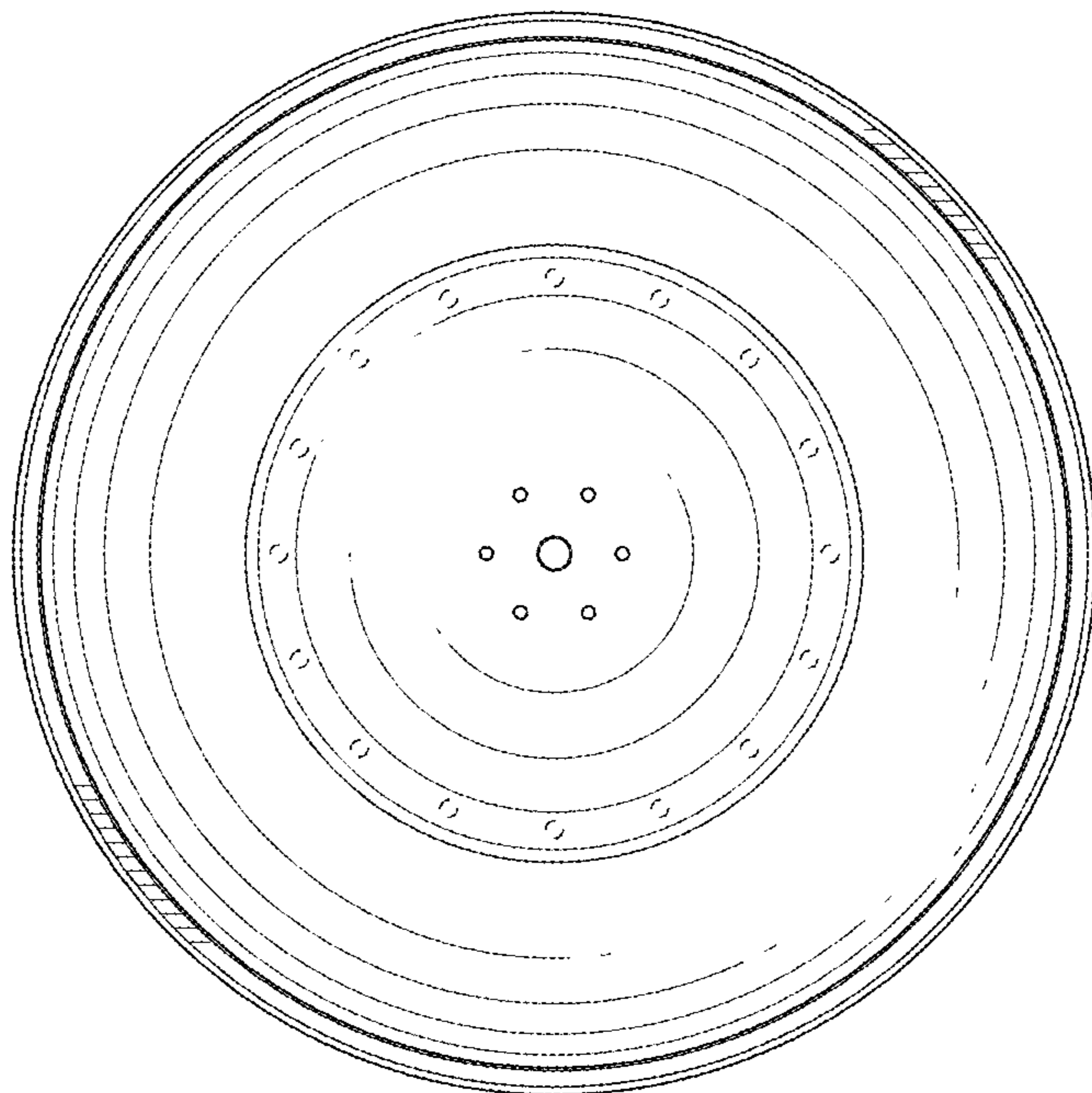


FIG. 16