



US00D984714S

(12) **United States Design Patent**
Wu

(10) **Patent No.:** **US D984,714 S**
(45) **Date of Patent:** **** Apr. 25, 2023**

- (54) **SOLAR FOLDING WALL LAMP**
- (71) Applicant: **Ningbo Liangying Electronic Technology Co., Ltd., Ningbo (CN)**
- (72) Inventor: **Xiaoling Wu, Ningbo (CN)**
- (**) Term: **15 Years**
- (21) Appl. No.: **29/859,890**
- (22) Filed: **Nov. 15, 2022**
- (51) **LOC (14) Cl.** **26-03**
- (52) **U.S. Cl.**
USPC **D26/87**
- (58) **Field of Classification Search**
USPC D26/29, 60, 61, 62, 63, 72, 87, 92
CPC .. F21S 8/033; F21S 8/036; F21S 8/024; F21S 8/03; Y02E 10/40; Y02E 10/50
See application file for complete search history.

- D939,752 S 12/2021 Luo
- D949,449 S * 4/2022 Zhang D26/63
- D949,450 S * 4/2022 Zhang D26/63
- D949,451 S * 4/2022 Zhang D26/63
- D956,299 S 6/2022 Zhu
- D956,304 S 6/2022 Liu
- D956,309 S 6/2022 Yan
- D975,334 S * 1/2023 Qiu D26/63

* cited by examiner

Primary Examiner — Michael A. Pratt
(74) *Attorney, Agent, or Firm* — Rumit Ranjit Kanakia

(57) **CLAIM**

The ornamental design for a solar folding wall lamp, as shown and described.

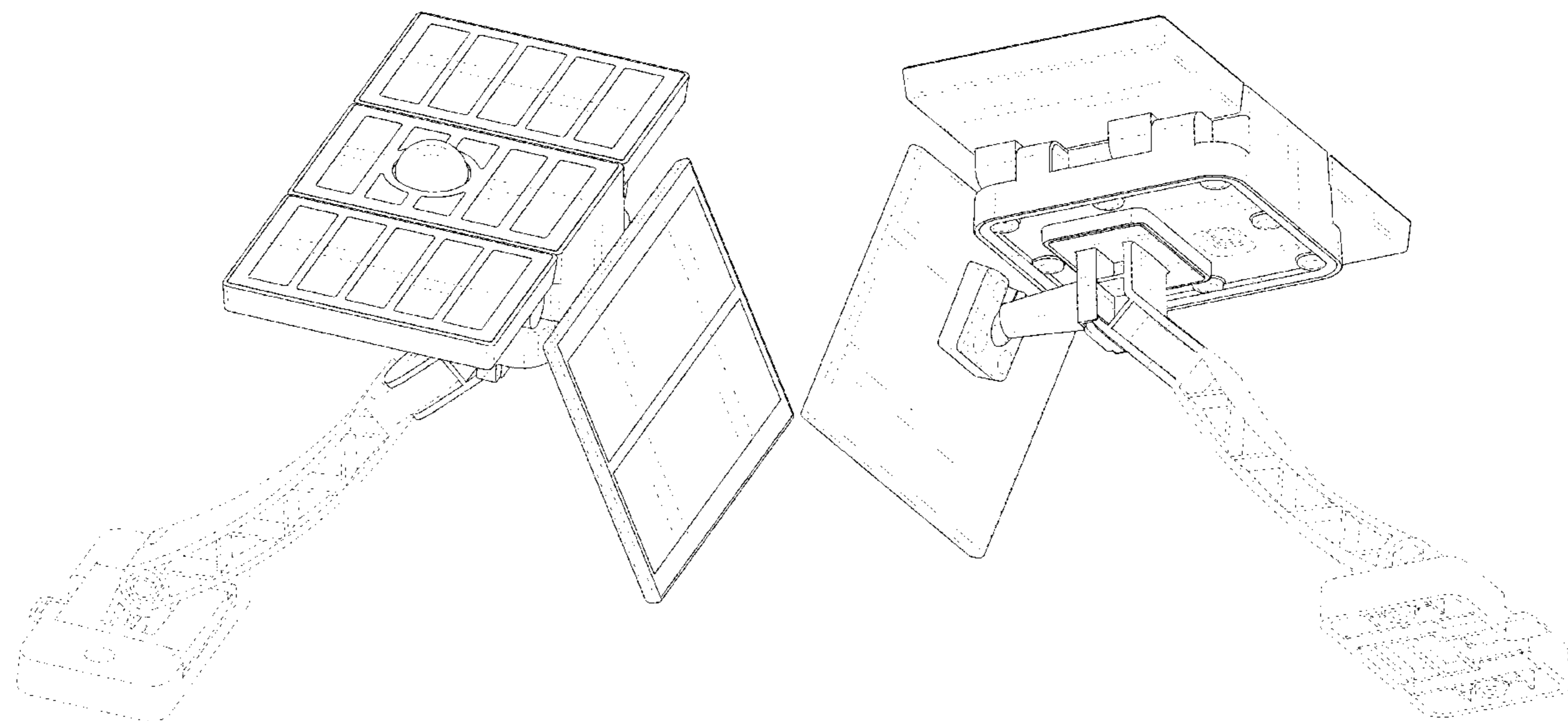
DESCRIPTION

FIG. 1 is a front perspective view of a solar folding wall lamp showing my new design;
 FIG. 2 is a rear perspective view thereof;
 FIG. 3 is a front elevational view thereof;
 FIG. 4 is a rear elevational view thereof;
 FIG. 5 is a left side view thereof;
 FIG. 6 is a right side view thereof;
 FIG. 7 is a top plan view thereof;
 FIG. 8 is a bottom plan view thereof; and,
 FIG. 9 is a front perspective view of the solar folding wall lamp in a folded state.

The broken lines in the figures are for the purposes of illustrating portions of the solar folding wall lamp, which form no part of the claimed design.

1 Claim, 9 Drawing Sheets

- (56) **References Cited**
U.S. PATENT DOCUMENTS
- D751,745 S 3/2016 Wang
- D759,291 S 6/2016 Chen
- D831,259 S 10/2018 Chen
- D851,799 S * 6/2019 Liu D26/68
- D852,398 S * 6/2019 Liu D26/63
- D853,014 S 7/2019 Pan
- D870,951 S 12/2019 Tan
- D875,983 S 2/2020 Zhu



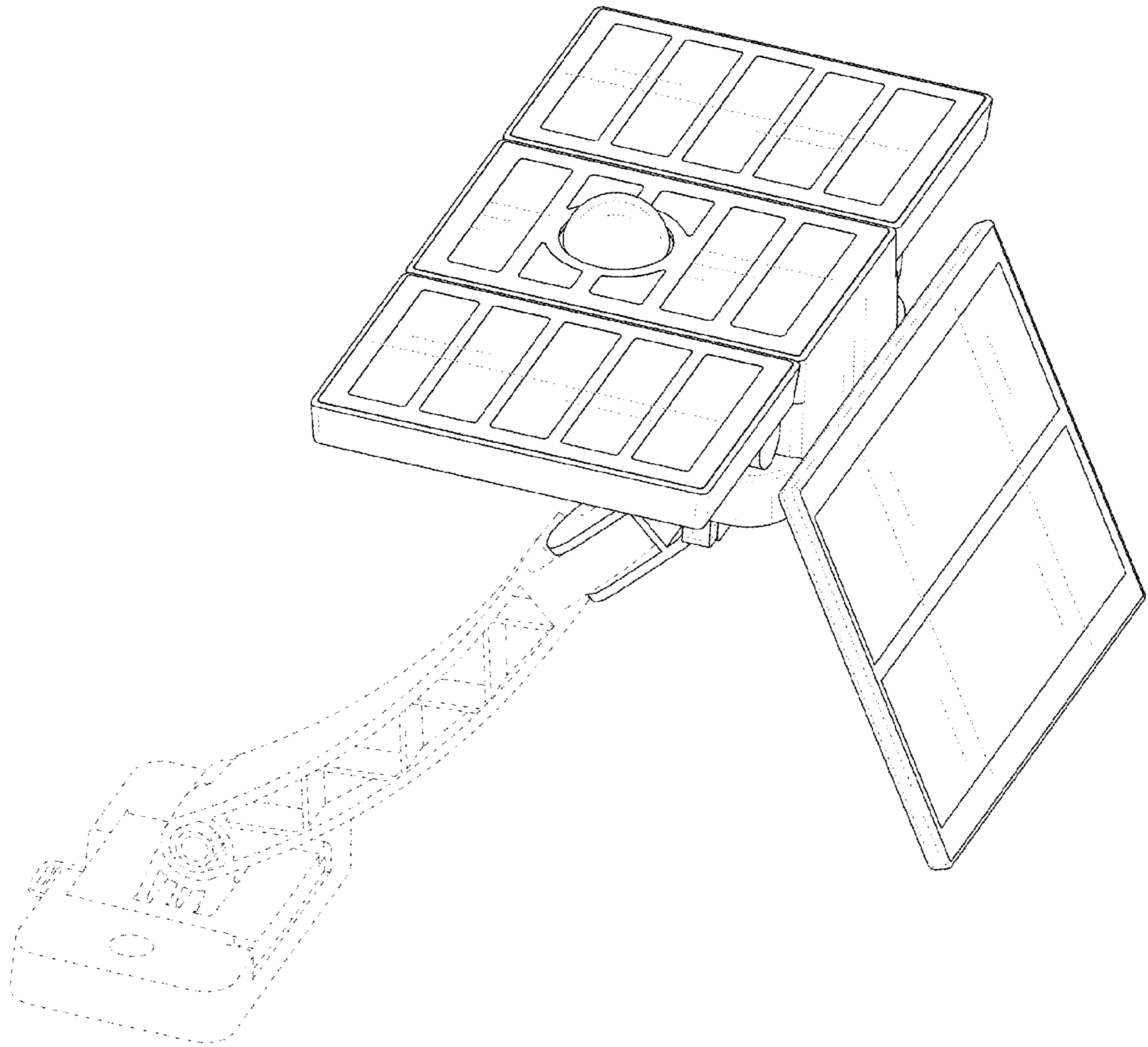


FIG. 1

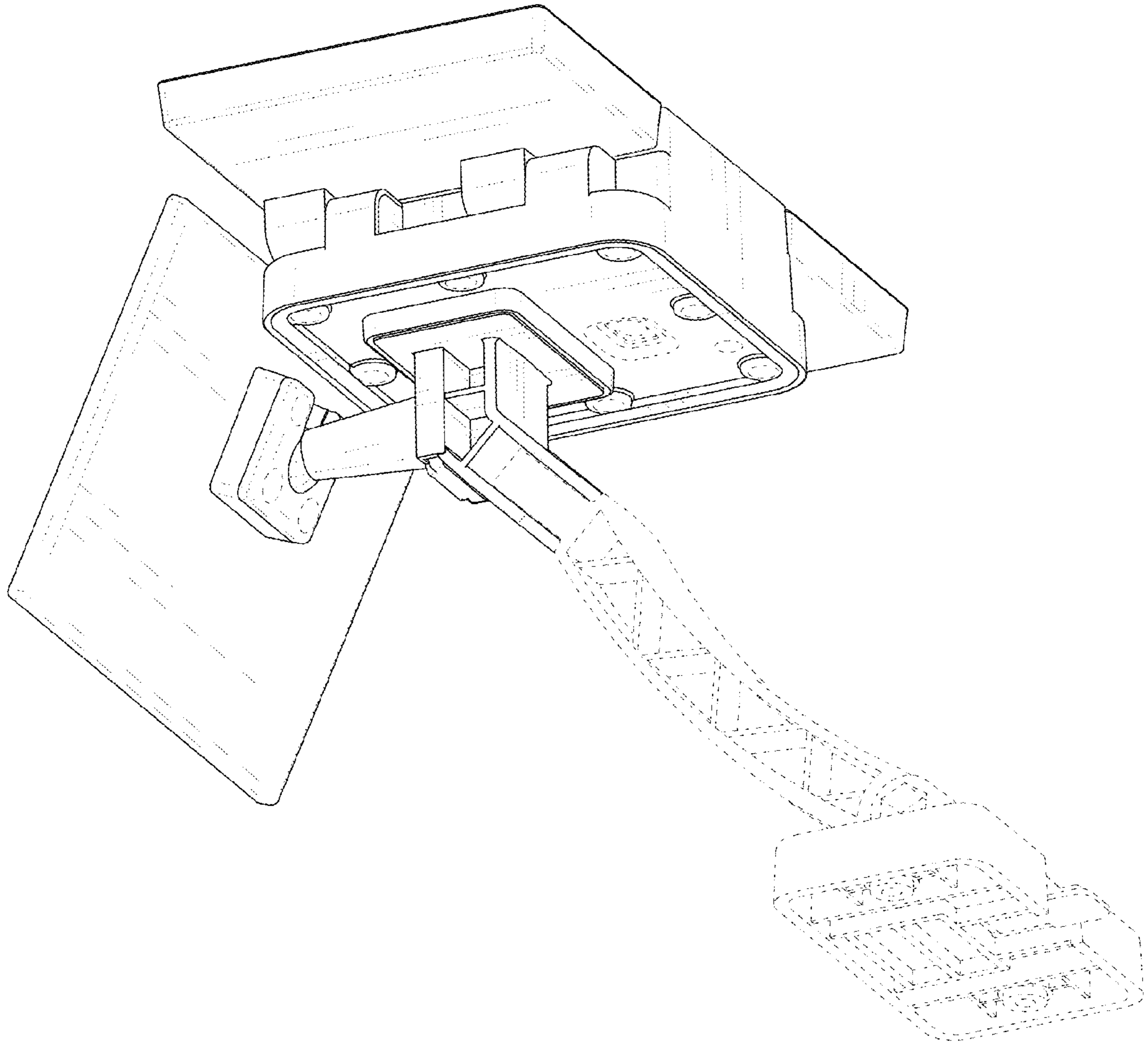


FIG. 2

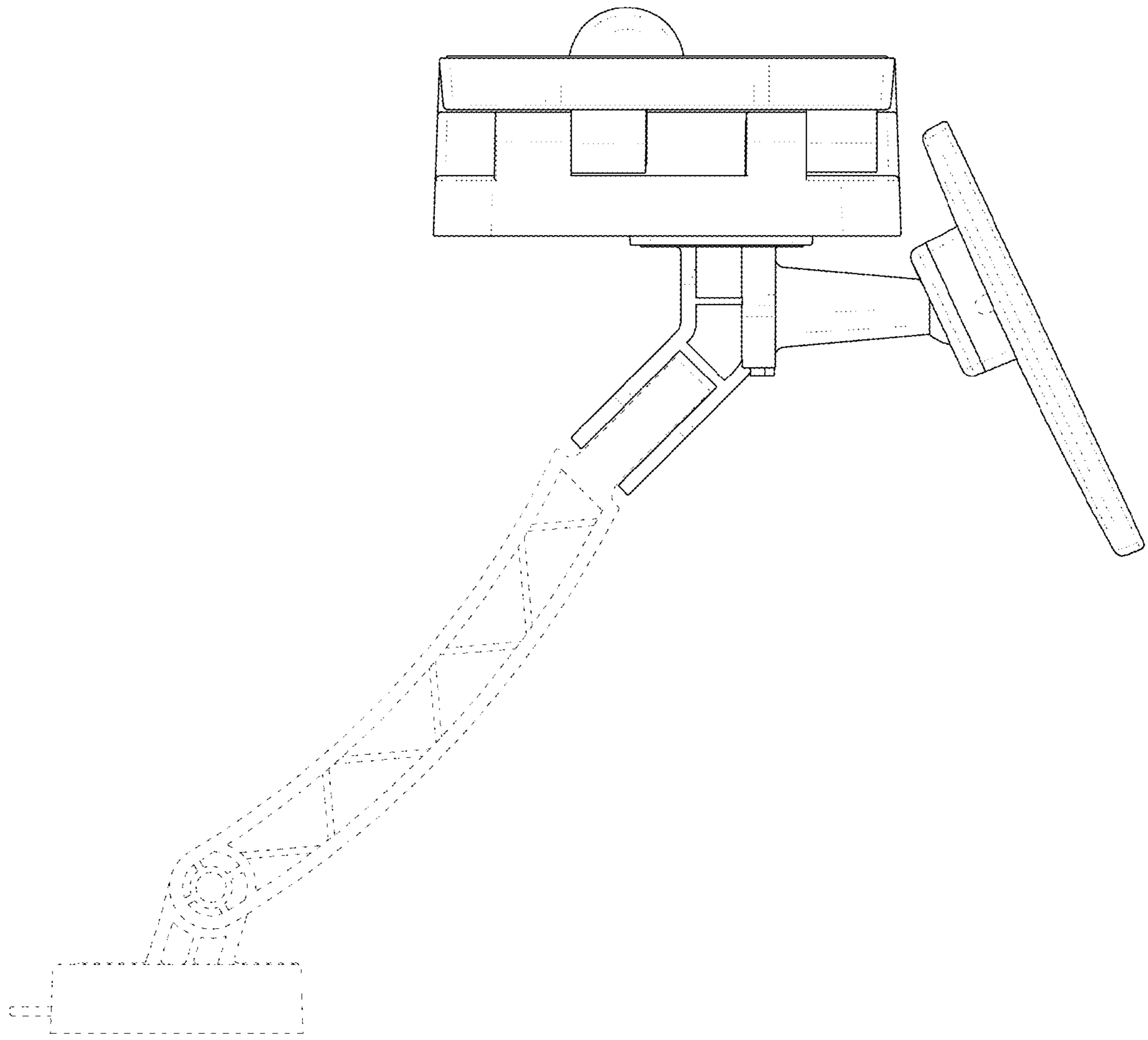


FIG. 3

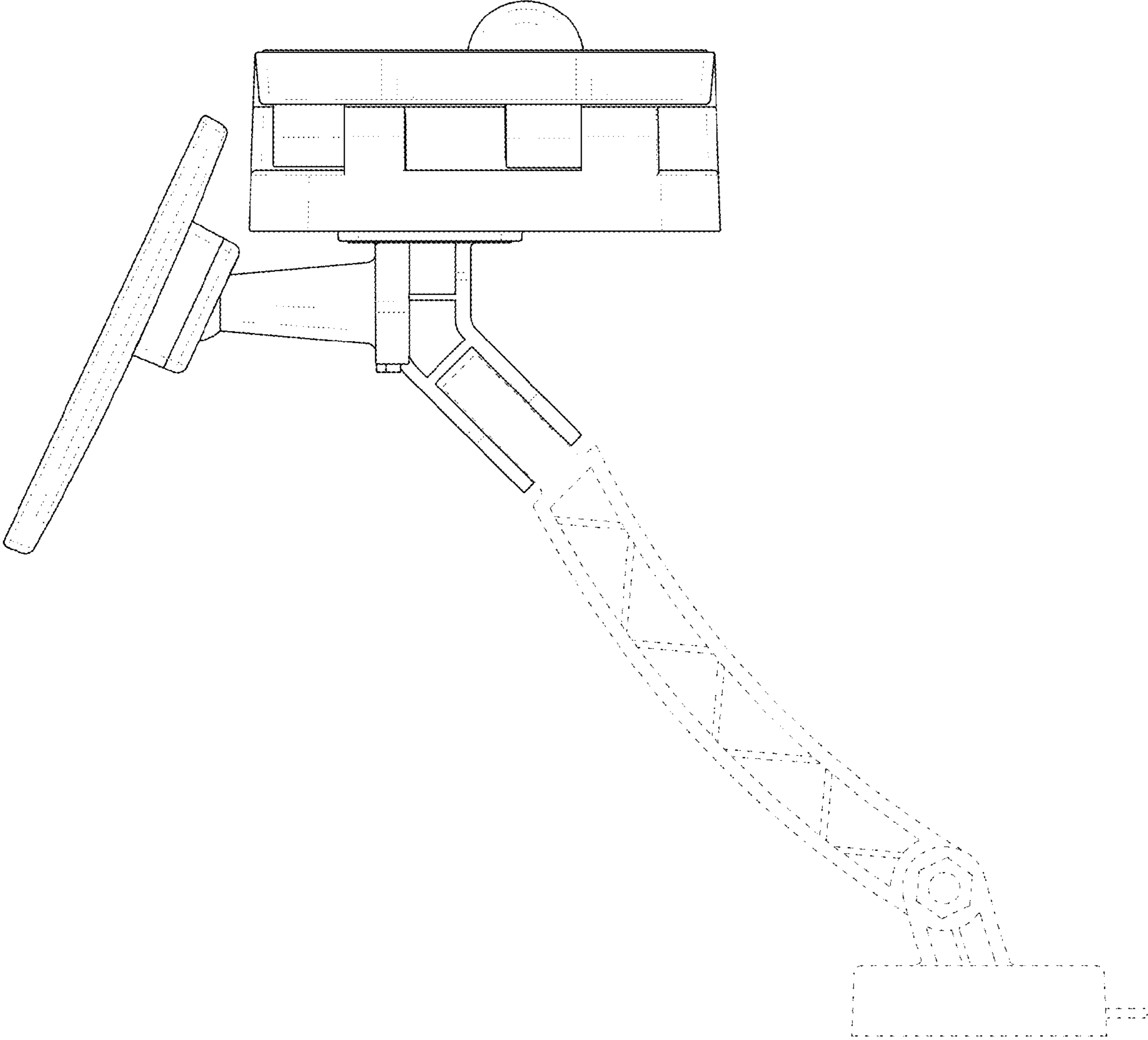


FIG. 4

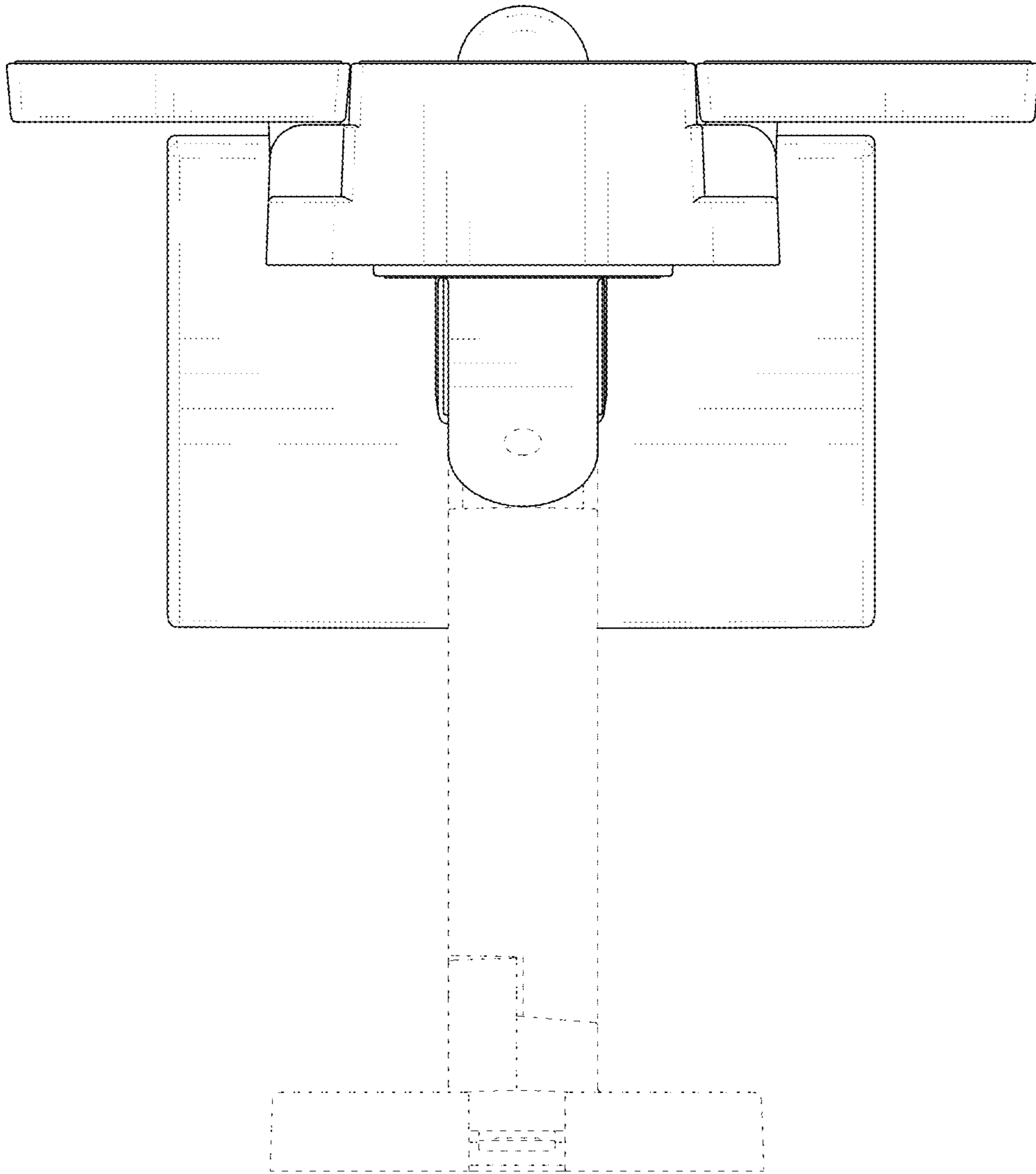


FIG. 5

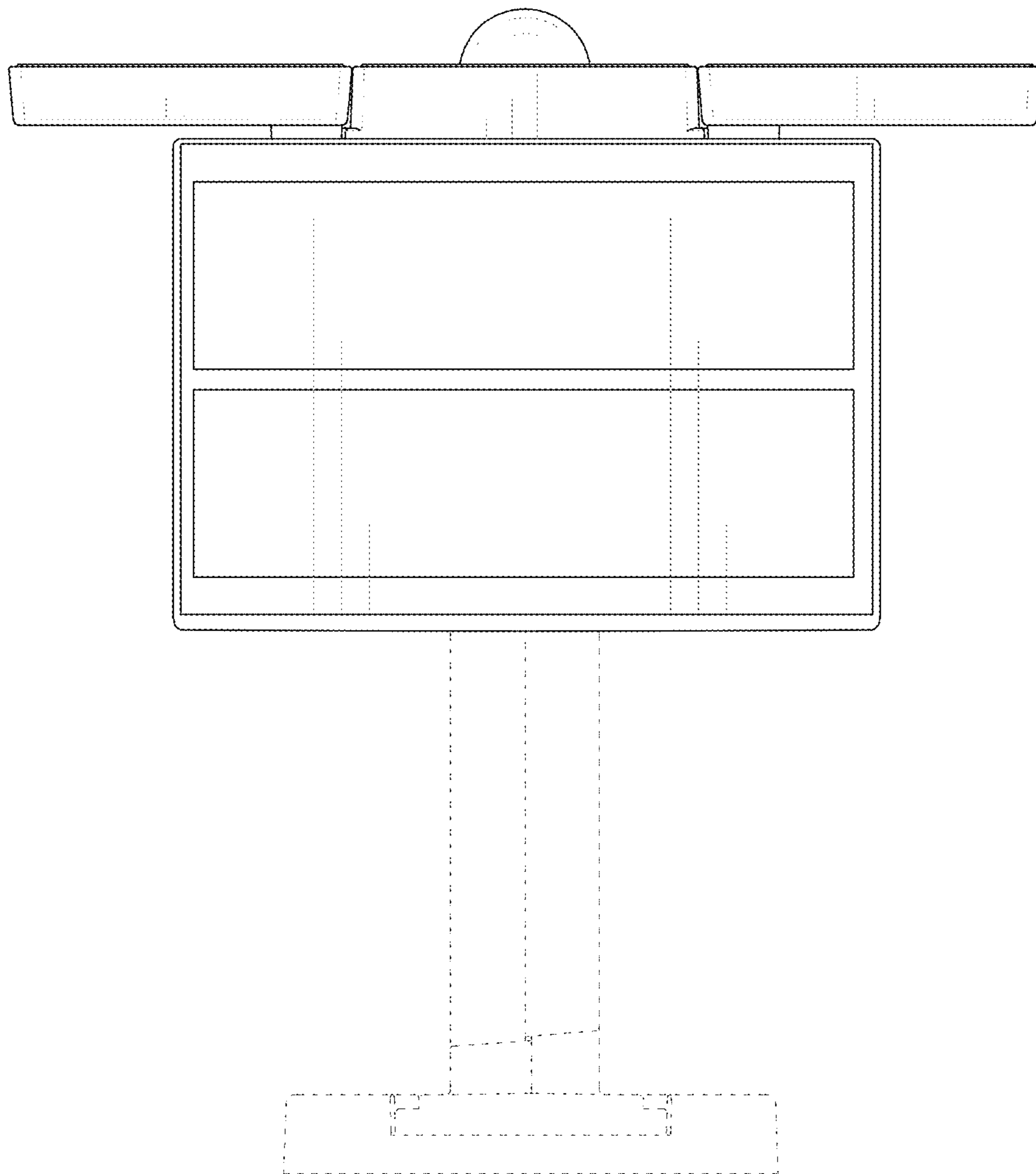


FIG. 6

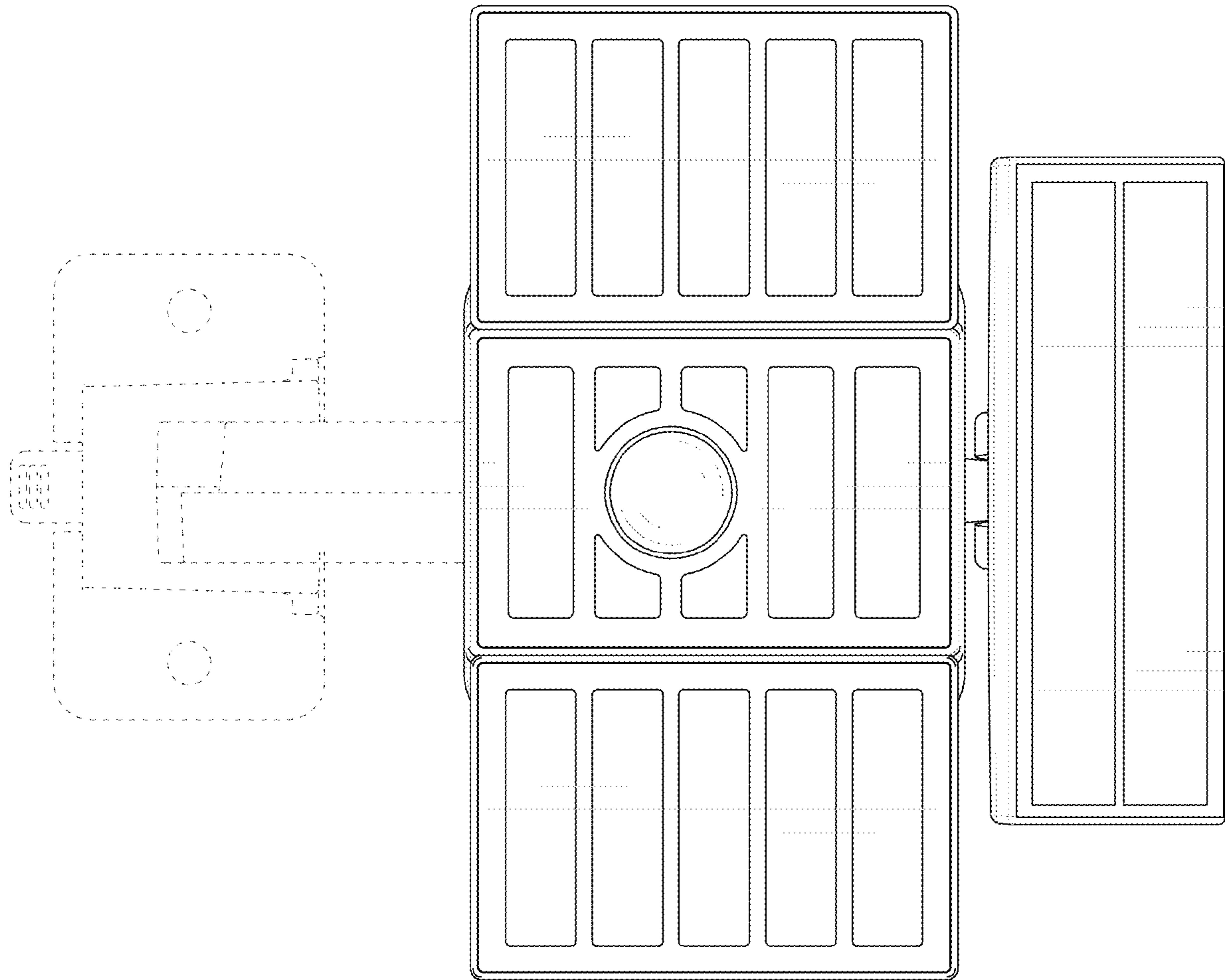


FIG. 7

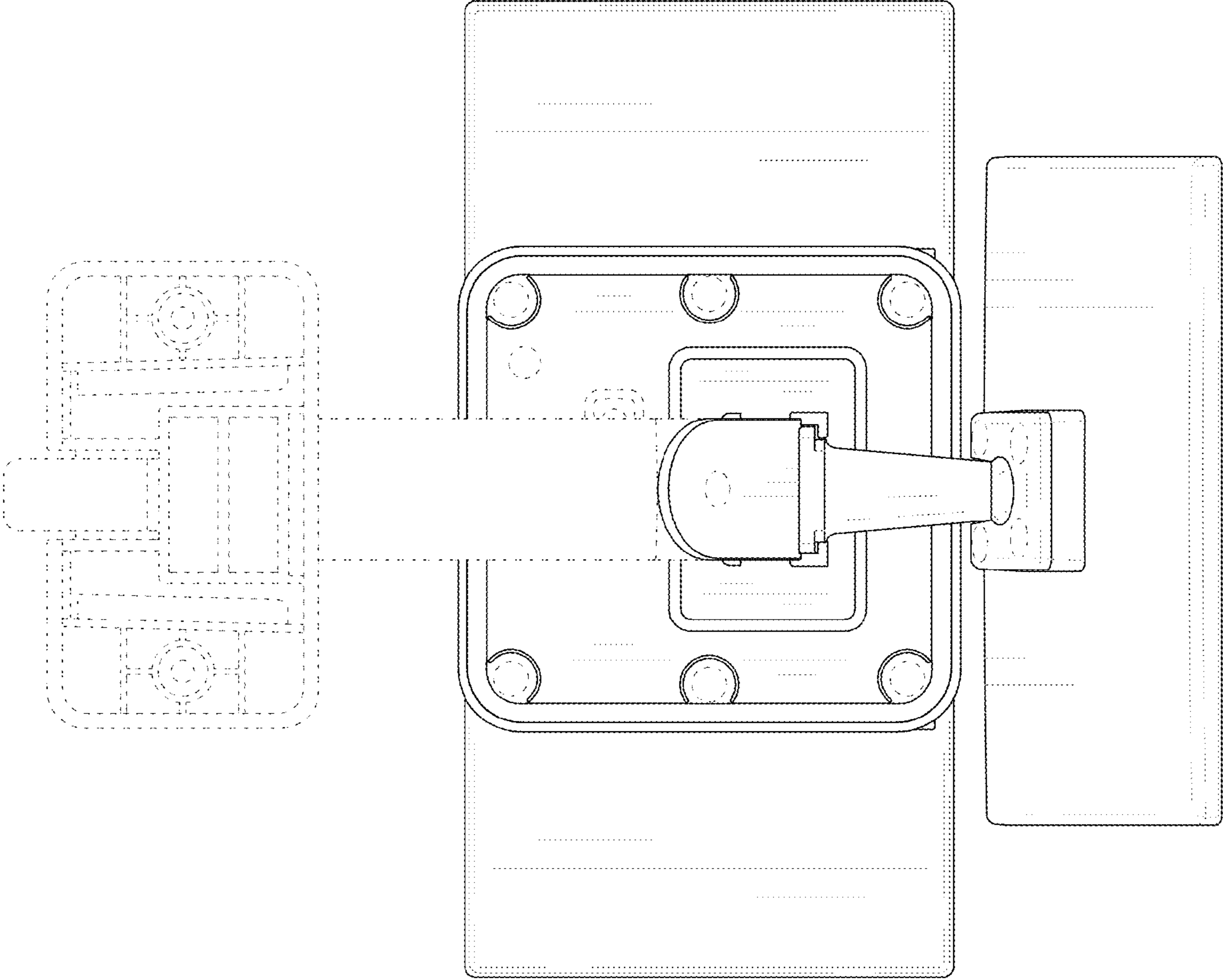


FIG. 8

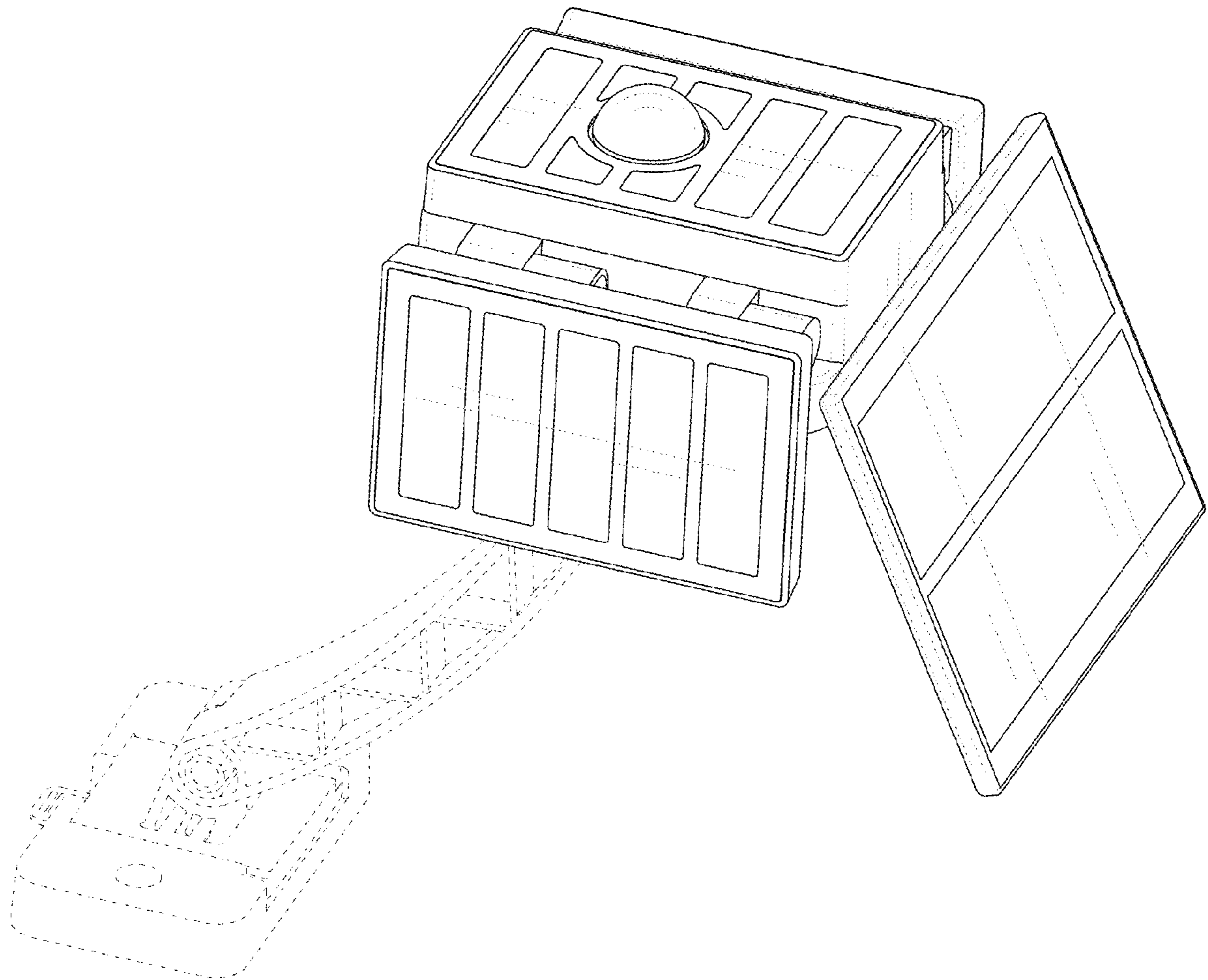


FIG. 9