



US00D984713S

(12) **United States Design Patent** (10) **Patent No.:** **US D984,713 S**
Liu (45) **Date of Patent:** **** Apr. 25, 2023**

(54) **LAMP**
(71) Applicant: **Haijuan Liu**, Jinshi (CN)
(72) Inventor: **Haijuan Liu**, Jinshi (CN)
(**) Term: **15 Years**
(21) Appl. No.: **29/857,245**
(22) Filed: **Oct. 20, 2022**
(51) **LOC (14) Cl.** **26-05**
(52) **U.S. Cl.**
USPC **D26/87; D26/72**
(58) **Field of Classification Search**
USPC D26/24, 25, 61-66, 72, 73, 75-79,
D26/85-88, 93, 102, 104-106, 108-110,
D26/112
CPC F21S 4/00; F21S 4/10; F21S 4/20; F21S
6/00; F21S 6/002; F21S 6/003; F21S
8/00; F21S 8/02; F21S 8/024; F21S
8/026; F21S 8/04; F21V 21/02; F21V
21/06; F21V 21/10; F21V 21/14; F21V
21/28
See application file for complete search history.

(56) **References Cited**
U.S. PATENT DOCUMENTS
D128,285 S * 7/1941 Herr F21K 9/20
362/217.08
D167,718 S * 9/1952 Rabkin D26/87
D261,559 S * 10/1981 Palka D26/87
D295,329 S * 4/1988 Roos D26/104
D423,136 S * 4/2000 Hsieh D26/107
D557,436 S * 12/2007 Lai D26/63
D722,191 S * 2/2015 Sterling H02J 50/10
D26/143
D799,734 S * 10/2017 Zolotykh D26/79
D823,529 S * 7/2018 Pernthaler D26/109
D829,960 S * 10/2018 Sonneman D26/90
D854,727 S * 7/2019 Cole D26/76
D893,077 S * 8/2020 Liu D26/76

D893,791 S 8/2020 Lin
D907,276 S * 1/2021 Jiang D26/87
D907,277 S 1/2021 Jiang
D949,453 S * 4/2022 Zhang D26/72
D953,591 S * 5/2022 Pang D26/109
11,408,596 B1 * 8/2022 Mirth H02J 50/10
D967,483 S * 10/2022 Wu D26/62
(Continued)

OTHER PUBLICATIONS

HTM Lighting Solutions Gooseneck Light Fixture, first available Feb. 13, 2017, retrieved Jan. 14, 2023 from URL: <https://www.amazon.com/dp/B06WGPK147/?th=1> (Year: 2017).*
(Continued)

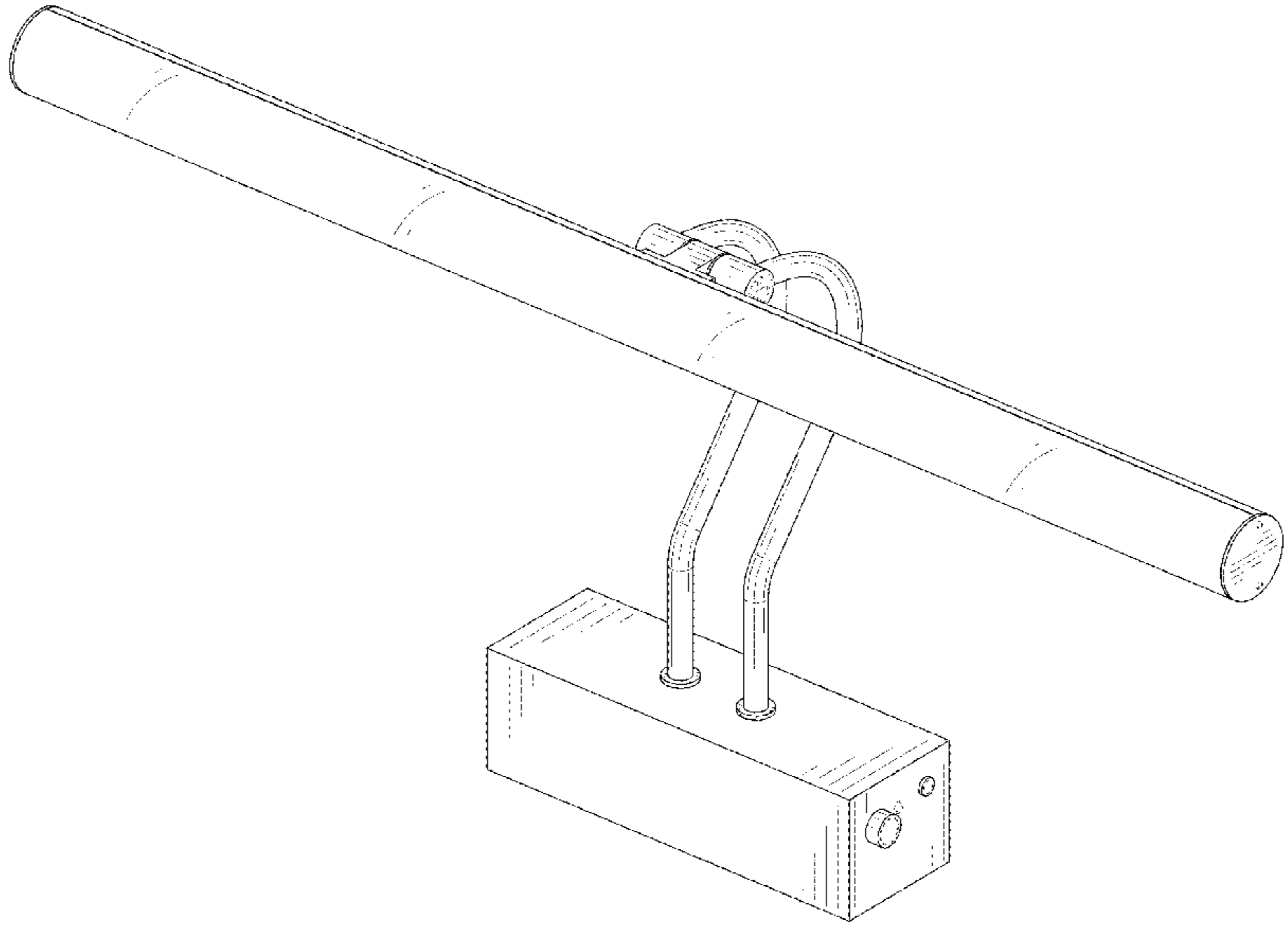
Primary Examiner — Richard Kearney
Assistant Examiner — Christina M. Dodson
(74) *Attorney, Agent, or Firm* — Daniel M. Cohn;
Howard M. Cohn

(57) **CLAIM**
The ornamental design for a lamp, as shown and described.

DESCRIPTION

FIG. 1 is a perspective view of a lamp showing my new design;
FIG. 2 is another perspective view thereof;
FIG. 3 is a front elevational view thereof;
FIG. 4 is a rear elevational view thereof;
FIG. 5 is a left side elevational view thereof;
FIG. 6 is a right side elevational view thereof;
FIG. 7 is a top plan view thereof;
FIG. 8 is a bottom plan view thereof; and,
FIG. 9 is an enlarged view of portion 9 shown in FIG. 2.
The dash-dash broken lines in the drawings depict portions of the lamp that form no part of the claimed design. The dot-dash broken lines represent boundaries of the enlarged portions and form no part of the claimed design.

1 Claim, 9 Drawing Sheets



(56)

References Cited

U.S. PATENT DOCUMENTS

D970,789 S * 11/2022 Hu D26/92
D973,946 S * 12/2022 Feng D26/87
2006/0256584 A1 * 11/2006 Paoluccio F21S 2/005
362/652
2017/0009941 A1 * 1/2017 Chen F21V 23/06
2017/0299124 A1 * 10/2017 Hsu F21K 9/20

OTHER PUBLICATIONS

Renaissance Picture Light, available Mar. 5, 2018, retrieved Jan. 14, 2023 from URL: https://www.lampsplus.com/sfp/5W381/?cm_mmc=GOO-SH-_-NA-_-NA-_-5W381&sourceid=DFGPD5W381&gclid=IaIQobChMIqu-BI_LH_AIVDrICh0bMAO9EAKyAyABEgKAQPD_BwE (Year: 2018).*

Raifoolly Picture Light, first available Apr. 22, 2022, retrieved Jan. 13, 2023 from URL: <https://www.amazon.com/RAIFOOLLY-Rechargeable-Paintings-Dimmable-Dartboard/dp/B09YLDPYL4/?th=1> (Year: 2022).*

Heageero Picture Light, first available Oct. 6, 2022, retrieved Jan. 13, 2023 from URL: <https://www.amazon.com/HEAGEERO-Operated-Wireless-Paintings-Dimmable/dp/B0BHH7LWKB/> (Year: 2022).*

* cited by examiner

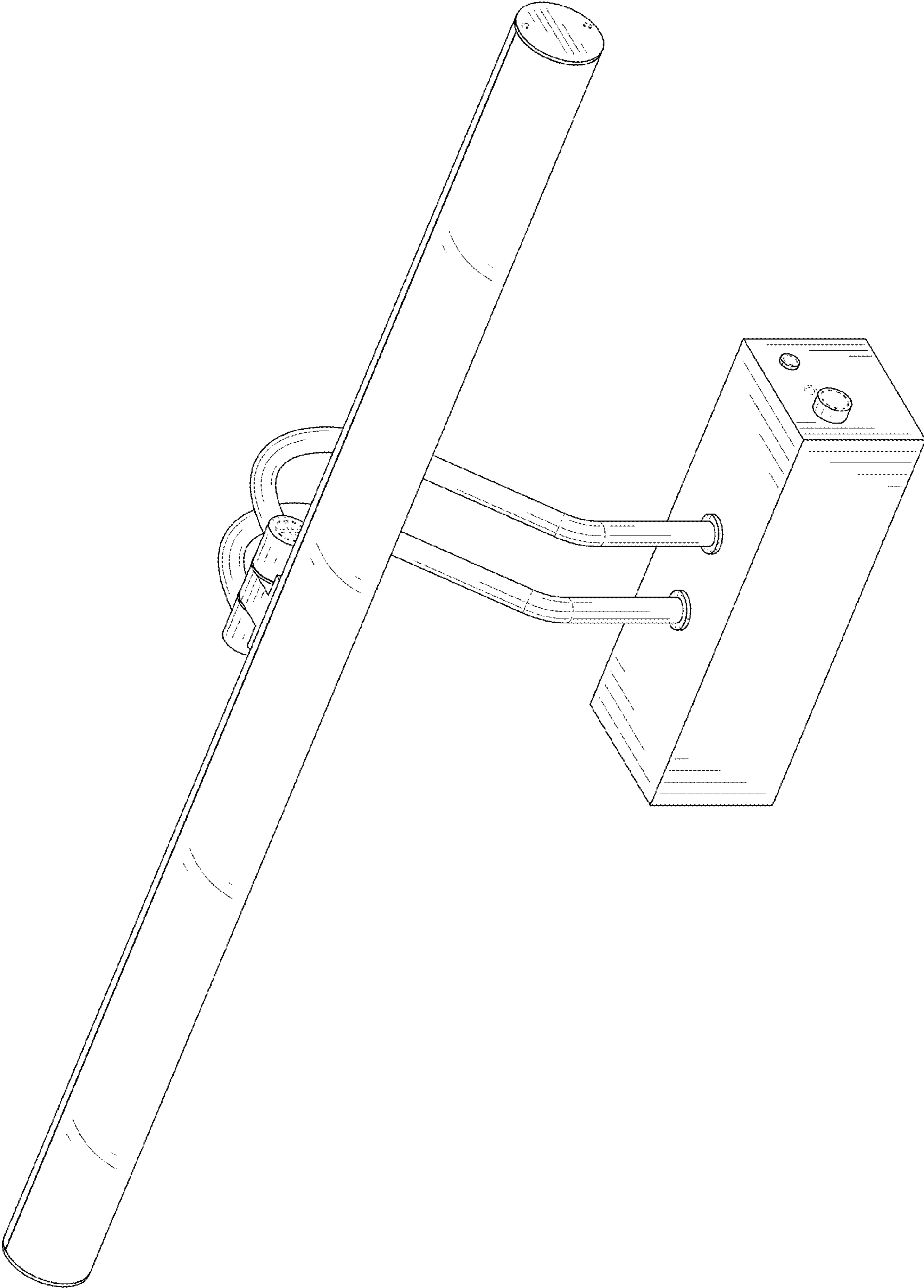


FIG. 1

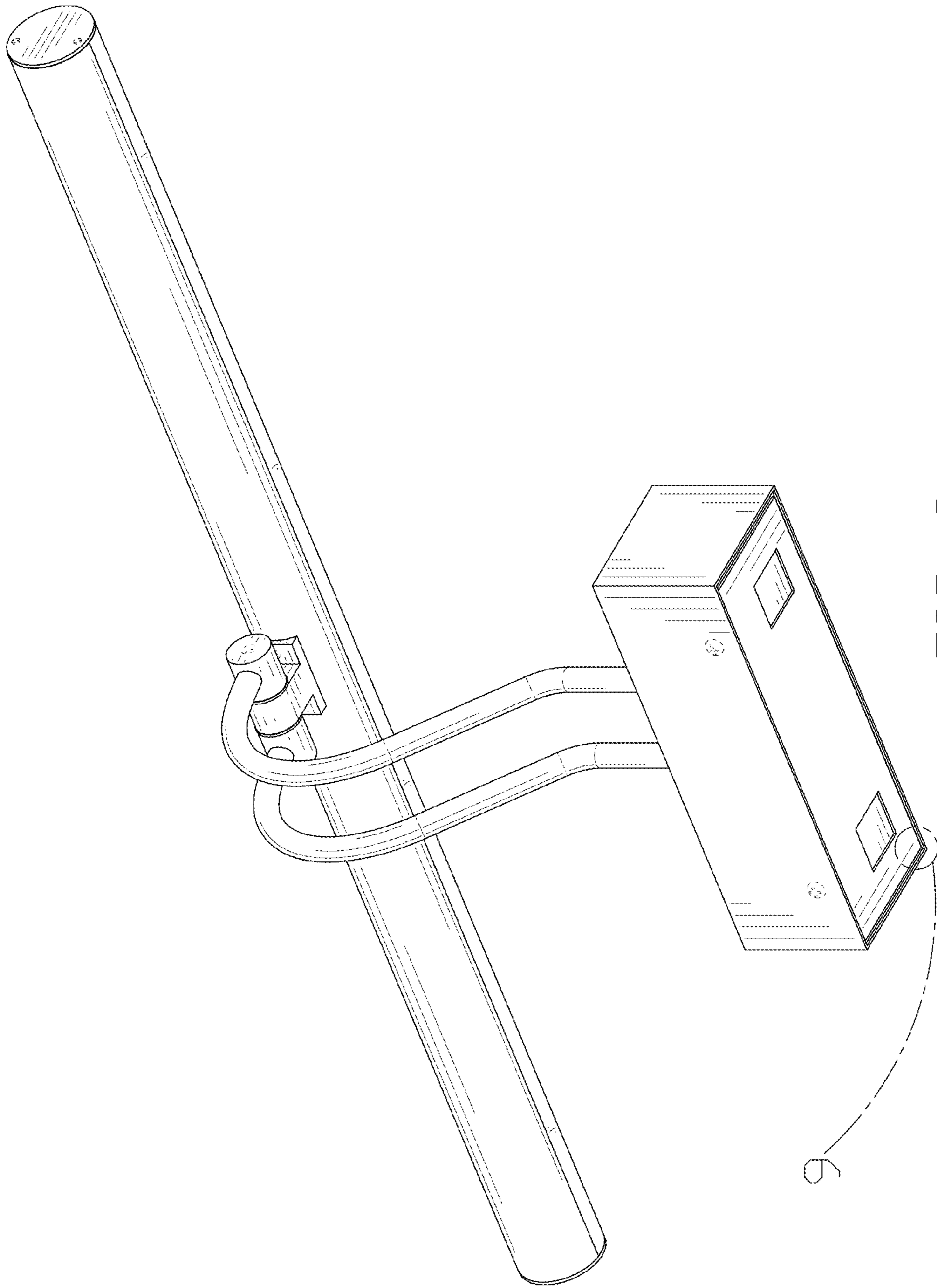


FIG. 2

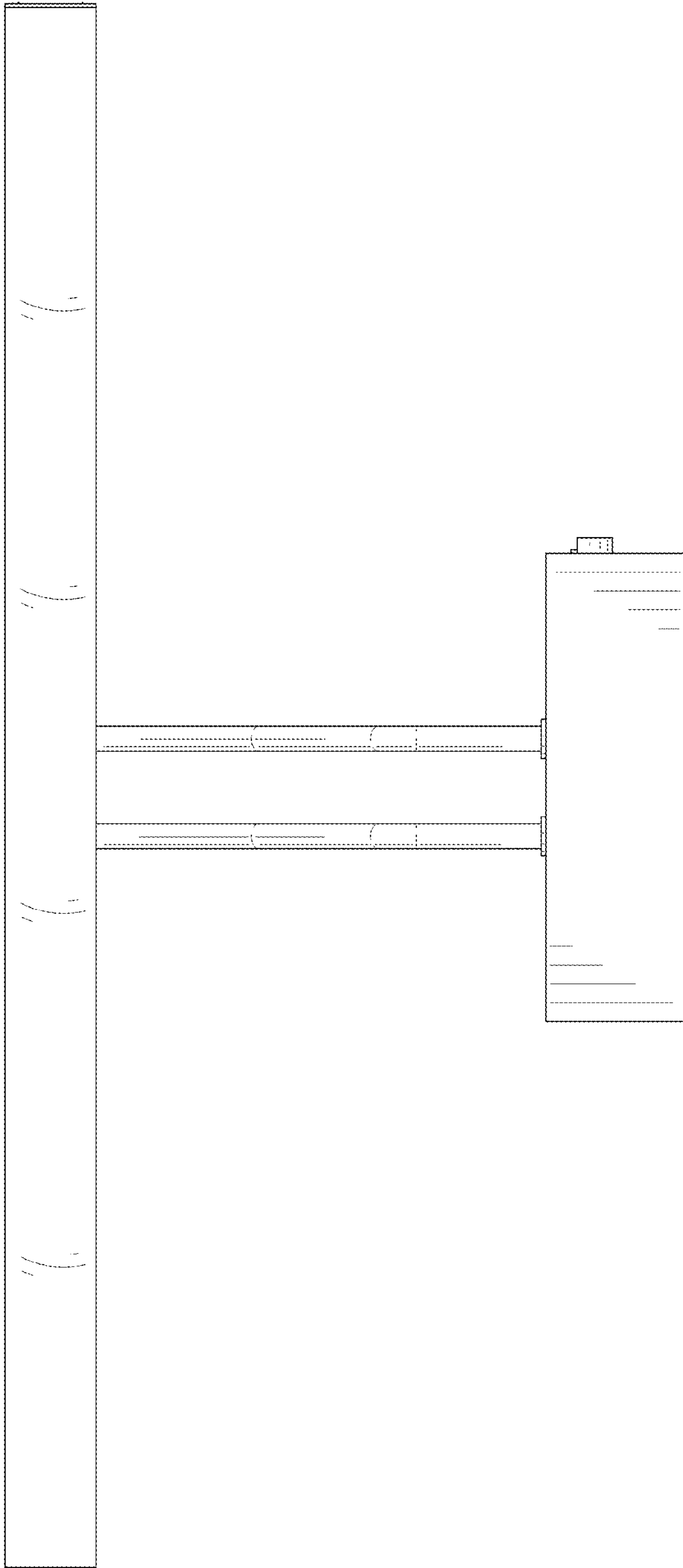


FIG. 3

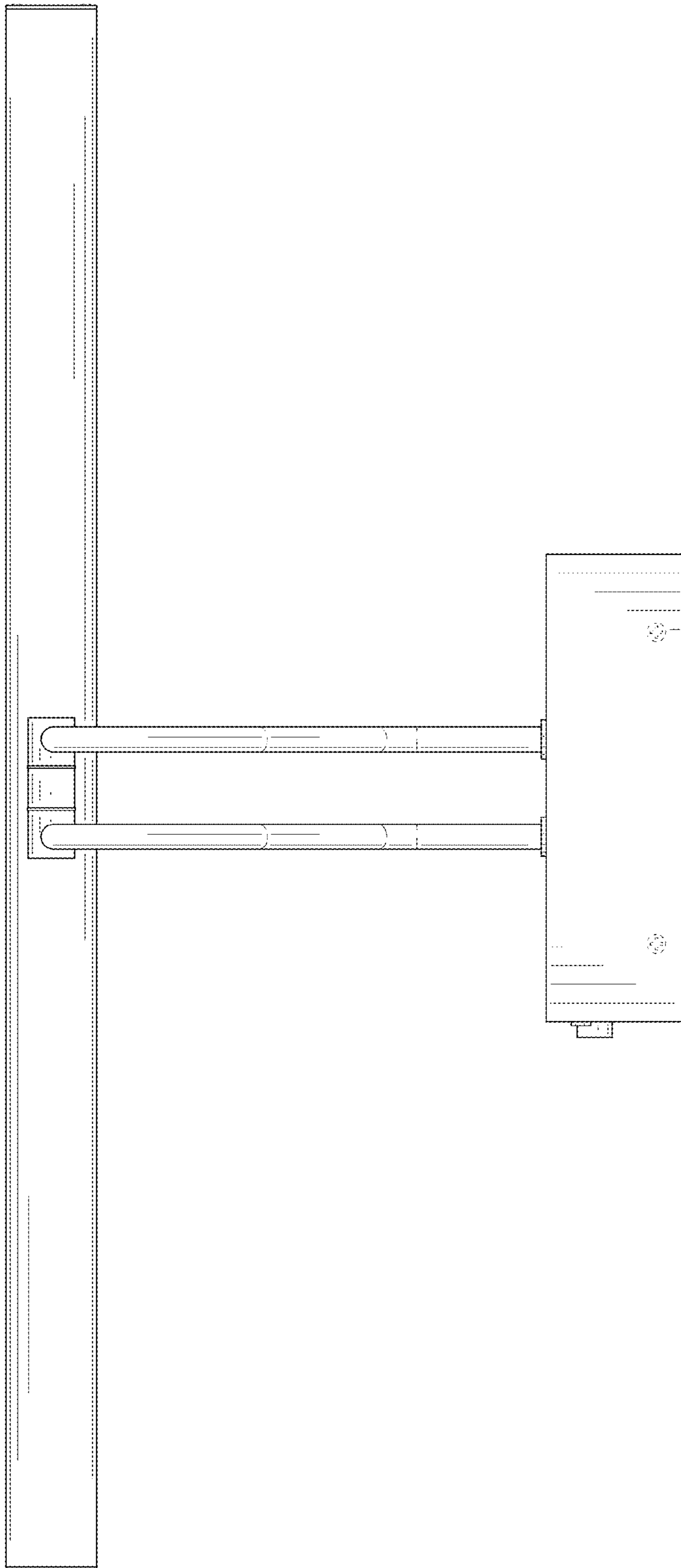


FIG. 4

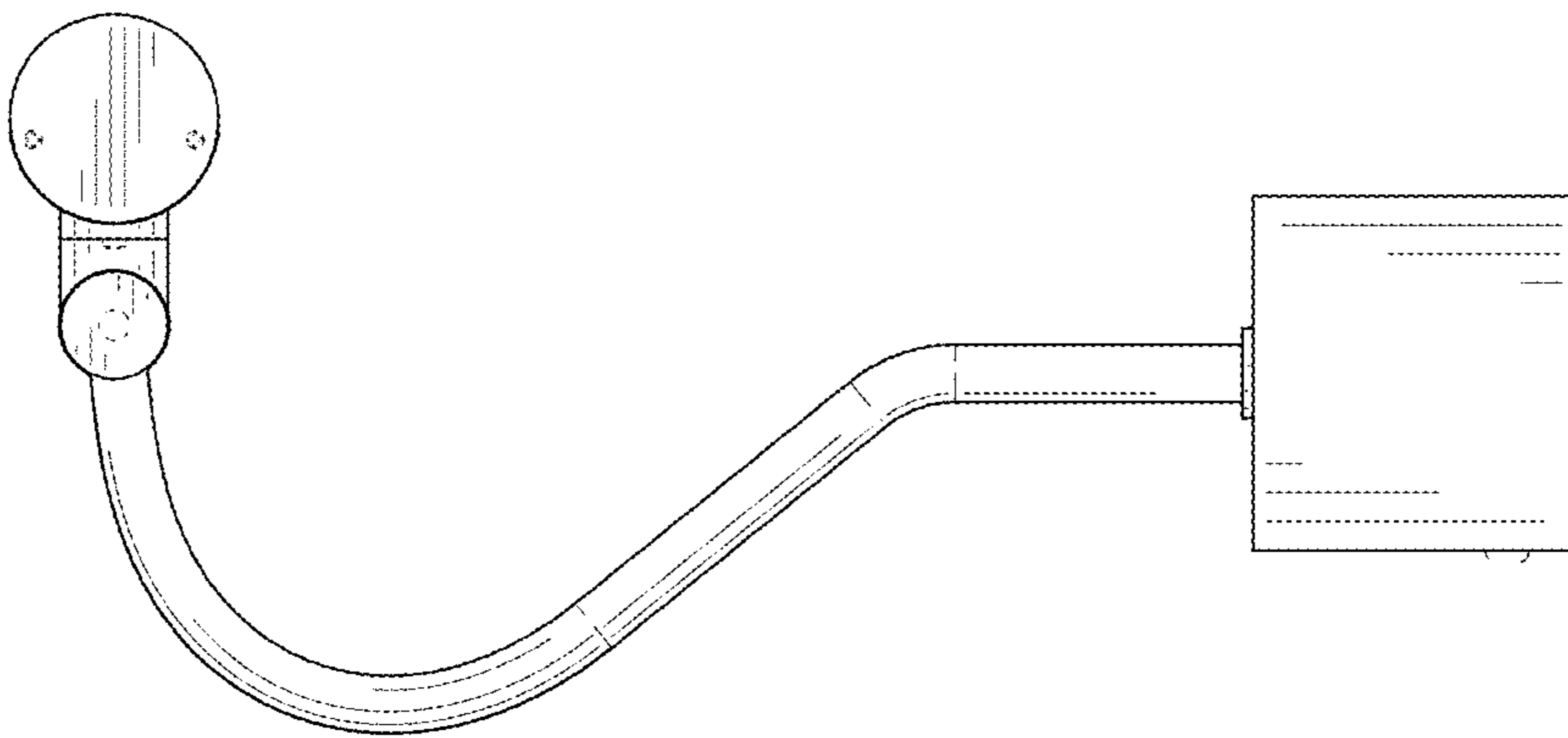


FIG. 5

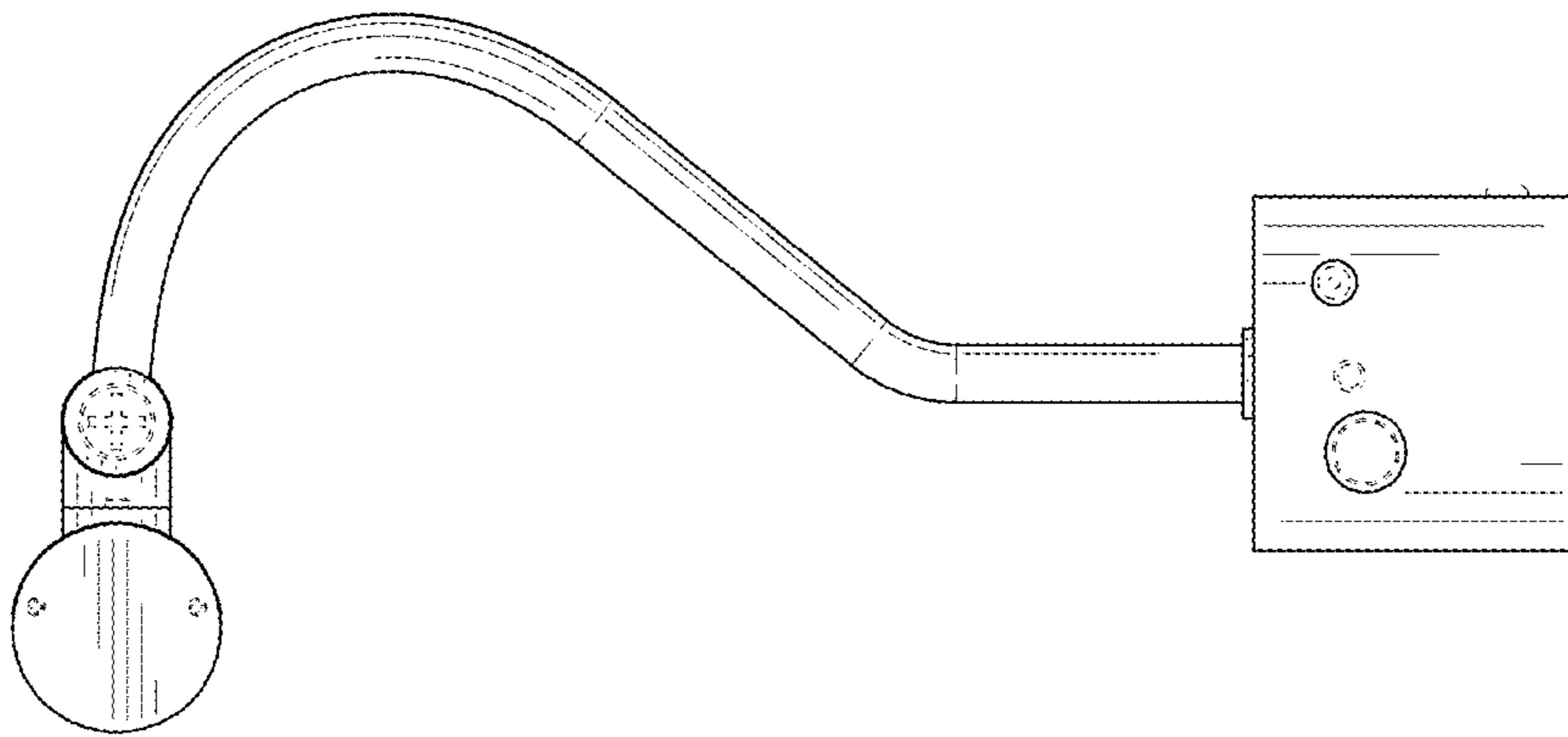


FIG. 6

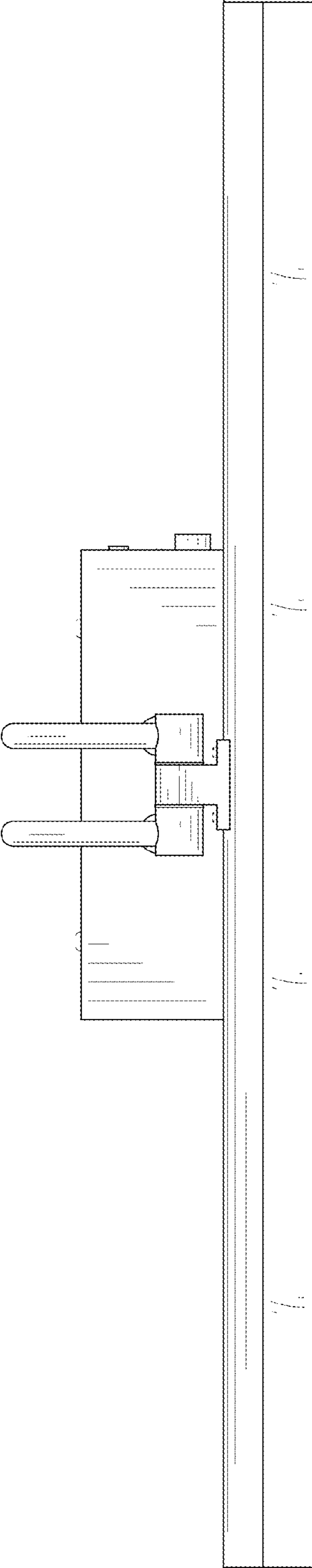


FIG. 7

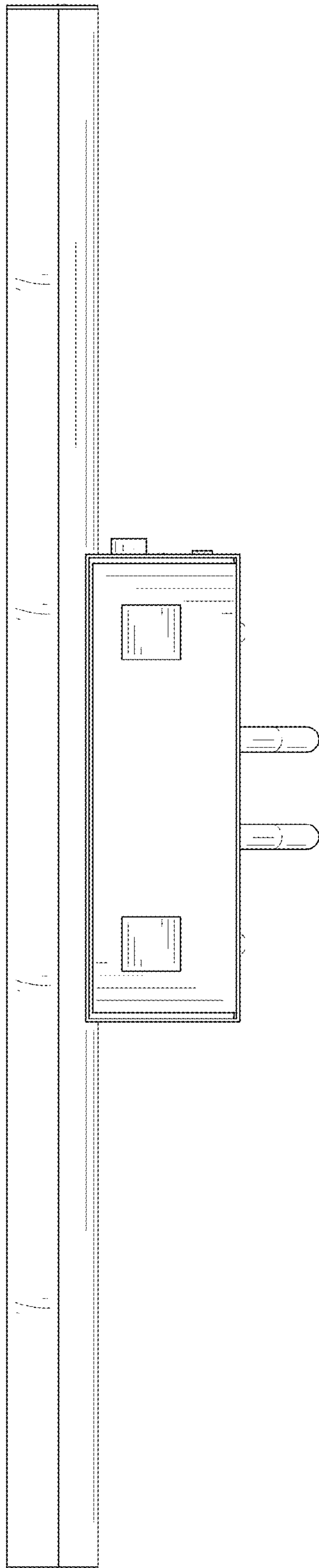


FIG. 8

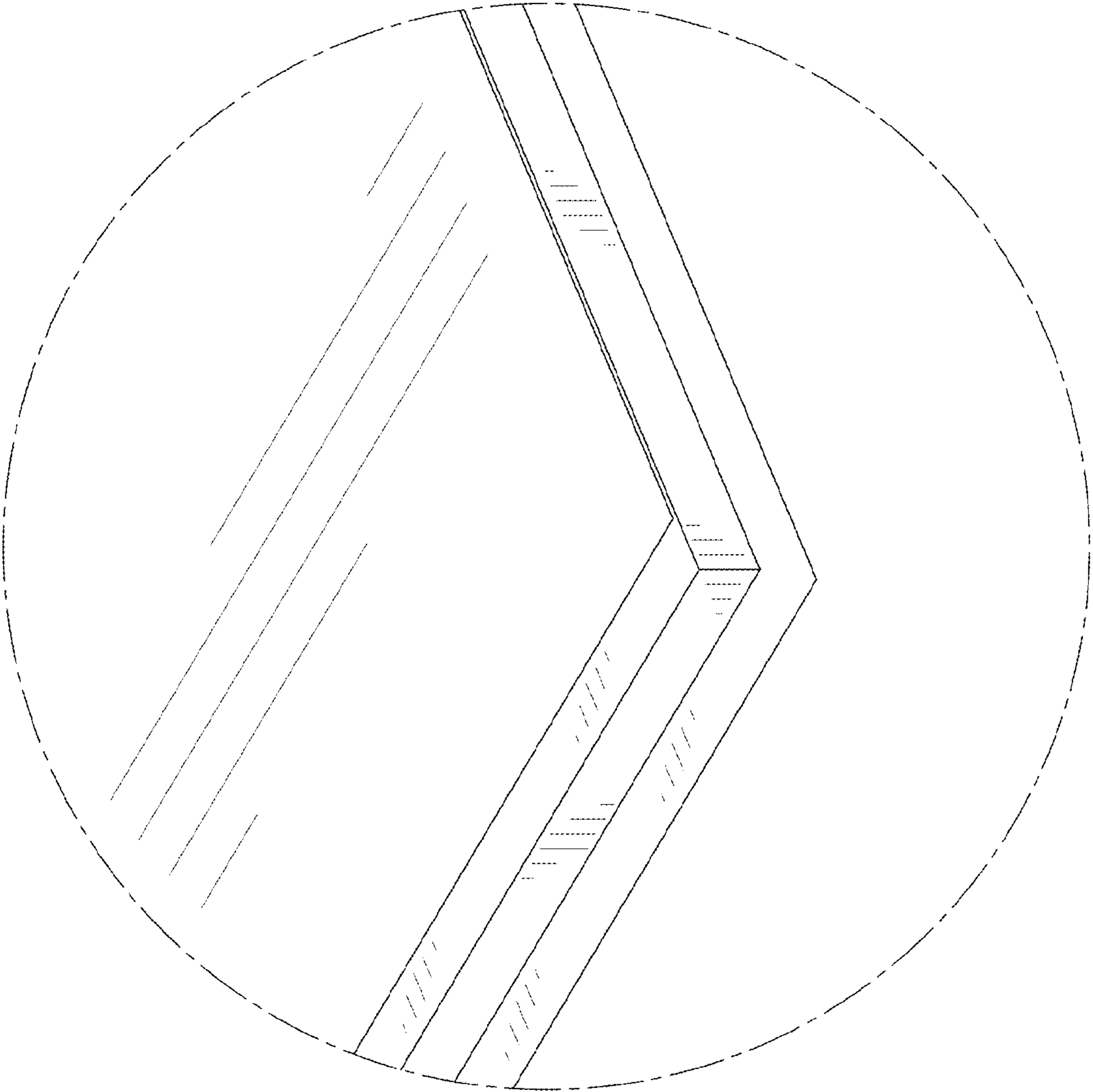


FIG. 9