



US00D984712S

(12) **United States Design Patent** (10) **Patent No.:** **US D984,712 S**
Amato et al. (45) **Date of Patent:** **** Apr. 25, 2023**

(54) **LIGHTING FIXTURE**

(71) Applicant: **The Urban Electric Company**, North Charleston, SC (US)

(72) Inventors: **Michael Amato**, London (GB); **David Dawson**, Charleston, SC (US); **Jonathan Charpia**, Summerville, SC (US); **Hope Johnson**, Folly Beach, SC (US); **Brianna Magagnoli**, North Charleston, SC (US); **Janis Golubeckis**, Mount Pleasant, SC (US)

(73) Assignee: **The Urban Electric Company**, North Charleston, SC (US)

(**) Term: **15 Years**

(21) Appl. No.: **29/749,144**

(22) Filed: **Sep. 3, 2020**

(51) **LOC (14) Cl.** **26-05**

(52) **U.S. Cl.**
USPC **D26/87**

(58) **Field of Classification Search**
USPC D26/72, 80-92
CPC F21S 8/04; F21S 8/043; F21S 8/046; F21S 8/06; F21S 8/061; F21S 8/063; F21S 8/065; F21S 8/066; F21S 8/068
See application file for complete search history.

(56) **References Cited**

U.S. PATENT DOCUMENTS

D441,487 S *	5/2001	Crosby	D26/87
D514,246 S *	1/2006	Hoernig	D26/92
D573,750 S *	7/2008	Starck	D26/87
D574,992 S *	8/2008	Citterio	D26/87
D600,847 S *	9/2009	Wung	D26/71
D626,679 S *	11/2010	Verelst	D26/85
D636,927 S *	4/2011	Lin	D26/138
D653,381 S *	1/2012	Jensen	D26/87
D662,249 S *	6/2012	Wauters	D26/85

D668,379 S *	10/2012	Storey	D26/138
D676,997 S *	2/2013	Tang	D26/87
D697,659 S *	1/2014	Sabernig	D26/87
D783,882 S *	4/2017	Dolan	D26/87
D797,343 S *	9/2017	Torres Torres	D26/68
D817,536 S *	5/2018	Torres Torres	D26/85

(Continued)

OTHER PUBLICATIONS

Eurofase Inc., Colonne Outdoor Wall Sconce. First available Dec. 5, 2021. Searched on Feb. 1, 2023. [https://www.amazon.com/Eurofase-Inc-41971-017-Colonne-Outdoor/dp/B09ZK8CFPH/] (Year: 2021).*
(Continued)

Primary Examiner — W. A. Teddy Falloway
Assistant Examiner — Melissa Adriane Santos
(74) *Attorney, Agent, or Firm* — Haynsworth Sinkler Boyd, P.A.

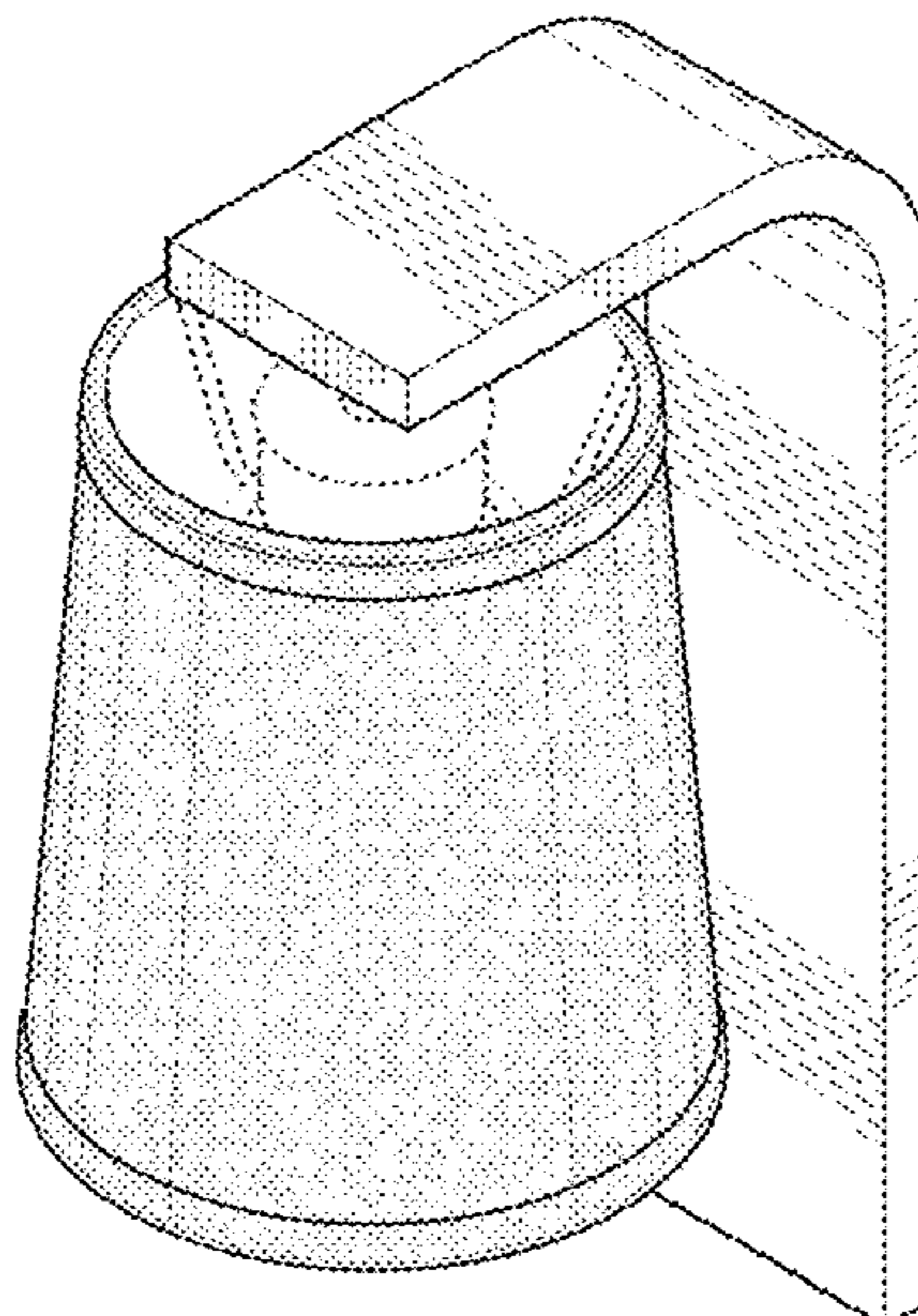
(57) **CLAIM**

The ornamental design for a lighting fixture, as shown and described.

DESCRIPTION

FIG. 1 is a top perspective view of a lighting fixture depicting a new design;
FIG. 2 is a second top perspective view thereof;
FIG. 3 is a front elevational view thereof;
FIG. 4 is a back elevational view thereof;
FIG. 5 is a left elevational view thereof;
FIG. 6 is a right elevational view thereof;
FIG. 7 is a top plan view thereof; and,
FIG. 8 is a bottom plan view thereof.
The dashed lines extending from the lighting fixture in FIGS. 5-8 represent environmental structure which forms no part of the claimed design. The remaining broken line disclosures in the views represent portions of the lighting fixture that form no part of the claimed design.

1 Claim, 8 Drawing Sheets



(56)

References Cited

U.S. PATENT DOCUMENTS

D854,221 S * 7/2019 Hecht D26/87
D922,658 S * 6/2021 Chen D26/86
D941,518 S * 1/2022 Van Duysen D26/87

OTHER PUBLICATIONS

Rejuvenation, Wagner 6" Sconce. First available unknown. Searched on Feb. 1, 2023. [<https://www.rejuvenation.com/catalog/products/wagner-6-sconce-oil-rubbed-bronze>] (Year: 2023).*

Viokef Lighting, Polina Wall Lamp. First available unknown. Searched on Feb. 1, 2023. [<https://viokef.com/search/en/wall-lamp-polina-2476>] (Year: 2023).*

* cited by examiner

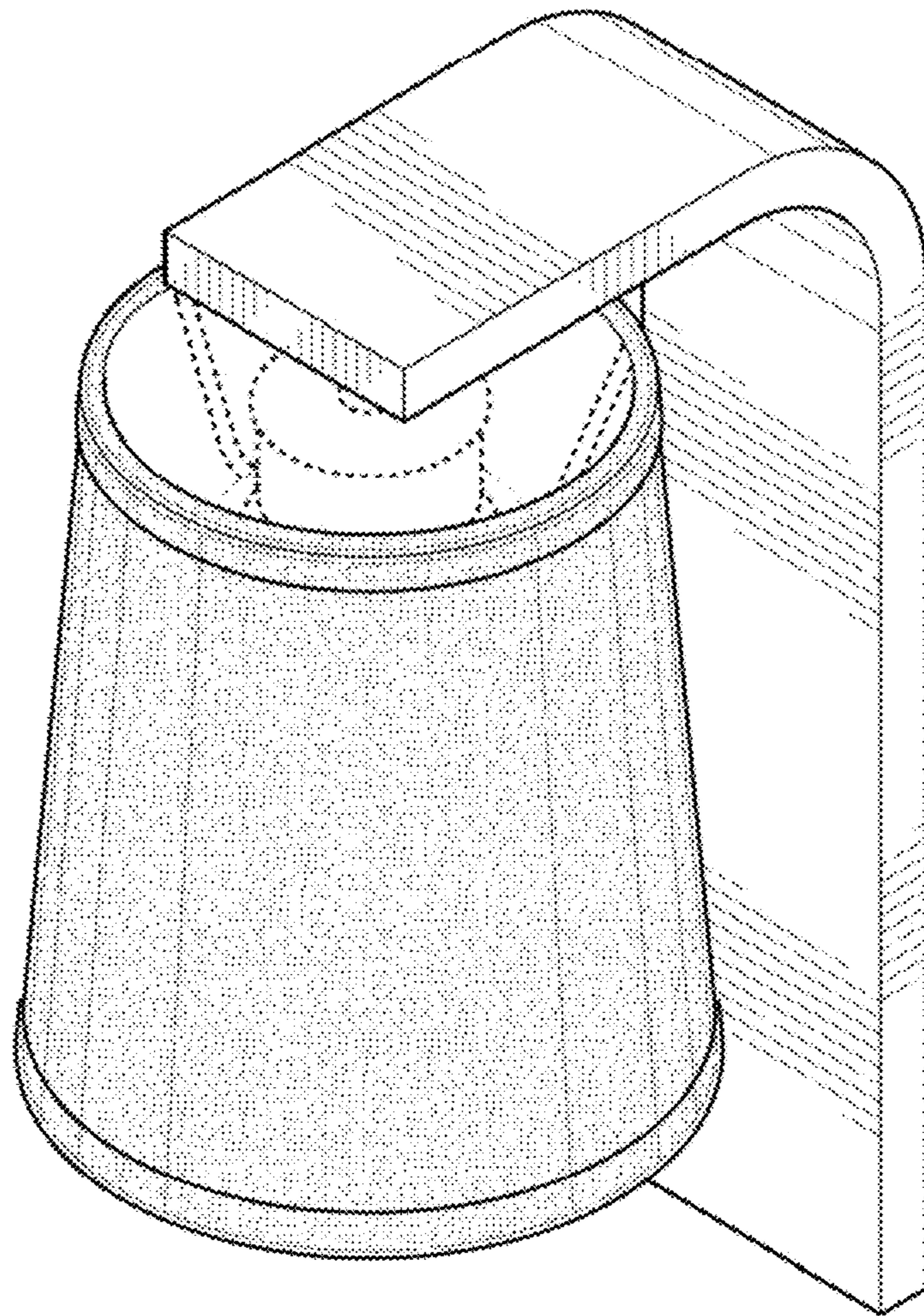


FIG. 1

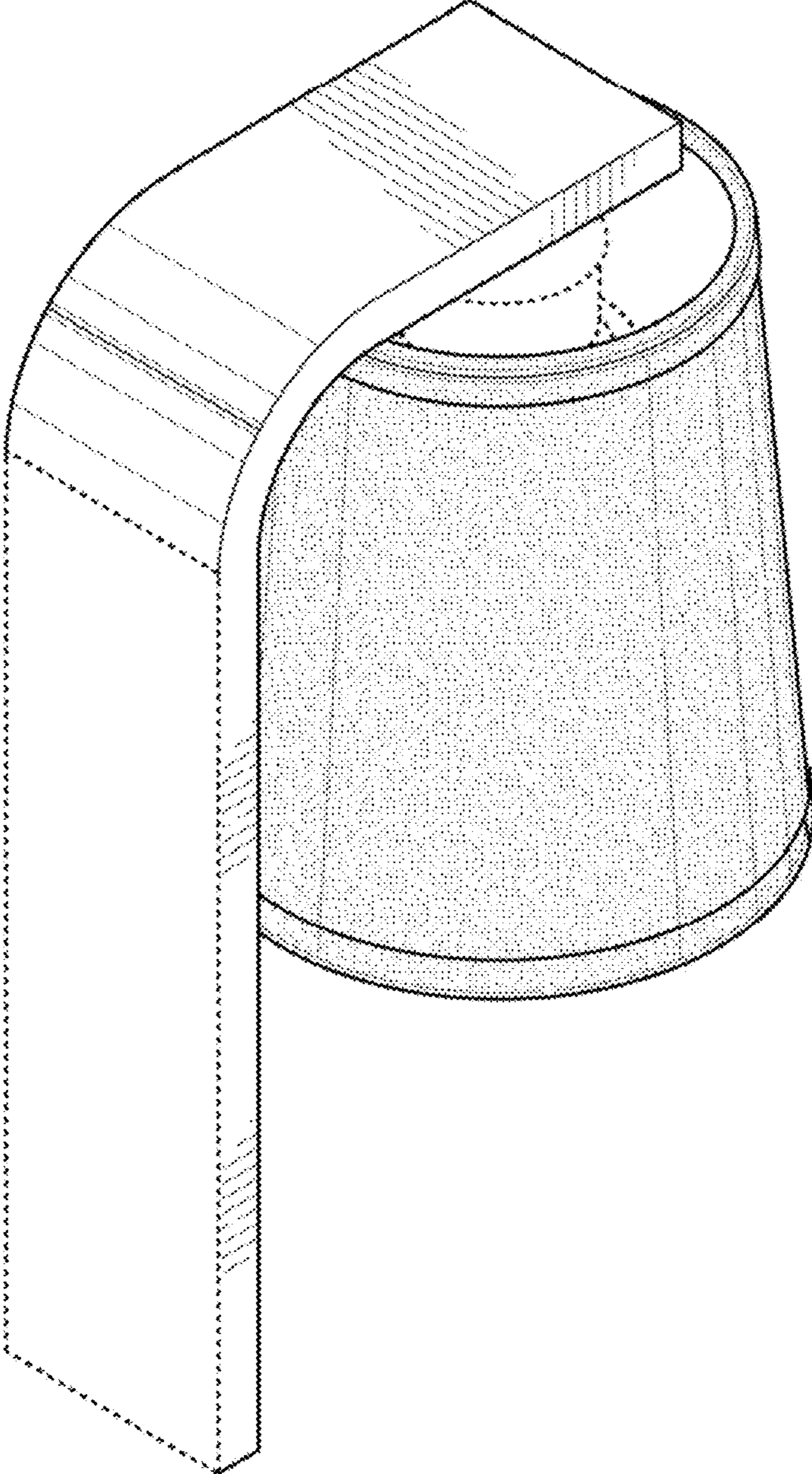


FIG. 2

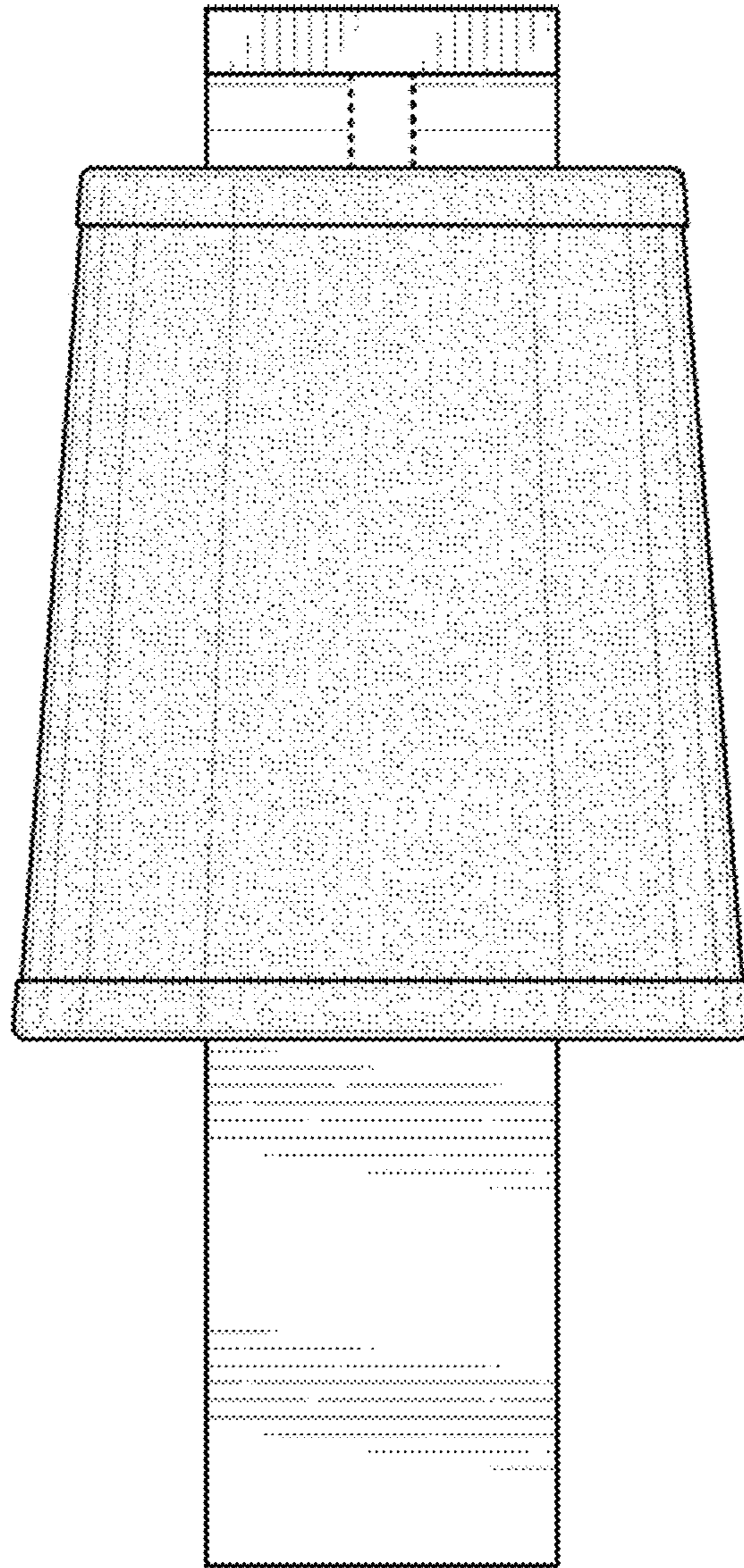


FIG. 3

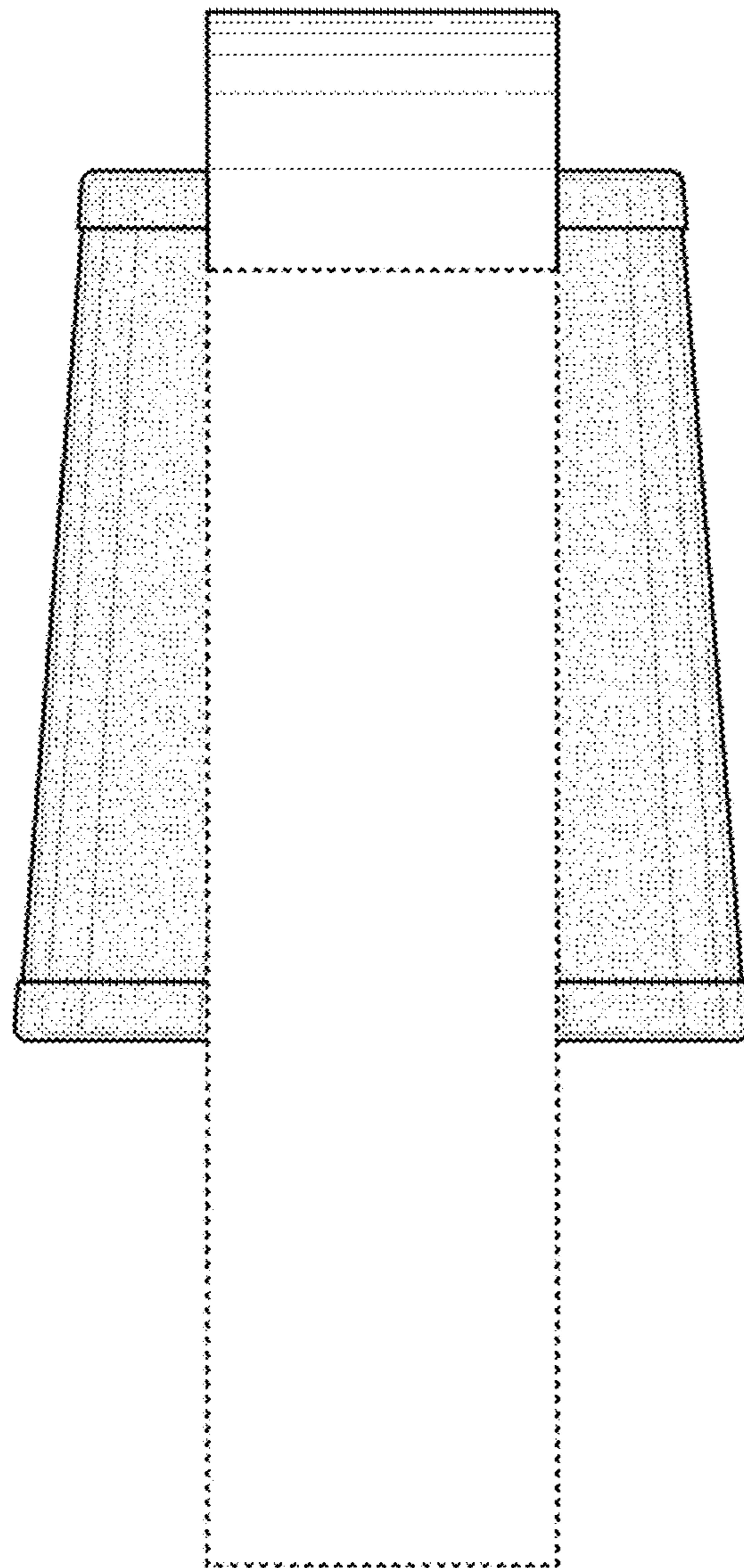


FIG. 4

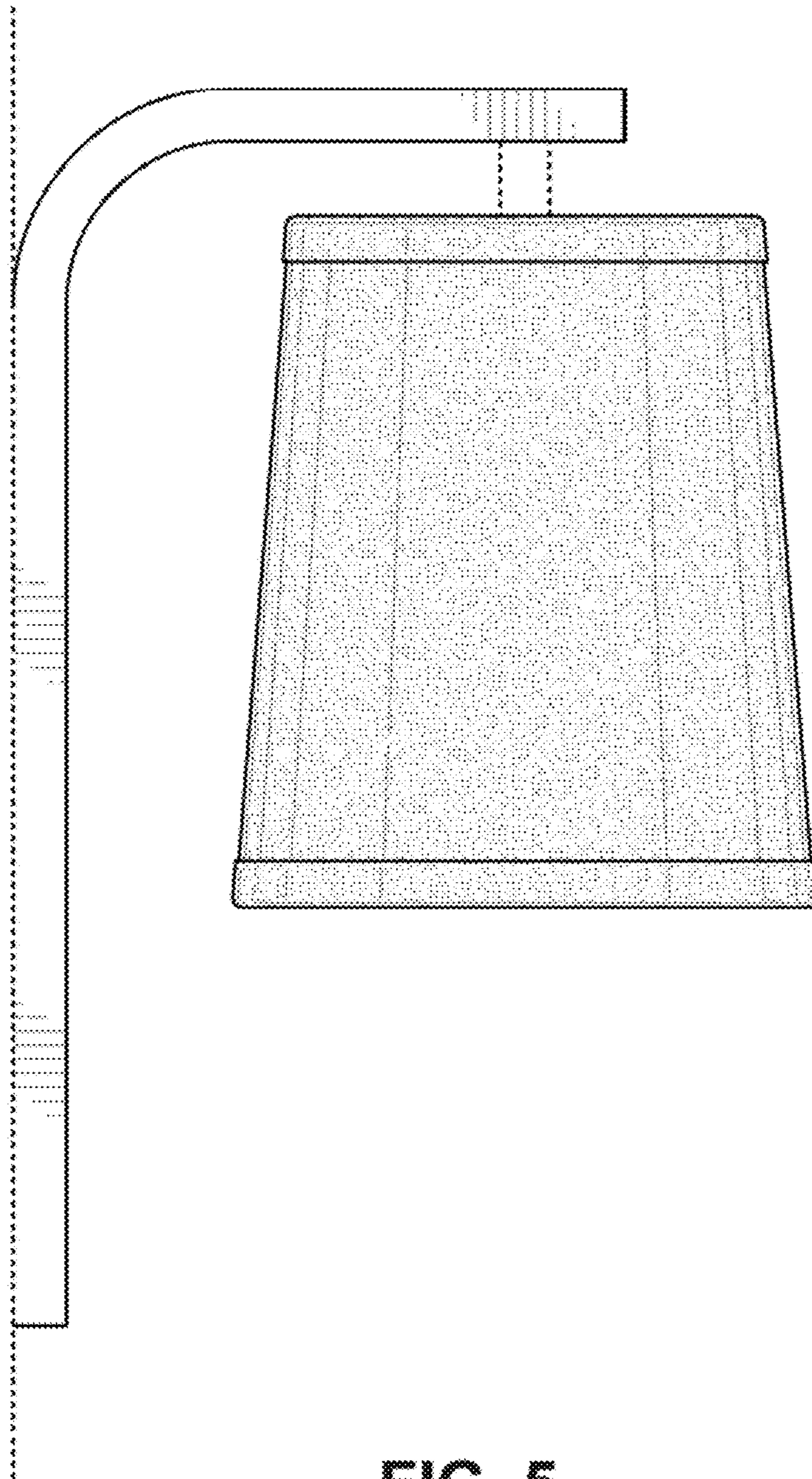


FIG. 5

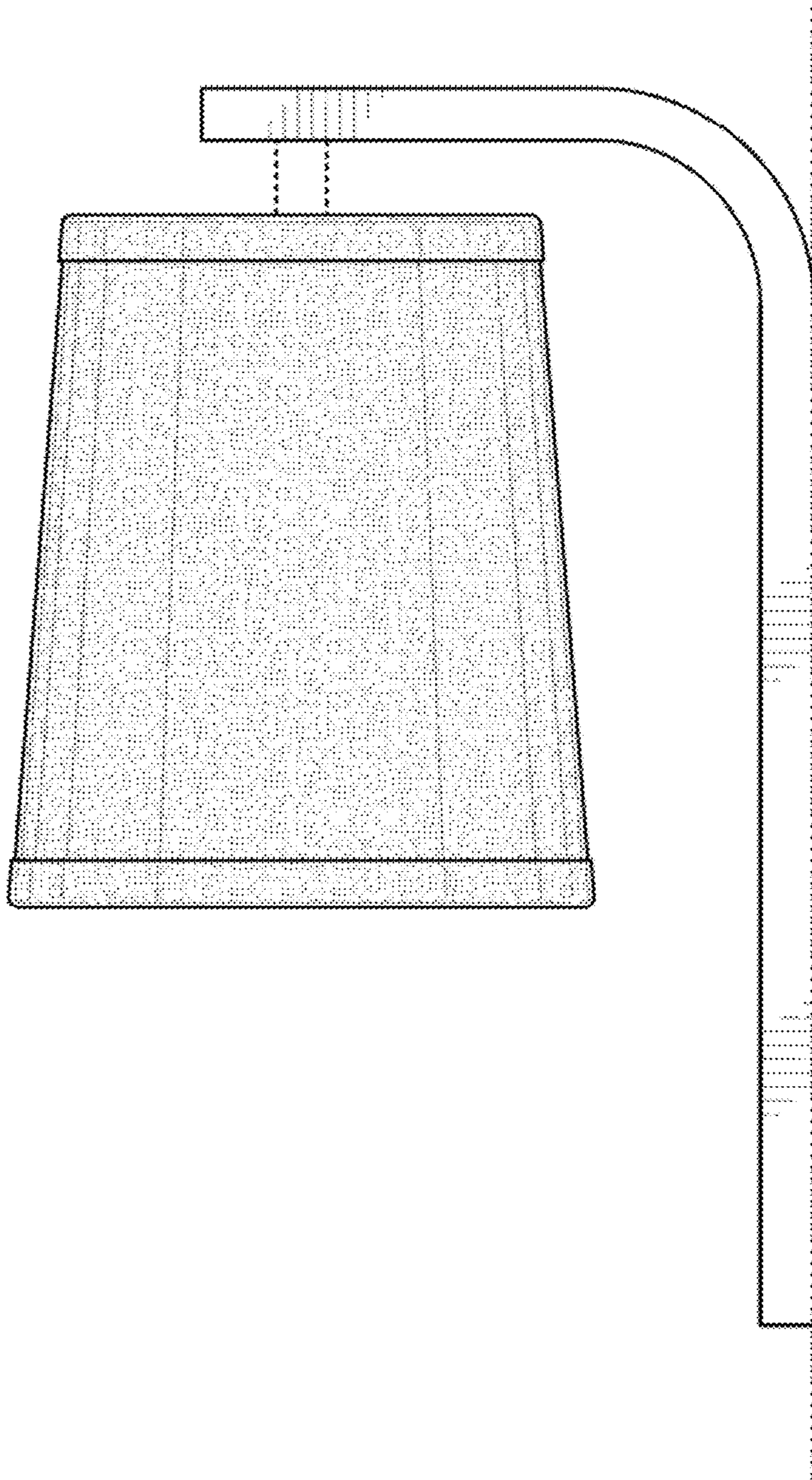


FIG. 6

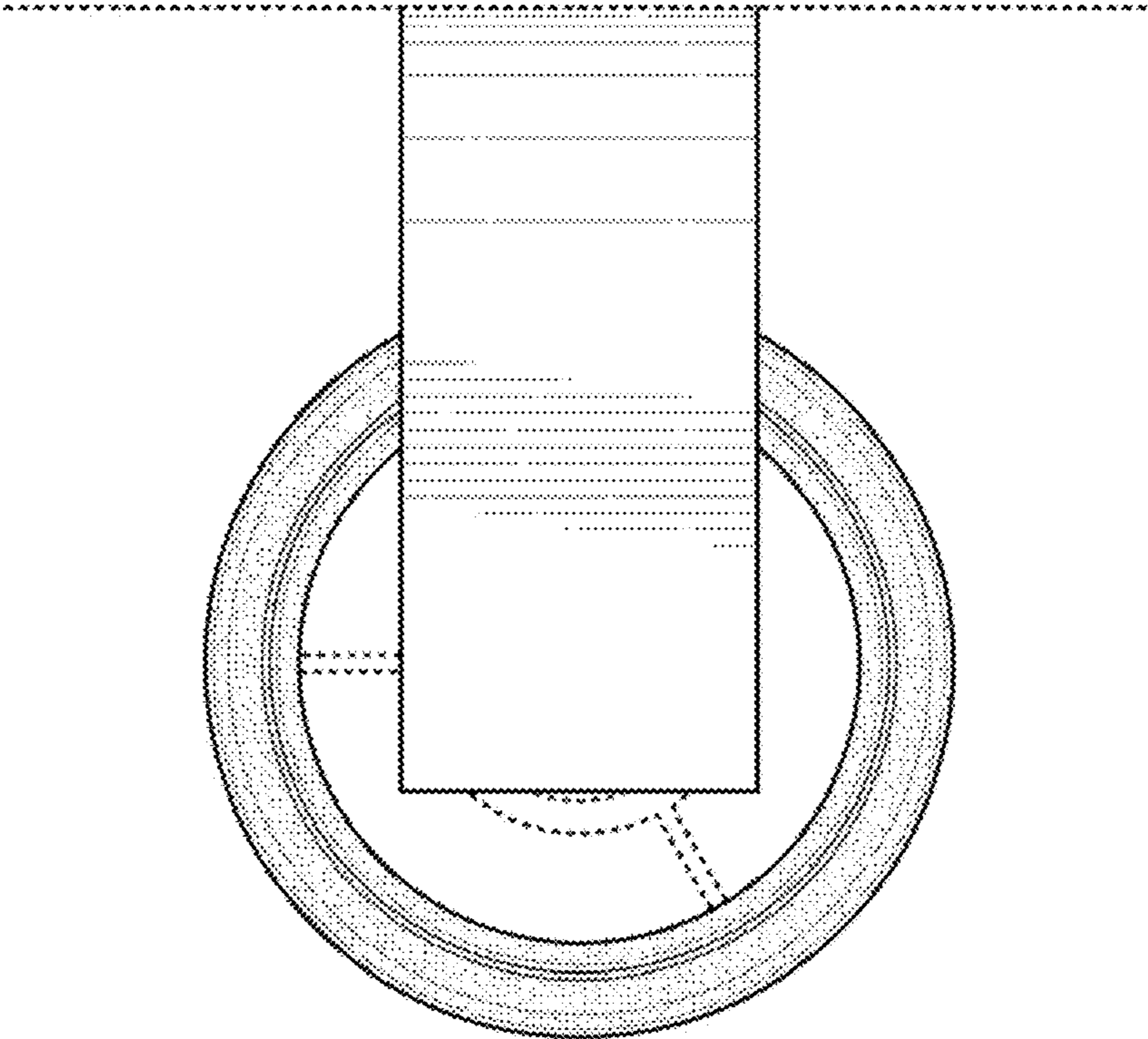


FIG. 7

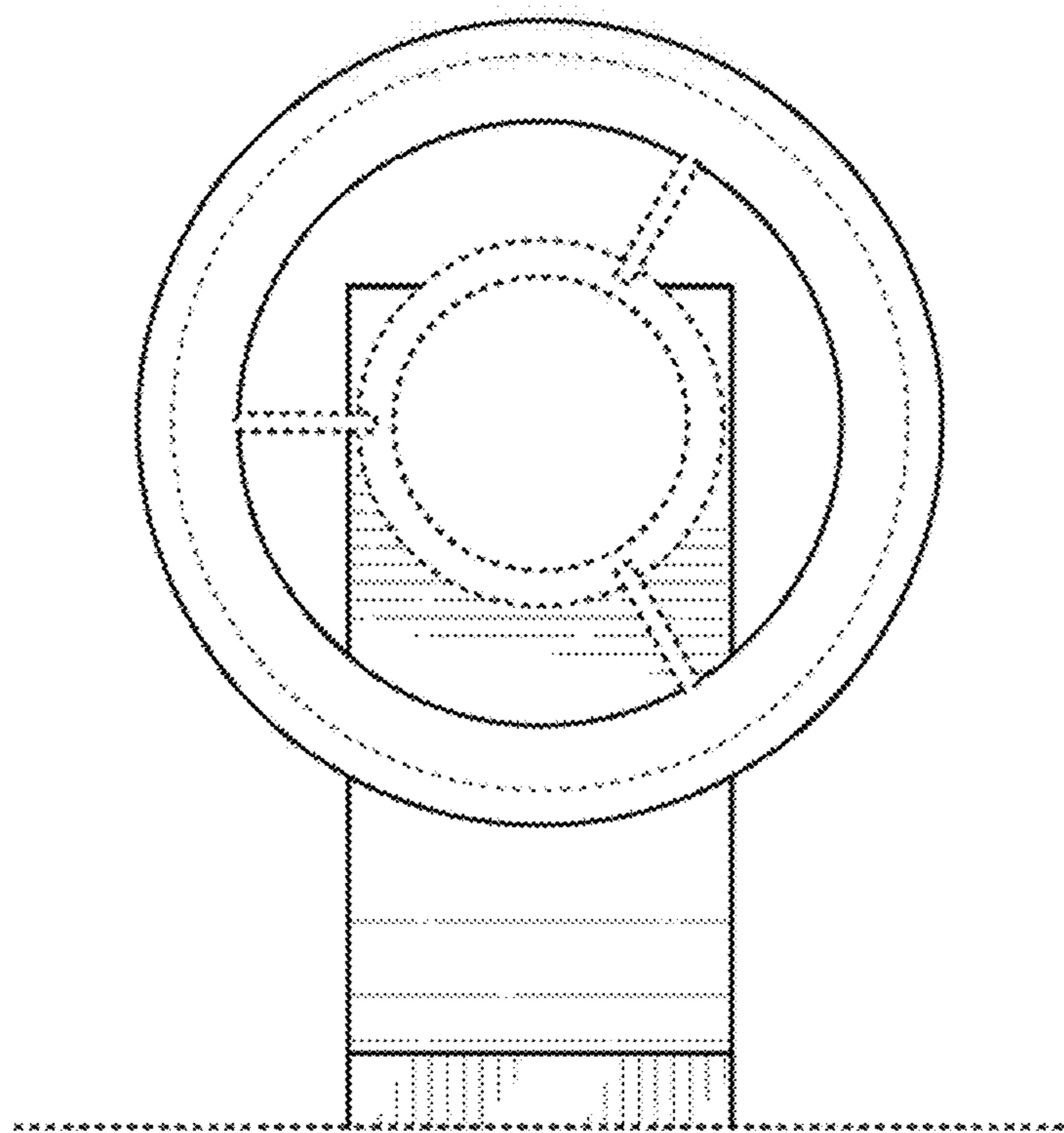


FIG. 8