



US00D984707S

(12) **United States Design Patent**
Wu

(10) **Patent No.:** **US D984,707 S**

(45) **Date of Patent:** **** Apr. 25, 2023**

(54) **SOLAR LAMP**

(71) Applicant: **Qiwen Wu**, Zhongshan (CN)

(72) Inventor: **Qiwen Wu**, Zhongshan (CN)

(**) Term: **15 Years**

(21) Appl. No.: **29/791,487**

(22) Filed: **Jan. 12, 2022**

(51) **LOC (14) Cl.** **26-05**

(52) **U.S. Cl.**
USPC **D26/67**

(58) **Field of Classification Search**
USPC D26/67-70, 85
CPC F21S 8/03; F21S 8/033; F21S 8/036; F21S
8/081; F21S 9/037; F21V 21/0824; F21W
2111/02; F21W 2111/023; F21W
2131/109

See application file for complete search history.

(56) **References Cited**

U.S. PATENT DOCUMENTS

D231,253 S	*	4/1974	Klassen	D26/26
D381,444 S	*	7/1997	Yuen	D26/127
D864,452 S	*	10/2019	Wei	D26/67
D866,839 S	*	11/2019	Yan	D26/67
D892,381 S		8/2020	Lin		
D898,972 S		10/2020	Pei		
D911,574 S		2/2021	Hui et al.		
D923,230 S	*	6/2021	Liu	D26/67
D930,216 S	*	9/2021	He	D26/67
D938,084 S	*	12/2021	Hollinger	D26/73
D952,225 S	*	5/2022	Liao	D26/67
D962,517 S	*	8/2022	Hu	D26/67
D972,762 S	*	12/2022	Qiu	D26/67

2017/0159927	A1*	6/2017	Hui	F21V 31/00
2022/0018506	A1*	1/2022	Xiong	G02B 6/0001
2022/0146075	A1*	5/2022	Lu	F21V 5/046

OTHER PUBLICATIONS

Roshwey Solar Ground Lights, ASIN: BOB5STN8YR. Available from amazon.com Jul. 5, 2022. (Year: 2022).*
Dikesitu Solar Ground Lights, ASIN: B095W4DDWZ. Available from amazon.com May 26, 2021. (Year: 2021).*
Nfesolar Solar Ground Lights, ASIN: B09B28DTJB. Available from amazon.com Jul. 22, 2021. (Year: 2021).*
Hztyier Outdoor Solar Buddha Music Player, ASIN: B07ZDC1D68. Available from amazon.com Oct. 21, 2019. (Year: 2019).*

* cited by examiner

Primary Examiner — Clare E Heflin

(74) *Attorney, Agent, or Firm* — Rumit Ranjit Kanakia

(57) **CLAIM**

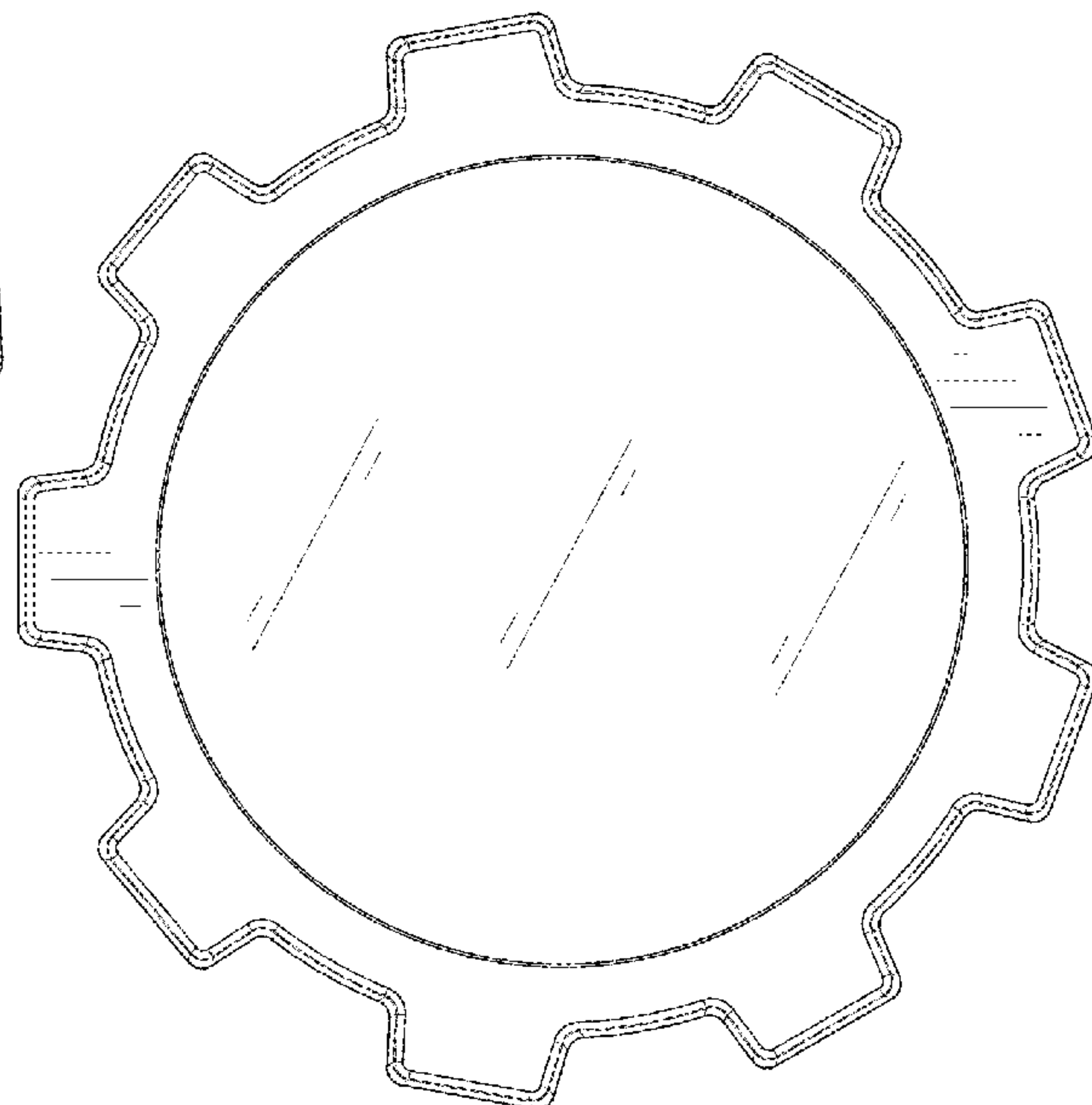
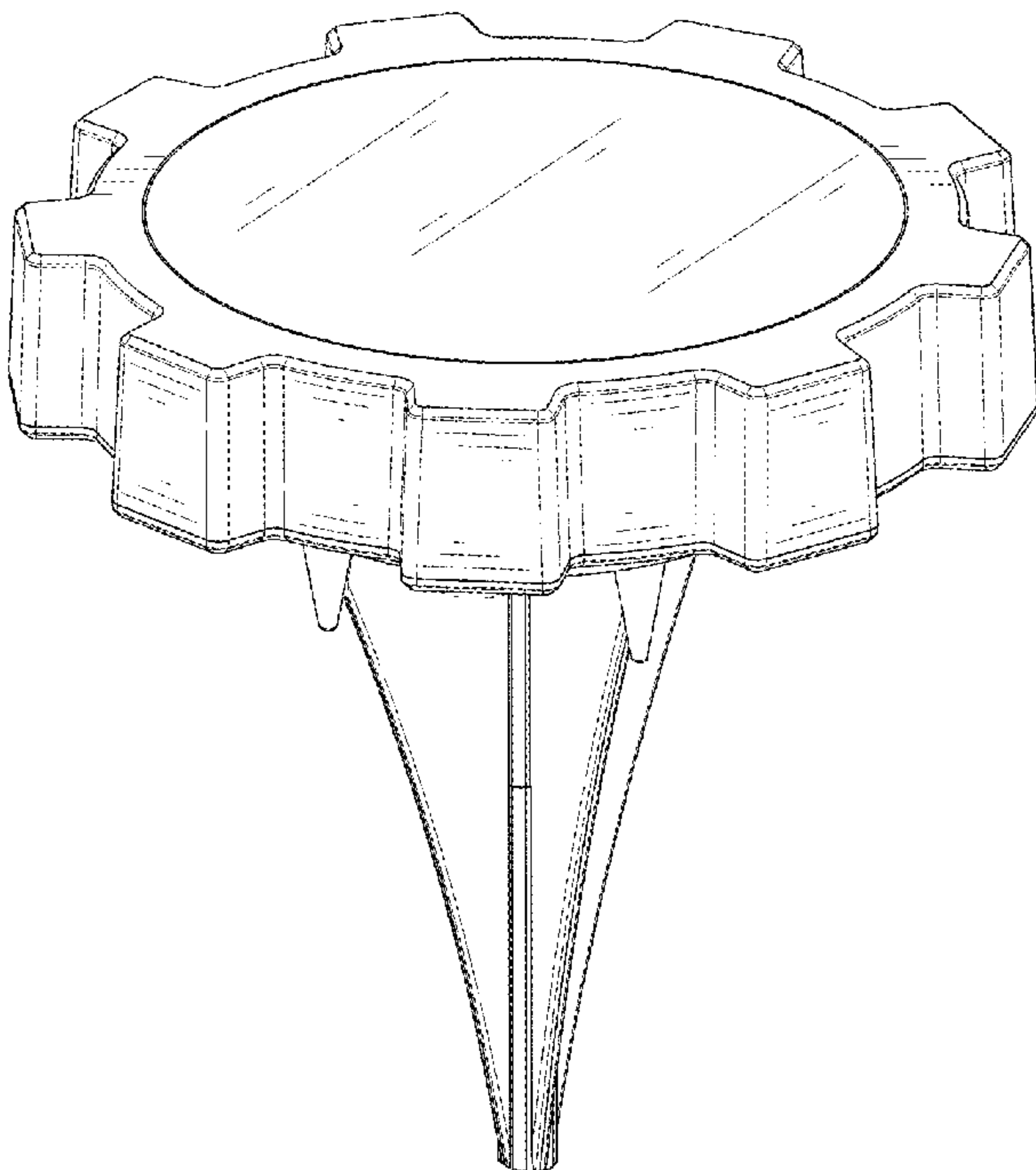
The ornamental design for a solar lamp, as shown and described.

DESCRIPTION

FIG. 1 is a first perspective view of a solar lamp showing my new design;
FIG. 2 is a second perspective view thereof;
FIG. 3 is a front view thereof;
FIG. 4 is a back view thereof;
FIG. 5 is a left side view thereof;
FIG. 6 is a right side view thereof;
FIG. 7 is a top view thereof; and,
FIG. 8 is a bottom view thereof.

The broken lines shown in the drawings depict portions of the solar lamp in which the design is embodied that form no part of the claimed design.

1 Claim, 8 Drawing Sheets



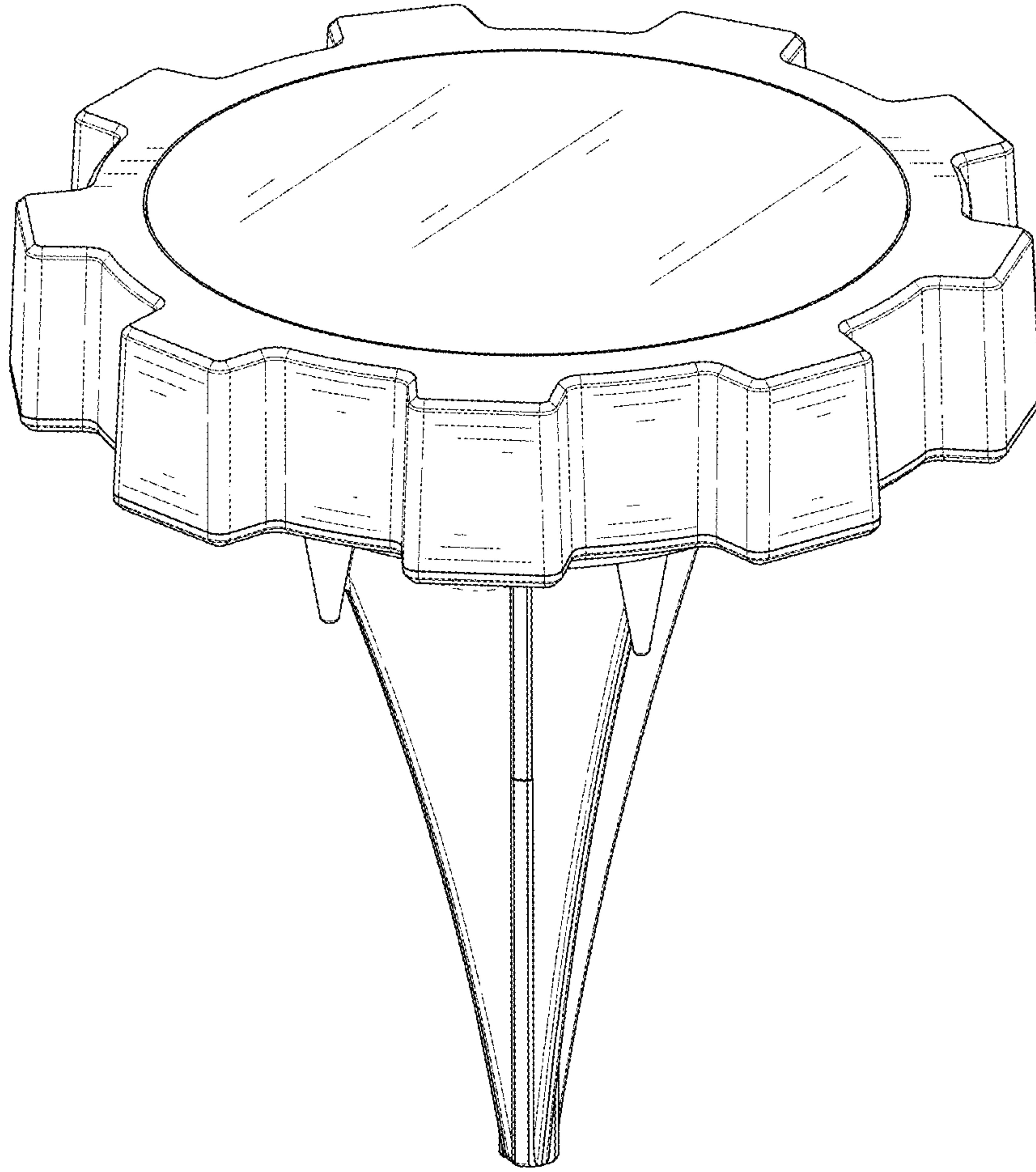


FIG. 1

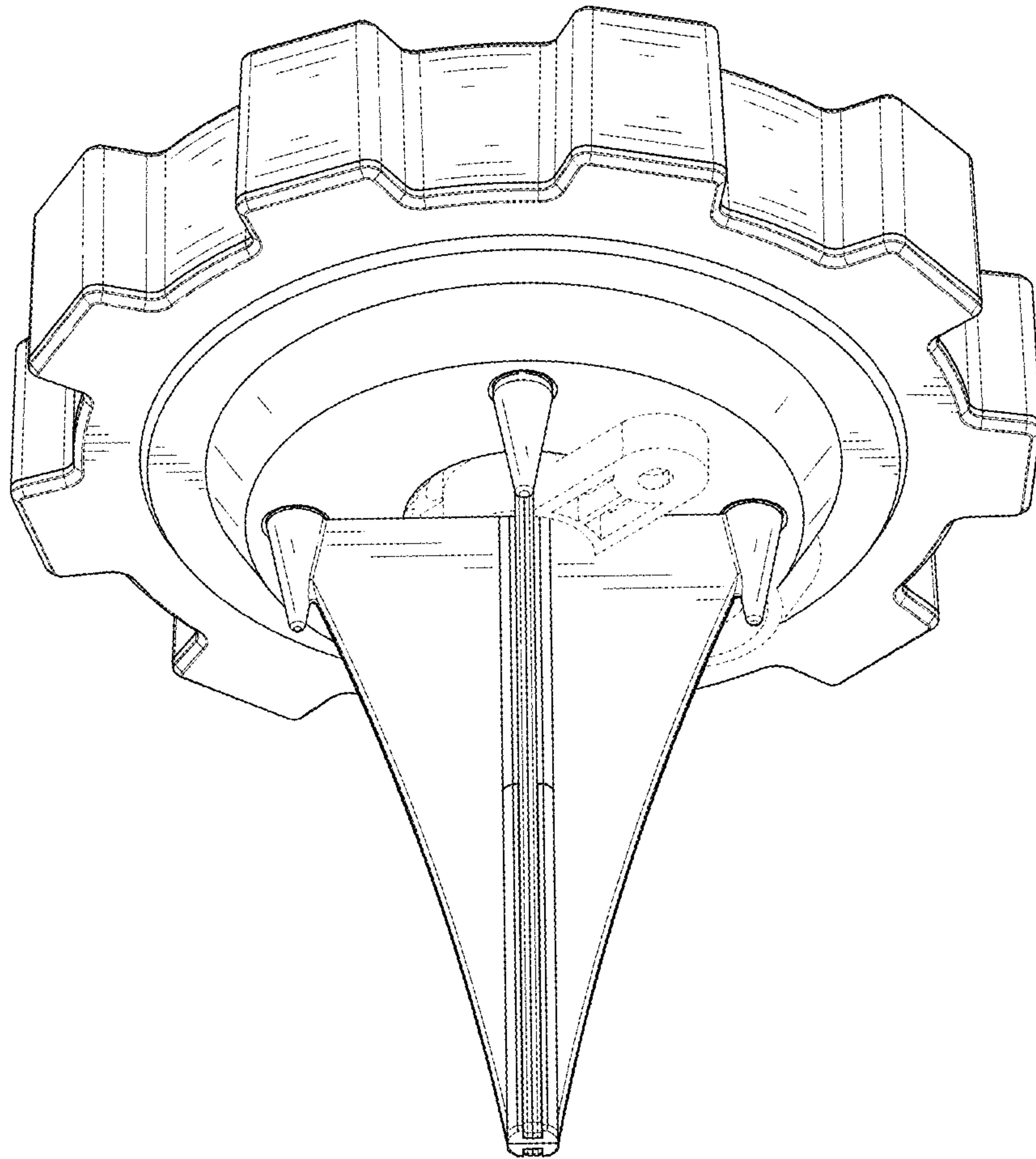


FIG. 2

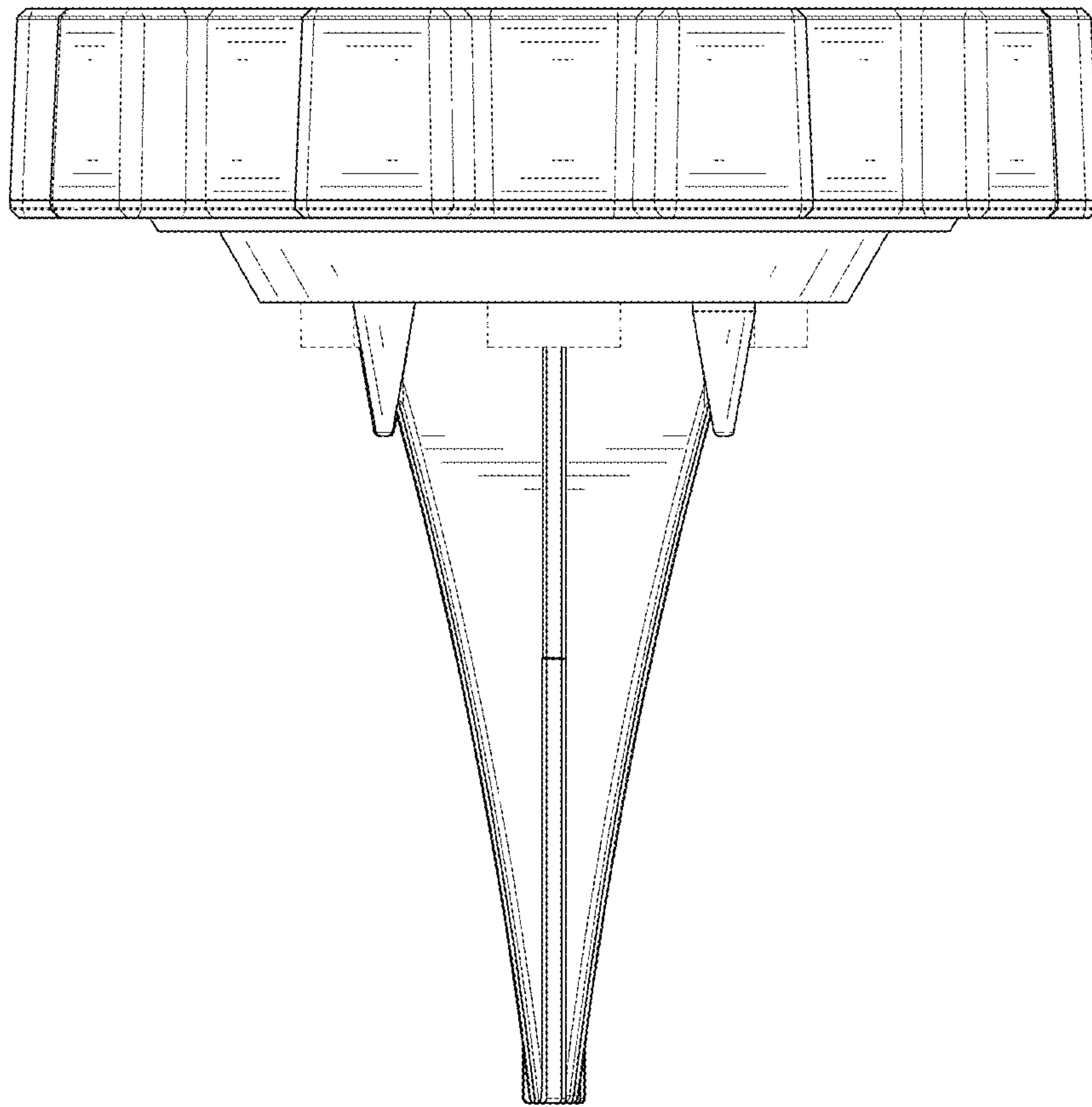


FIG. 3

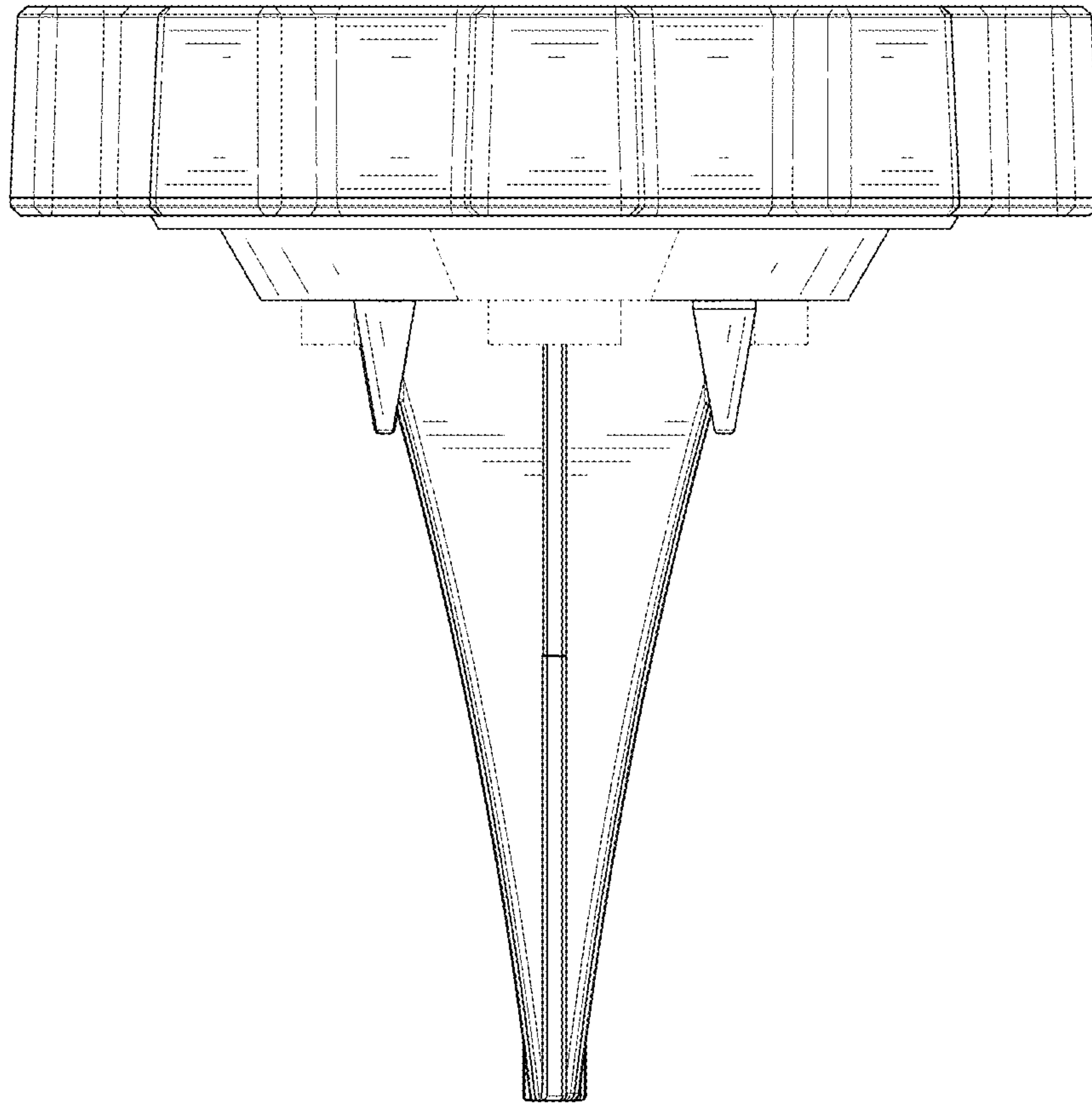


FIG. 4

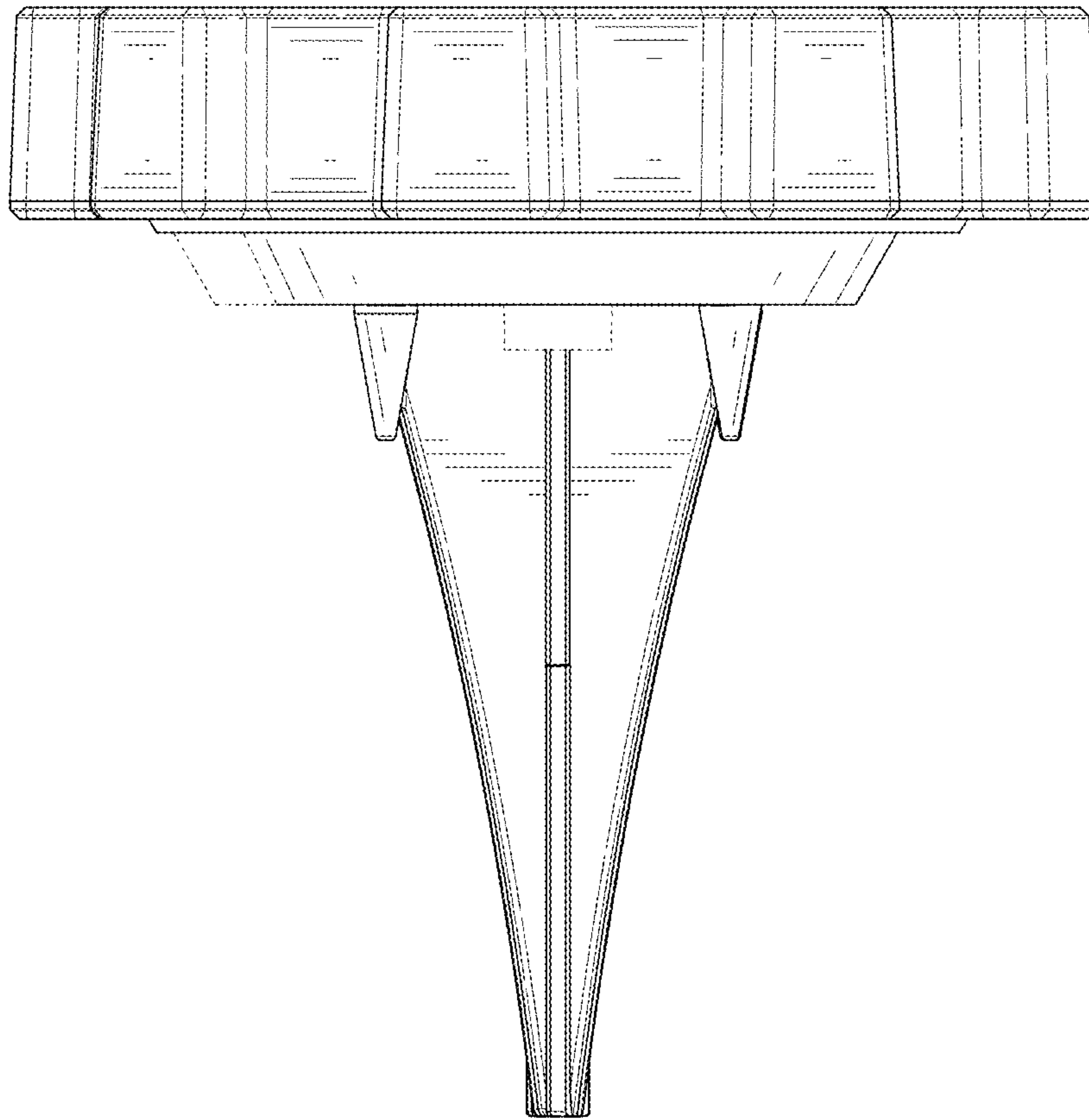


FIG. 5

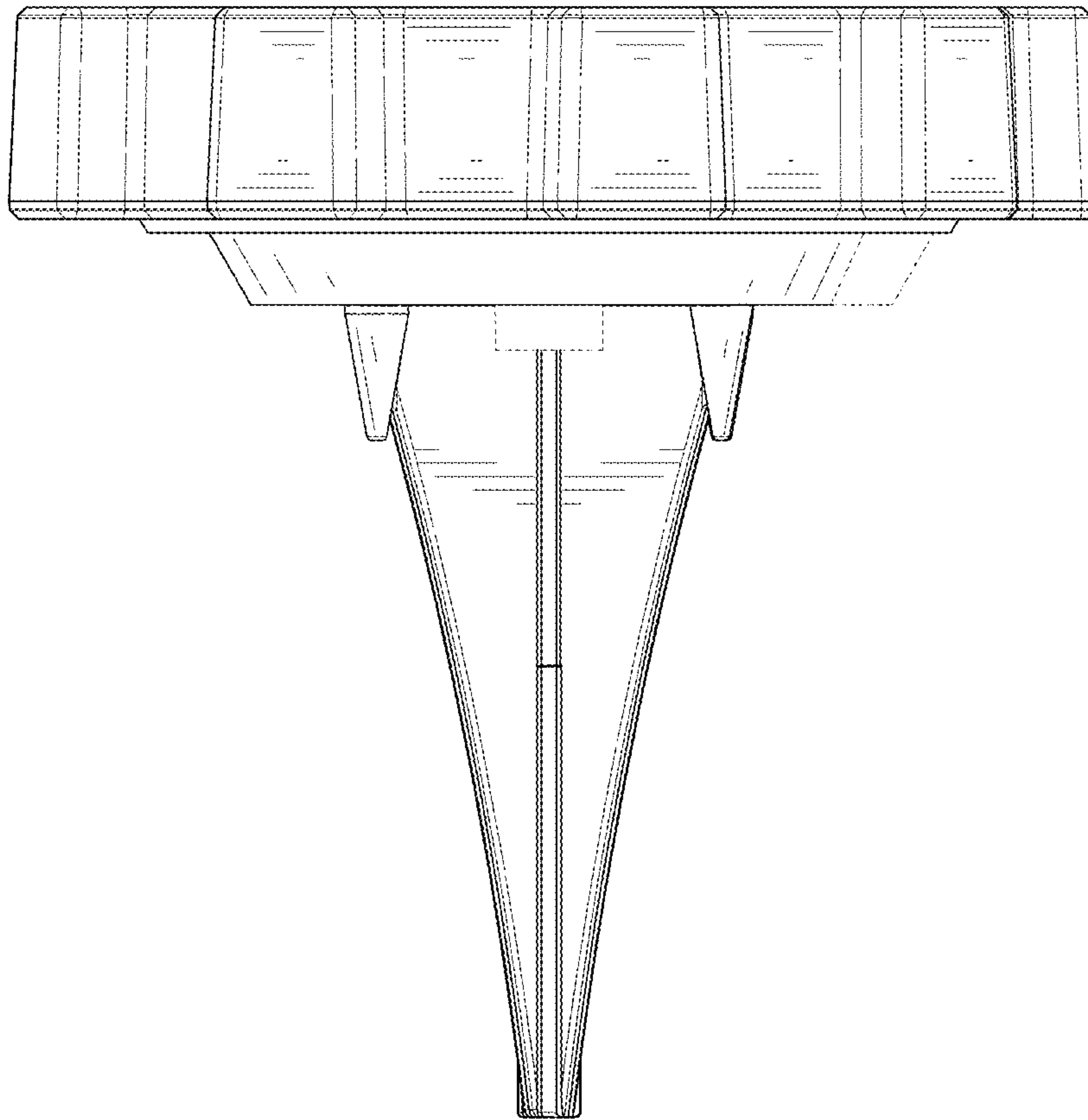


FIG. 6

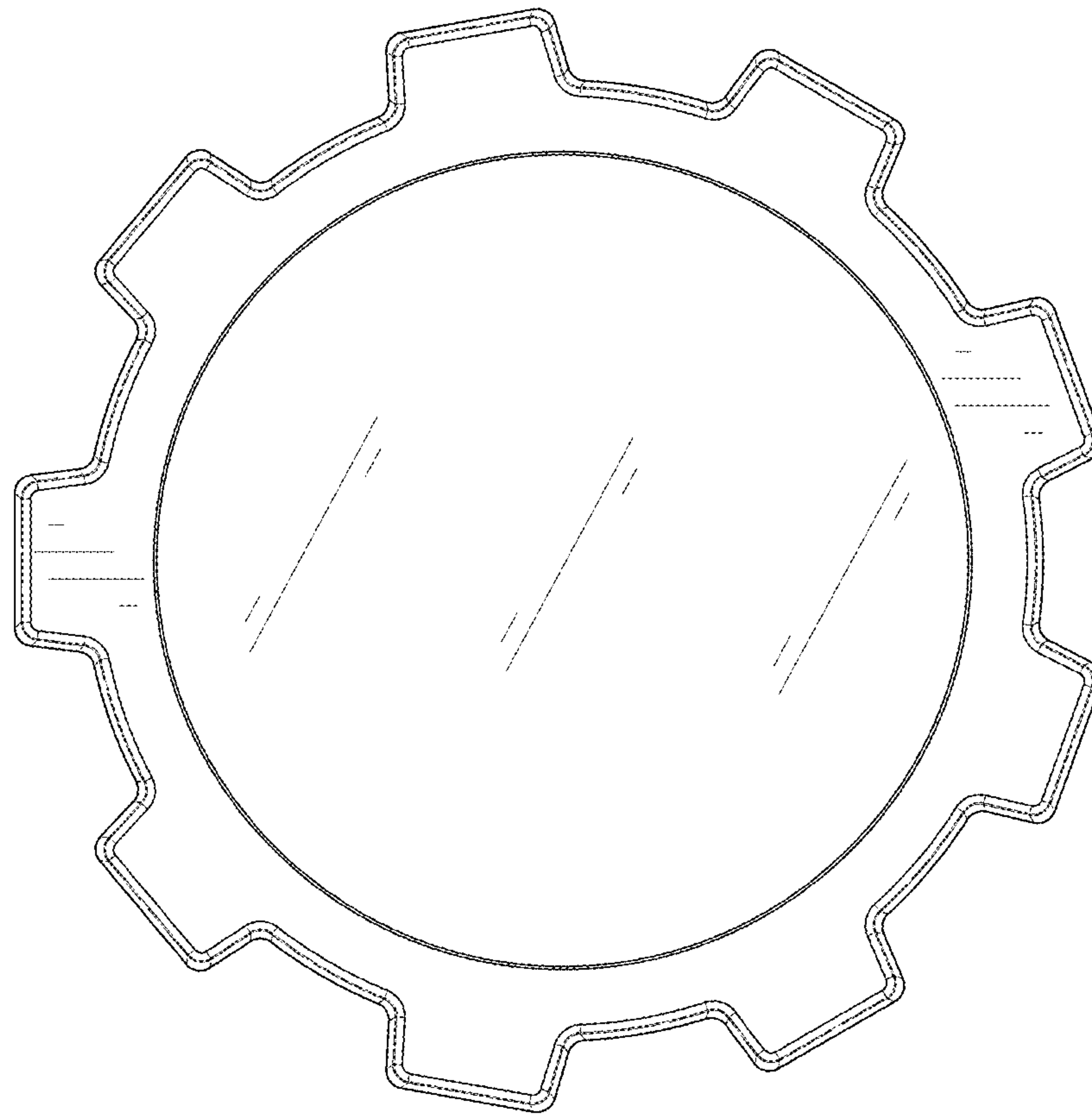


FIG. 7

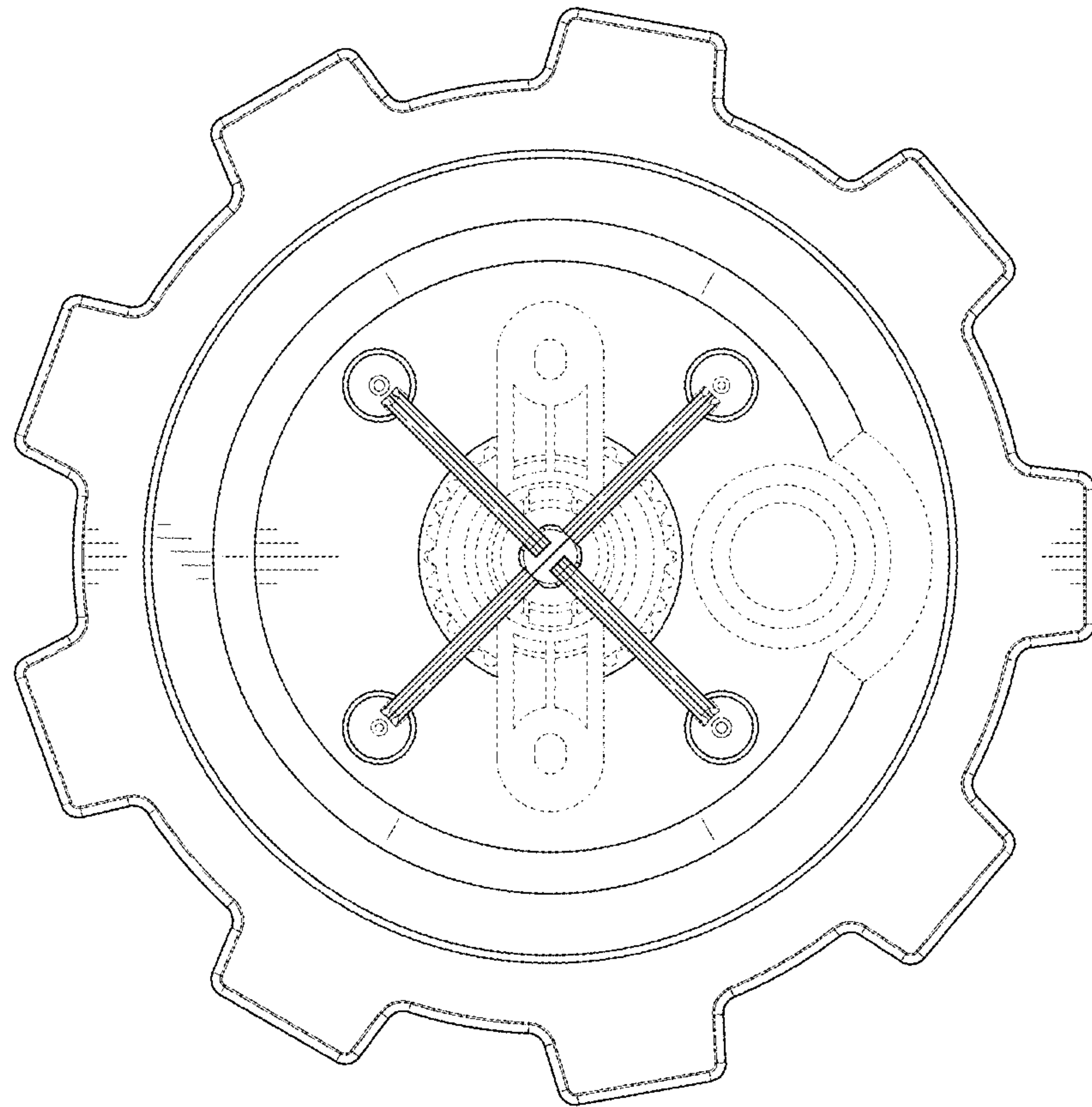


FIG. 8