



US00D984706S

(12) **United States Design Patent** (10) **Patent No.:** **US D984,706 S**  
**Lin** (45) **Date of Patent:** **\*\* Apr. 25, 2023**

(54) **SOLAR LIGHT**  
(71) Applicant: **ZHONGSHAN TENGLANG TECHNOLOGY CO., LTD.**, Zhongshan (CN)  
(72) Inventor: **Peng Lin**, Shantou (CN)  
(73) Assignee: **ZHONGSHAN TENGLANG TECHNOLOGY CO., LTD.**, Zhongshan (CN)  
(\*\*) Term: **15 Years**  
(21) Appl. No.: **29/814,348**  
(22) Filed: **Nov. 5, 2021**  
(51) **LOC (14) Cl.** ..... **26-05**  
(52) **U.S. Cl.**  
USPC ..... **D26/65; D26/63**  
(58) **Field of Classification Search**  
USPC ... D26/1, 51, 60, 61, 63, 65, 67, 68, 69, 71, D26/72, 85, 87, 92, 93, 113, 118, 80, 86  
CPC ..... F21S 6/00; F21S 8/00; F21S 8/03; F21S 8/033; F21S 8/036; F21S 9/00; F21S 9/03; F21S 9/032; F21V 21/02; F21W 213/10; F21W 213/107  
See application file for complete search history.

(56) **References Cited**  
U.S. PATENT DOCUMENTS  
D670,022 S \* 10/2012 Green ..... D26/128  
9,874,326 B1 \* 1/2018 Dai ..... F21V 7/04  
D866,849 S \* 11/2019 Lafleur ..... F21S 8/04  
D26/120  
D892,380 S \* 8/2020 Yan ..... D26/65  
D914,261 S \* 3/2021 Ouyang ..... D26/65  
D918,453 S \* 5/2021 Rang ..... D26/63  
D922,645 S \* 6/2021 Gowing ..... D26/63  
D934,479 S \* 10/2021 Liu ..... D26/63

D954,324 S \* 6/2022 Rajasekaran ..... F21S 8/04  
D26/65  
D956,304 S \* 6/2022 Liu ..... D26/65  
D970,769 S \* 11/2022 Wu ..... F21V 7/04  
D26/63  
D975,330 S \* 1/2023 Kong ..... D26/65  
2018/0156427 A1 \* 6/2018 Bailey ..... F21V 23/001

**OTHER PUBLICATIONS**

Fousômo Solar Lights Outdoor Wall Lights, Jul. 6, 2021, Amazon.co.uk, site visited Feb. 16, 2023, url: (Year: 2021).\*  
Fousômo Solar Lights Outdoor Wall Lights, Sep. 8, 2021, Amazon.co.uk, site visited Feb. 16, 2023, url: (Year: 2021).\*  
Tendovo Solar LED Motion Sensor Security Light, Dec. 31, 2021, Amazon.co.uk, site visited Feb. 16, 2023, url: (Year: 2021).\*

\* cited by examiner

*Primary Examiner* — T Chase Nelson  
*Assistant Examiner* — Rachel Wolfe

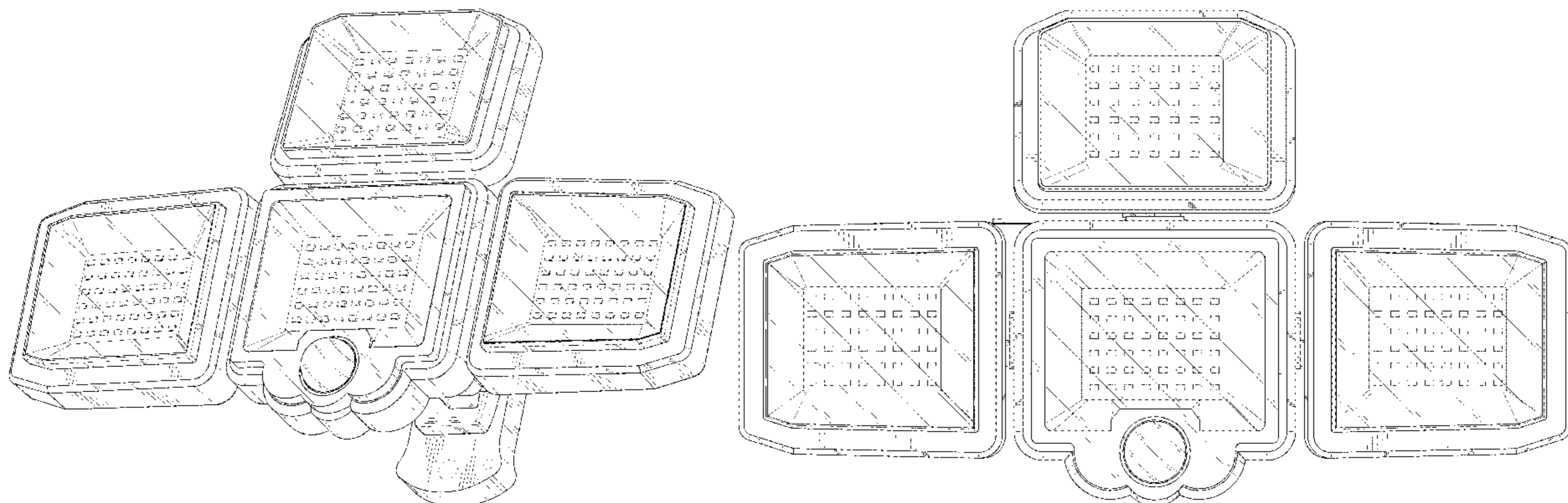
(57) **CLAIM**

The ornamental design for a solar light, as shown and described.

**DESCRIPTION**

FIG. 1 is a perspective view of a solar light showing my new design;  
FIG. 2 is another perspective view thereof;  
FIG. 3 is a front elevational view thereof;  
FIG. 4 is a rear elevational view thereof;  
FIG. 5 is a left side elevational view thereof;  
FIG. 6 is a right side elevational view thereof;  
FIG. 7 is a top plan view thereof; and,  
FIG. 8 is a bottom plan view thereof.  
The broken lines in the drawings depict portions of the solar light that form no part of the claimed design.

**1 Claim, 8 Drawing Sheets**



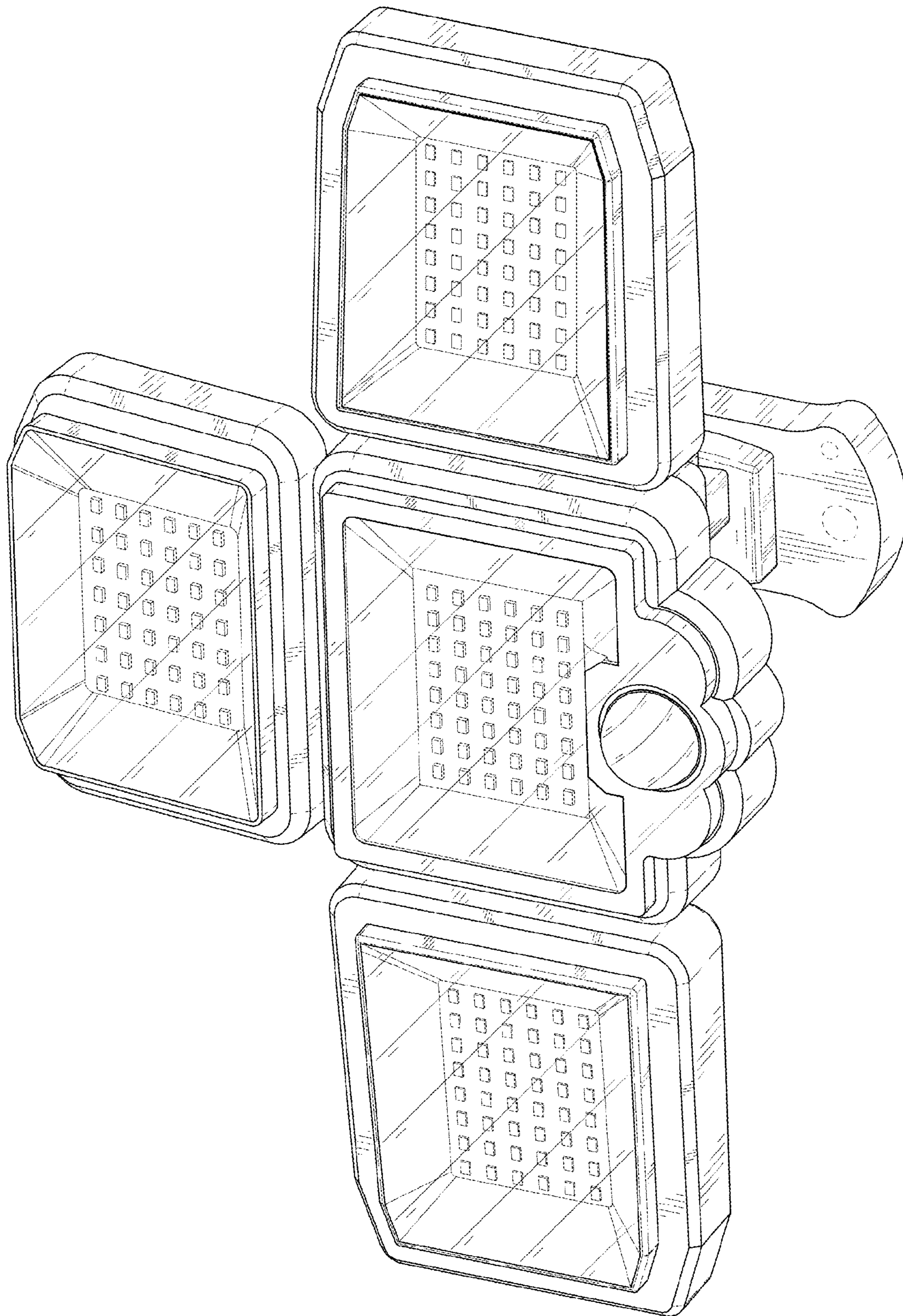


FIG. 1

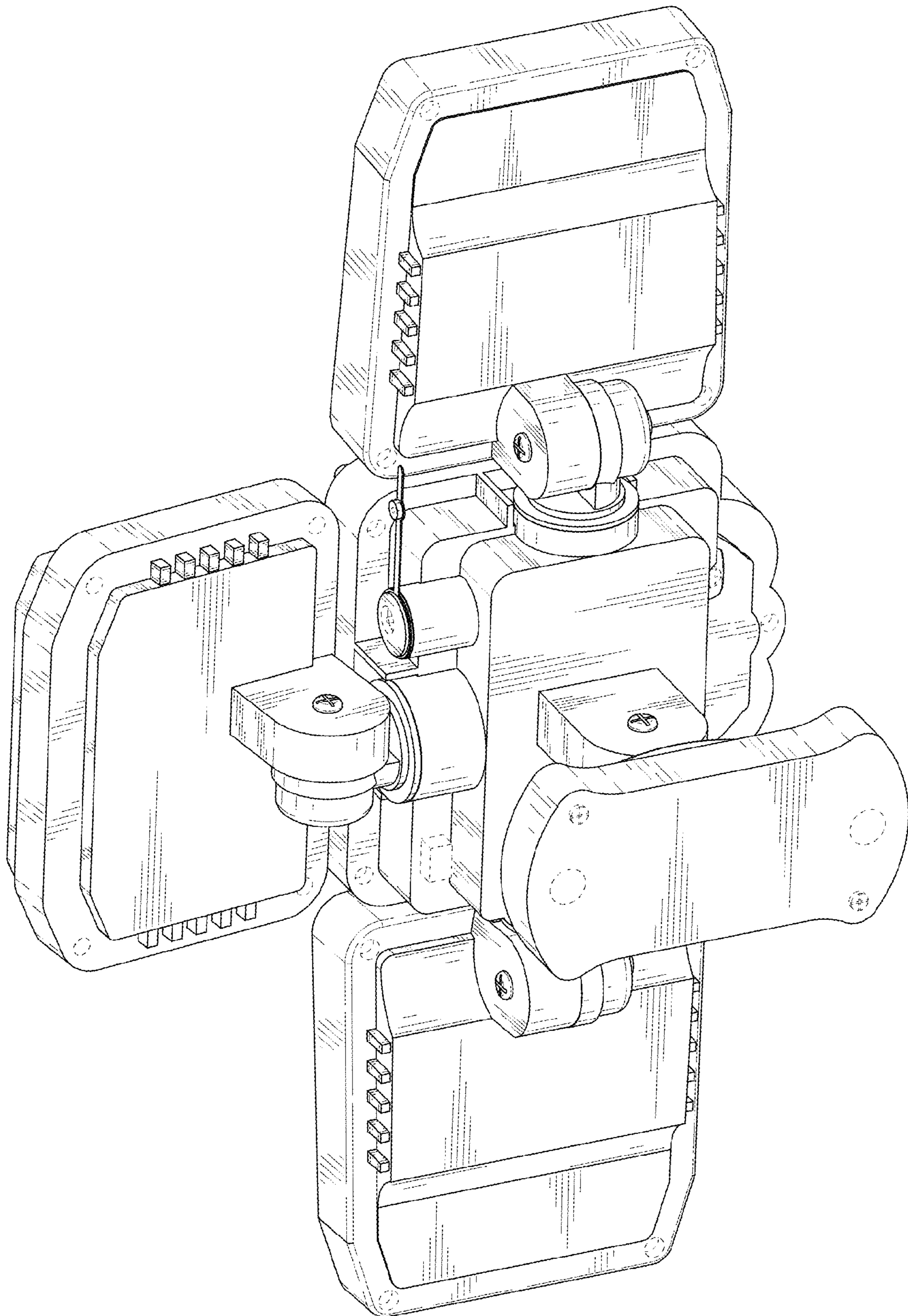


FIG. 2

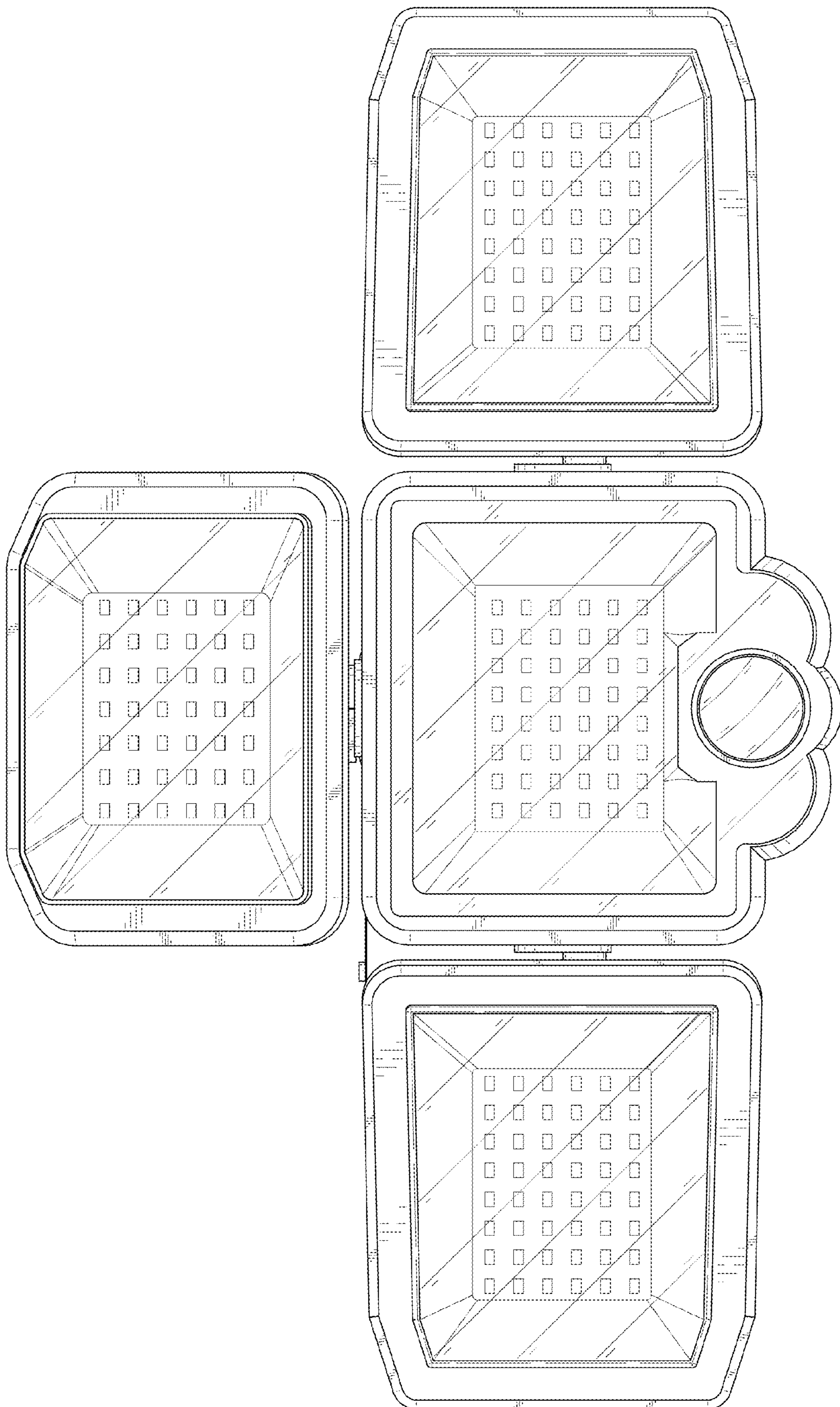


FIG. 3

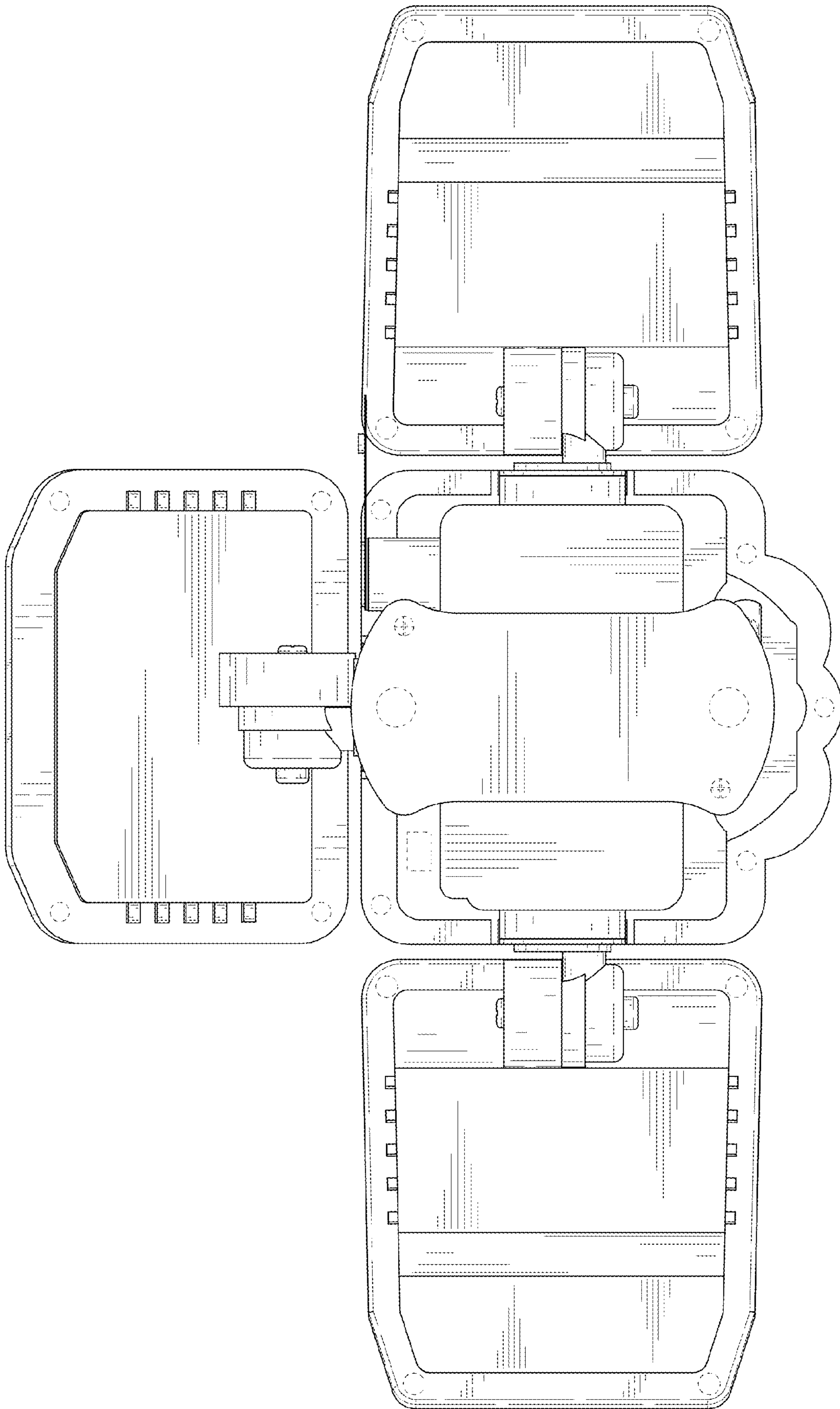


FIG. 4

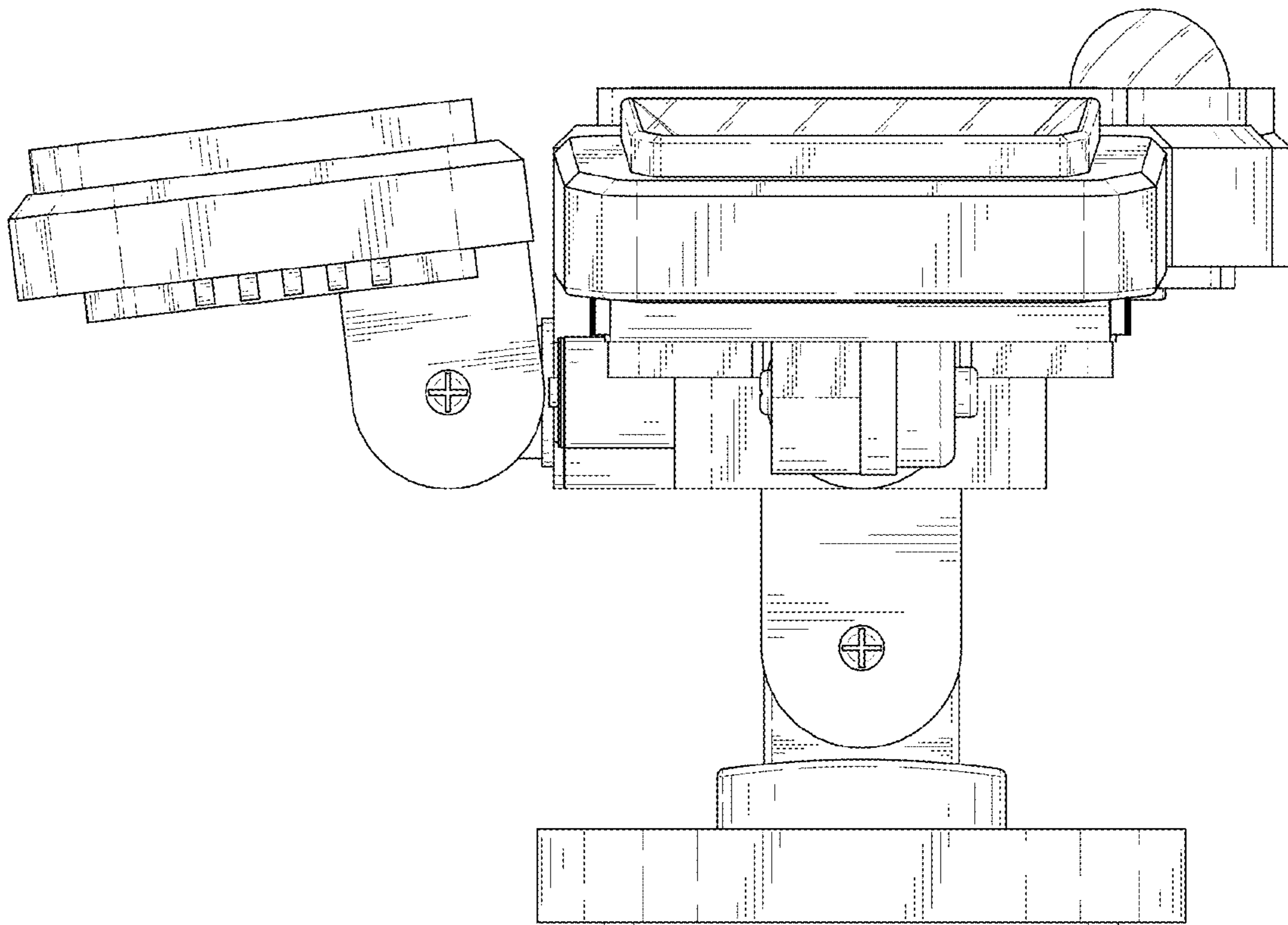


FIG. 5

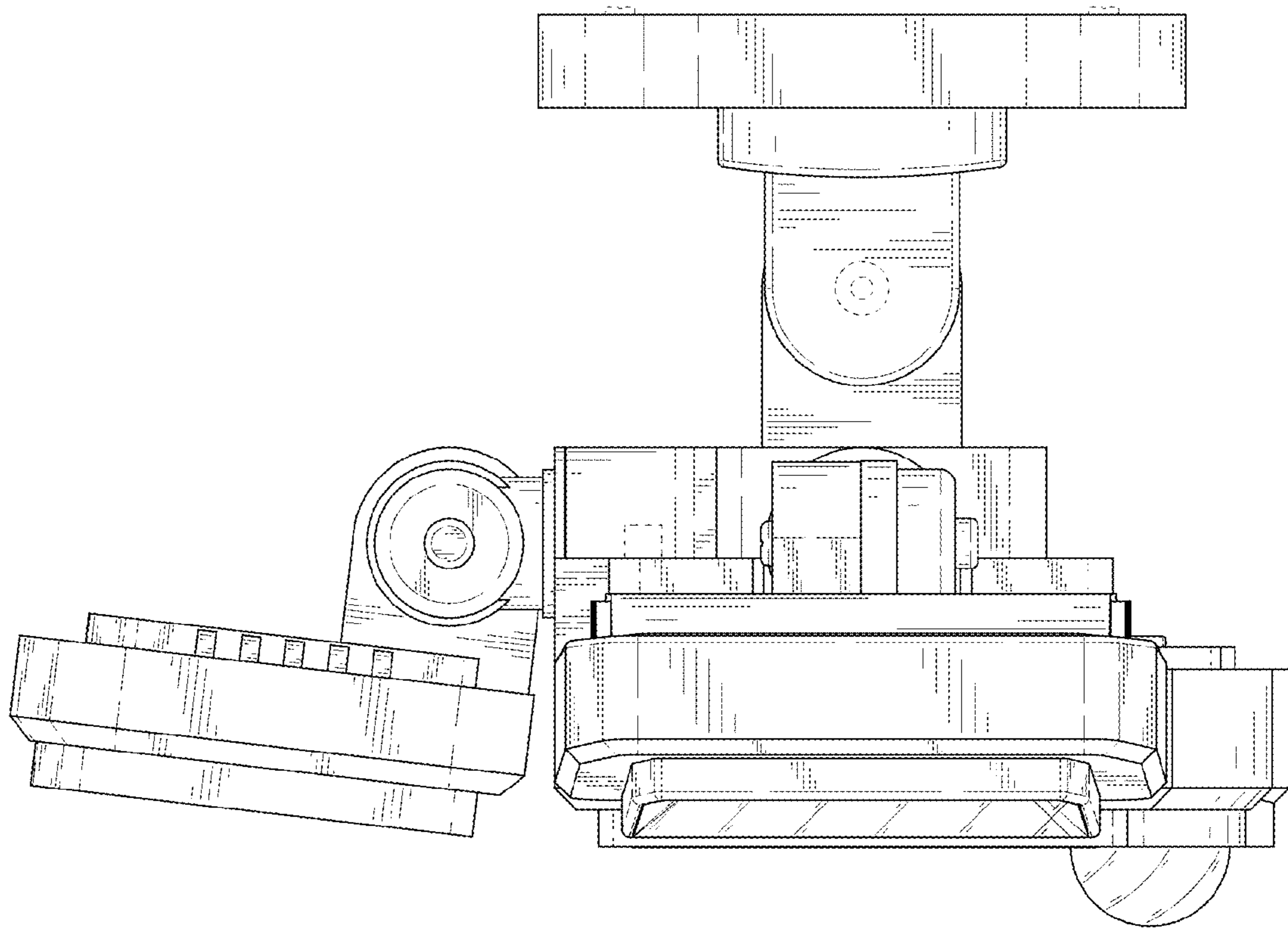


FIG. 6

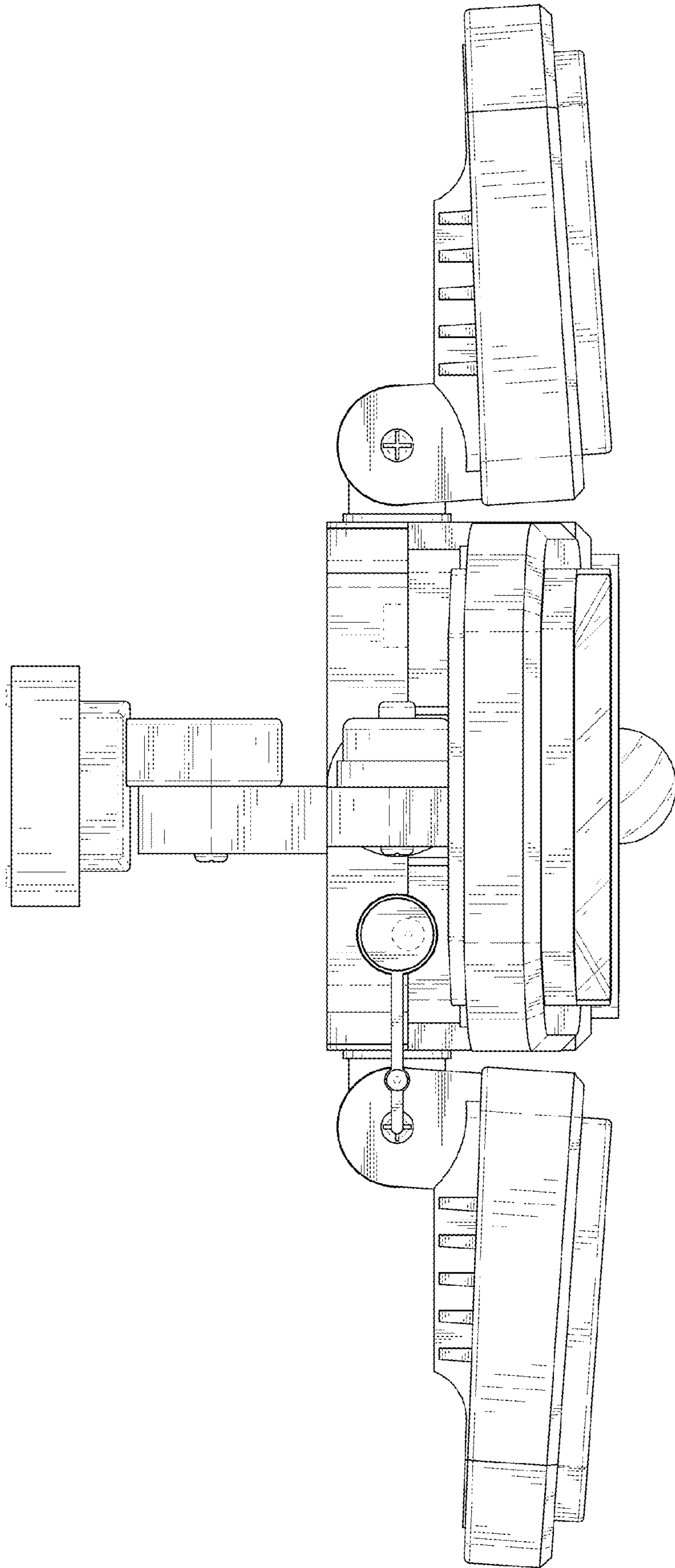


FIG. 7



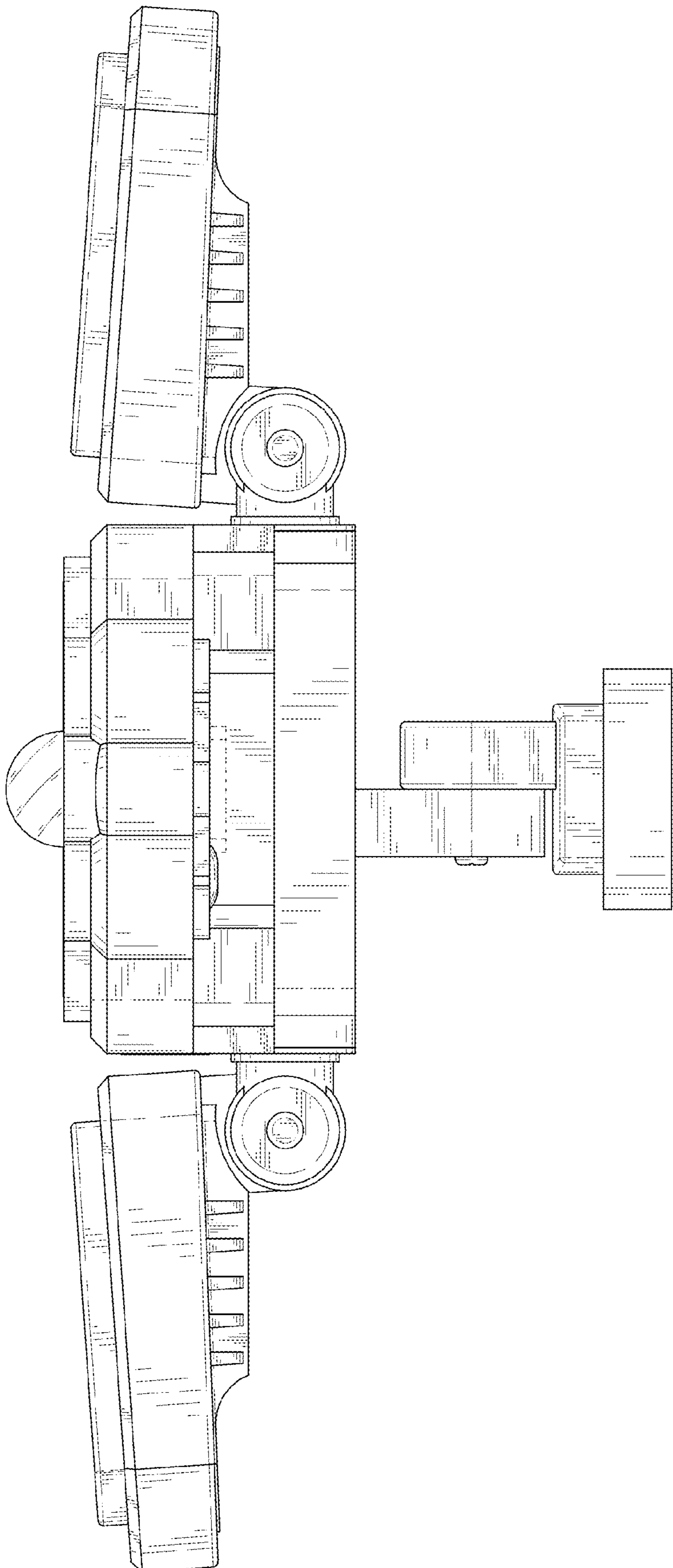


FIG. 8