



US00D984705S

(12) **United States Design Patent**
Wu

(10) **Patent No.:** **US D984,705 S**
(45) **Date of Patent:** **** Apr. 25, 2023**

(54) **SOLAR LIGHT**

(71) Applicant: **Xiaoling Wu**, Ninghai (CN)

(72) Inventor: **Xiaoling Wu**, Ninghai (CN)

(**) Term: **15 Years**

(21) Appl. No.: **29/827,530**

(22) Filed: **Feb. 21, 2022**

(51) **LOC (14) Cl.** **26-05**

(52) **U.S. Cl.**
USPC **D26/63**

(58) **Field of Classification Search**
USPC ... D26/24, 61, 63-70, 72, 93, 113, 118, 140
CPC F21S 8/08; F21S 8/081; F21S 9/02; F21S
9/03; F21S 9/035; F21S 9/037; F21W
2131/10; F21W 2131/109

See application file for complete search history.

(56) **References Cited**

U.S. PATENT DOCUMENTS

D308,111 S *	5/1990	Banathy	D26/68
5,065,291 A *	11/1991	Frost	F21S 8/081 362/183
D756,015 S	5/2016	Sooferian		
D821,626 S *	6/2018	Hou	D26/69
D848,046 S *	5/2019	Zhuo	D26/67
D866,839 S	11/2019	Yan		
D867,644 S *	11/2019	Luo	D26/68
D885,632 S	5/2020	Chen		
D903,176 S *	11/2020	Mai	D26/67
D909,652 S *	2/2021	Wu	D26/63
D914,942 S *	3/2021	Li	D26/63
D922,646 S *	6/2021	Huang	D26/63
D923,225 S *	6/2021	Hu	D26/63
D923,226 S *	6/2021	Hu	D26/63
D923,845 S *	6/2021	Kong	D26/63
D925,084 S *	7/2021	Chen	D26/63

D925,100 S *	7/2021	Hui	D26/68
D944,434 S *	2/2022	Li	D26/63
D954,324 S *	6/2022	Rajasekaran	F21S 8/04 D26/65

OTHER PUBLICATIONS

Motion Solar Lights, posted at Amazon, date first available, Nov. 3, 2021. Site visited Oct. 19, 2022. Available from internet, URL: <https://www.amazon.com/Security-Floodlights-Landscape-Spotlights-EMANER/dp/B09L42V624?th=1> (Year: 2021).*

(Continued)

Primary Examiner — Samantha Wood

Assistant Examiner — Vanessa Martinez

(74) *Attorney, Agent, or Firm* — Rumit Ranjit Kanakia

(57) **CLAIM**

The ornamental design for a solar light, as shown and described.

DESCRIPTION

FIG. 1 is a first perspective view of a solar light showing my new design;

FIG. 2 is a second perspective view thereof;

FIG. 3 is a front view thereof;

FIG. 4 is a back view thereof;

FIG. 5 is a left side view thereof;

FIG. 6 is a right side view thereof;

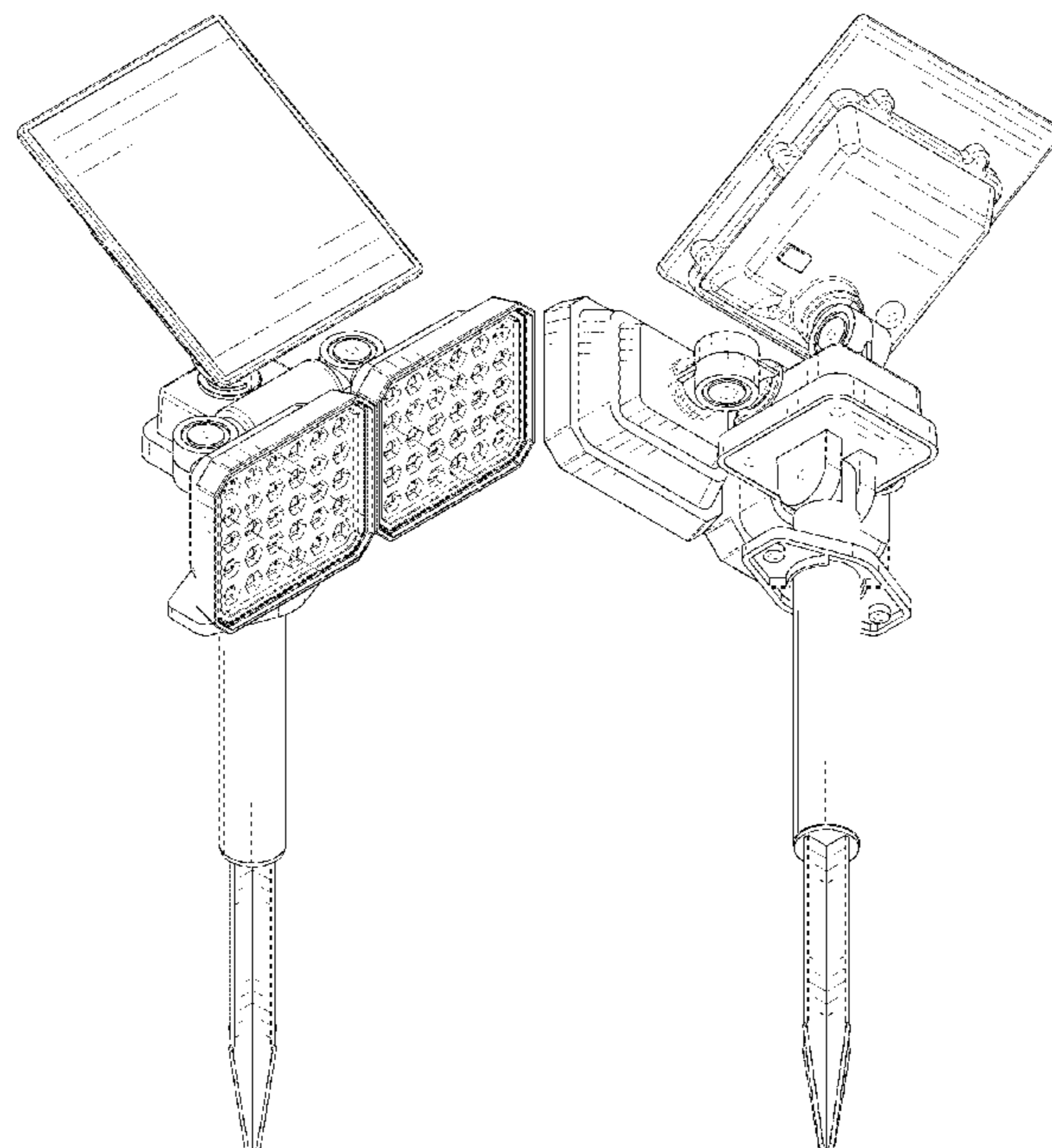
FIG. 7 is a top view thereof;

FIG. 8 is a bottom view thereof; and,

FIG. 9 is an enlarged view of the selected portion 9 in FIG. 3.

The evenly-spaced broken lines shown in the drawings depict portions of the solar light that form no part of the claimed design; the unevenly-spaced broken lines in FIGS. 3 and 9 delineate areas of the figures shown enlarged and form no part of the claimed design.

1 Claim, 9 Drawing Sheets



(56)

References Cited

OTHER PUBLICATIONS

Solar Motion Sensor Floodlight, posted at Amazon,, date first available, Aug. 26, 2020. Site visited Oct. 19, 2022. Available from internet, URL: https://www.amazon.com/Security-Wireless-Landscape-Waterproof-Egreat/dp/B07XJM9JRD/ref=psdc_495224_t3_B08MZPW3M2 (Year: 2020).*

2 Pack Solar Lights, posted at Ebay. Site visited Feb. 3, 2023. Available from internet, URL: <https://www.ebay.com/itm/155347268628?hash=item242b6b3414:g:MRwAAOSwKStjucTQ> (Year: 2023).*

* cited by examiner

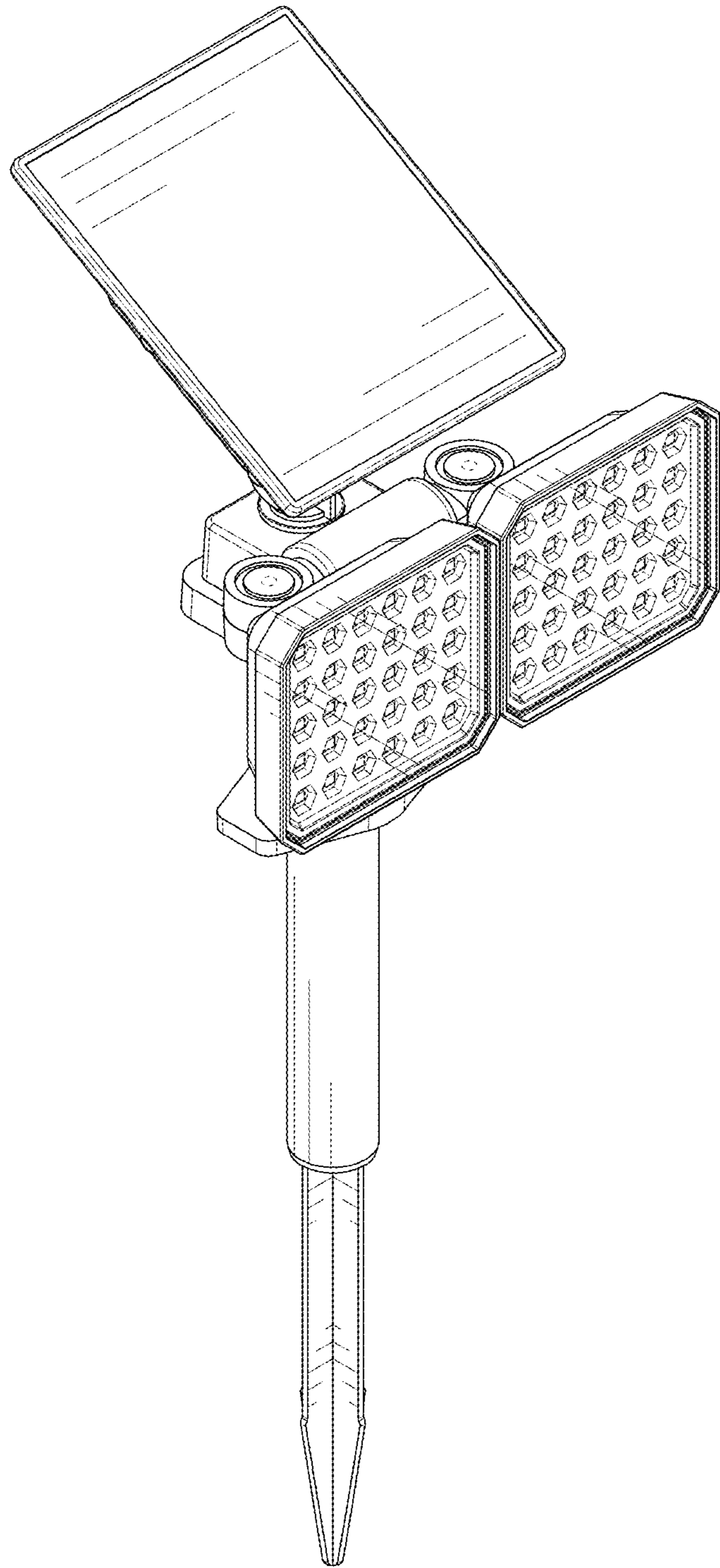


FIG. 1

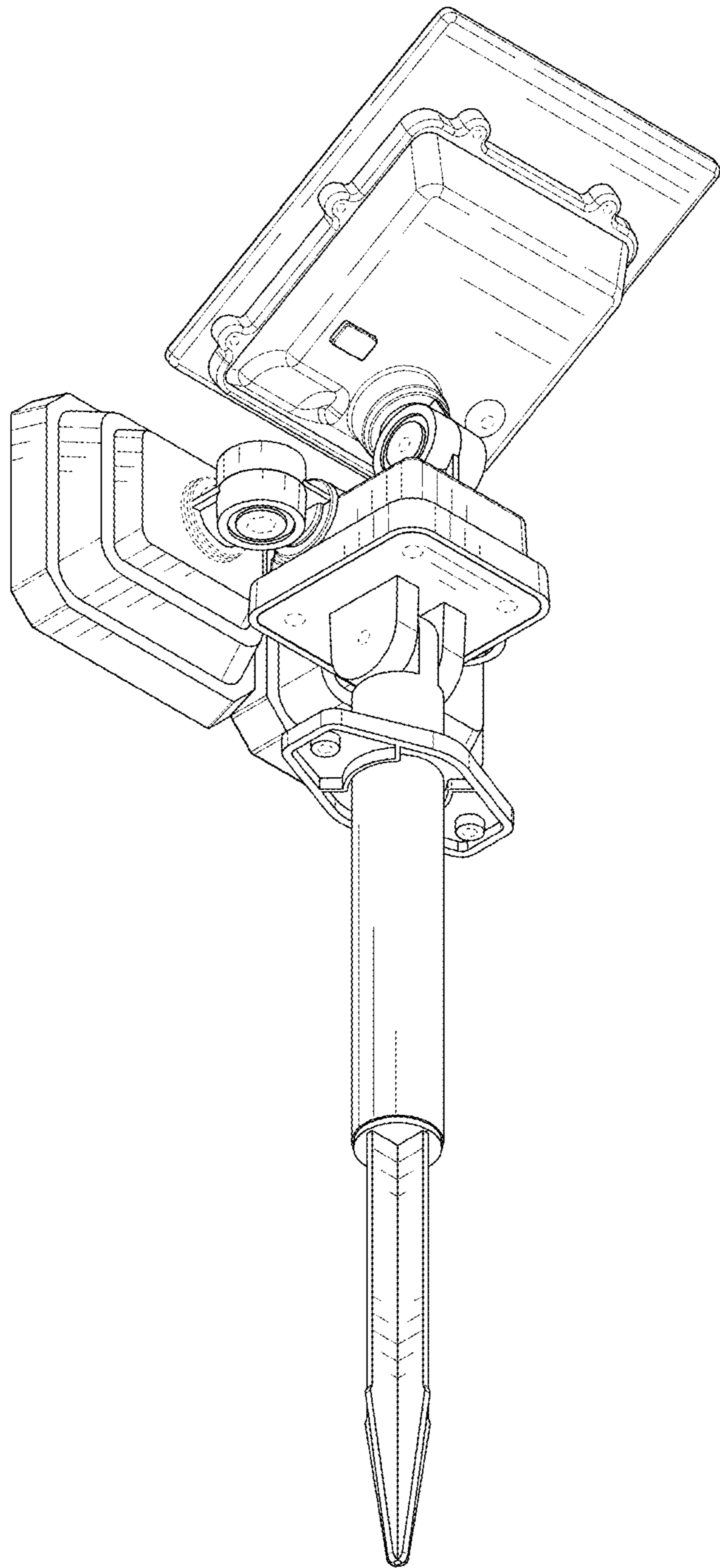


FIG. 2

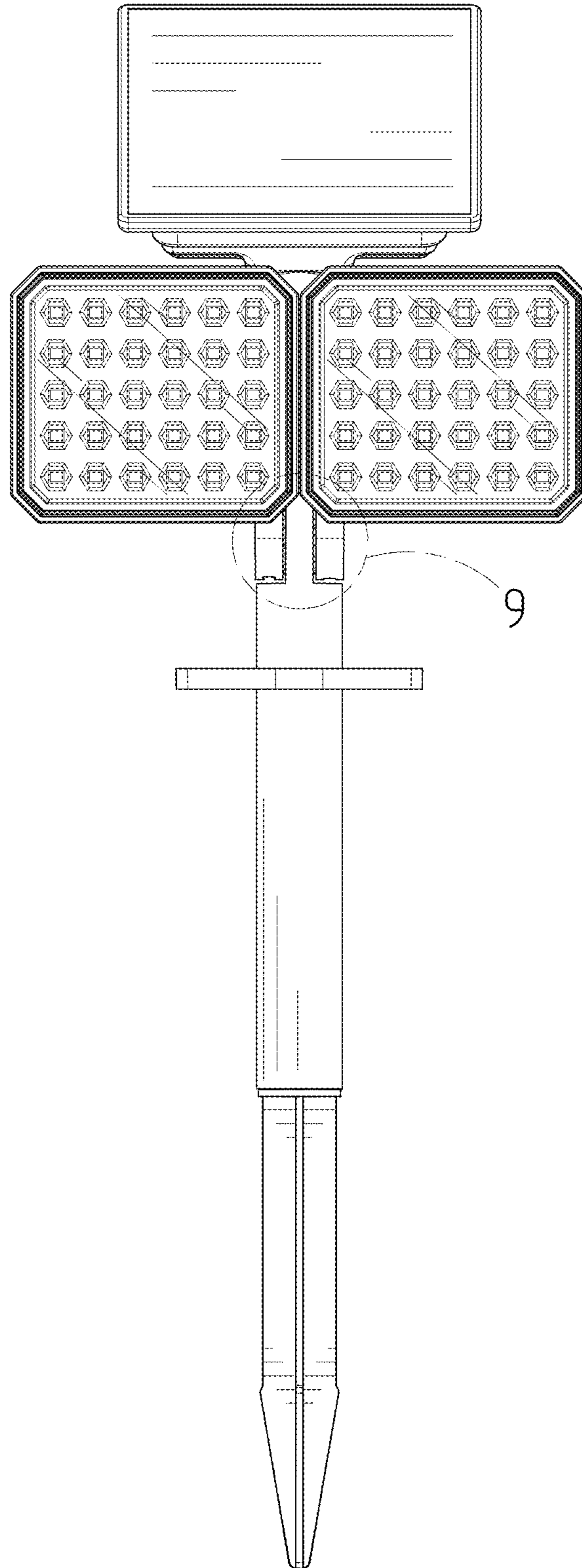


FIG. 3

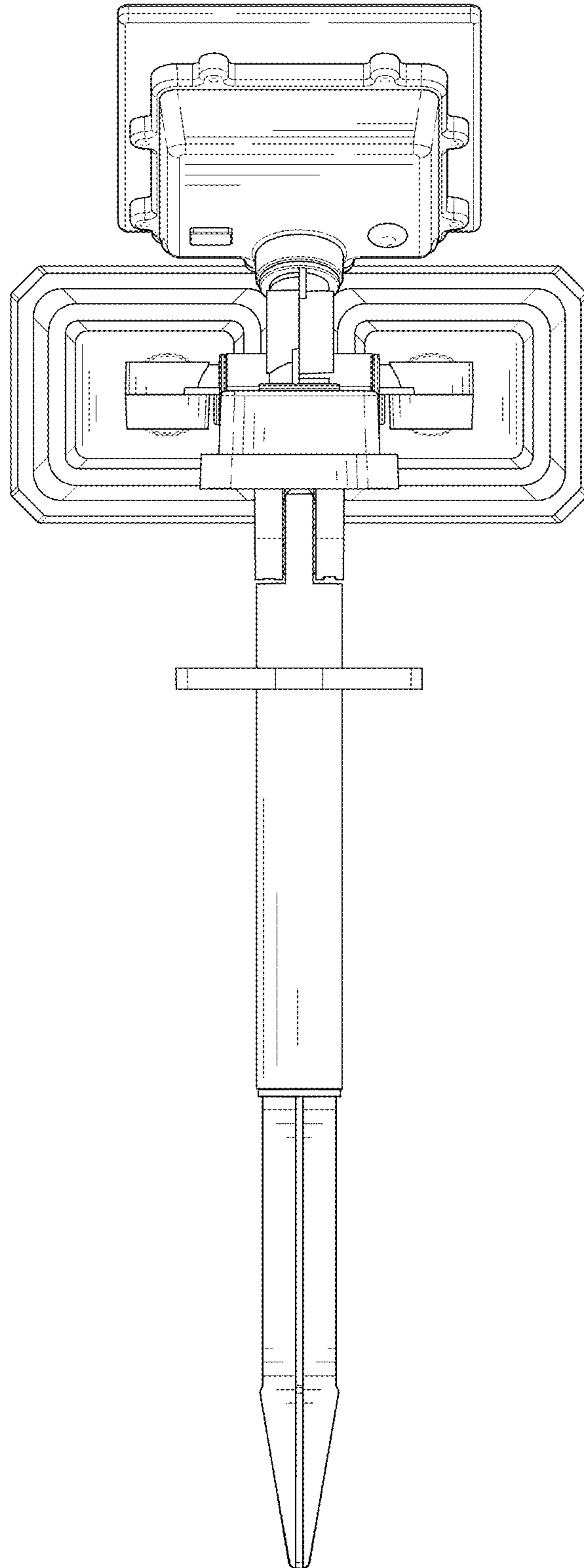


FIG. 4

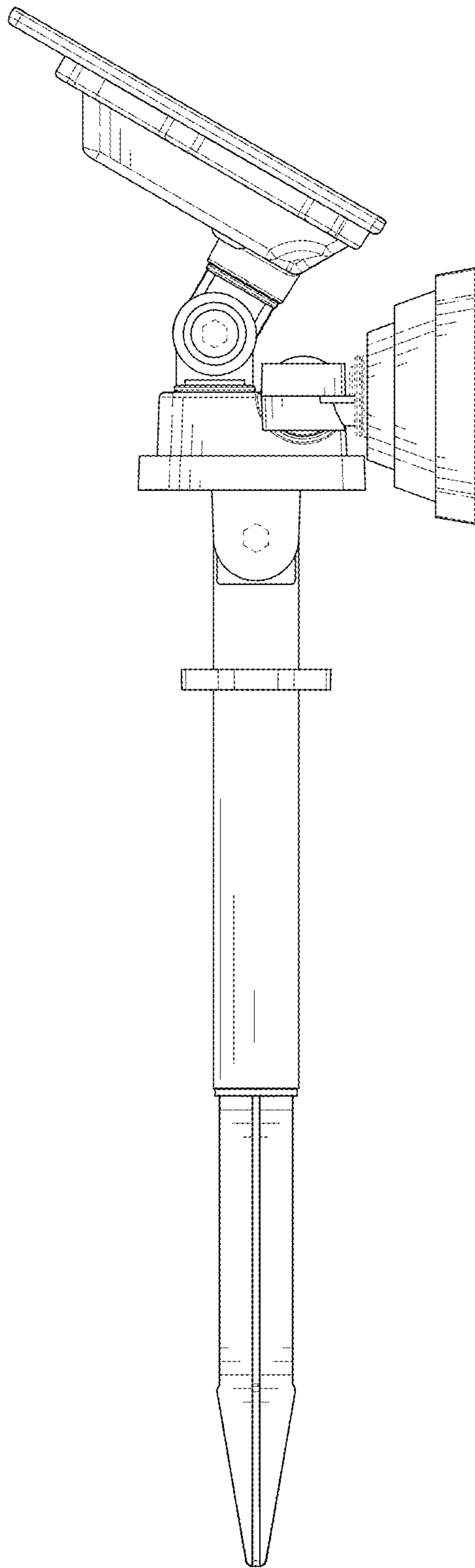


FIG. 5

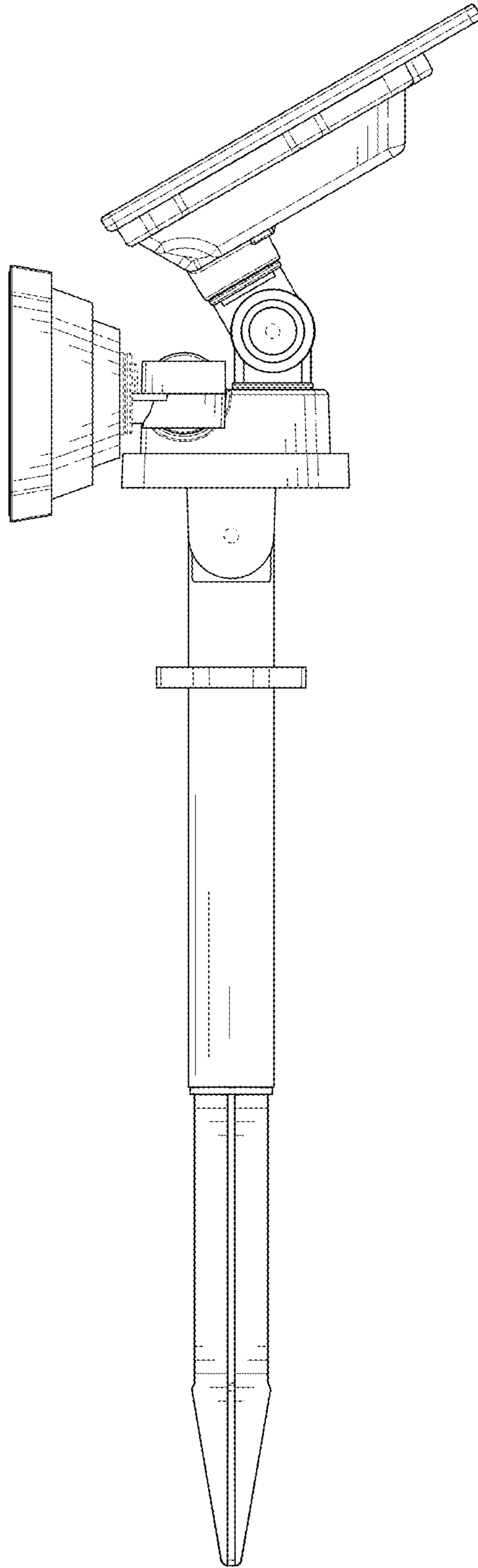


FIG. 6

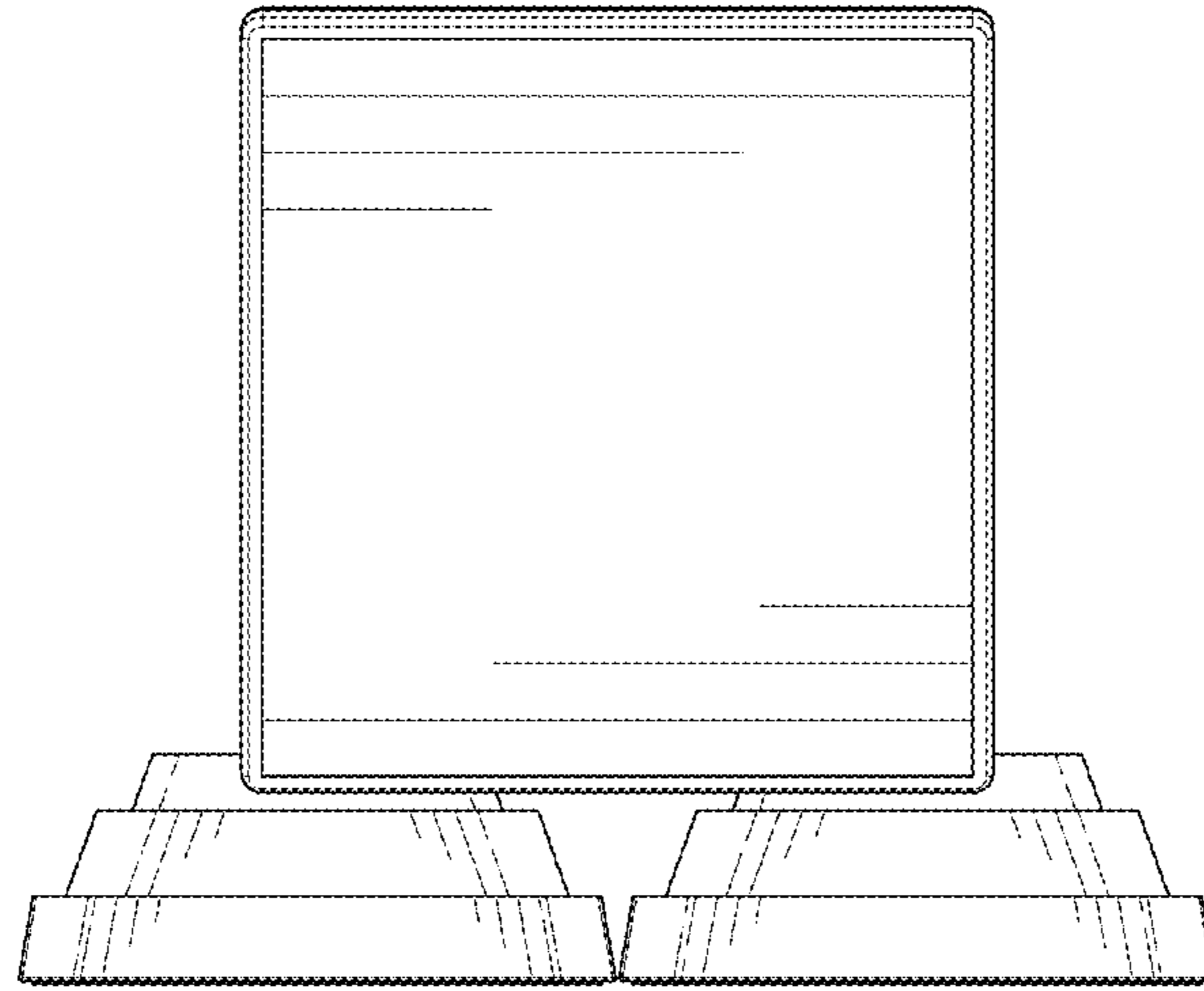


FIG. 7

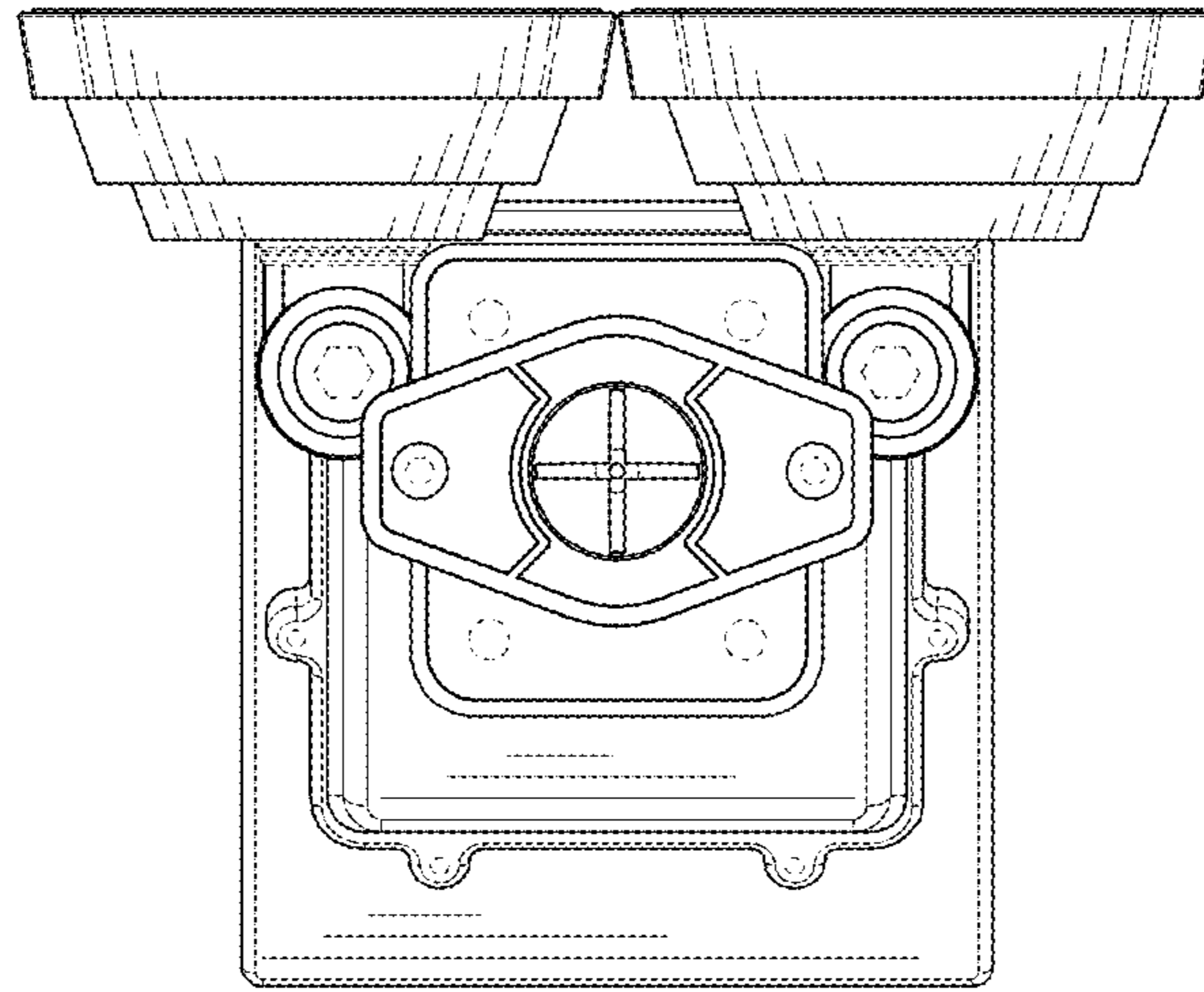


FIG. 8

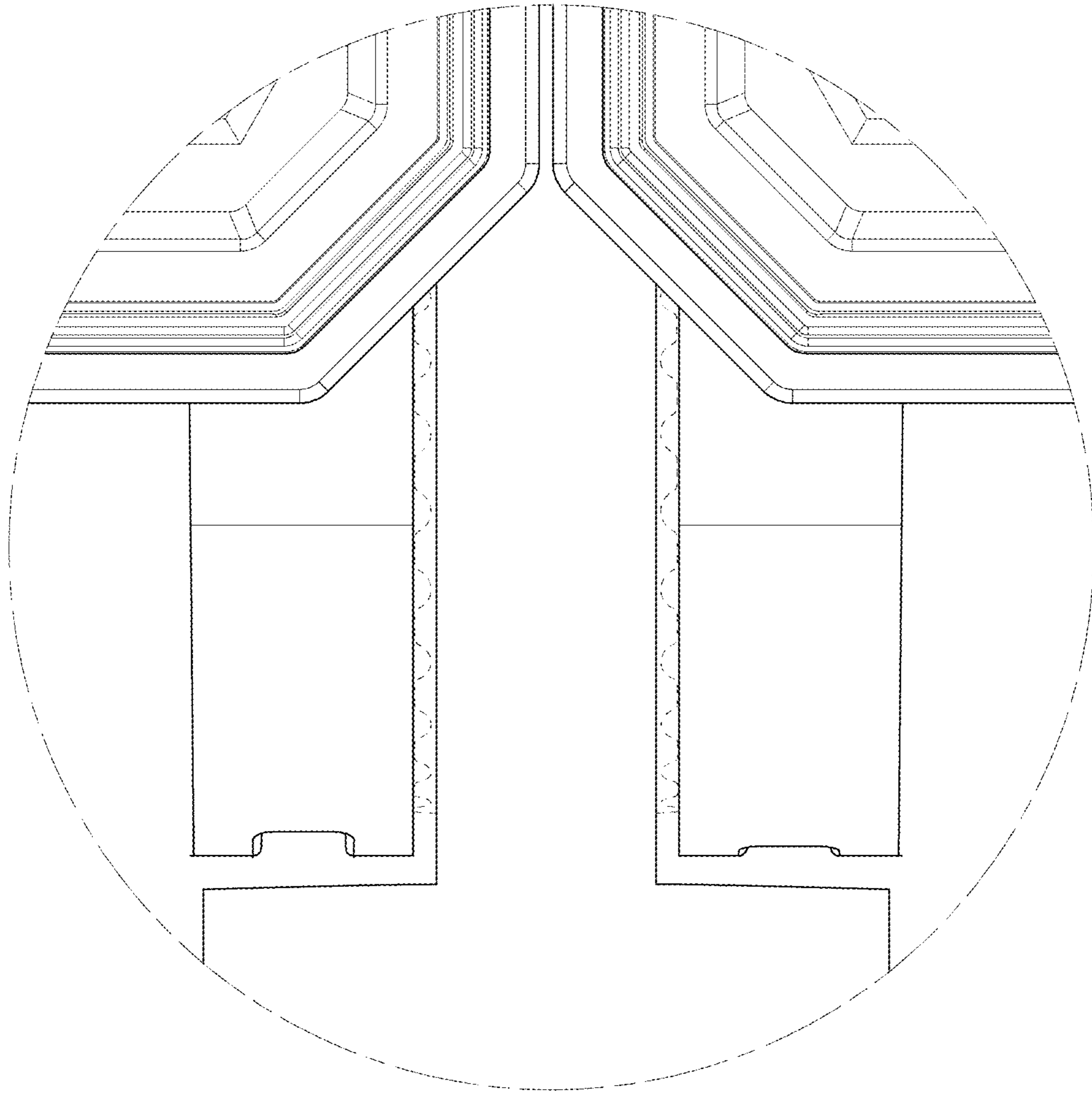


FIG. 9