



US00D984704S

(12) **United States Design Patent**  
**Zeng**

(10) **Patent No.:** **US D984,704 S**

(45) **Date of Patent:** **\*\* Apr. 25, 2023**

(54) **LAMP**

(71) Applicant: **Shenzhen Jiahong Guangtai Co., LTD, Shenzhen (CN)**

(72) Inventor: **Guihua Zeng, Fuzhou (CN)**

(\*\*) Term: **15 Years**

(21) Appl. No.: **29/827,528**

(22) Filed: **Feb. 21, 2022**

(51) **LOC (14) Cl.** ..... **26-05**

(52) **U.S. Cl.**  
USPC ..... **D26/63**

(58) **Field of Classification Search**  
USPC ..... D26/24, 37-39, 42, 44, 49, 51, 60-67, D26/70, 79, 87, 92, 93, 104-108, 110, D26/112, 113; D16/239, 244, 245  
CPC .. F21S 6/005; F21S 6/006; F21S 6/008; F21S 13/12; F21V 21/08; F21V 21/12; F21Y 2115/10; G03B 15/02; G03B 15/05; G03B 15/041; G03B 2215/0575  
See application file for complete search history.

(56) **References Cited**

**U.S. PATENT DOCUMENTS**

2,480,393	A	*	8/1949	Bossert	.....	H04M 1/22 362/558
D619,287	S	*	7/2010	Liu	.....	D26/62
D690,457	S	*	9/2013	Lu	.....	D26/118
D814,093	S		3/2018	Verelst et al.		
D854,227	S	*	7/2019	Yu	.....	D26/106
D871,642	S		12/2019	Ng et al.		
D872,348	S	*	1/2020	Liu	.....	D26/106
D880,048	S	*	3/2020	Zhu	.....	D26/106
D882,843	S	*	4/2020	Kaiser	.....	D26/60
D887,590	S	*	6/2020	Ke	.....	D26/1
D895,876	S		9/2020	Tang		
D901,054	S	*	11/2020	Zhao	.....	D16/237

D903,185	S	*	11/2020	Li	.....	D26/106
D907,836	S	*	1/2021	Zhou	.....	D16/237
D910,220	S	*	2/2021	Wang	.....	D26/63
D924,454	S	*	7/2021	Xiong	.....	D26/51
D929,643	S	*	8/2021	Feng	.....	D16/244
D930,223	S	*	9/2021	Ran	.....	D16/244

(Continued)

**OTHER PUBLICATIONS**

Ring Light, posted at Amazon, date first available Mar. 27, 2019. Site visited Sep. 21, 2022. Available from internet, URL: <https://www.amazon.com/YouTube-Desktop-Streaming-Photography-Compatible/dp/B07QJXCB28> (Year: 2019).\*

(Continued)

*Primary Examiner* — Samantha Wood  
*Assistant Examiner* — Vanessa Martinez  
(74) *Attorney, Agent, or Firm* — Rumit Ranjit Kanakia

(57) **CLAIM**

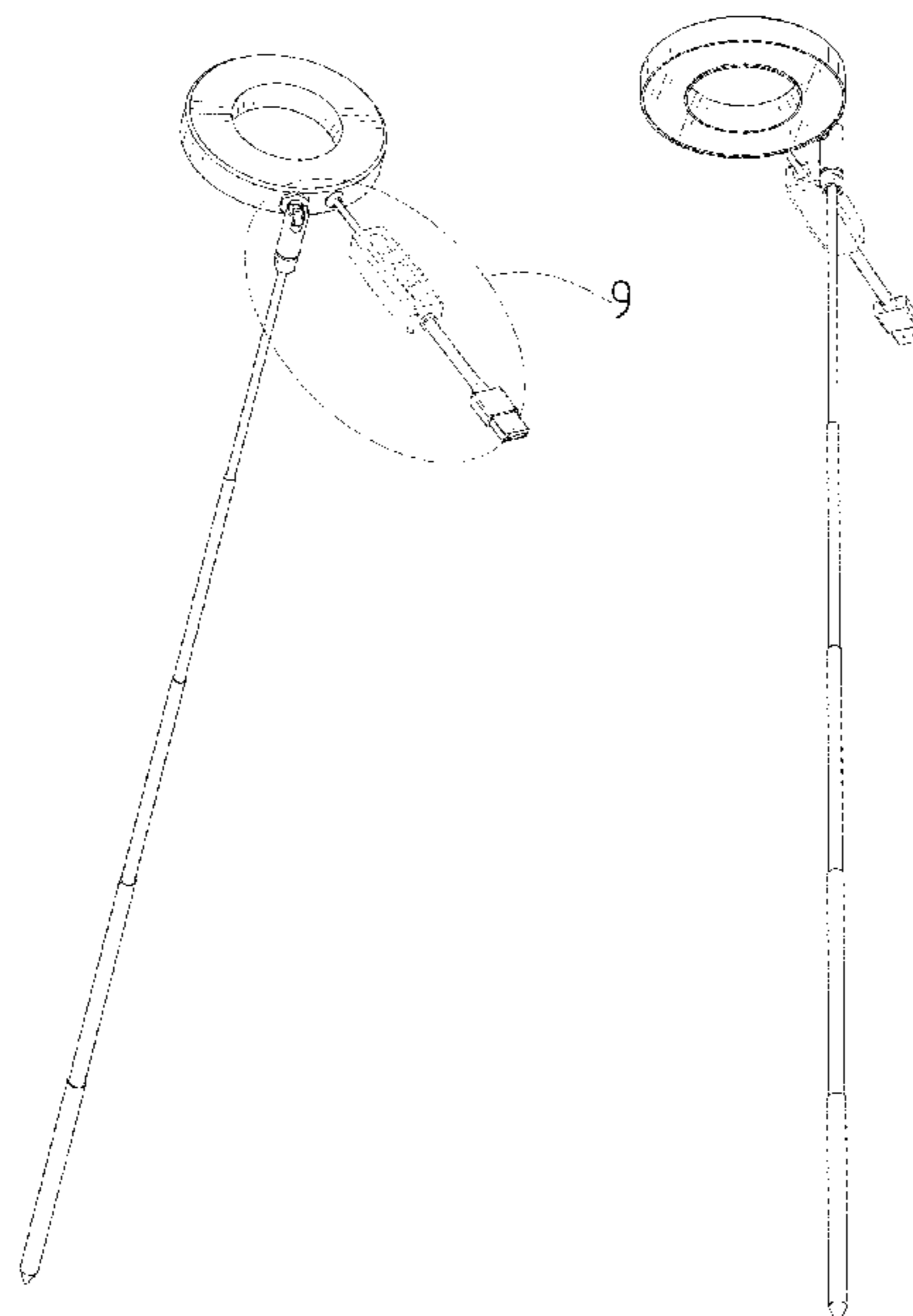
The ornamental design for a lamp, as shown and described.

**DESCRIPTION**

FIG. 1 is a first perspective view of a lamp showing my new design;  
FIG. 2 is a second perspective view thereof;  
FIG. 3 is a front view thereof;  
FIG. 4 is a back view thereof;  
FIG. 5 is a left side view thereof;  
FIG. 6 is a right side view thereof;  
FIG. 7 is a top view thereof;  
FIG. 8 is a bottom view thereof; and,  
FIG. 9 is an enlarged view of the selected portion 9 in FIG. 1.

The evenly-spaced broken lines shown in the drawings depict portions of the lamp that form no part of the claimed design; the unevenly-spaced broken lines in FIGS. 1 and 9 delineate areas of the figures shown enlarged and form no part of the claimed design.

**1 Claim, 9 Drawing Sheets**



(56)

**References Cited**

U.S. PATENT DOCUMENTS

D954,321 S \* 6/2022 Chen ..... D26/61

OTHER PUBLICATIONS

Selfie Ring Light, posted at Amazon, date first available Nov. 4, 2020. Site visited Sep. 21, 2022. Available from internet, URL: <https://www.amazon.com/Desktop-Ringlight-Photography-YouTube-Recording/dp/B08JHWZ44S?th=1> (Year: 2020).\*

\* cited by examiner

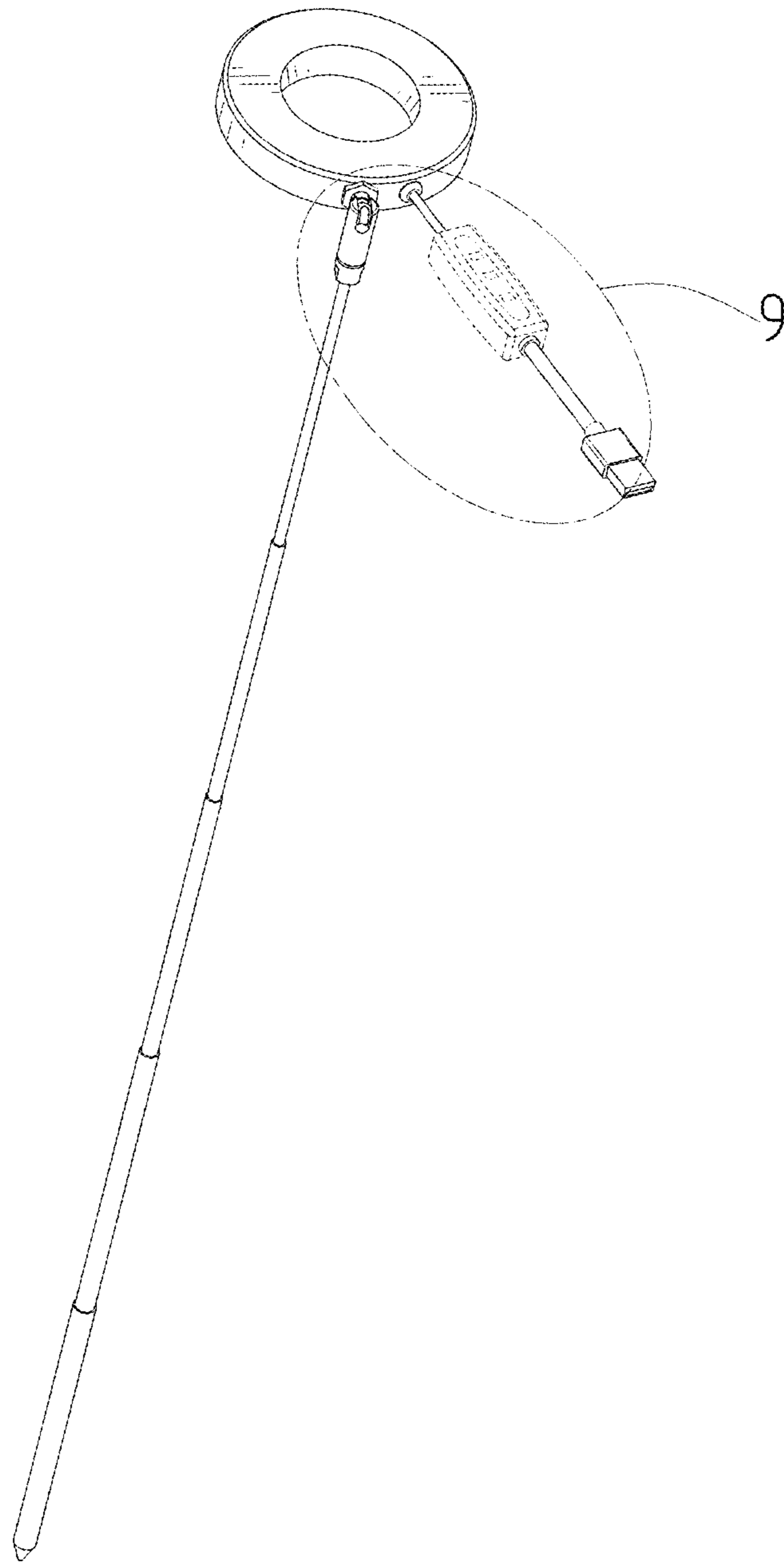


FIG. 1

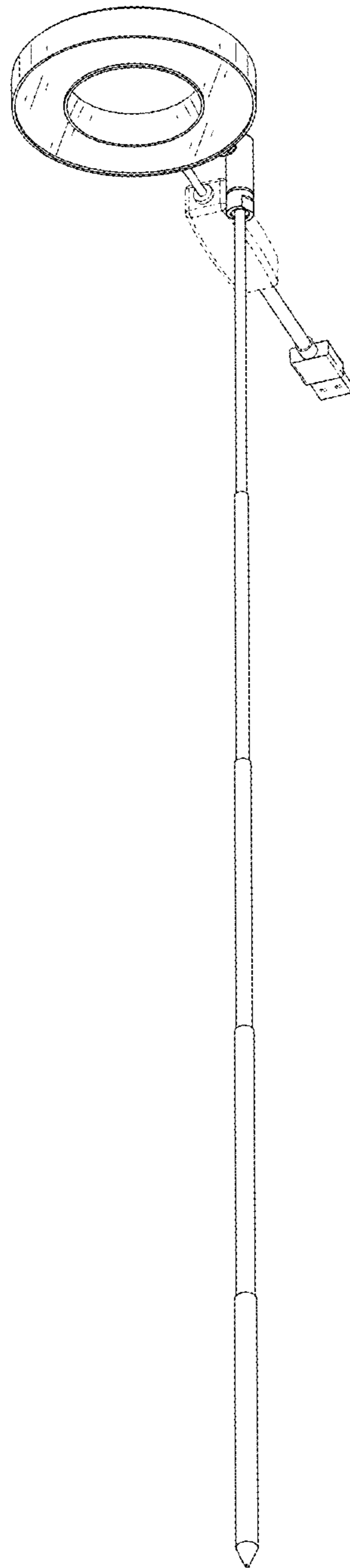


FIG. 2

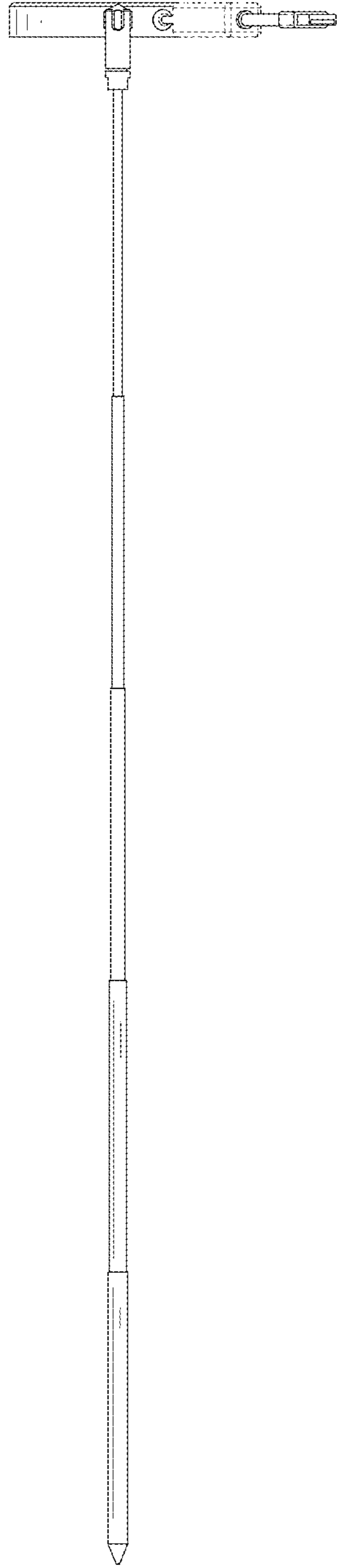


FIG. 3

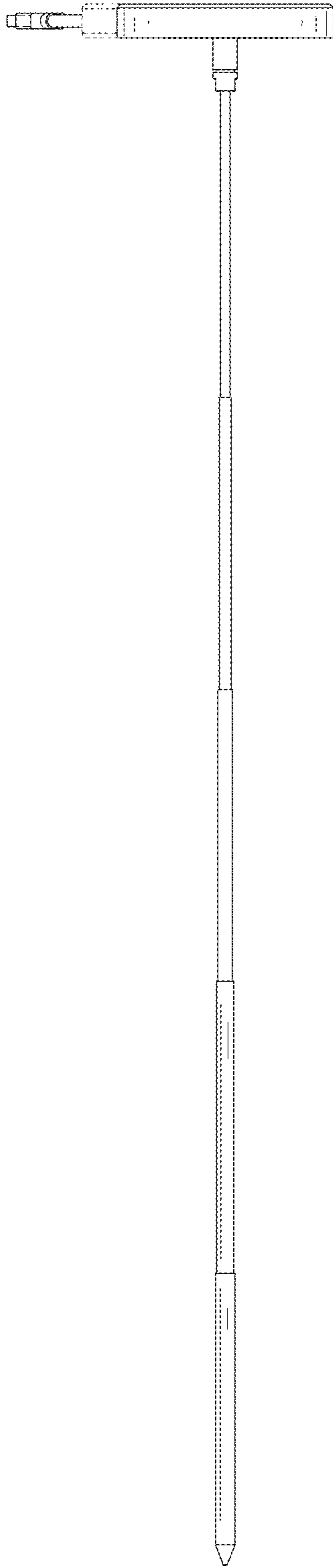


FIG. 4

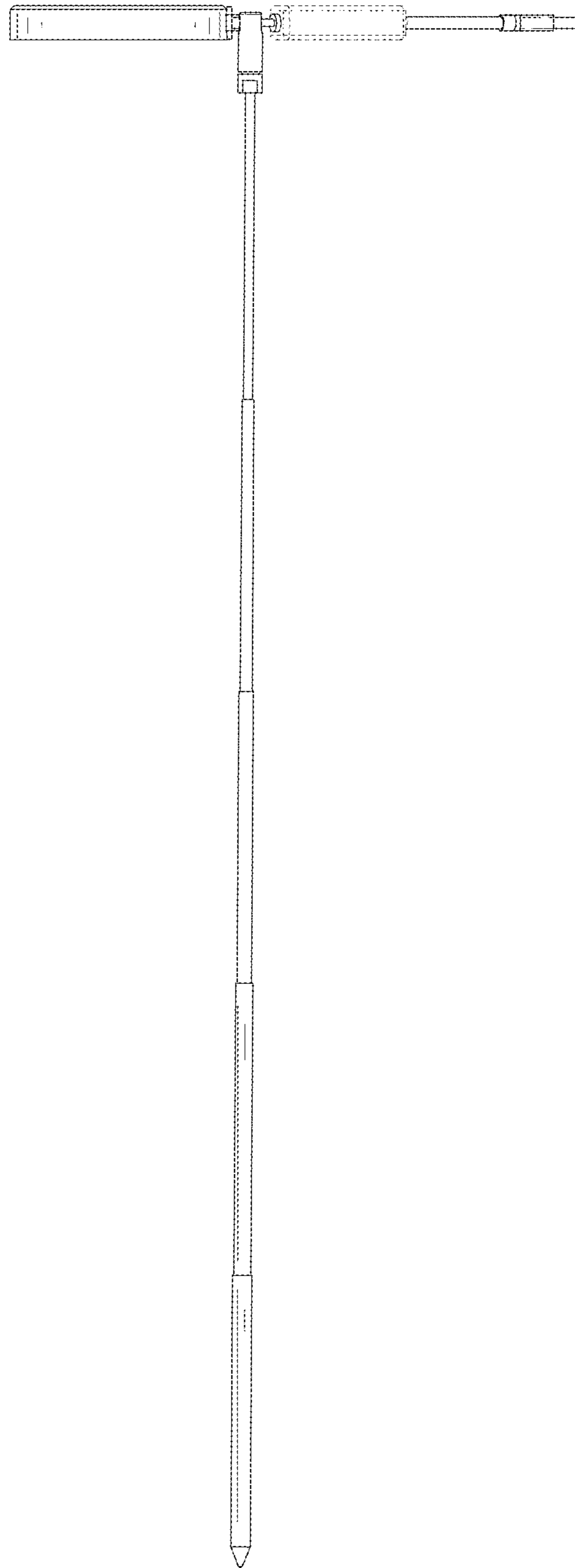


FIG. 5

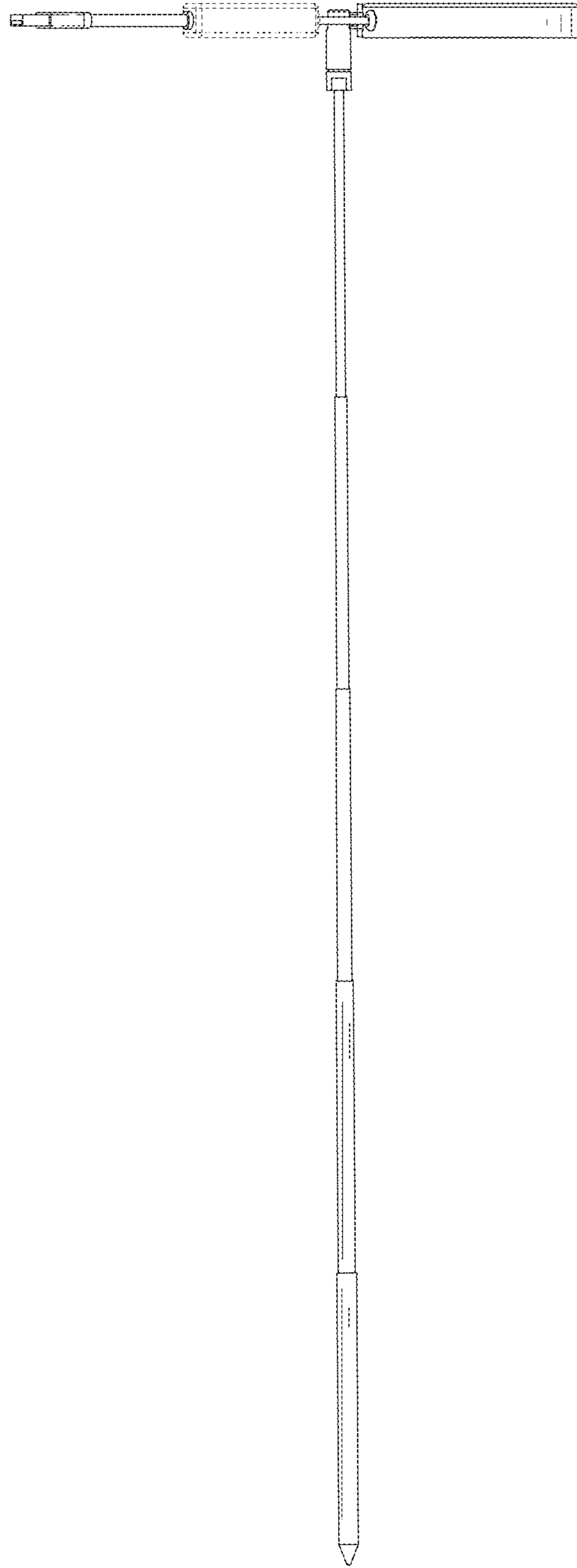


FIG. 6



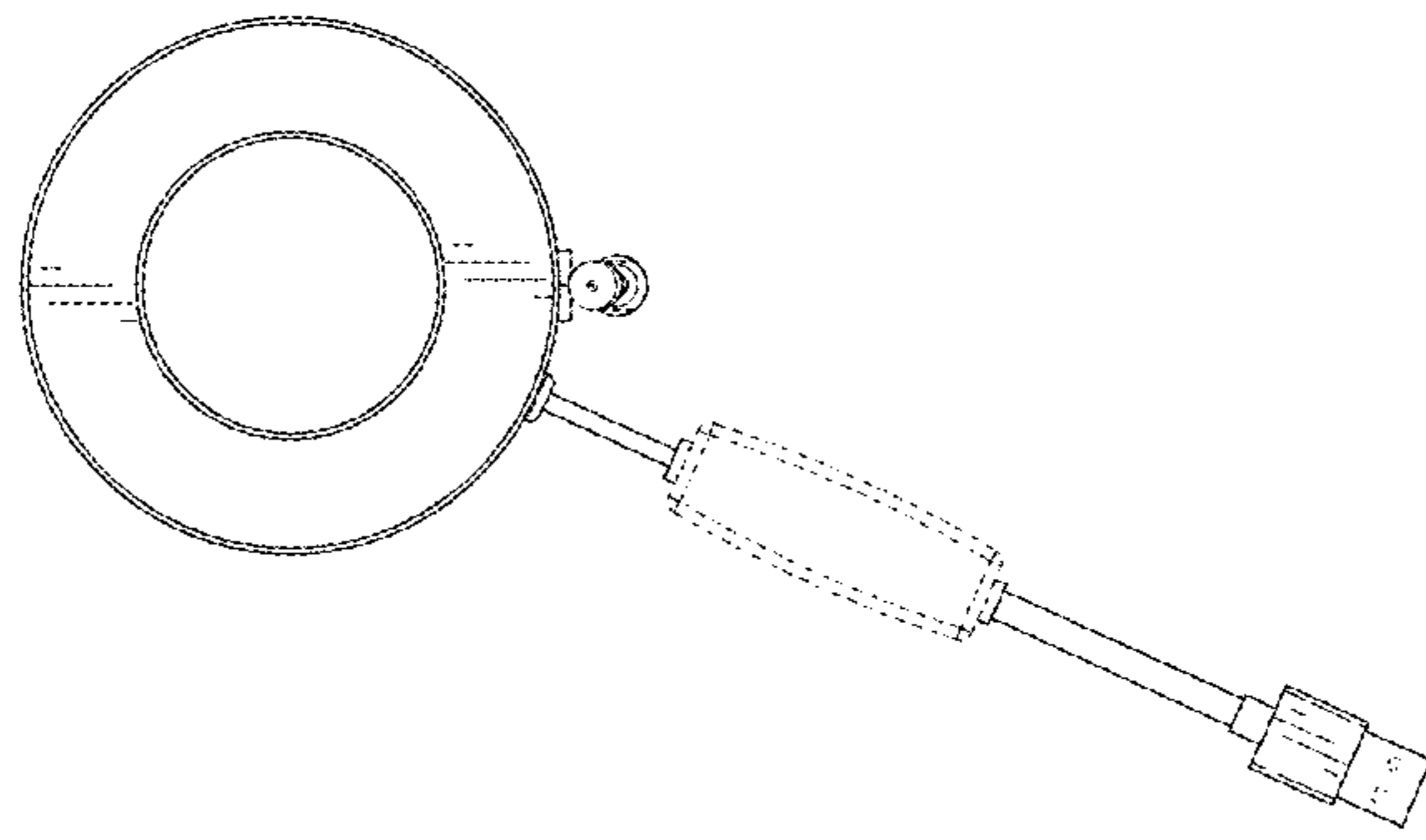


FIG. 7

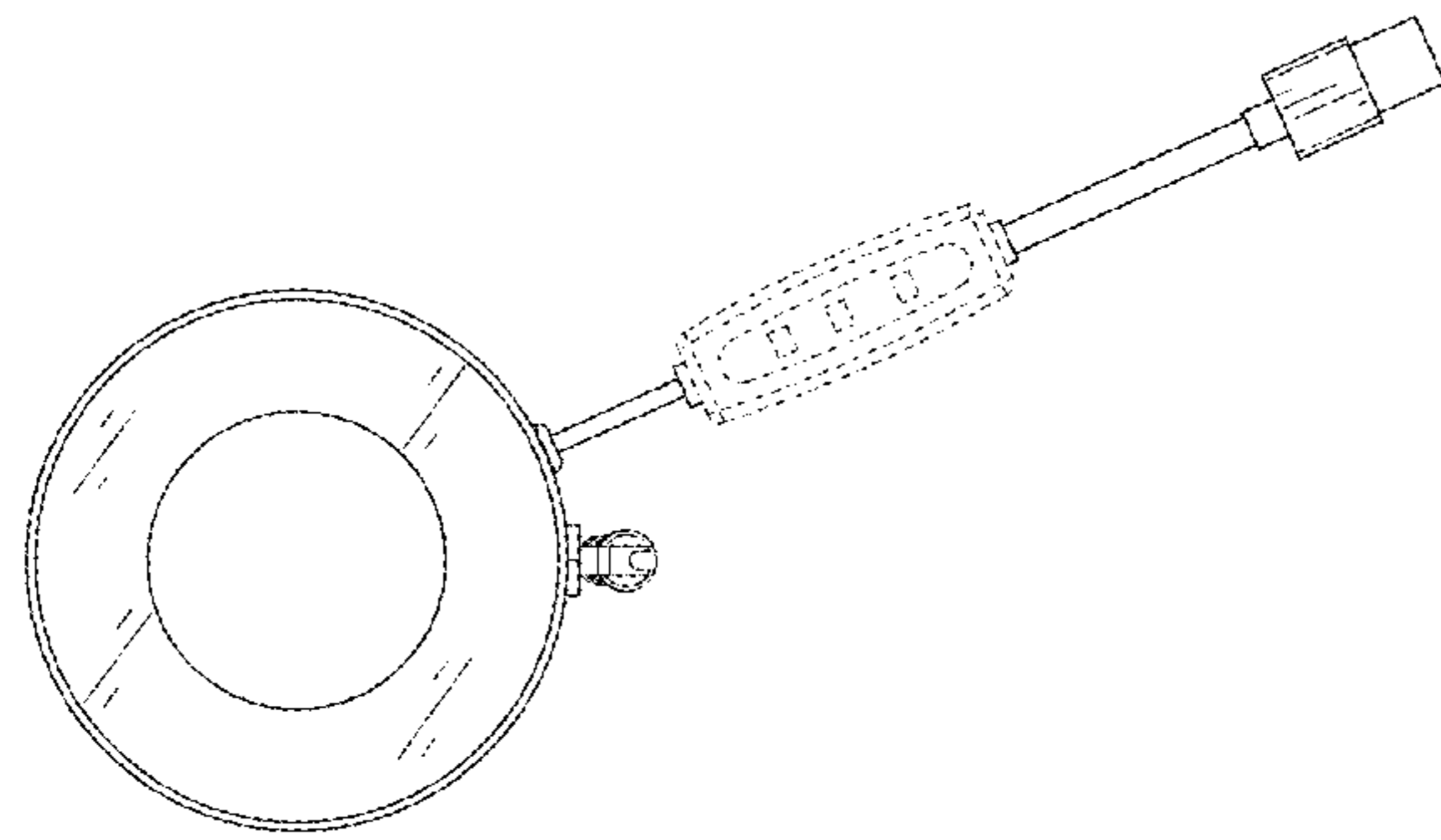


FIG. 8

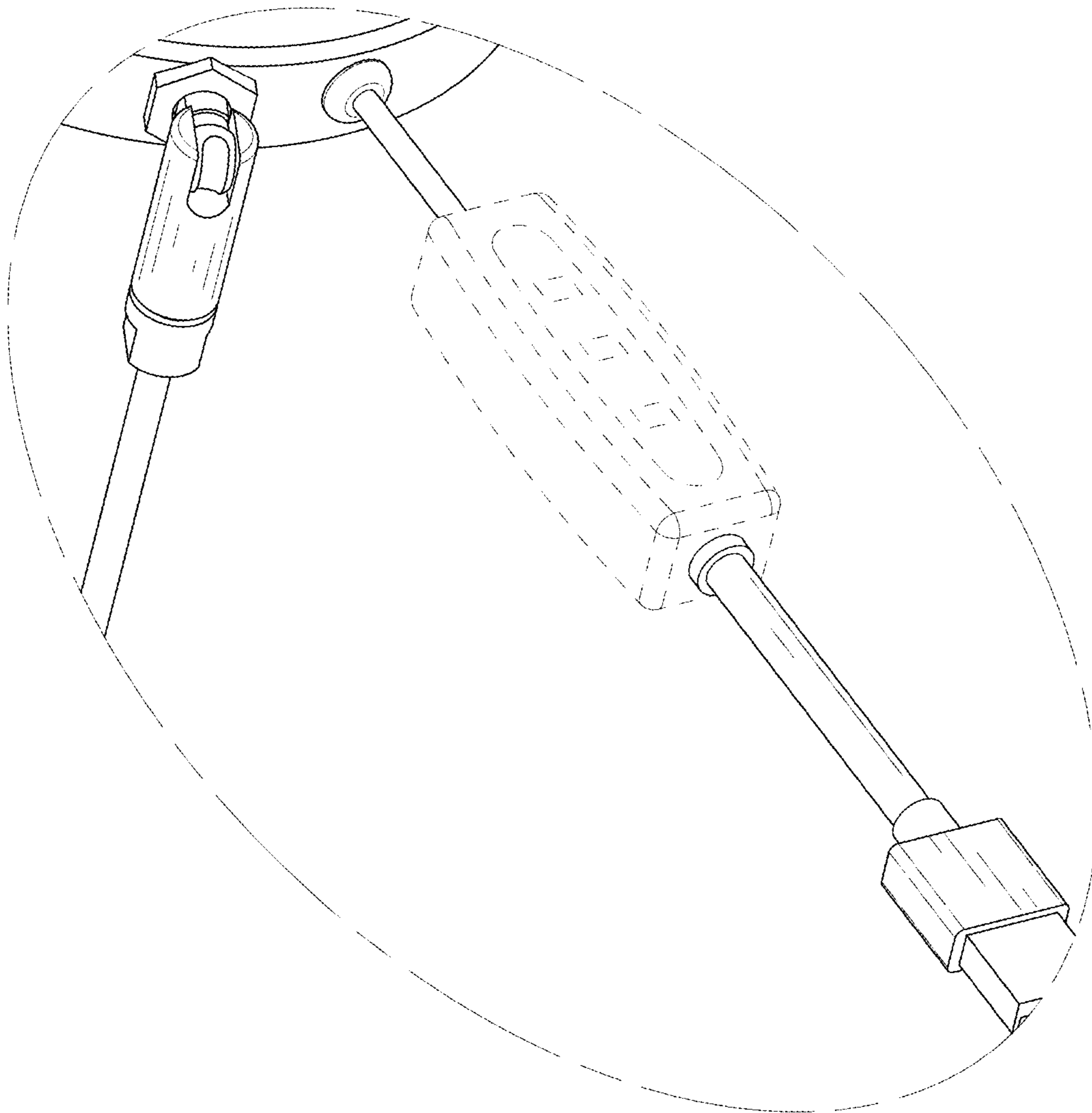


FIG. 9