



US00D984703S

(12) **United States Design Patent**
Harders

(10) **Patent No.:** **US D984,703 S**

(45) **Date of Patent:** **** Apr. 25, 2023**

(54) **LOW-VOLTAGE UP-LIGHT**

(71) Applicant: **Patrick Harders**, Sterling, VA (US)

(72) Inventor: **Patrick Harders**, Sterling, VA (US)

(**) Term: **15 Years**

(21) Appl. No.: **29/732,461**

(22) Filed: **Apr. 24, 2020**

(51) **LOC (14) Cl.** **26-05**

(52) **U.S. Cl.**
USPC **D26/63; D26/67**

(58) **Field of Classification Search**
USPC D26/67, 68
CPC F21S 8/02; F21S 8/032; F21S 8/036; F21S
8/081; F21S 8/083; F21S 8/088; F21S
9/02; F21S 9/035; F21S 9/03; F21S
9/037; F21V 21/0824; F21W 2111/02;
F21W 2111/023; F21W 2131/109
See application file for complete search history.

(56) **References Cited**

U.S. PATENT DOCUMENTS

D385,638 S *	10/1997	Bonnette	D26/62
D417,519 S *	12/1999	Cutler	D26/63
D435,925 S *	1/2001	Hiller	D26/63
D442,717 S *	5/2001	Binsukor	D26/63
D495,079 S *	8/2004	Mullen	D26/63
D542,956 S *	5/2007	Benghozi	D26/63
D574,532 S *	8/2008	Lee	D26/63
D590,979 S *	4/2009	Mullen	D26/63
D723,726 S *	3/2015	Reed	D26/63
D735,923 S *	8/2015	Helms	D26/63
D912,870 S *	3/2021	Harders	D26/63
D913,555 S *	3/2021	Harders	D26/63
11,067,262 B2 *	7/2021	Mullen	F21V 21/30

2017/0198887 A1 *	7/2017	Veloskey	F21S 8/081
2020/0191366 A1 *	6/2020	Mullen	F21V 27/005
2022/0325876 A1 *	10/2022	Erdener	H05B 45/10

OTHER PUBLICATIONS

Kichler 12V Brass Accent Light, Model 15475. Available from kichler.com as early as Dec. 14, 2018. (Year: 2018).*

Best Pro Lighting 3W LED Low Voltage Landscape up Light, ASIN: B00B5NTR8W. Available from amazon.com Jan. 25, 2013. (Year: 2013).*

Gardenreet 12V Low Voltage Directional Uplight, ASIN: B07DZBPTWD. Available from amazon.com Jun. 24, 2018. (Year: 2018).*

Rab Lighting Spotlight Model No. 1089913, ASIN: B0107P03EK. Available from amazon.com Jun. 22, 2015. (Year: 2015).*

* cited by examiner

Primary Examiner — Clare E Hefflin

(57) **CLAIM**

The ornamental design for a low-voltage up-light, as shown and described.

DESCRIPTION

FIG. 1 is a front perspective view of the low-voltage up-light showing the new design;

FIG. 2 is a rear perspective view thereof;

FIG. 3 is a top view thereof;

FIG. 4 is a left side view thereof;

FIG. 5 is a bottom view thereof;

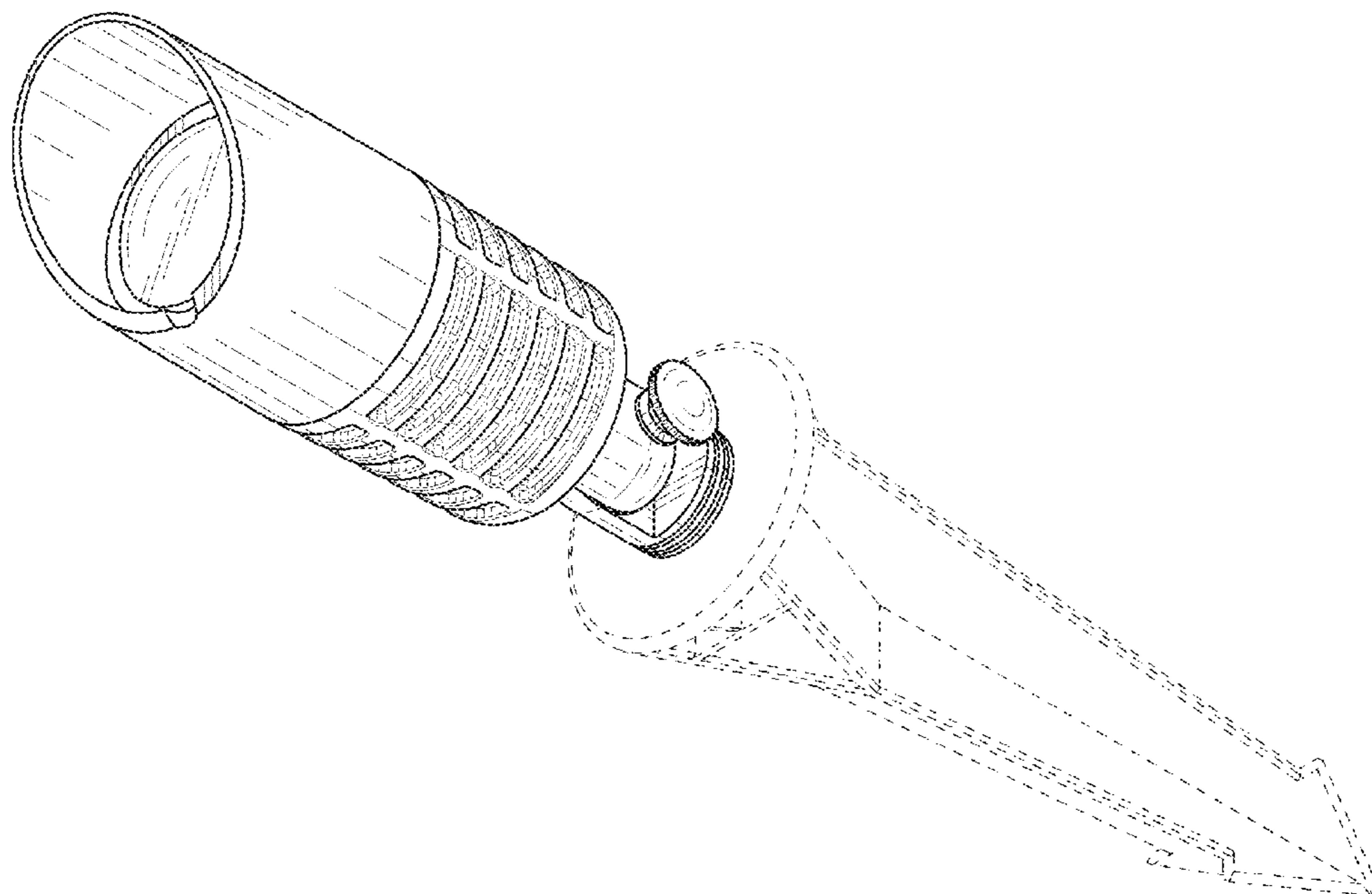
FIG. 6 is a right side view thereof;

FIG. 7 is a rear view thereof; and,

FIG. 8 is a front view thereof.

The broken lines shown on the drawings depict portions of the low-voltage up-light that form no part of the claimed design.

1 Claim, 5 Drawing Sheets



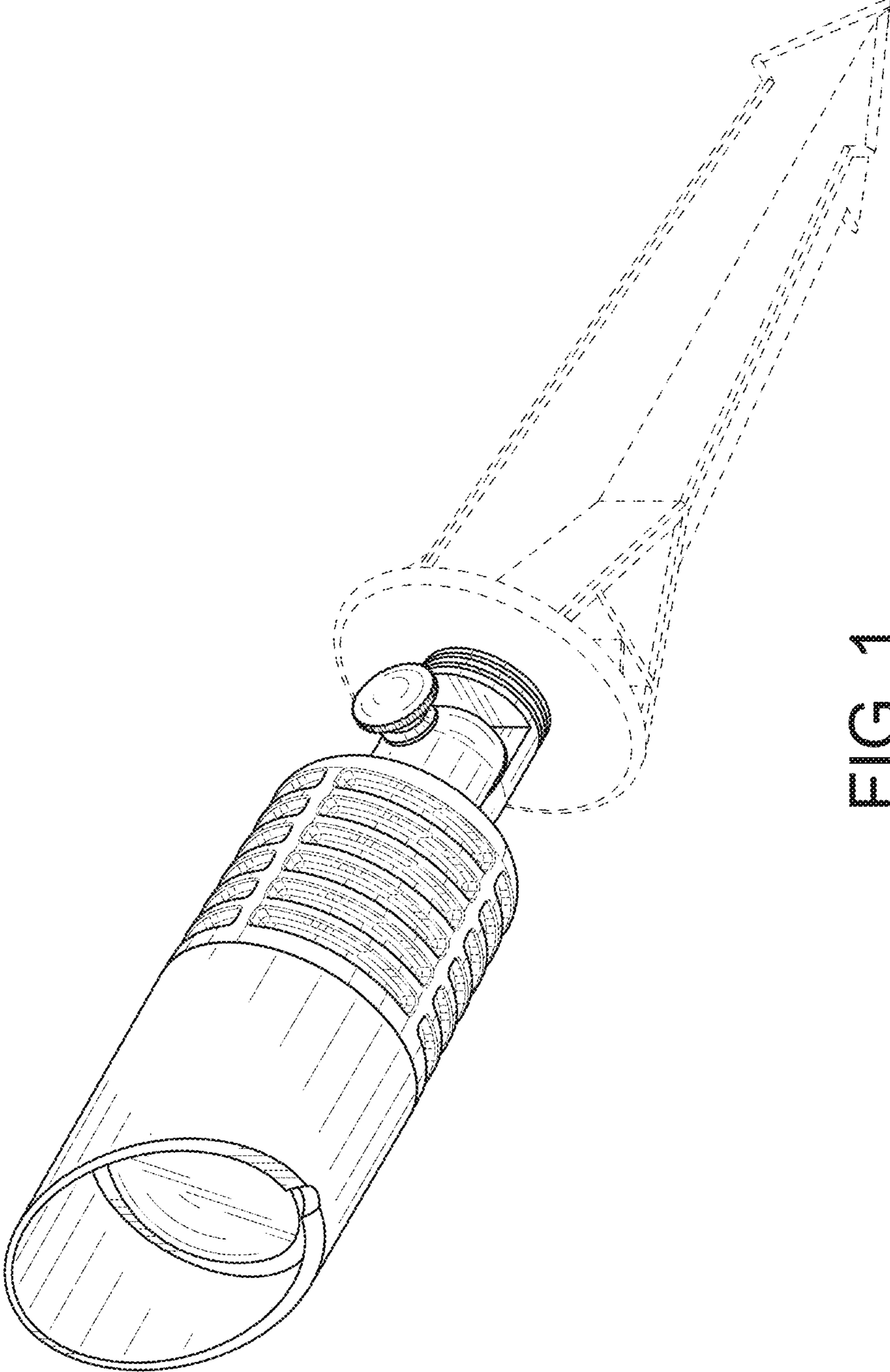


FIG. 1

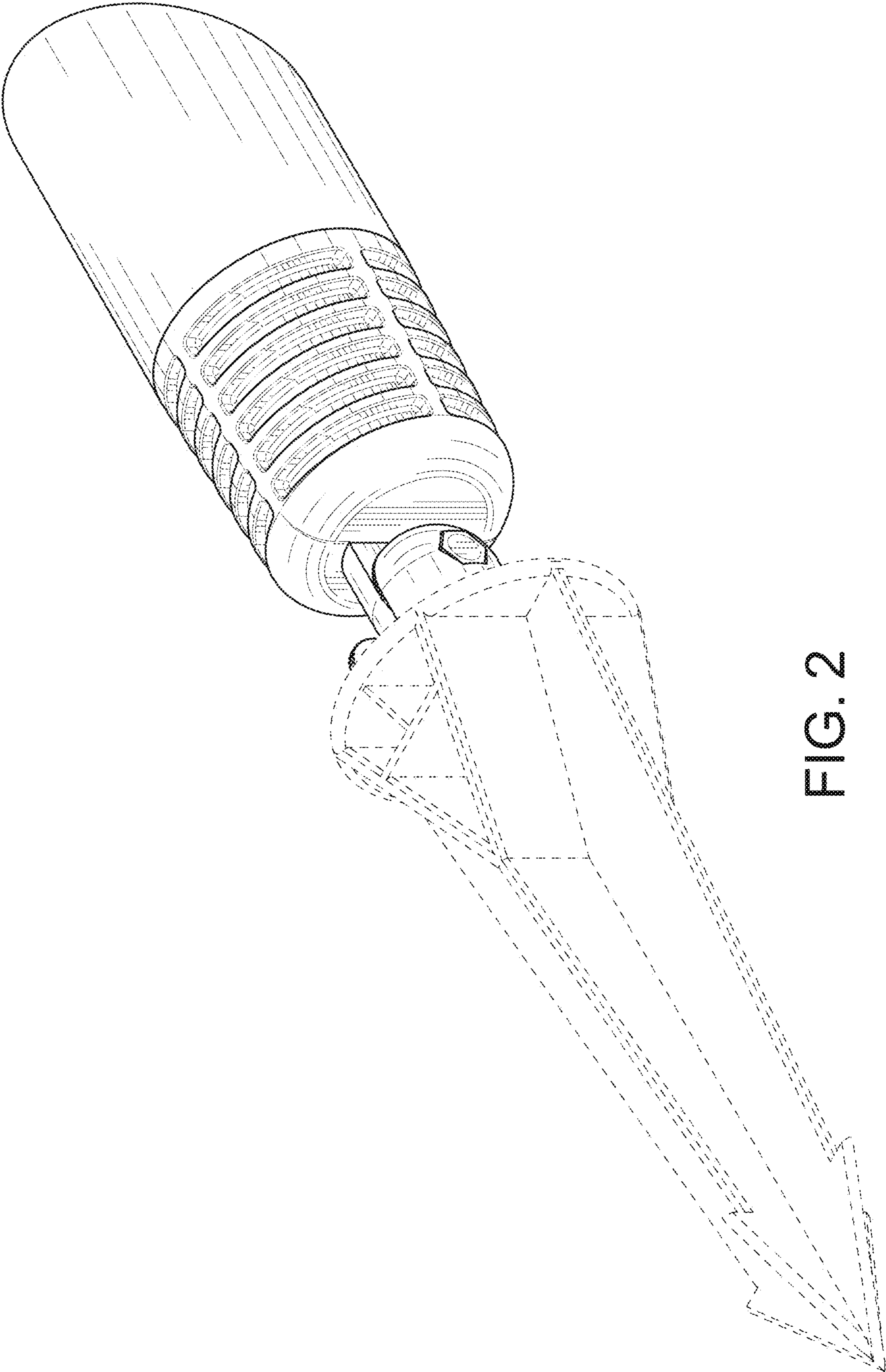


FIG. 2

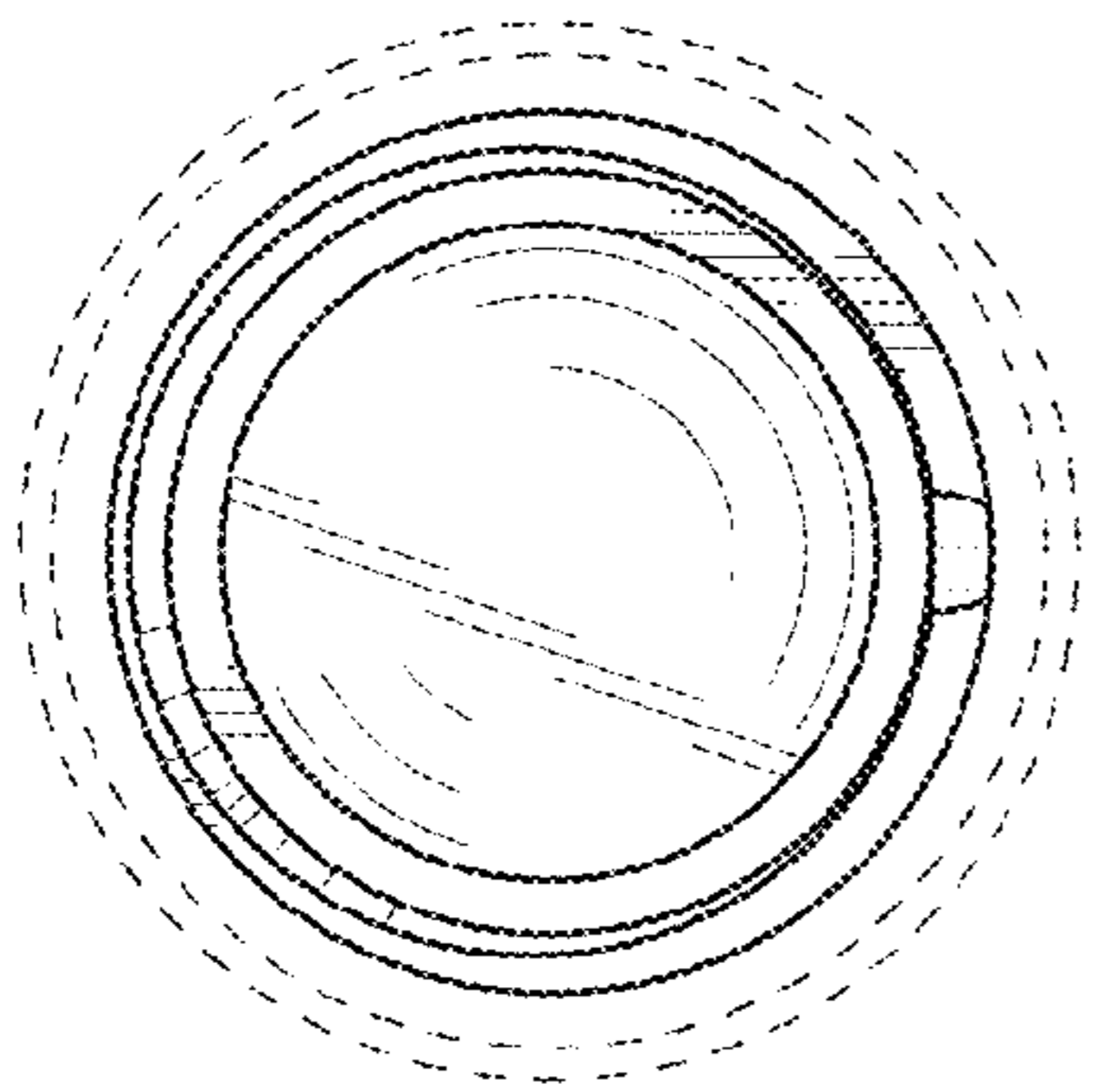


FIG. 3

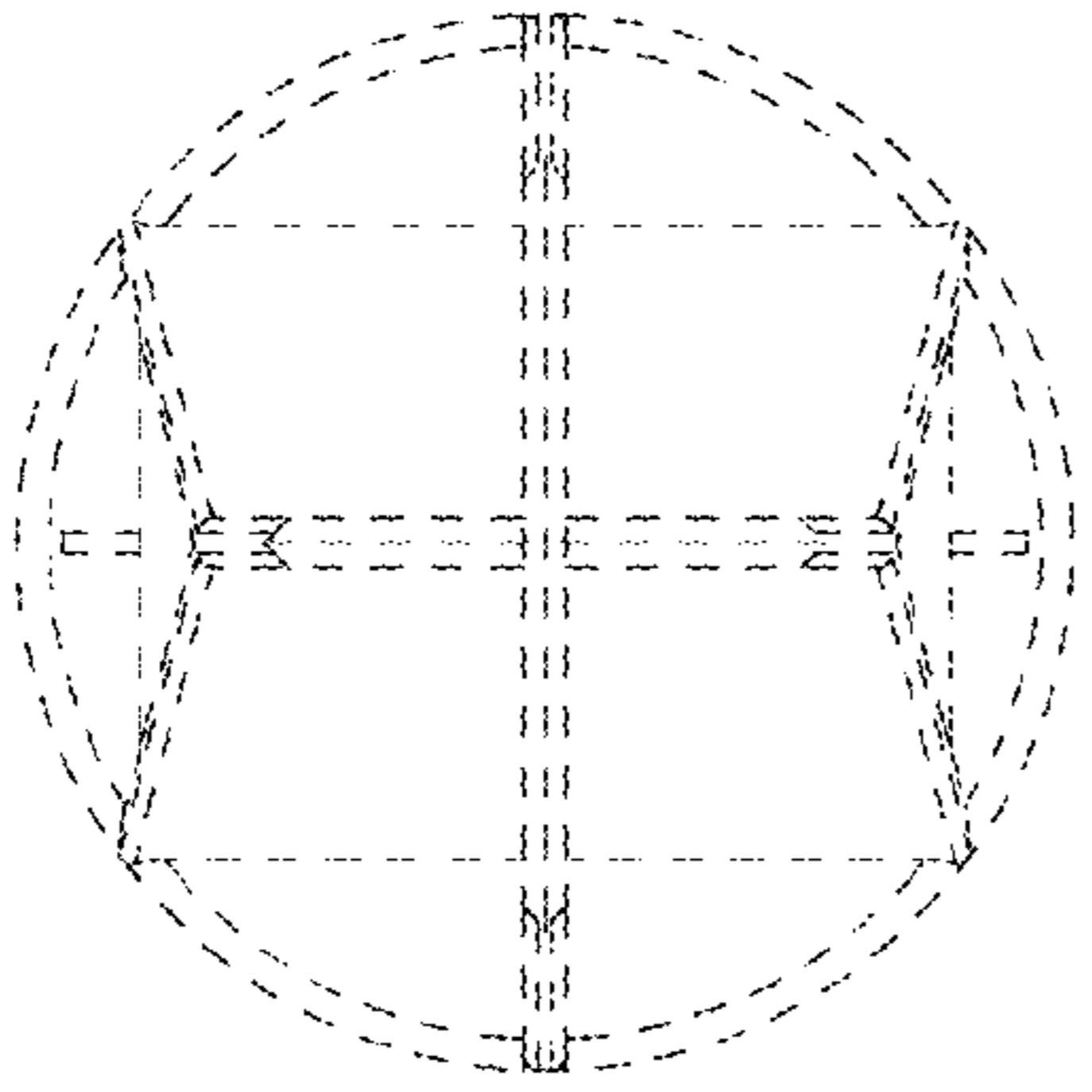


FIG. 5

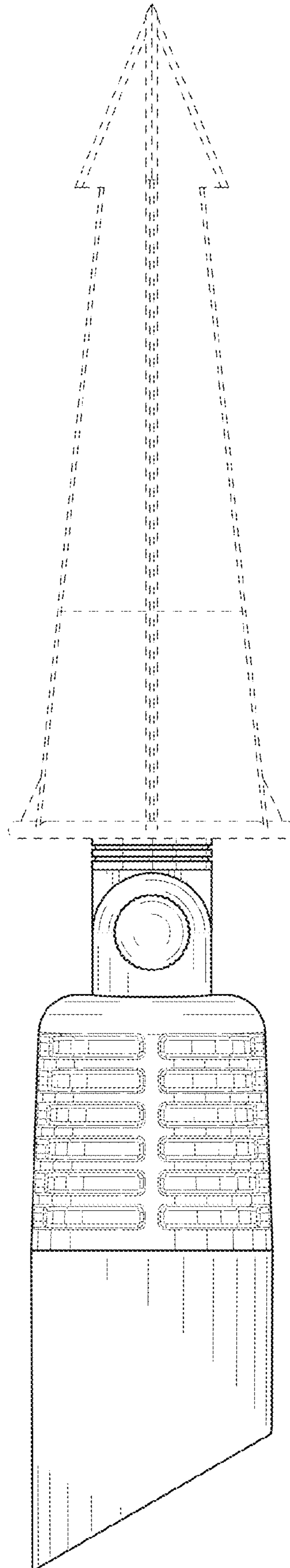


FIG. 4

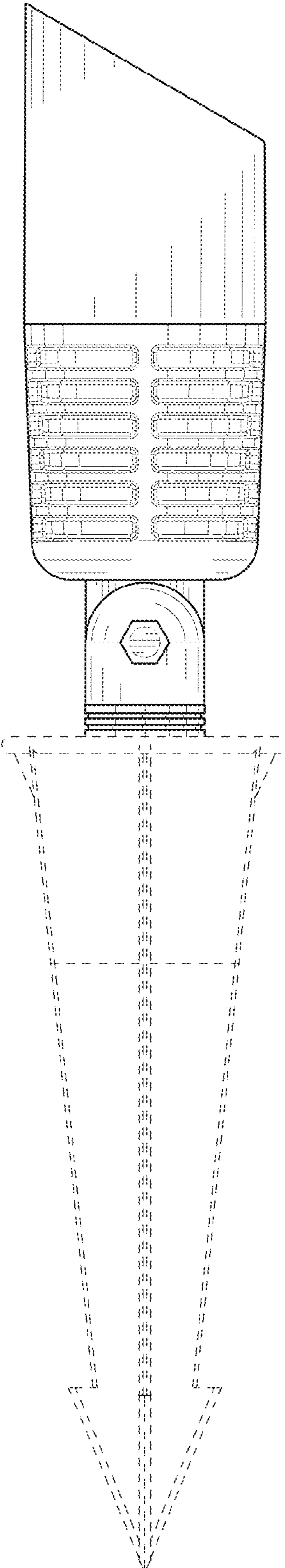


FIG. 6

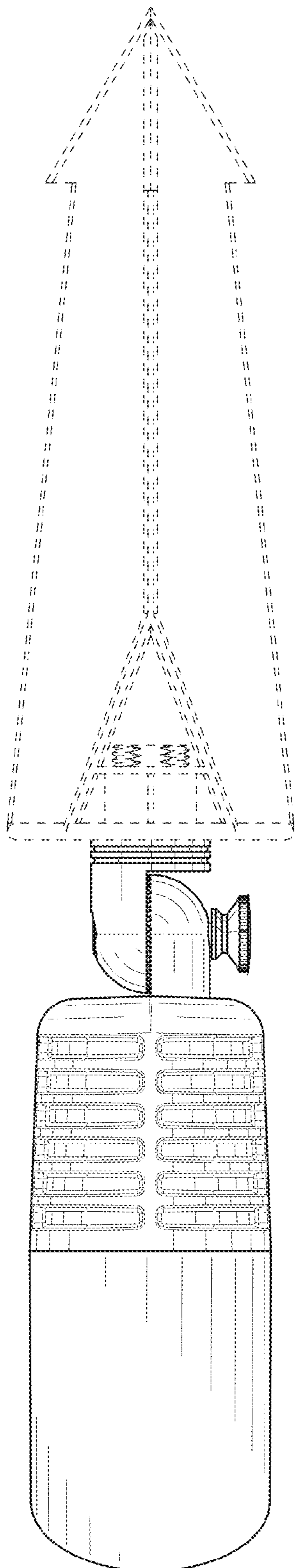


FIG. 7

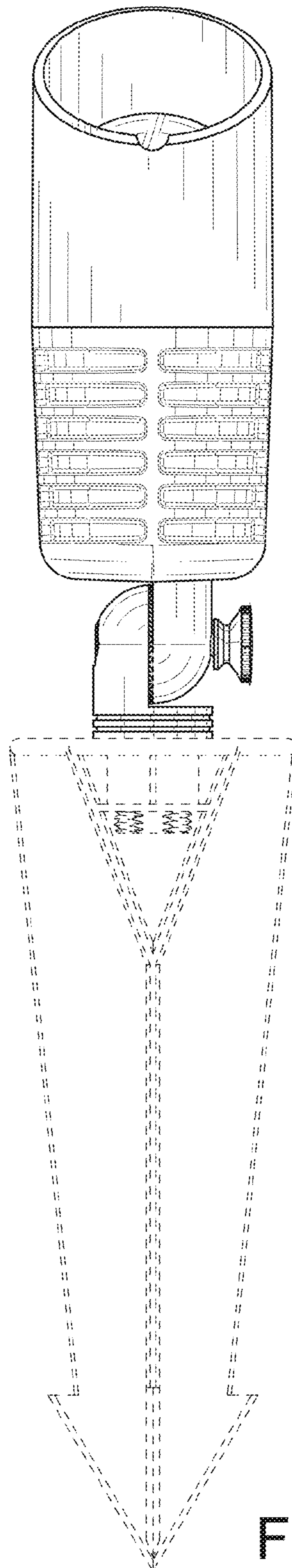


FIG. 8