



US00D984702S

(12) **United States Design Patent**
Li

(10) **Patent No.:** **US D984,702 S**

(45) **Date of Patent:** **** Apr. 25, 2023**

(54) **FILL LIGHT**

(71) Applicant: **Shenzhen Chilong Industrial Co., Ltd.**, Shenzhen (CN)

(72) Inventor: **Xiaowen Li**, Shenzhen (CN)

(**) Term: **15 Years**

(21) Appl. No.: **29/805,883**

(22) Filed: **Aug. 31, 2021**

(51) **LOC (14) Cl.** **26-05**

(52) **U.S. Cl.**
USPC **D26/61; D16/239**

(58) **Field of Classification Search**
USPC D26/24, 37, 43, 60-63, 64, 65, 93, 102;
D16/239, 240
CPC F21K 9/00; F21K 9/20; F21L 4/00; F21L 4/005; F21L 4/06; F21S 9/00; F21S 9/02; F21V 21/042; F21V 21/08; F21V 21/088
See application file for complete search history.

(56) **References Cited**

U.S. PATENT DOCUMENTS

D457,977 S *	5/2002	Mier-Langner	D26/63
D459,514 S *	6/2002	Mier-Langner	D26/63
D709,235 S	7/2014	Chu		
D716,993 S	11/2014	Rashid		
D773,105 S	11/2016	Feit		
D808,572 S	1/2018	Zhang		
D854,227 S	7/2019	Yu		
D867,178 S *	11/2019	Deng	D10/70
D869,719 S	12/2019	Liu		
D872,348 S	1/2020	Liu		
D903,185 S	11/2020	Li		

D928,369 S *	8/2021	Huang	D26/37
D945,033 S *	3/2022	Jiang	D26/39
D956,292 S *	6/2022	Bian	D26/38
2005/0190553 A1 *	9/2005	Lynch	F21V 3/04 362/227

* cited by examiner

Primary Examiner — Richard Kearney

Assistant Examiner — Liv C Anderson

(74) *Attorney, Agent, or Firm* — Rumit Ranjit Kanakia

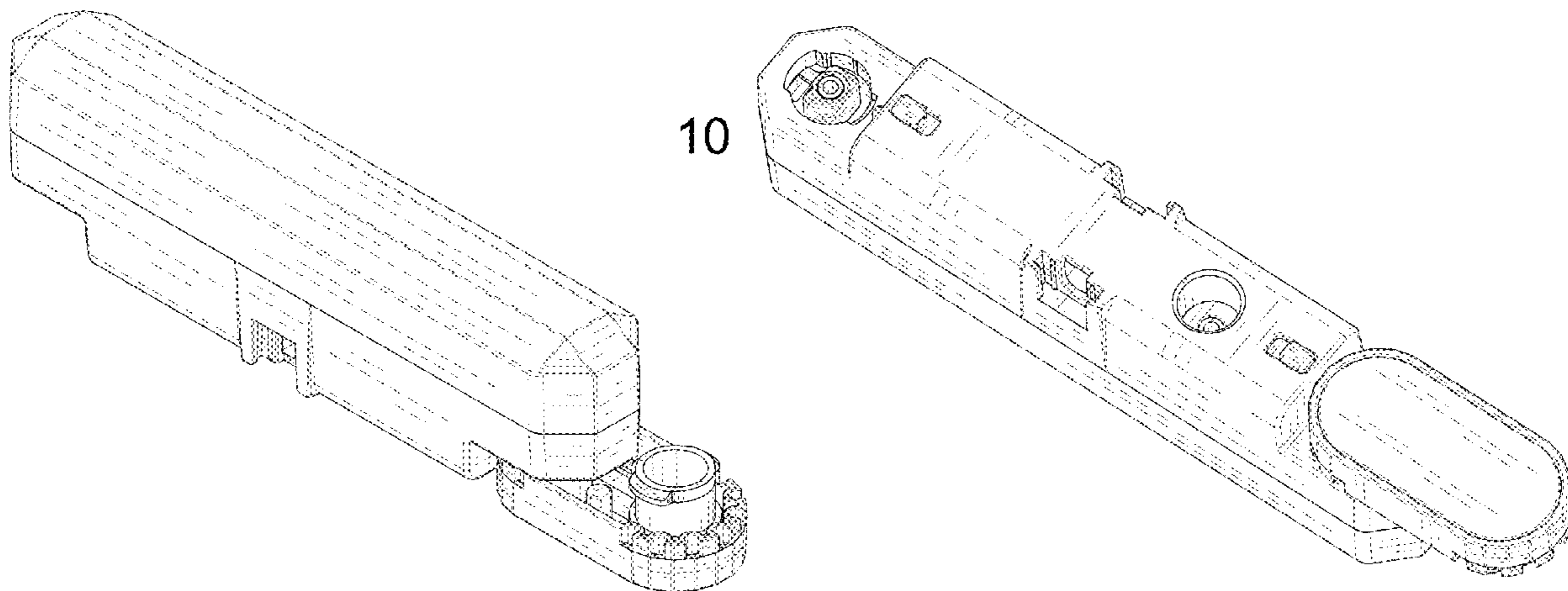
(57) **CLAIM**

The ornamental design for a fill light, as shown and described.

DESCRIPTION

FIG. 1 is a front elevational view of a fill light showing my new design;
 FIG. 2 is a rear elevational view thereof;
 FIG. 3 is a left side view thereof;
 FIG. 4 is a right side view thereof;
 FIG. 5 is a top plan view thereof;
 FIG. 6 is a bottom plan view thereof;
 FIG. 7 is a perspective view thereof;
 FIG. 8 the second perspective view thereof;
 FIG. 9 is a perspective view thereof, shown in an alternate configuration of use; and,
 FIG. 10 is a partial enlarged view of FIG. 7.
 The broken lines in the figures are for the purpose of illustrating portions of the fill light, that form no part of the claimed design. The additional broken lines encircling the enlarged view in FIG. 7 is for annotative purpose only and form no part of the claim thereof.

1 Claim, 10 Drawing Sheets



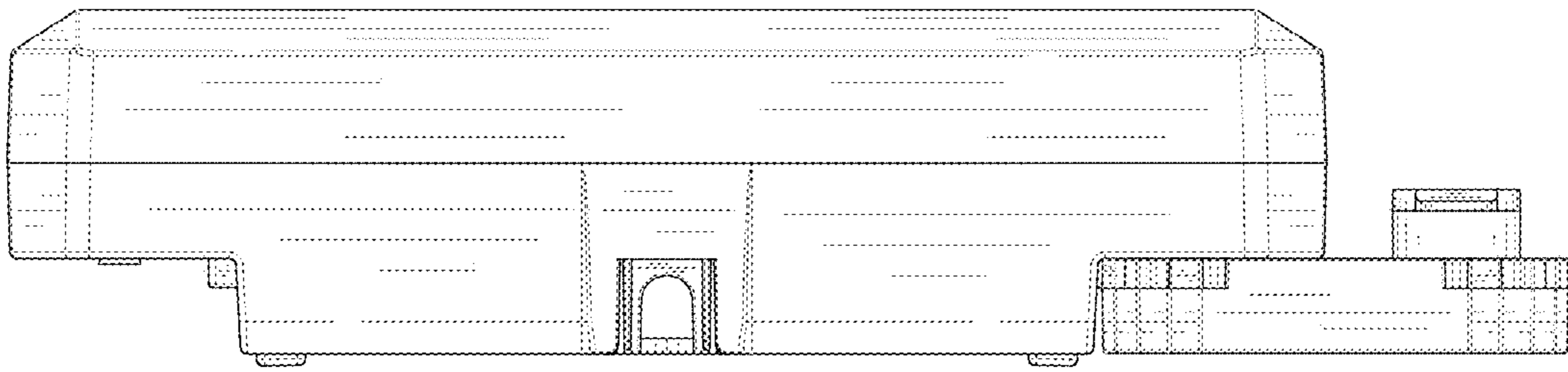


FIG. 1

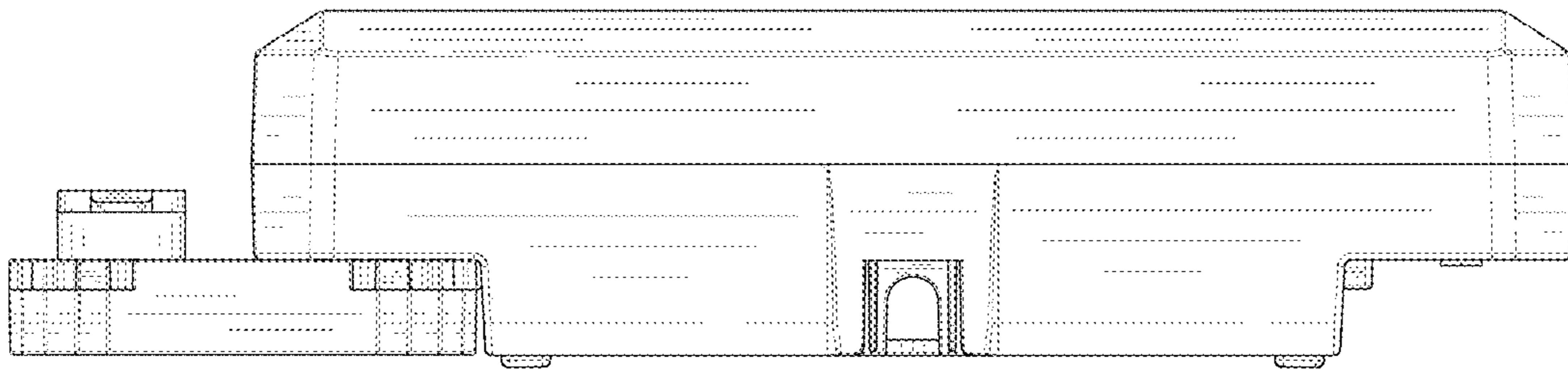


FIG. 2

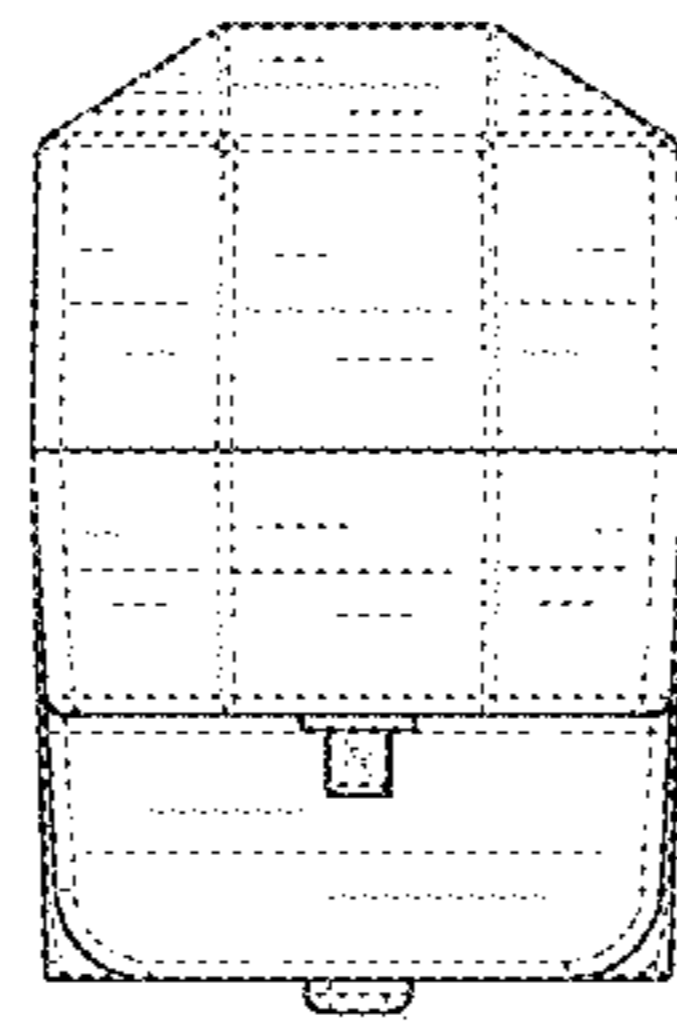


FIG. 3

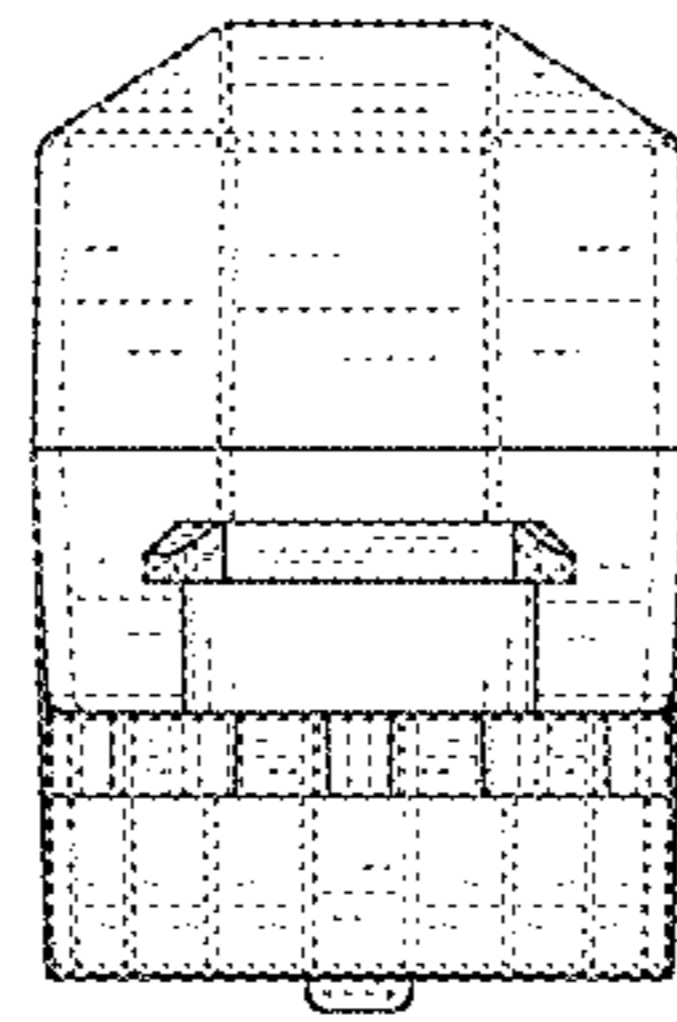


FIG. 4

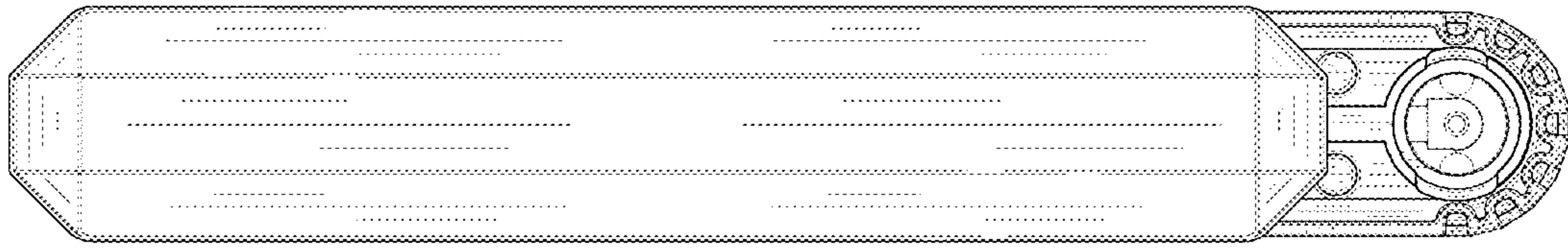


FIG. 5

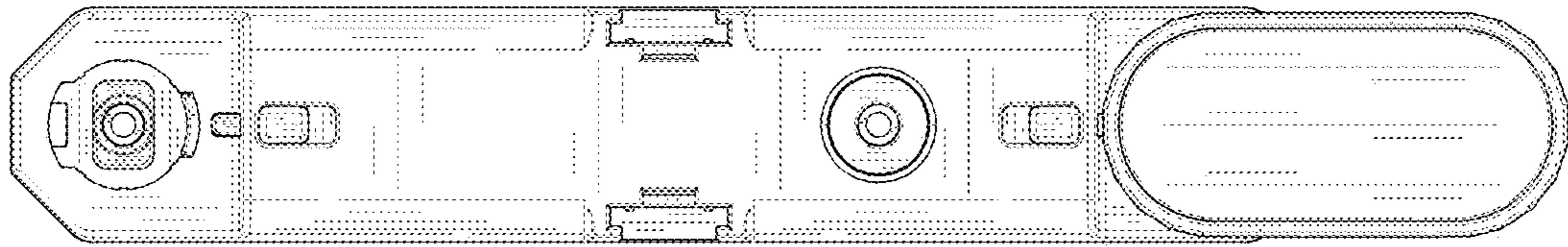


FIG. 6

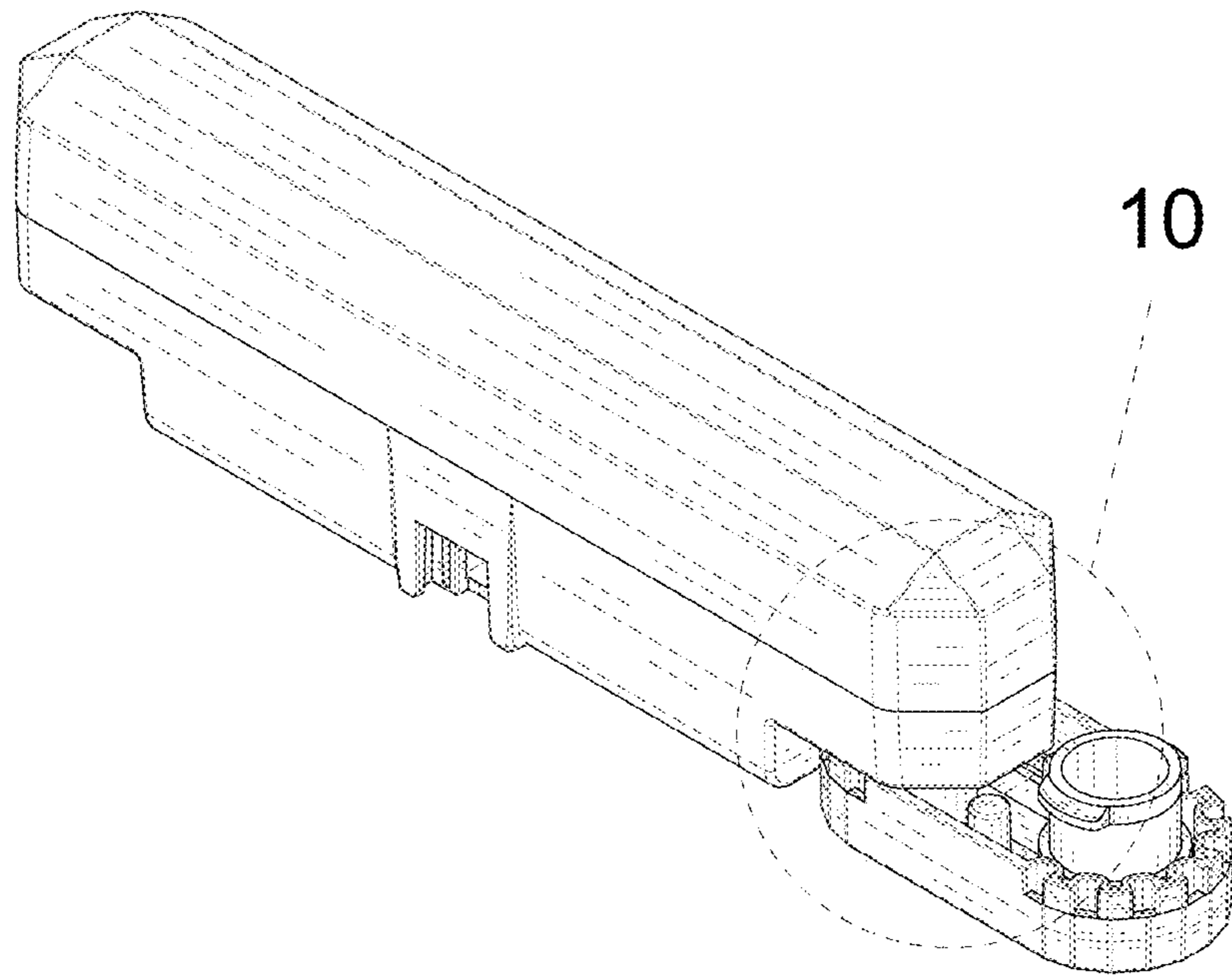


FIG. 7

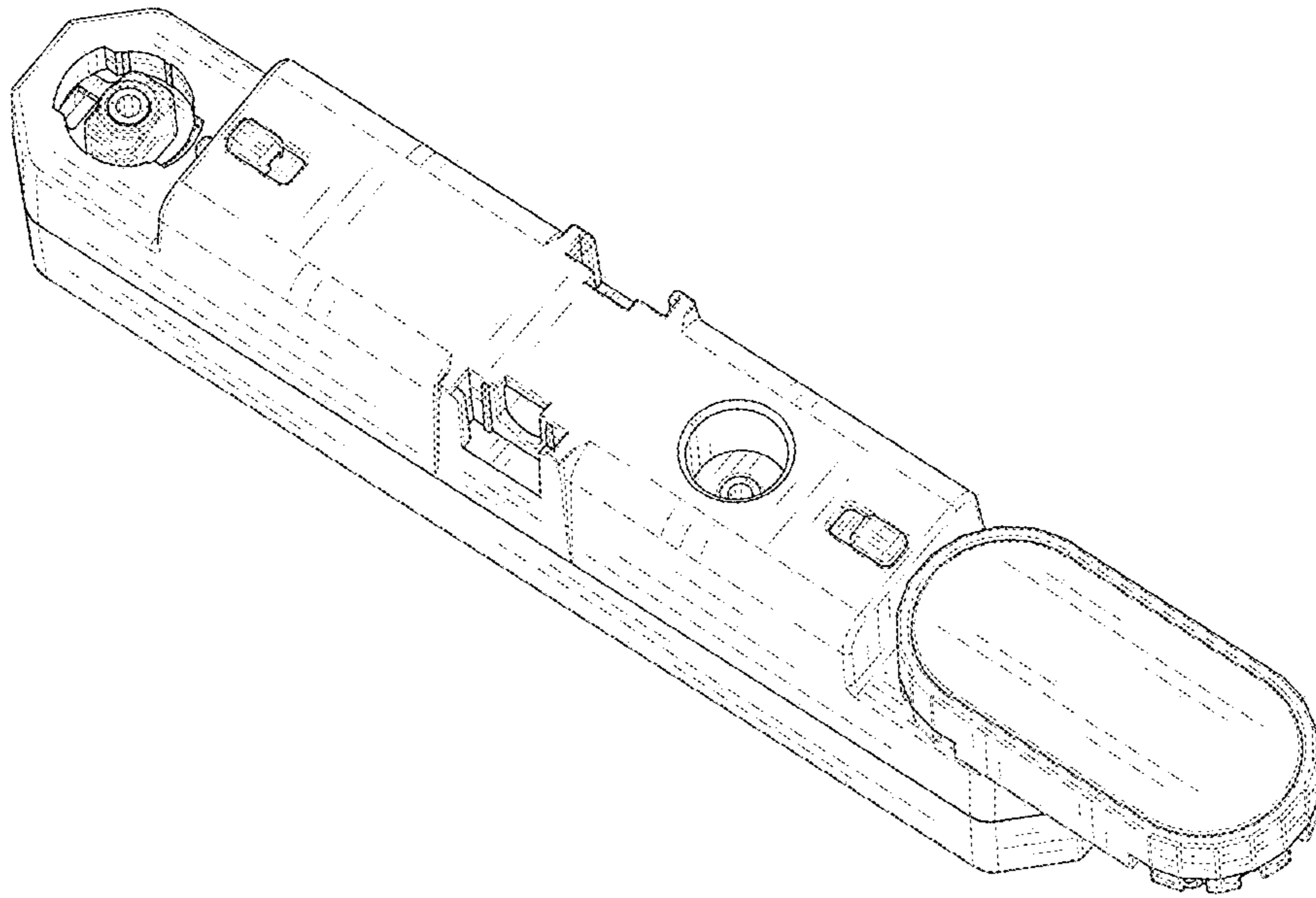


FIG. 8

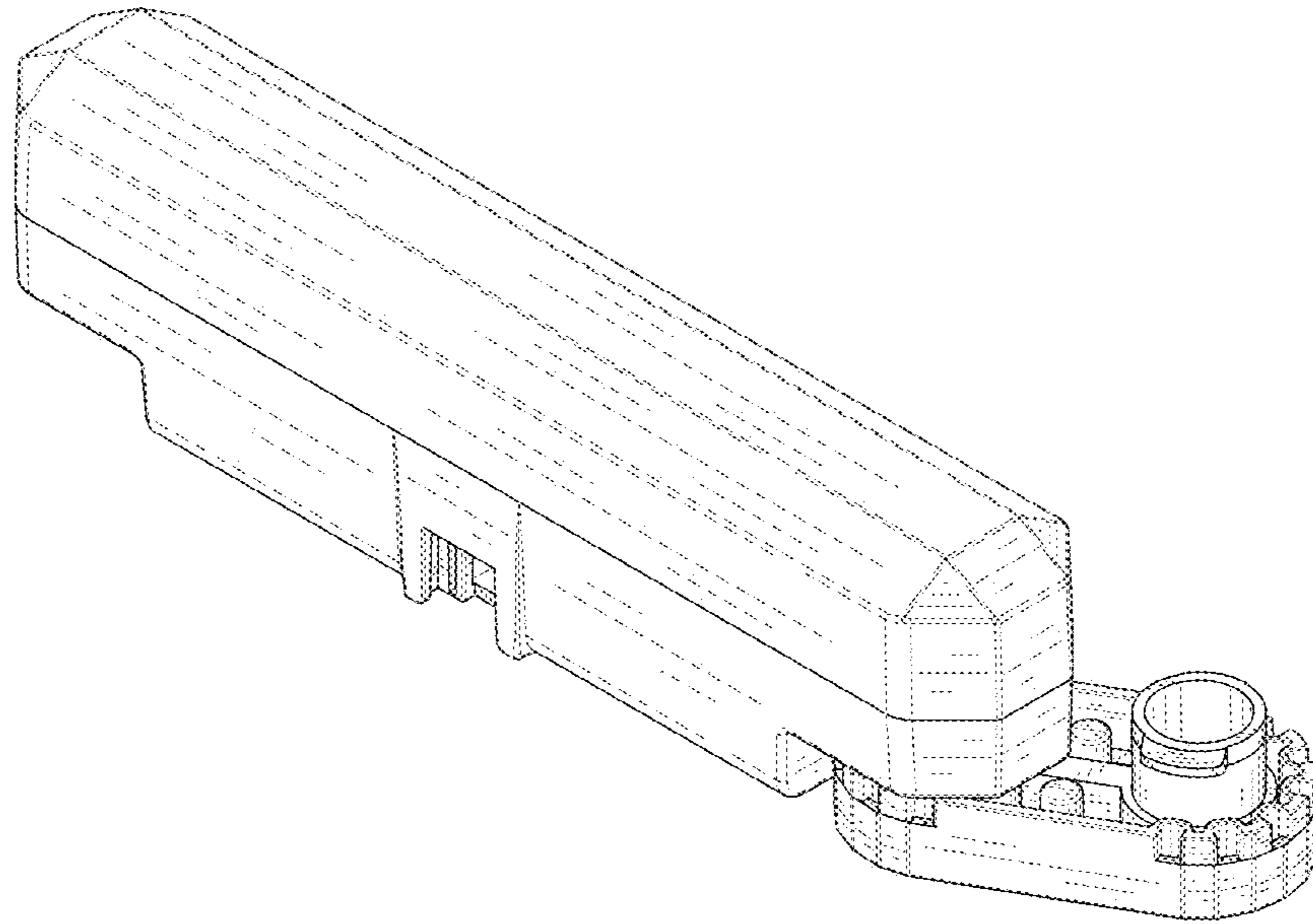


FIG. 9

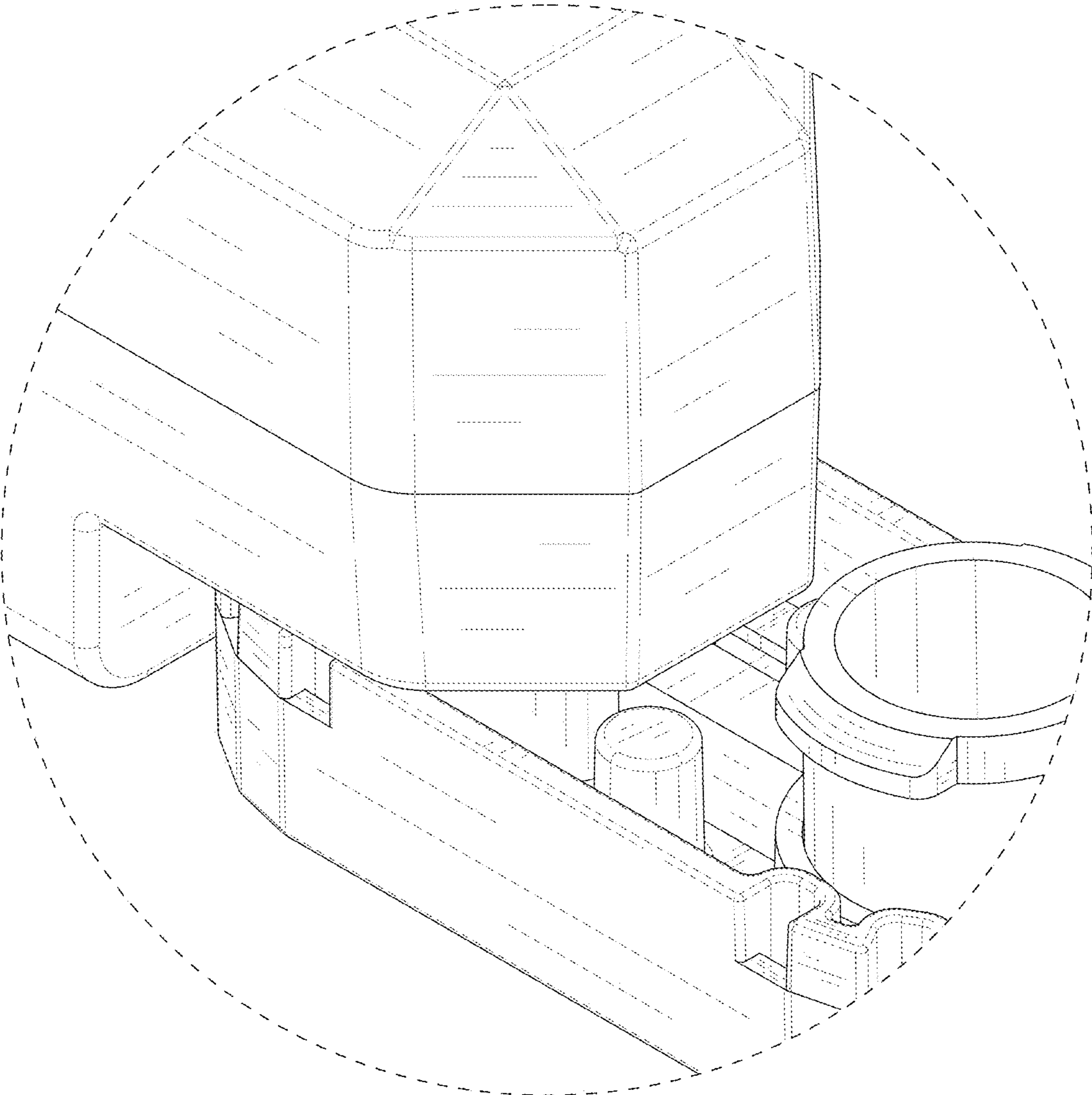


FIG. 10