



US00D984701S

(12) **United States Design Patent**
Yu

(10) **Patent No.:** **US D984,701 S**

(45) **Date of Patent:** **** Apr. 25, 2023**

(54) **RECHARGEABLE SPOTLIGHT**

(71) Applicant: **Jiaxiu Yu**, Guigang (CN)

(72) Inventor: **Jiaxiu Yu**, Guigang (CN)

(**) Term: **15 Years**

(21) Appl. No.: **29/836,862**

(22) Filed: **Apr. 29, 2022**

(51) **LOC (14) Cl.** **26-02**

(52) **U.S. Cl.**
USPC **D26/45**

(58) **Field of Classification Search**
USPC D26/37-52; D10/111-115
CPC . F21L 2001/00; F21L 4/02; F21L 4/04; F21L
4/005; F21L 4/022; F21L 4/045; F21L
4/085; F21L 21/00; F21L 14/02; F21L
14/023

See application file for complete search history.

(56) **References Cited**

U.S. PATENT DOCUMENTS

D245,282 S *	8/1977	Brinkmann	D26/45
5,911,497 A *	6/1999	Mele	F21L 2/00 362/202
6,056,414 A *	5/2000	Krieger	F21L 2/00 362/399
D431,662 S *	10/2000	Krieger	D26/45
D436,200 S *	1/2001	Cheong	D26/45
D477,681 S *	7/2003	Krieger	F21L 2/00 D26/45
D486,259 S *	2/2004	Crawford	D26/46
D491,303 S *	6/2004	Shen	D26/45
D504,533 S *	4/2005	Hussaini	D26/45
D504,969 S *	5/2005	Hussaini	D26/45
D525,735 S *	7/2006	Krieger	D26/45
D532,541 S *	11/2006	Krieger	D26/45
D549,375 S *	8/2007	Krieger	D26/45
D561,923 S *	2/2008	Hsu	D26/45

D565,767 S *	4/2008	Ben-Moshe	D26/45
D566,870 S	4/2008	Yuen		
D621,979 S *	8/2010	Hesse	D26/45

(Continued)

FOREIGN PATENT DOCUMENTS

CN	3407534	*	11/2004
CN	302222989	*	12/2012
CN	307074325	*	1/2022

OTHER PUBLICATIONS

“Mixilin Rechargeable Spotlight,” Oct. 8, 2021, amazon.com, site visited Nov. 29, 2022, URL: <https://www.amazon.com/dp/B09HZP8XJ9/> (Year: 2021).*

(Continued)

Primary Examiner — Lauren D McVey
Assistant Examiner — Sarah L Smith
(74) *Attorney, Agent, or Firm* — Jeenam Park

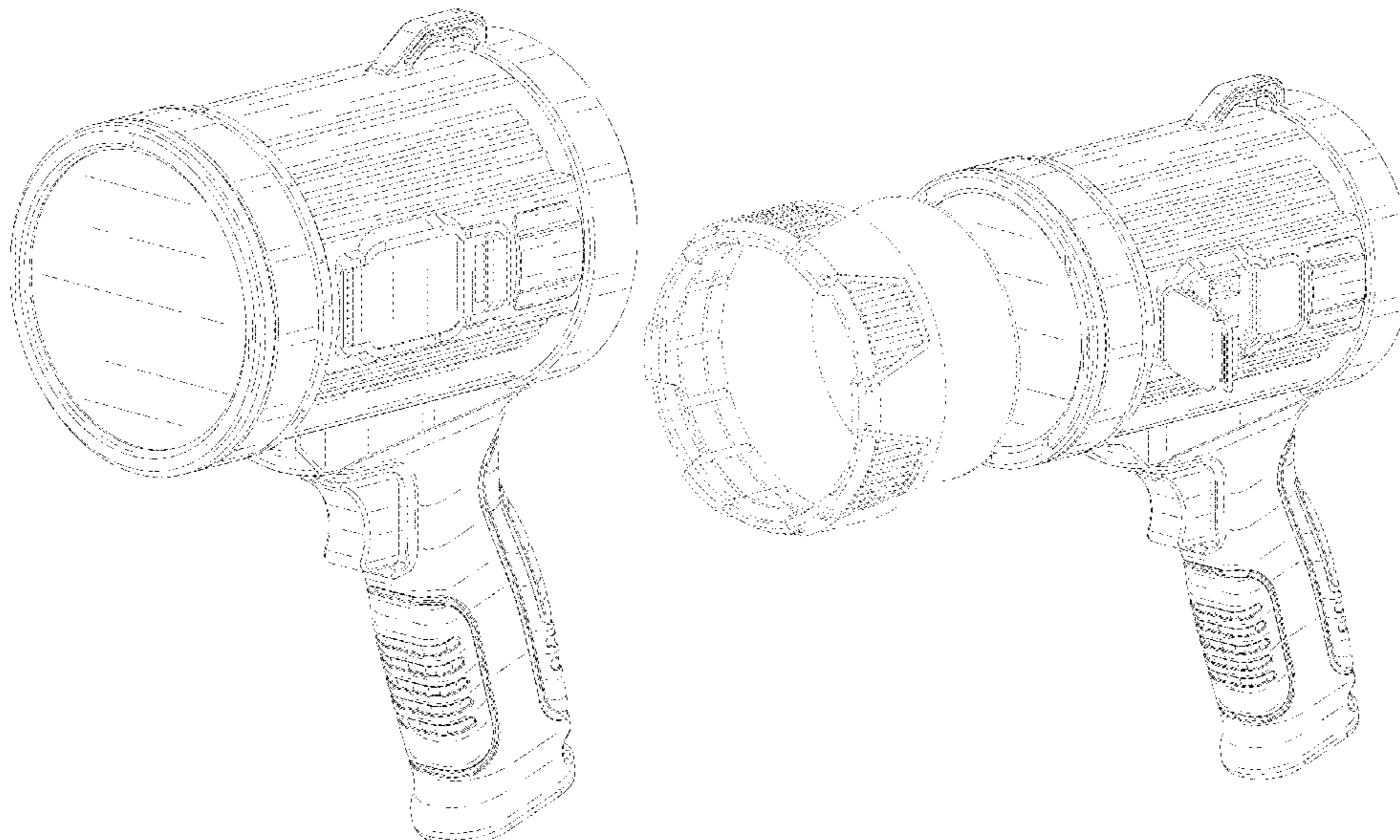
(57) **CLAIM**

The ornamental design for a rechargeable spotlight, as shown and described.

DESCRIPTION

FIG. 1 is a front perspective view of a rechargeable spotlight showing my new design;
FIG. 2 is a front perspective view shown in an open state thereof;
FIG. 3 is a rear perspective view thereof;
FIG. 4 is a left side view thereof;
FIG. 5 is a right side view thereof;
FIG. 6 is a front view thereof;
FIG. 7 is a rear view thereof;
FIG. 8 is a top plan view thereof; and,
FIG. 9 is a bottom plan view thereof.
The broken lines showing of the rechargeable spotlight are for the purpose of illustrating environment and portions of the article, and form no part of the claimed design.

1 Claim, 9 Drawing Sheets



(56)

References Cited

U.S. PATENT DOCUMENTS

D629,938	S	12/2010	Yuen	
D634,462	S *	3/2011	Baker D26/45
D649,273	S *	11/2011	Baker D26/45
D683,490	S *	5/2013	Lee D26/45
D718,481	S *	11/2014	Lee D26/45
D848,054	S *	5/2019	Zhan F21V 14/065
				D26/118
2015/0252983	A1 *	9/2015	Lee F21V 14/065
				362/109

OTHER PUBLICATIONS

“NJ Forever 90000 Lumens Spotlight,” Mar. 2, 2022, amazon.com, site visited Nov. 29, 2022, URL: <https://www.amazon.com/Spotlight-Rechargeable-Flashlight-Handheld-Included/dp/B09TR1PQDL/> (Year: 2022).*

* cited by examiner

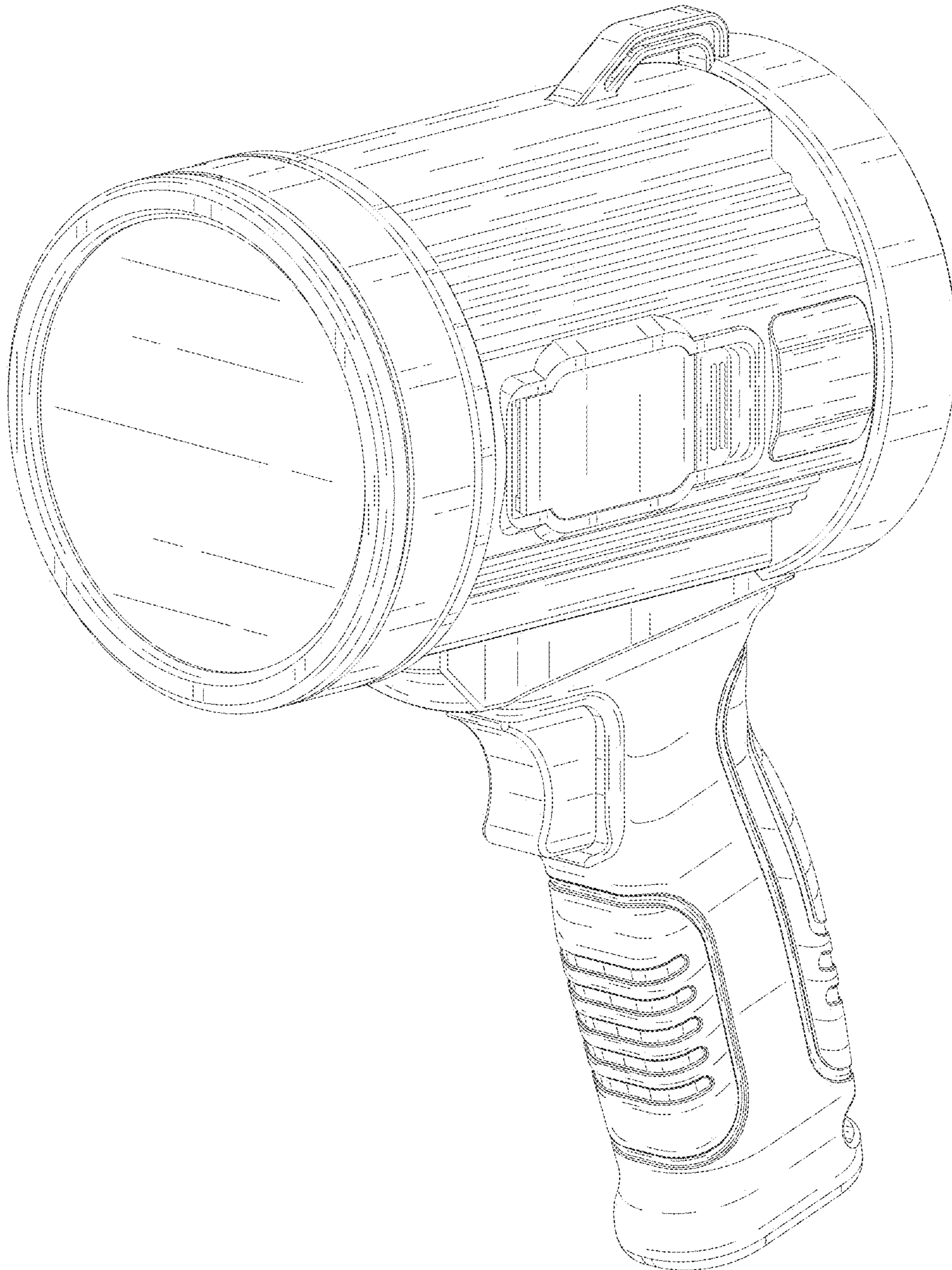


FIG. 1

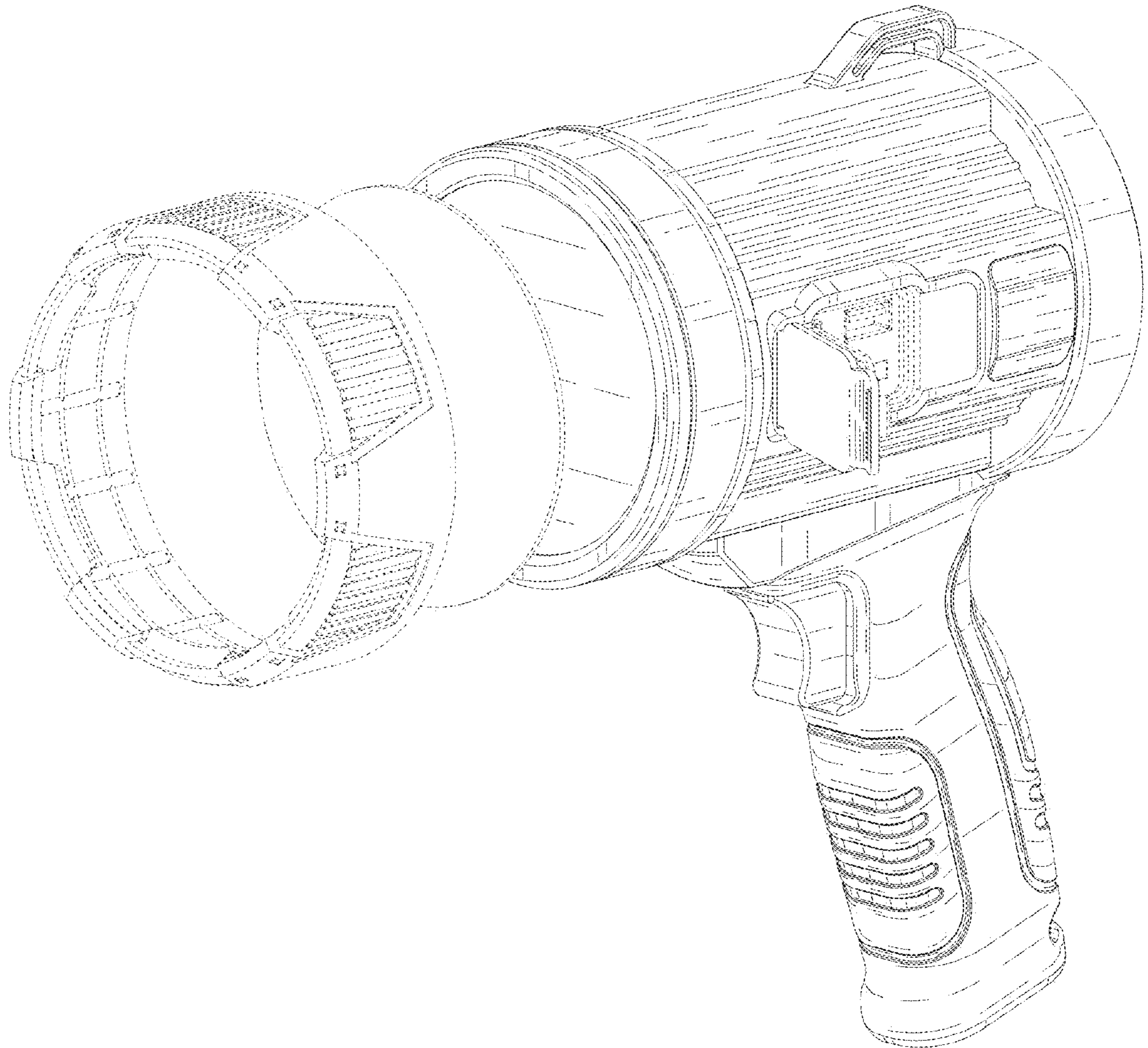


FIG. 2

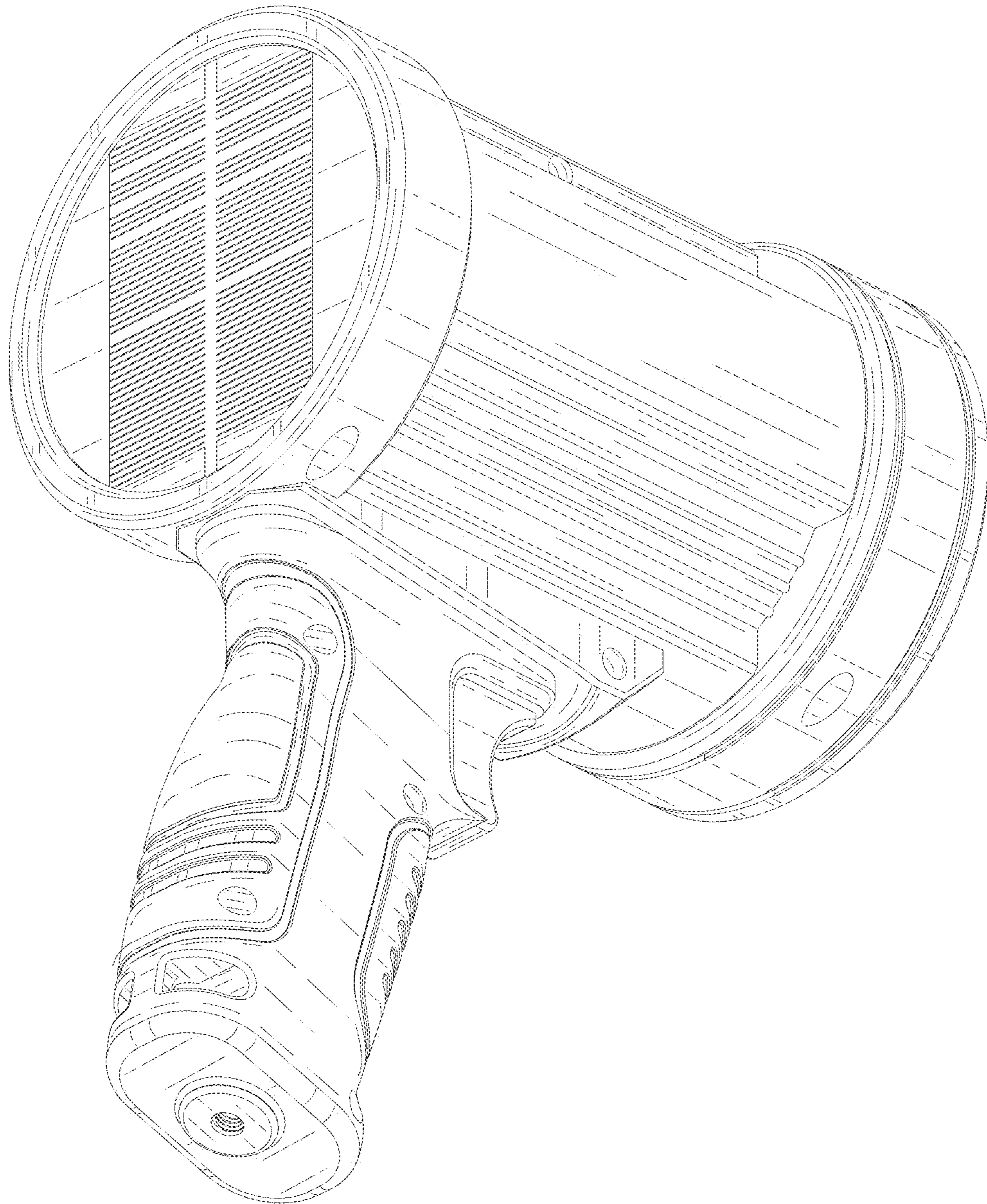


FIG. 3

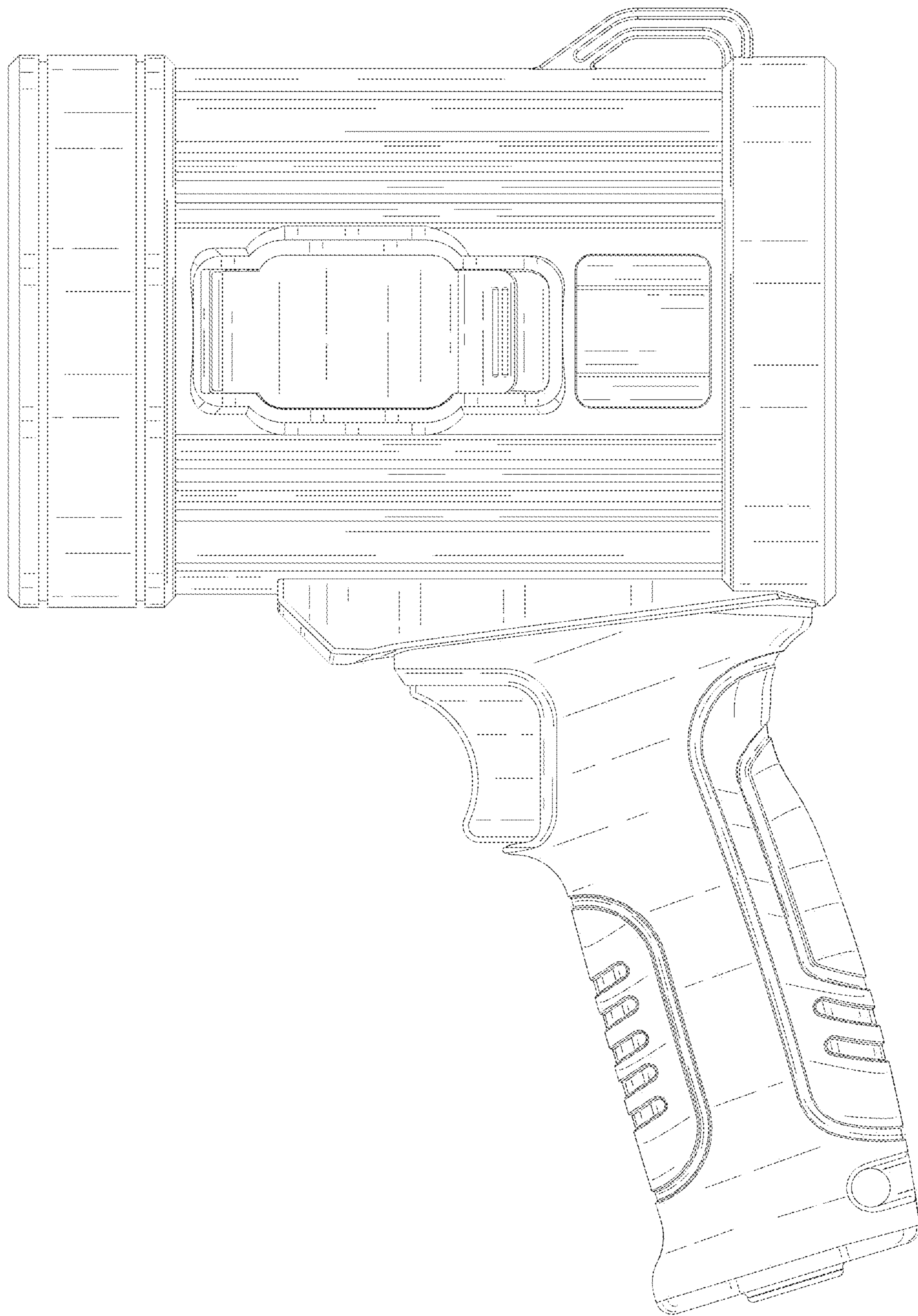


FIG. 4

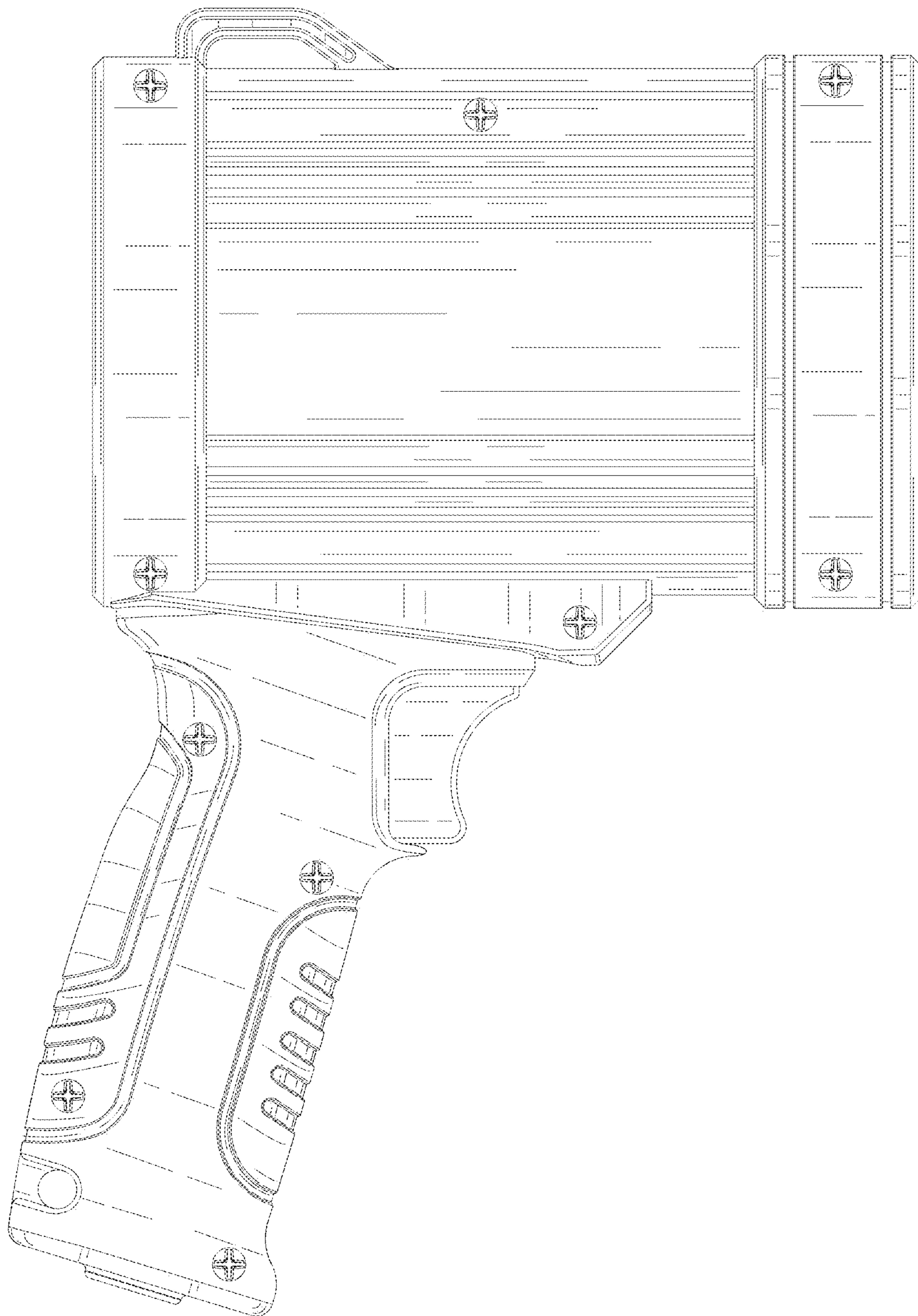


FIG. 5

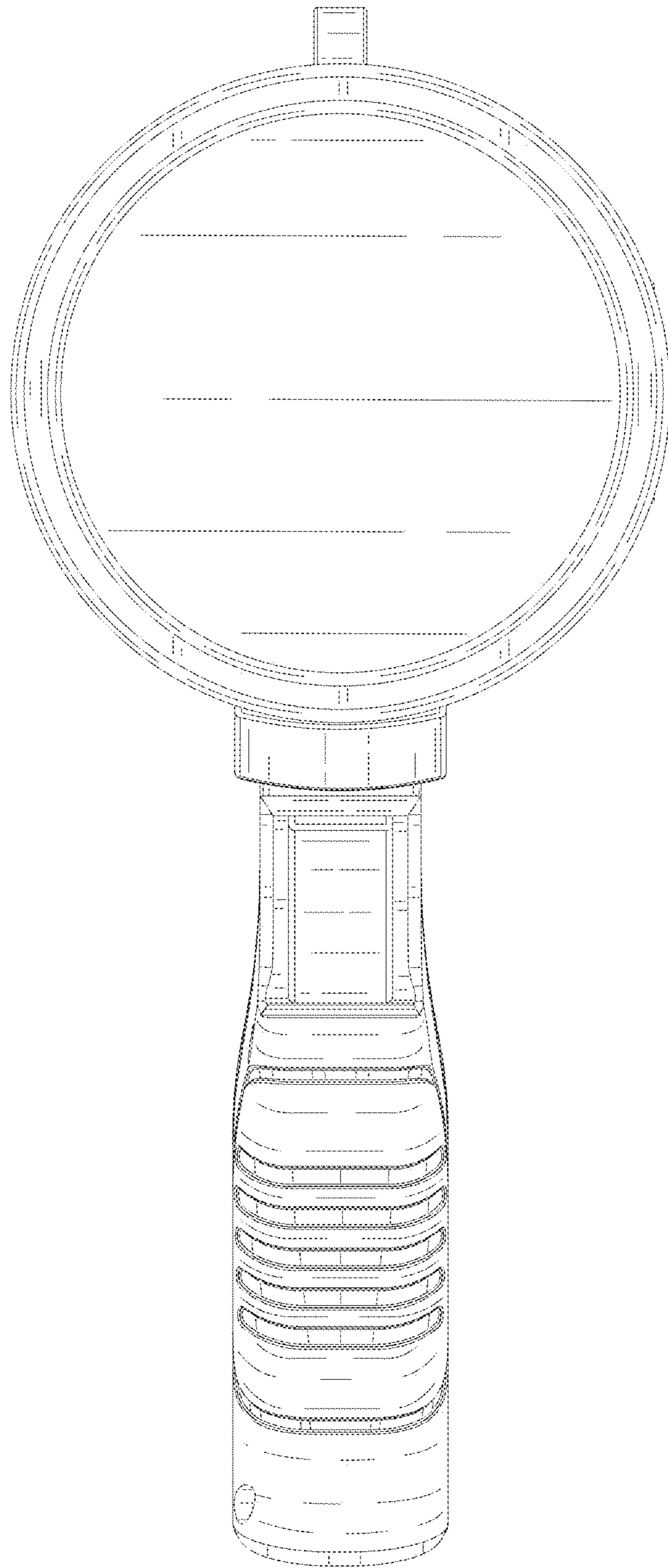


FIG. 6

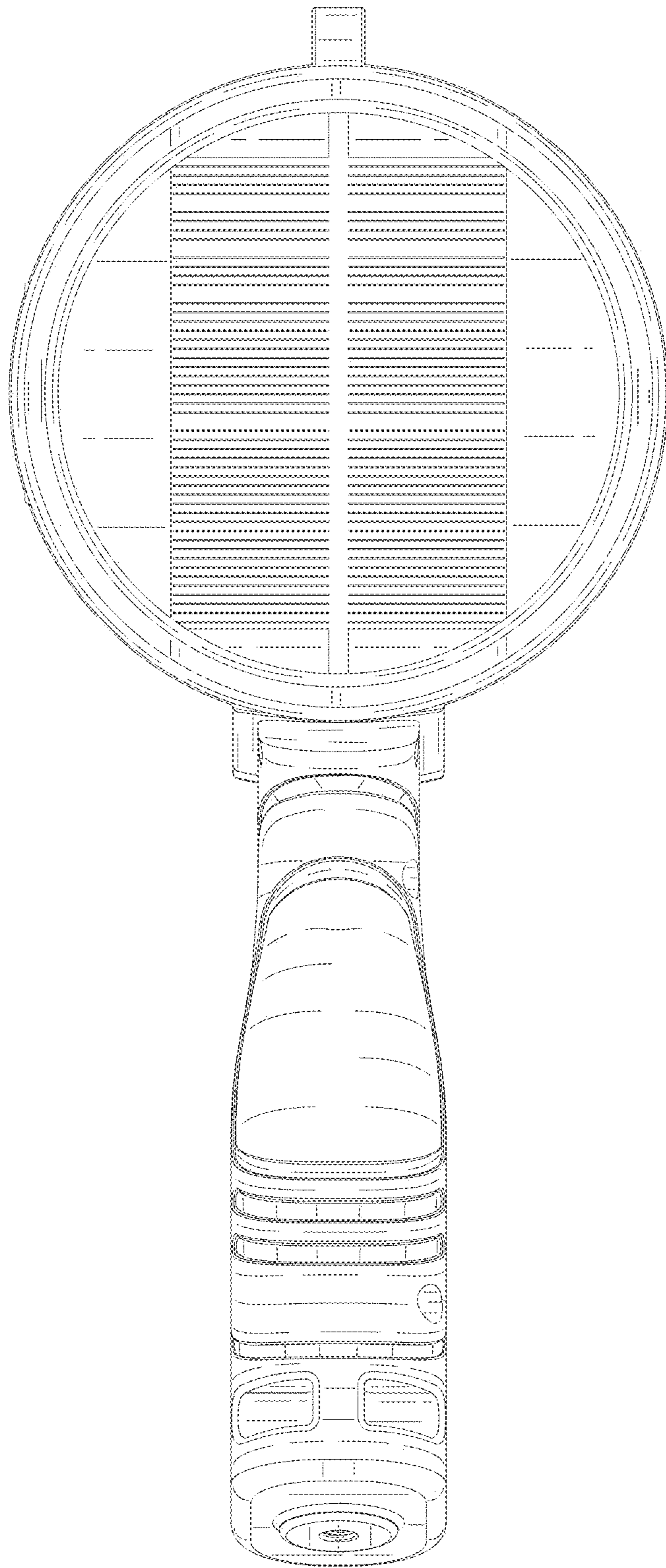


FIG. 7

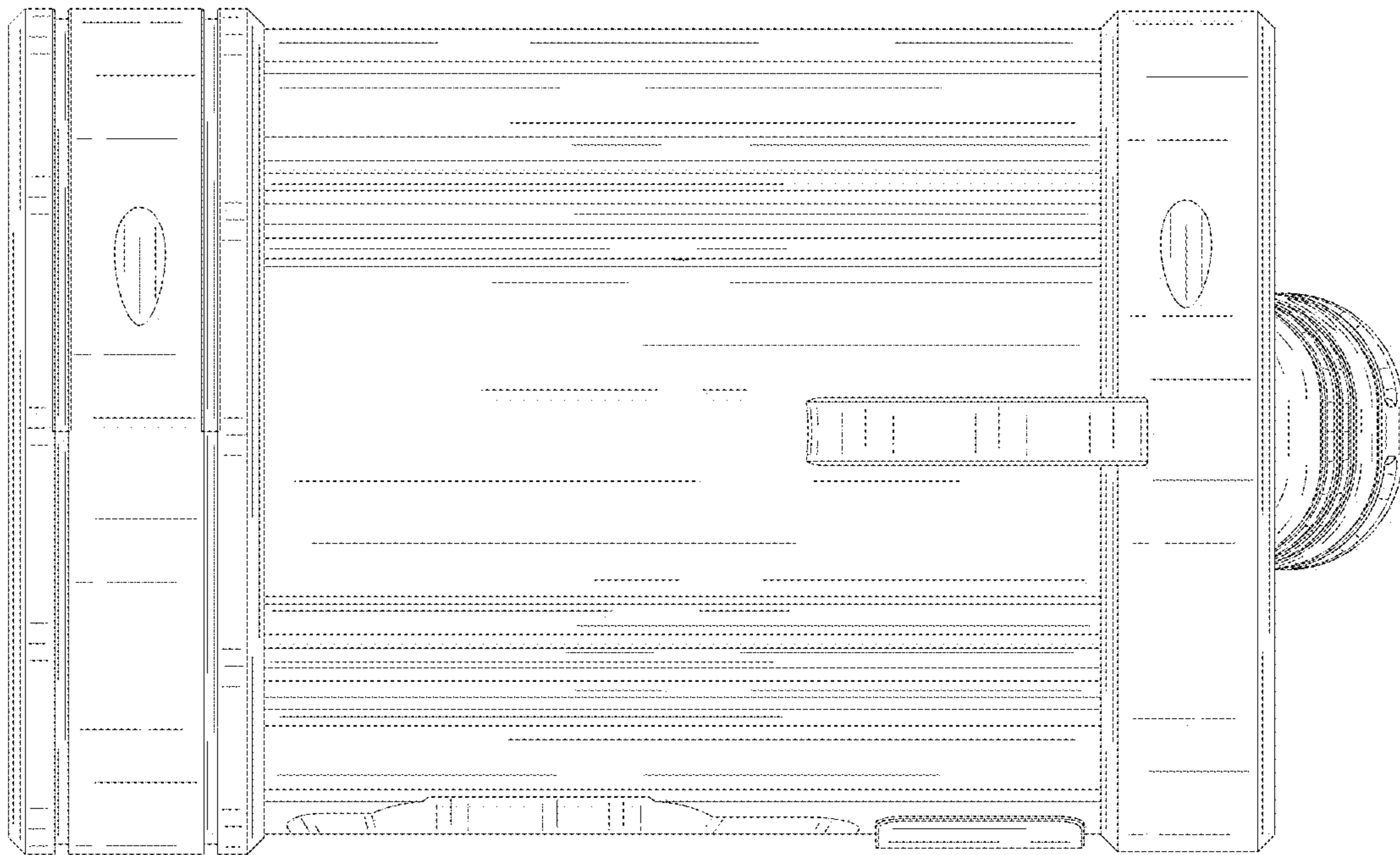


FIG. 8

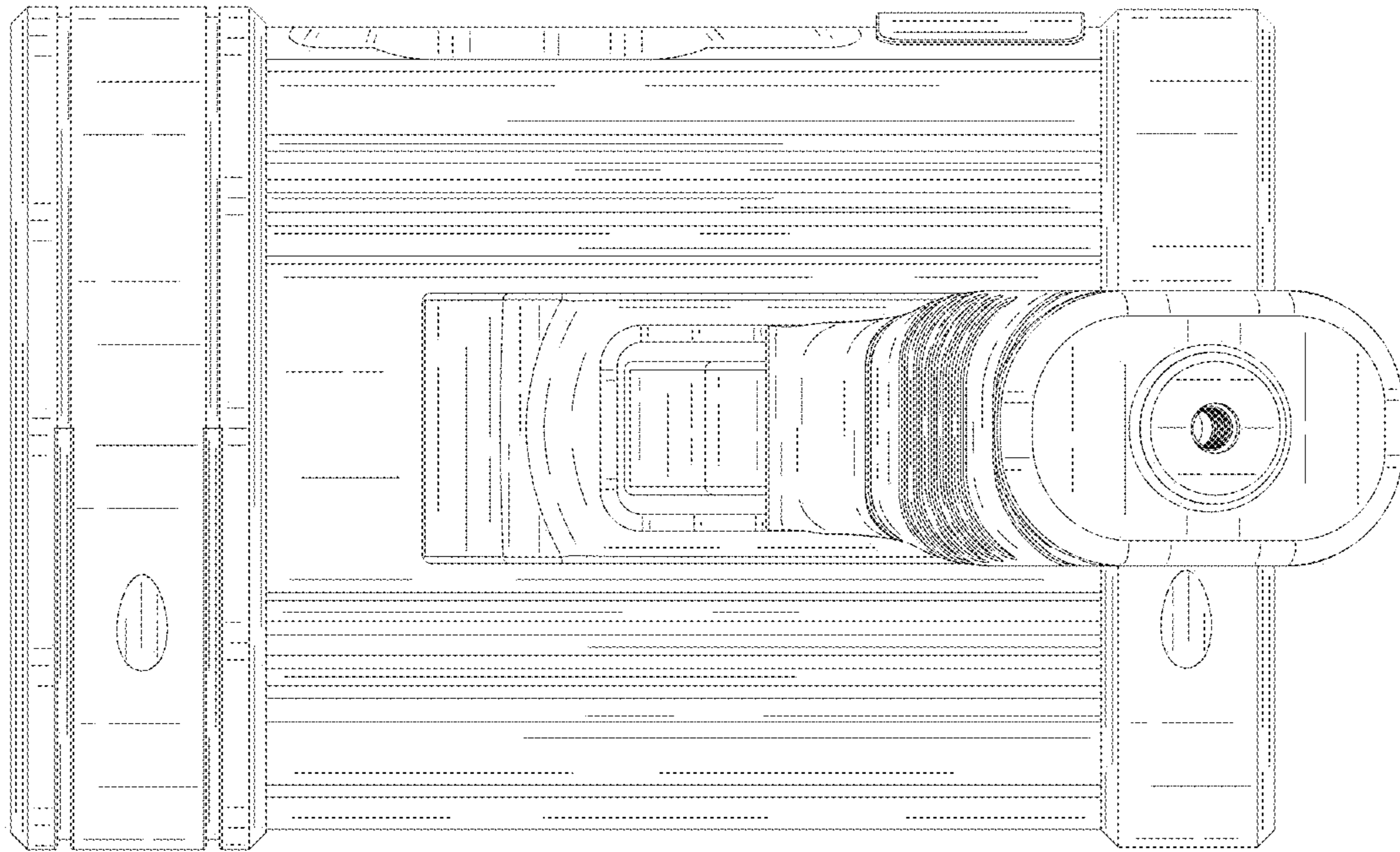


FIG. 9