



US00D984699S

(12) **United States Design Patent** (10) **Patent No.:** **US D984,699 S**
Yang (45) **Date of Patent:** **** Apr. 25, 2023**

(54) **WORK LIGHT**

(71) Applicant: **Shenzhen Sanmeisen Technology Co., Ltd.**, Shenzhen (CN)

(72) Inventor: **Chunyi Yang**, Shenzhen (CN)

(**) Term: **15 Years**

(21) Appl. No.: **29/821,976**

(22) Filed: **Jan. 5, 2022**

(51) **LOC (14) Cl.** **26-02**

(52) **U.S. Cl.**
USPC **D26/37**; D26/63

(58) **Field of Classification Search**
USPC D26/24, 37-52, 60-65, 93, 104-108, 113
CPC F21Y 2115/10; F21Y 2103/10; F21Y 2101/00; F21Y 2113/00; F21V 21/08; F21V 21/06; F21V 21/406; F21V 21/0965; F21V 21/30; F21V 21/0885; F21V 27/005; F21V 21/145; F21V 23/0414; F21V 15/01; F21V 14/025; F21L 4/00; F21L 4/08; F21L 4/04; F21L 14/02; F21L 4/027; F21W 2111/10
See application file for complete search history.

(56) **References Cited**

U.S. PATENT DOCUMENTS

D549,859 S *	8/2007	Kovacik	D26/37
D695,434 S *	12/2013	Shen	D26/41
8,939,601 B1 *	1/2015	Lee	F21V 17/02 362/198
D772,460 S	11/2016	Saboo	
D776,321 S *	1/2017	Saboo	D26/63
D776,322 S	1/2017	Saboo	
D779,097 S *	2/2017	Xu	D26/63
D808,561 S	1/2018	Goltche	
D834,232 S	11/2018	Green	
D842,520 S *	3/2019	Brandrup	D26/63
D844,207 S	3/2019	Zhang	
D866,027 S *	11/2019	Cacciabeve	D26/37
D875,285 S *	2/2020	Prieto	D26/37

D877,948 S *	3/2020	Thompson	D26/37
D882,837 S *	4/2020	Singh	D26/37
D890,395 S *	7/2020	Bertken	D26/37
D892,378 S	8/2020	Windom	
D896,425 S *	9/2020	Saboo	D26/65
D897,021 S	9/2020	Miyawaki	
D904,662 S	12/2020	Bao	
D907,831 S *	1/2021	Gu	D26/63
D918,448 S *	5/2021	Liu	D26/41
D928,375 S *	8/2021	Mao	D26/63

(Continued)

OTHER PUBLICATIONS

3000 Lumen Work Light. By Samyoung. Dated Aug. 4, 2021. Found online [Aug. 24, 2022]. <https://www.amazon.com/Samyoung-Rechargeable-Waterproof-Emergency-Repairing/dp/B09BVJLG9K> (Year: 2021).*

Primary Examiner — Mark A Goodwin
Assistant Examiner — William B Melliar
(74) *Attorney, Agent, or Firm* — Rumit Ranjit Kanakia

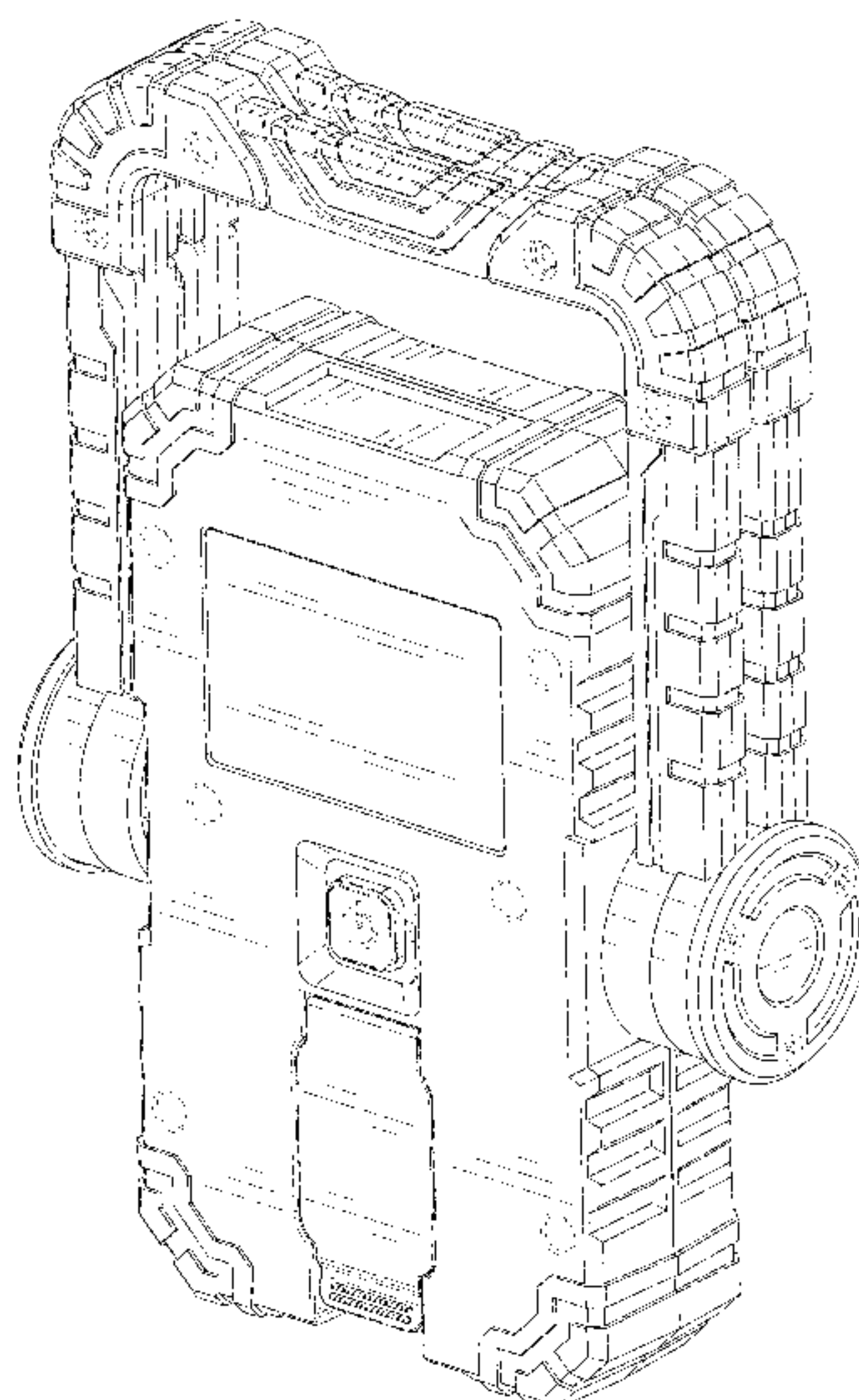
(57) **CLAIM**

The ornamental design for a work light, as shown and described.

DESCRIPTION

FIG. 1 is a perspective view of a work light showing my new design;
FIG. 2 is another perspective view thereof;
FIG. 3 is a front elevational view thereof;
FIG. 4 is a rear elevational view thereof;
FIG. 5 is a left side view thereof;
FIG. 6 is a right side view thereof;
FIG. 7 is a top plan view thereof; and,
FIG. 8 is a bottom plan view thereof.
The broken lines in the figures are for the purposes of illustrating portions of the work light, which form no part of the claimed design.

1 Claim, 8 Drawing Sheets



(56)

References Cited

U.S. PATENT DOCUMENTS

D929,004 S * 8/2021 Qiu D26/37
D951,507 S * 5/2022 Eichelberger D26/44

* cited by examiner

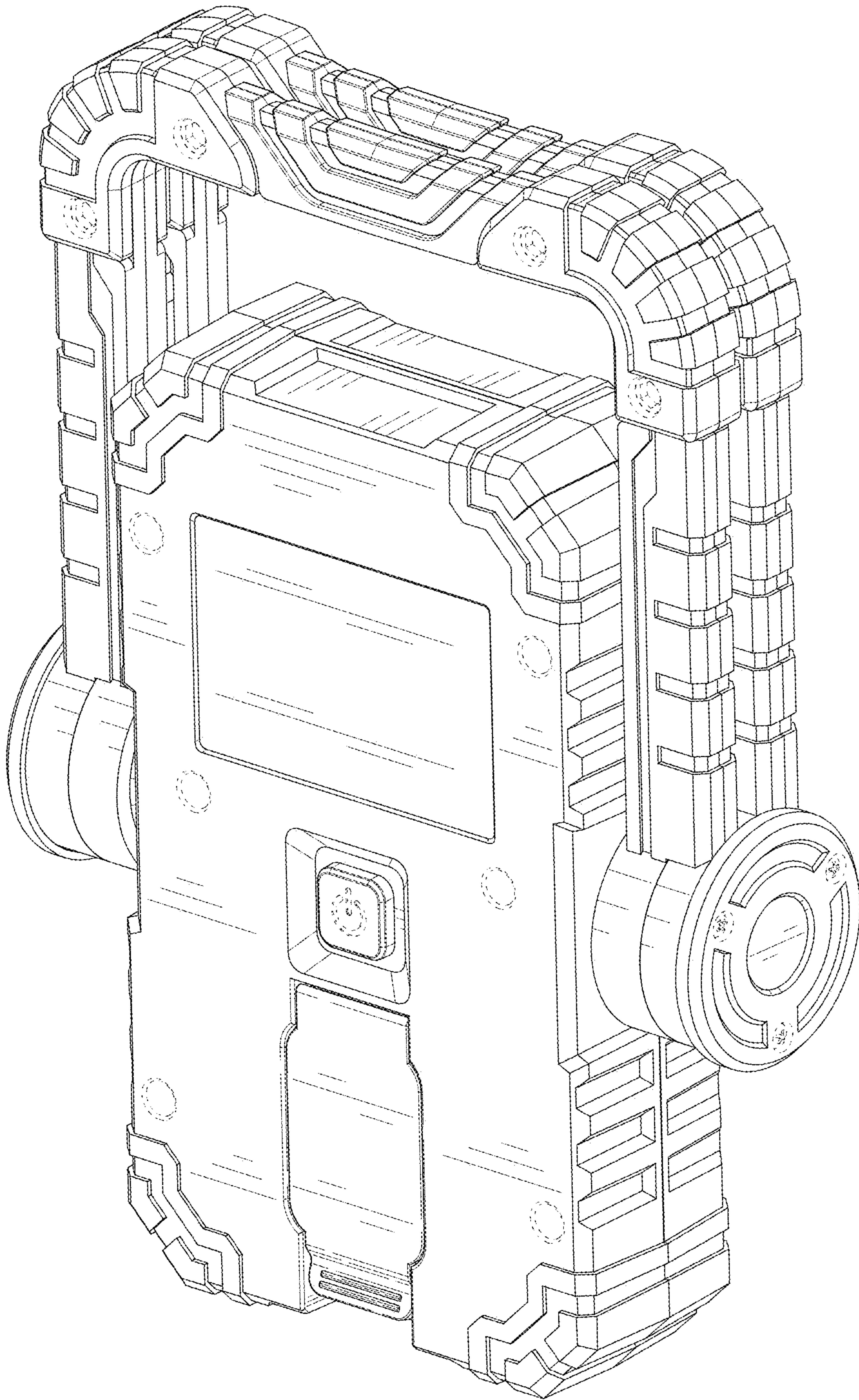


FIG. 1

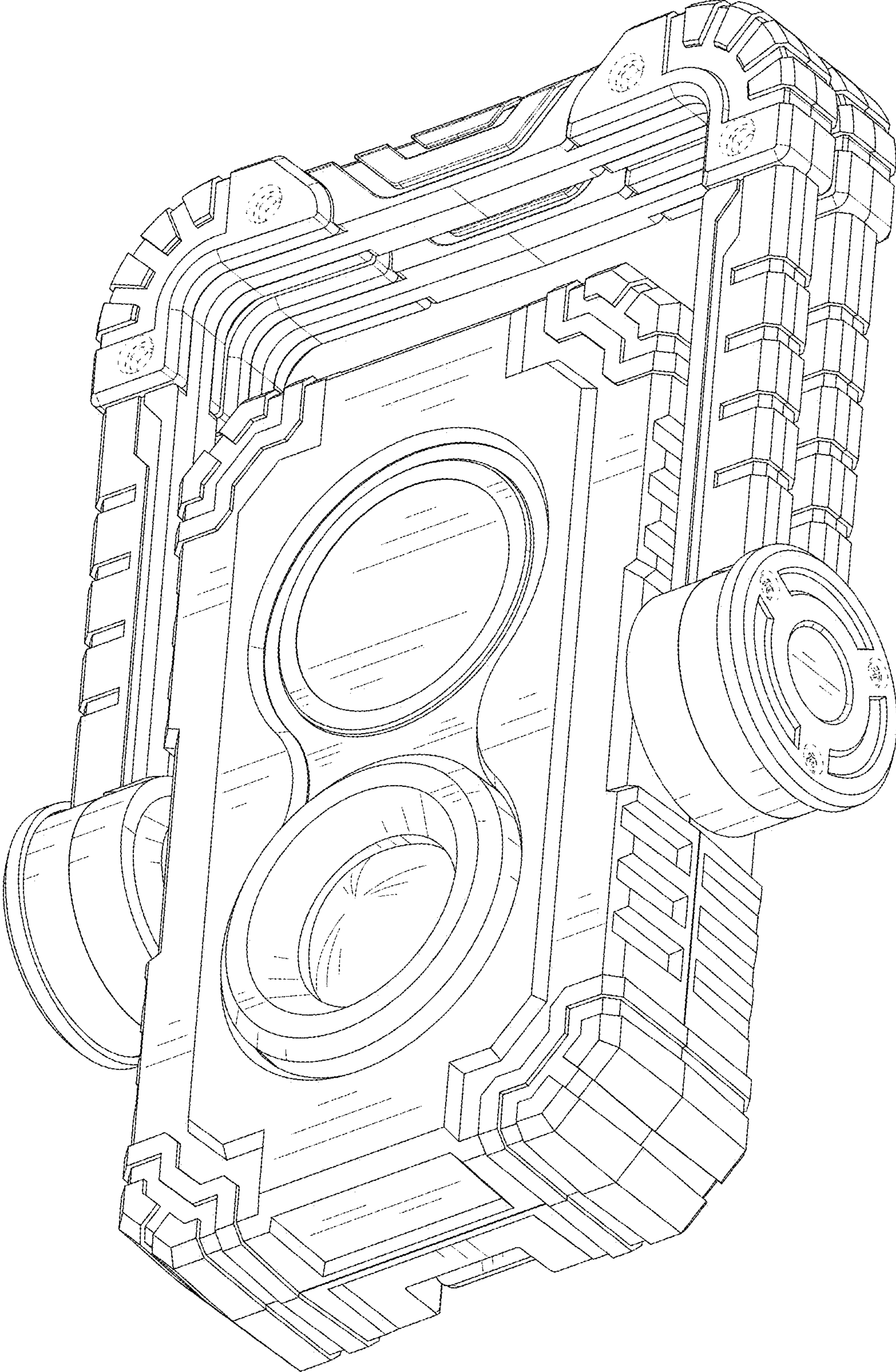


FIG. 2

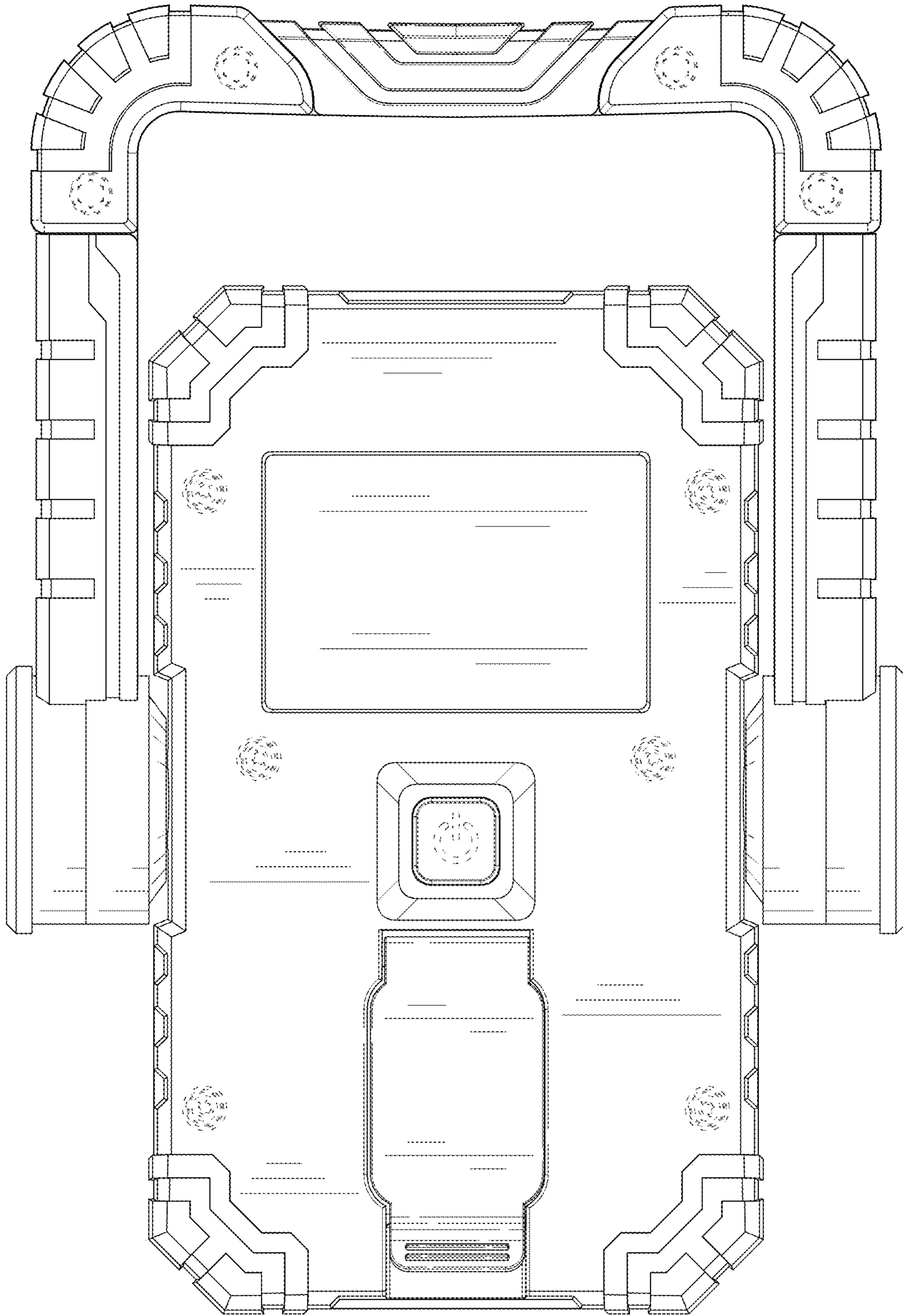


FIG. 3

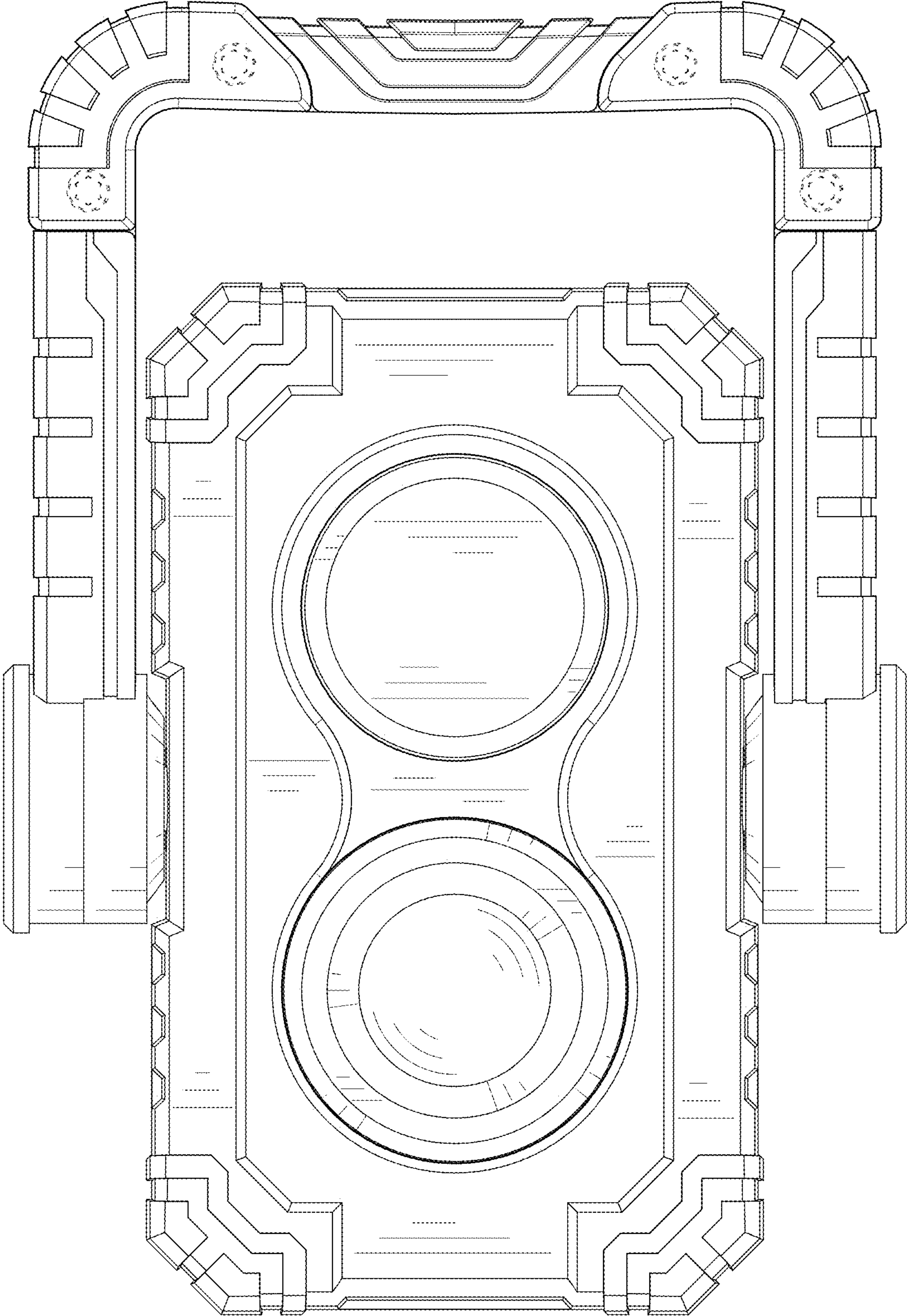


FIG. 4

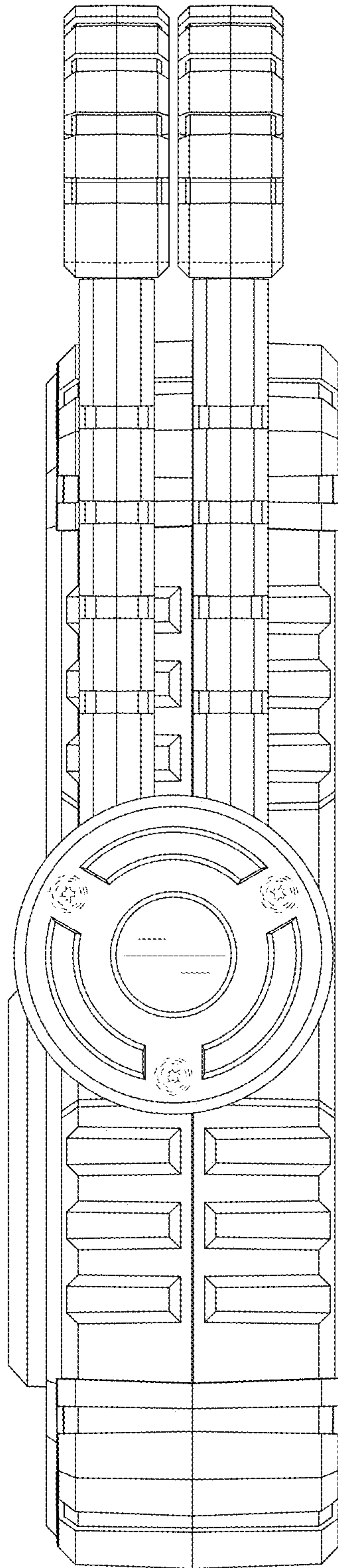


FIG. 5

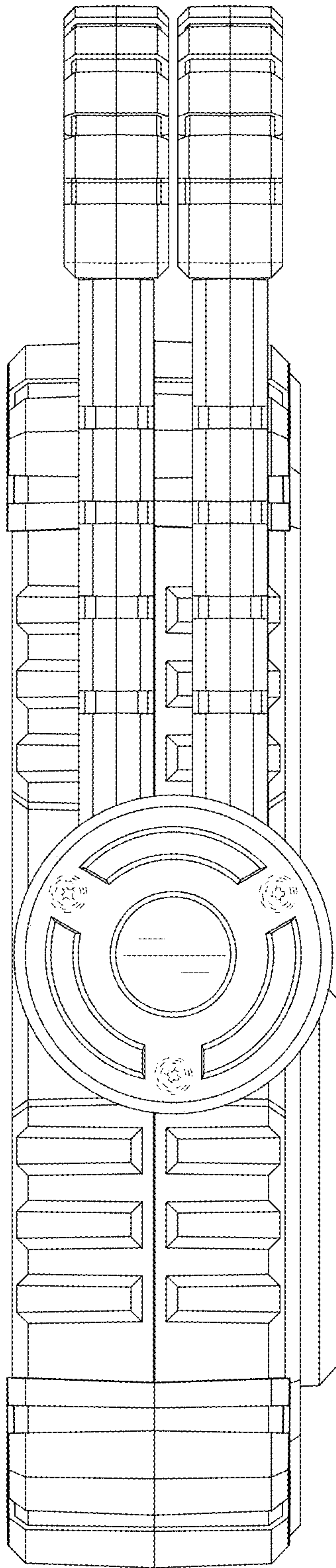


FIG. 6

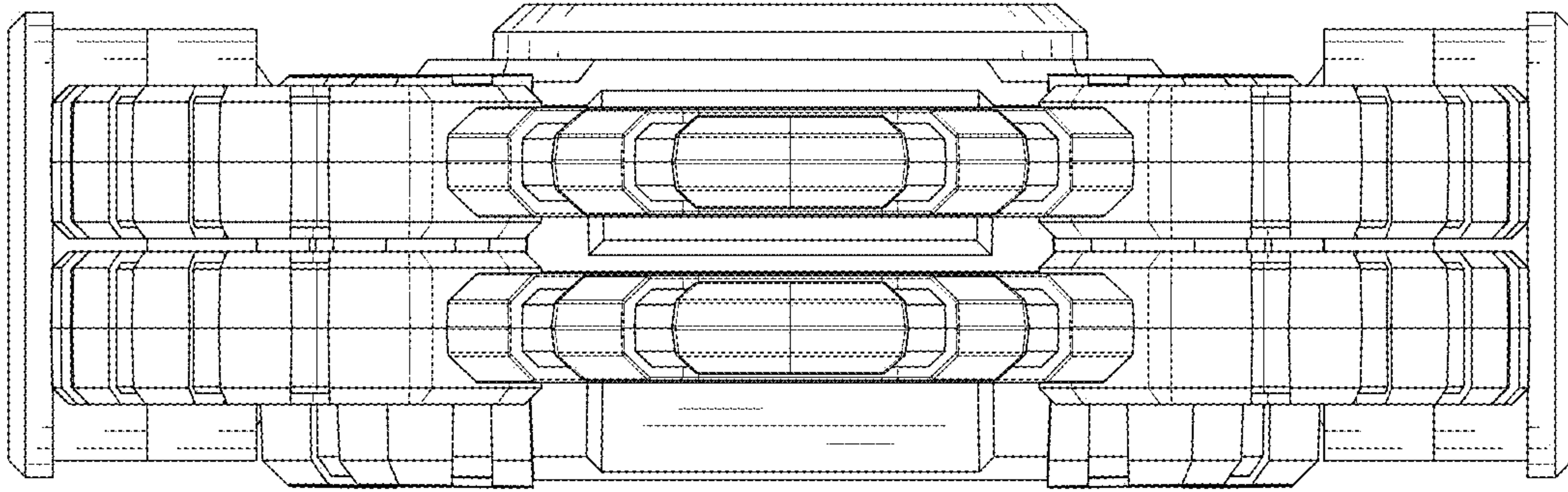


FIG. 7

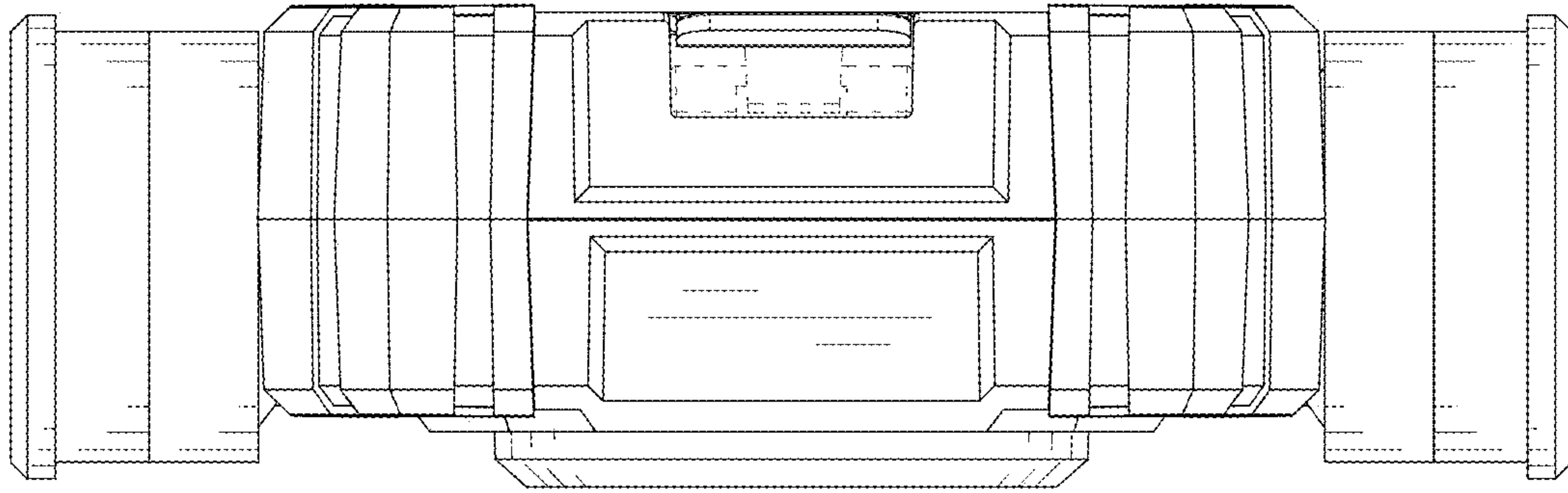


FIG. 8