



US00D984691S

(12) **United States Design Patent**
Liang

(10) **Patent No.:** **US D984,691 S**

(45) **Date of Patent:** **** Apr. 25, 2023**

(54) **LIGHT STRING**

(71) Applicant: **Zhiqian Liang**, Foshan (CN)

(72) Inventor: **Zhiqian Liang**, Foshan (CN)

(**) Term: **15 Years**

(21) Appl. No.: **29/883,181**

(22) Filed: **Jan. 25, 2023**

(51) **LOC (14) Cl.** **26-04**

(52) **U.S. Cl.**
USPC **D26/25**

(58) **Field of Classification Search**
USPC D26/2, 25, 72, 78, 80, 88, 118, 121, 138,
D26/140, 141, 142, 152, 154
CPC F21S 2/00; F21S 4/00; F21S 4/003; F21S
4/005; F21S 4/006; F21S 4/007; F21S
4/008; F21S 6/00; F21S 8/00; F21S
8/024; F21S 8/026; F21S 8/031; F21S
8/033; F21S 8/035-037; F21S 8/04; F21S
8/043; F21S 8/063

See application file for complete search history.

(56) **References Cited**

U.S. PATENT DOCUMENTS

D280,238 S *	8/1985	Hermanson	D26/2
D547,887 S *	7/2007	Titmarsh	D26/25
7,273,294 B2 *	9/2007	Kao	F21S 9/032 362/396
D816,874 S *	5/2018	Lentz	D26/25
D869,012 S *	12/2019	Zhu	D26/25
D869,013 S *	12/2019	Zhu	D26/25
D915,643 S *	4/2021	Liang	D26/25
D916,333 S *	4/2021	Liang	D26/25
D919,127 S *	5/2021	Zhou	D26/4
D919,132 S *	5/2021	Du	D26/25

D938,073 S *	12/2021	Ruan	D26/25
D940,920 S *	1/2022	Jin	D26/4
D947,422 S *	3/2022	Hu	D26/25
D950,112 S *	4/2022	Zheng	D26/25
D951,494 S *	5/2022	Liu	D26/24
D960,404 S	8/2022	Wang		
D962,498 S	8/2022	Zhou		
D967,471 S	10/2022	Xiao		
D968,660 S *	11/2022	Li	D26/25
D968,661 S *	11/2022	Liu	D26/25
D977,156 S *	1/2023	Shang	D26/25
2014/0126219 A1 *	5/2014	Fan	F21V 3/00 362/311.13

* cited by examiner

Primary Examiner — Natasha Vujcic

(74) *Attorney, Agent, or Firm* — Rumit Ranjit Kanakia

(57) **CLAIM**

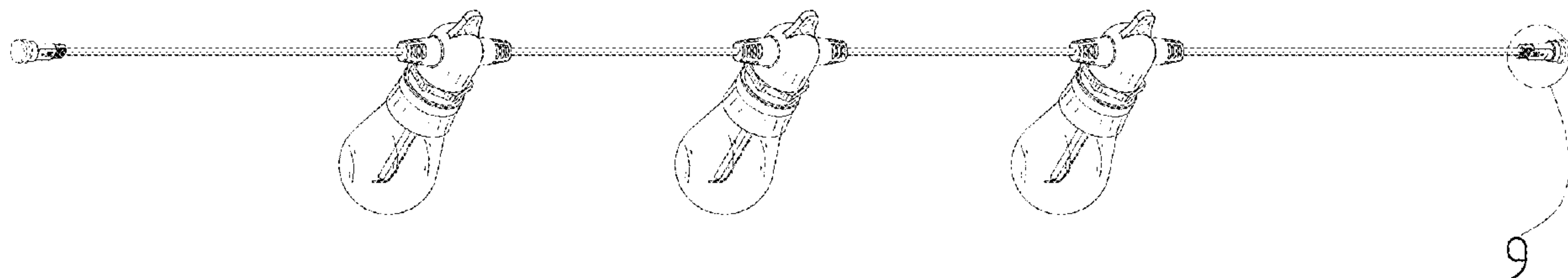
The ornamental design for a light string, as shown and described.

DESCRIPTION

FIG. 1 is a first perspective view of a light string showing my new design;
FIG. 2 is a second perspective view thereof;
FIG. 3 is a front view thereof;
FIG. 4 is a back view thereof;
FIG. 5 is a left side view thereof;
FIG. 6 is a right side view thereof;
FIG. 7 is a top view thereof;
FIG. 8 is a bottom view thereof; and,
FIG. 9 is an enlarged view of the selected portion 9 in FIG. 1.

The broken lines shown in the drawings depict portions of the light string that form no part of the claimed design.

1 Claim, 9 Drawing Sheets



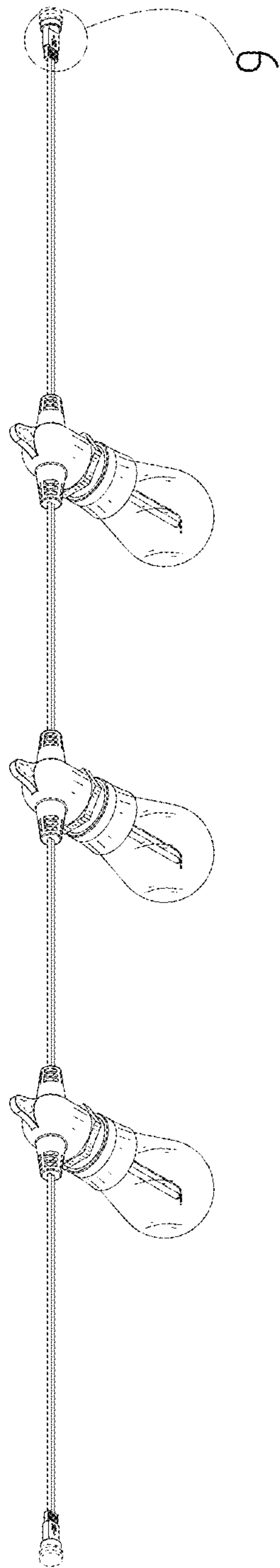


FIG. 1

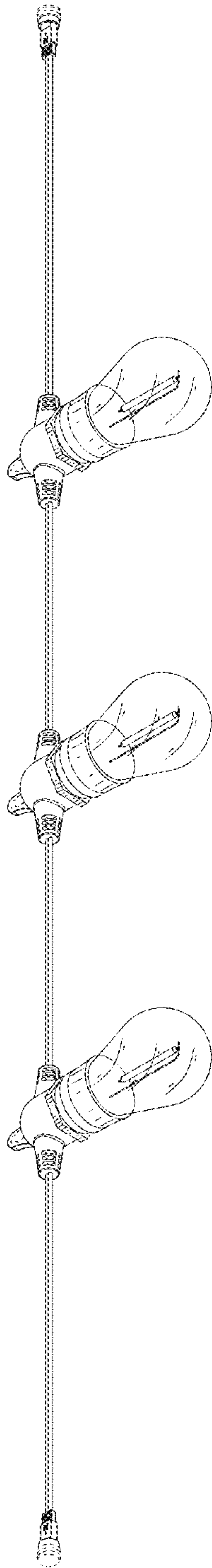


FIG. 2

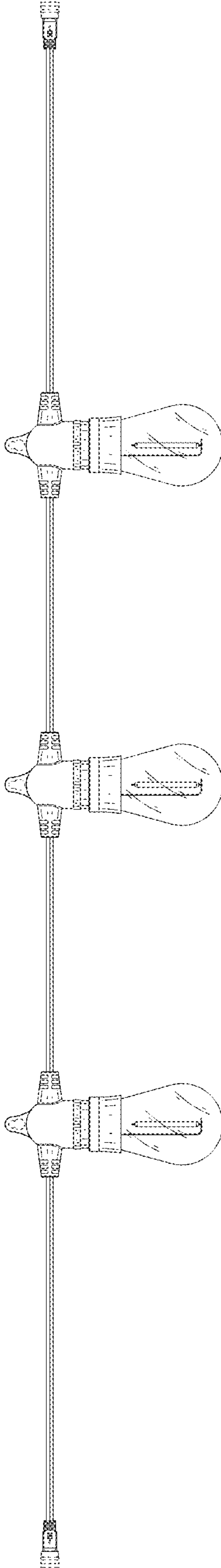


FIG. 3

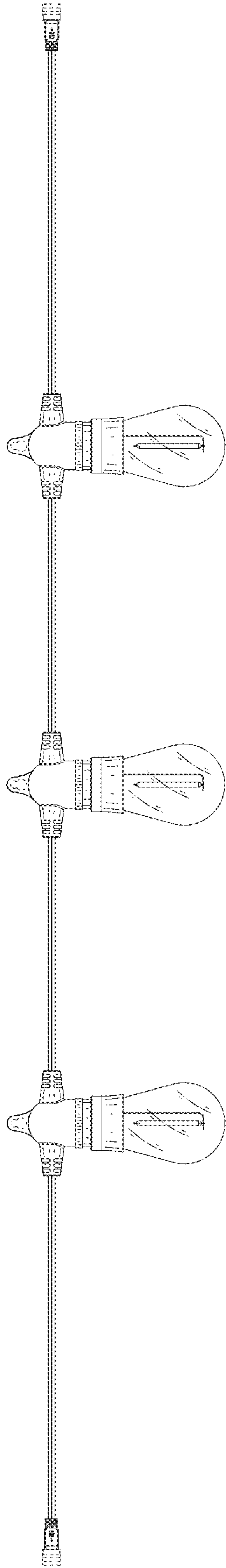


FIG. 4

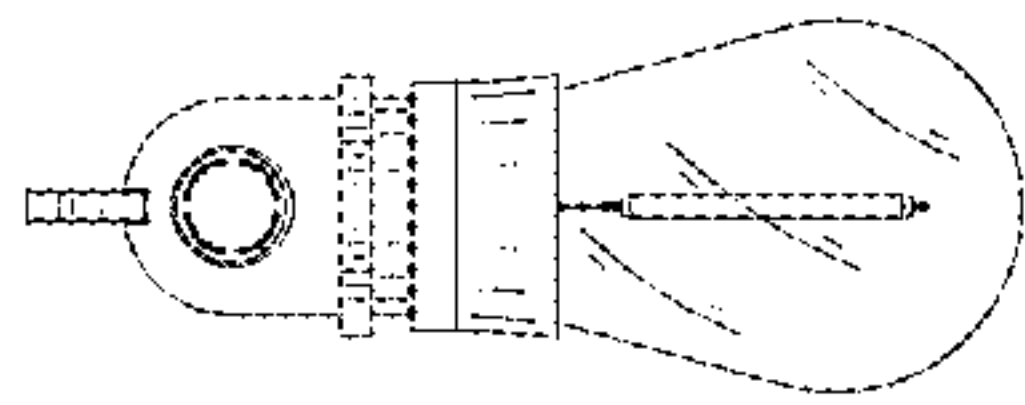


FIG. 5

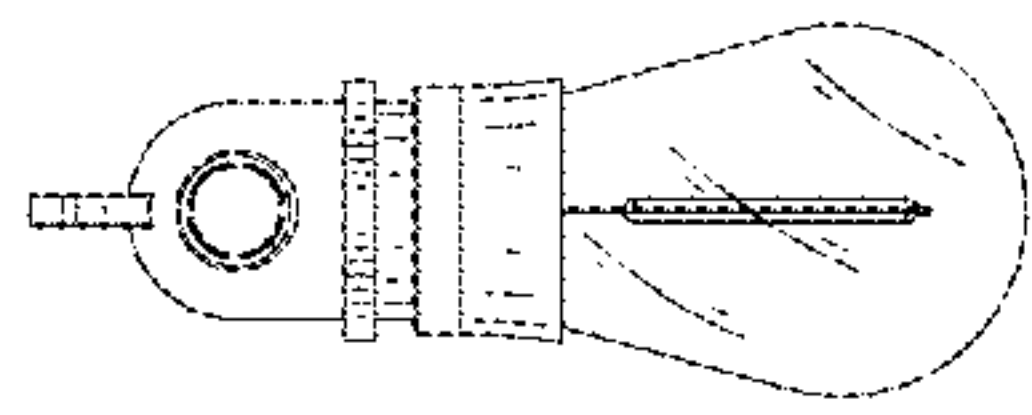


FIG. 6

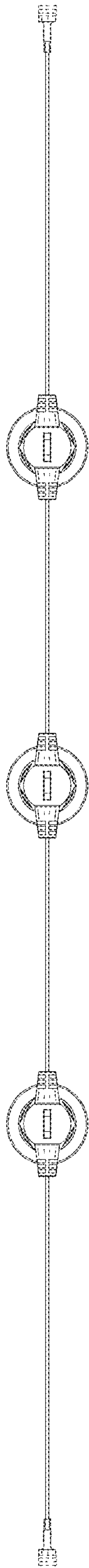


FIG. 7

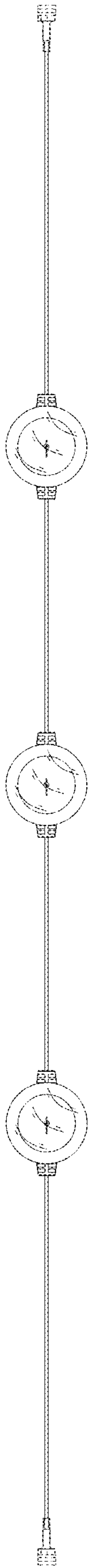


FIG. 8

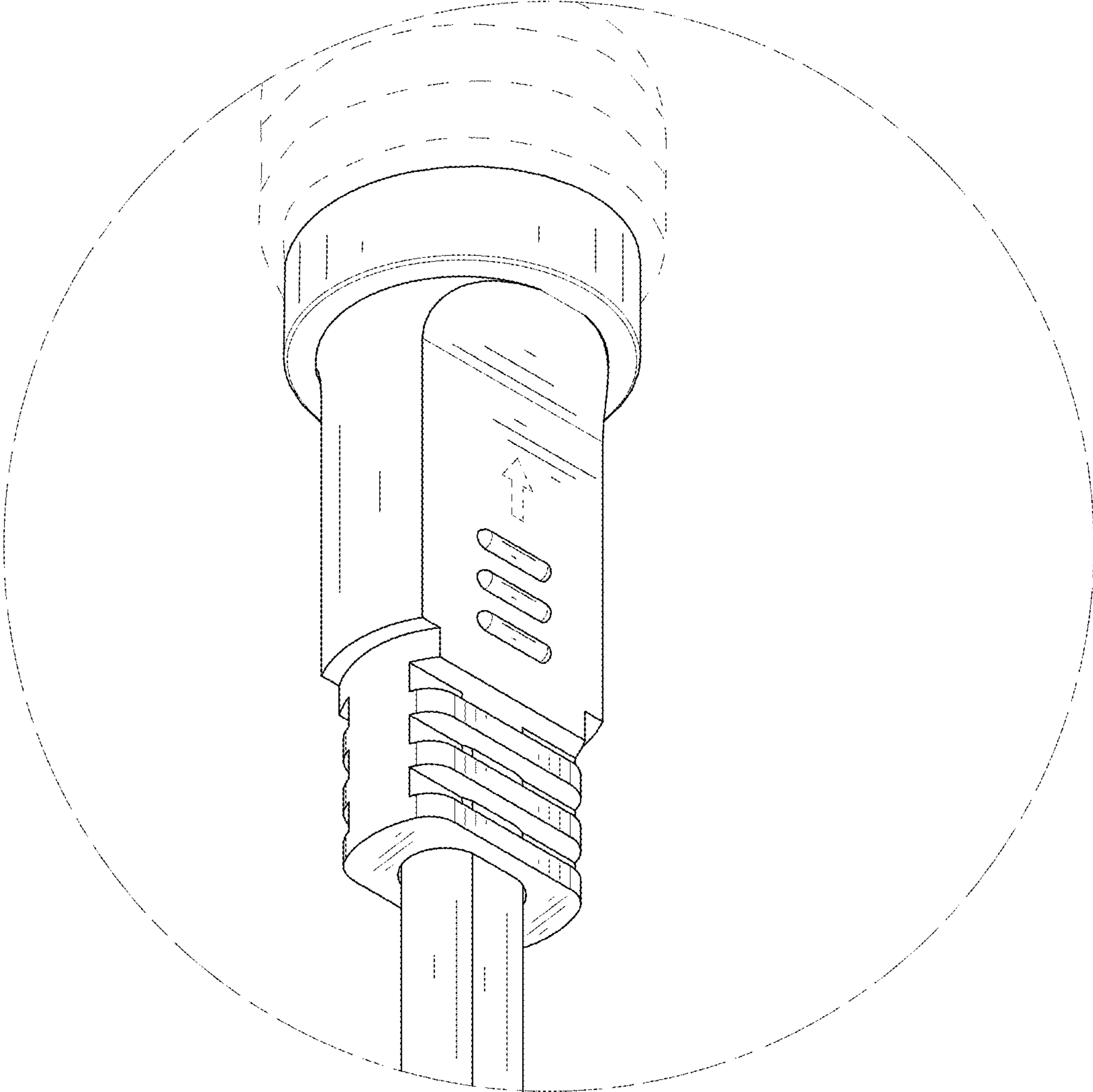


FIG. 9