



US00D984687S

(12) **United States Design Patent**
Luo

(10) **Patent No.:** **US D984,687 S**
(45) **Date of Patent:** **** Apr. 25, 2023**

- (54) **CHRISTMAS TREE LIGHT**
- (71) Applicant: **Jiangmen Xuhong Lighting Co., Ltd.**,
Jiangmen (CN)
- (72) Inventor: **Tianxiang Luo**, Jiangmen (CN)
- (**) Term: **15 Years**
- (21) Appl. No.: **29/790,964**
- (22) Filed: **Dec. 22, 2021**
- (51) **LOC (14) Cl.** **26-04**
- (52) **U.S. Cl.**
USPC **D26/25**
- (58) **Field of Classification Search**
USPC D26/1, 2, 4, 24, 25, 27, 57, 61, 67, 73,
D26/94, 98, 103, 110, 119, 128;
D11/117, 121, 130
CPC F21S 4/00; F21S 4/10; F21S 4/15; F21S
4/20; F21S 4/22; F21S 4/24; F21S 4/26;
F21W 2121/00; F21W 2121/04; F21W
2131/109
See application file for complete search history.

(56) **References Cited**

U.S. PATENT DOCUMENTS

D287,769 S *	1/1987	Davis	D11/119
D406,667 S *	3/1999	Byers	D11/124
D415,583 S *	10/1999	Byers	D11/124
D748,299 S	1/2016	Tunno		
D869,719 S *	12/2019	Liu	D26/94
D919,162 S	5/2021	Qu		
D919,873 S	5/2021	Qu		

(Continued)

FOREIGN PATENT DOCUMENTS

CN	3237208	*	5/2022
EM	008469241-0002	*	3/2021
EM	008809974-0001	*	2/2022

OTHER PUBLICATIONS

“Crepro” reference by Topmart LLC on Amazon.com, date first available Oct. 21, 2021 [online], site visited Aug. 17, 2022, avail-

able from internet URL: <https://www.amazon.com/CREPRO-Christmas-Decoration-Multicolor-Waterfall/dp/B097T1QHPN> (Year: 2021).*

(Continued)

Primary Examiner — Richard Kearney
Assistant Examiner — Liv C Anderson
(74) *Attorney, Agent, or Firm* — Rumit Ranjit Kanakia

(57) **CLAIM**

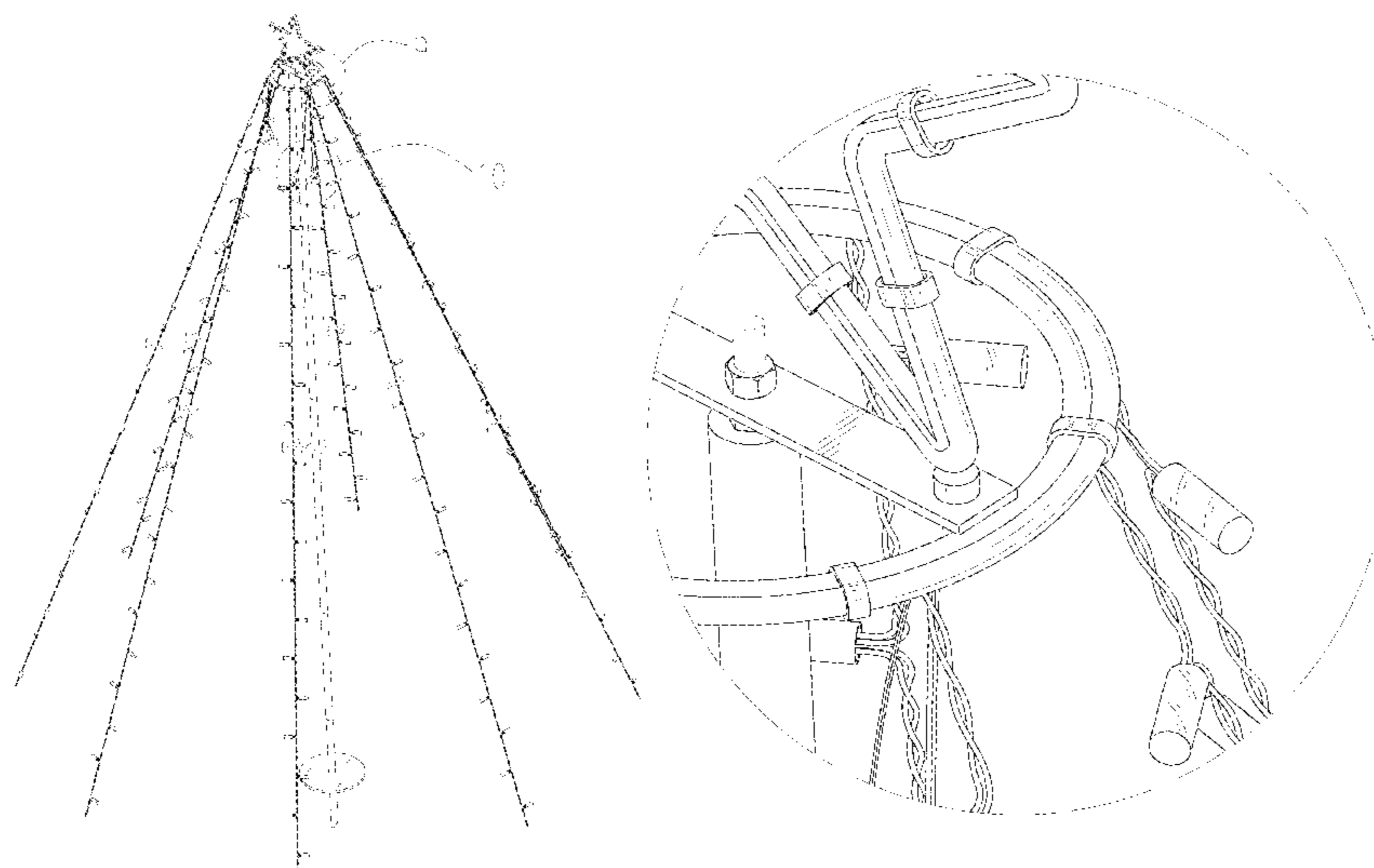
The ornamental design for a Christmas tree light, as shown and described.

DESCRIPTION

FIG. 1 is a perspective view of a Christmas tree light showing my new design;
FIG. 2 is a front view thereof;
FIG. 3 is a back view thereof;
FIG. 4 is a left side view thereof;
FIG. 5 is a right side view thereof;
FIG. 6 is a top view thereof;
FIG. 7 is a bottom view thereof;
FIG. 8 is an exploded view of the Christmas tree light thereof;
FIG. 9 is an enlarged view of the selected portion in FIG. 1; and,
FIG. 10 is an enlarged view of the selected portion in FIG. 1.

The broken lines shown in the drawings depict portions of the Christmas tree light in which the design is embodied that form no part of the claimed design. The dash-dot-dash broken encircling the enlarged views in FIGS. 1, 3, 9 and 10 are for annotative purposes only and form no part of the claim thereof. The Christmas tree light is shown with symbolic breaks in its length. The appearance of any portion of the article between the break lines forms no part of the claimed design.

1 Claim, 10 Drawing Sheets



(56)

References Cited

U.S. PATENT DOCUMENTS

D925,077	S	*	7/2021	Yang	D26/25
D935,648	S	*	11/2021	Shi	D26/25
D952,199	S	*	5/2022	Xu	D26/25
D960,403	S	*	8/2022	Wei	D26/25
D967,469	S	*	10/2022	Dai	D26/25
D970,761	S	*	11/2022	Zhao	D26/25
D974,599	S	*	1/2023	Xu	D26/25
D976,452	S	*	1/2023	Zhu	D26/25
2014/0272202	A1	*	9/2014	Tsai	A47G 33/06 428/8

OTHER PUBLICATIONS

“Twinkle” reference by Twinkle Star LLC on Amazon.com, date first available Sep. 18, 2020 [online], site visited Aug. 17, 2022, available from internet URL: <https://www.amazon.com/Twinkle-Star-Christmas-Changing-Multicolor/dp/B08JG45F7Y> (Year: 2020).*

“8ft High” reference by Lukasumi on Amazon.com, date first available Nov. 9, 2021 [online], site visited Aug. 17, 2022, available from internet URL: <https://www.amazon.com/Installation-Included-Waterproof-Waterfall-Christmas/dp/B09LCS49QL> (Year: 2021).*

* cited by examiner

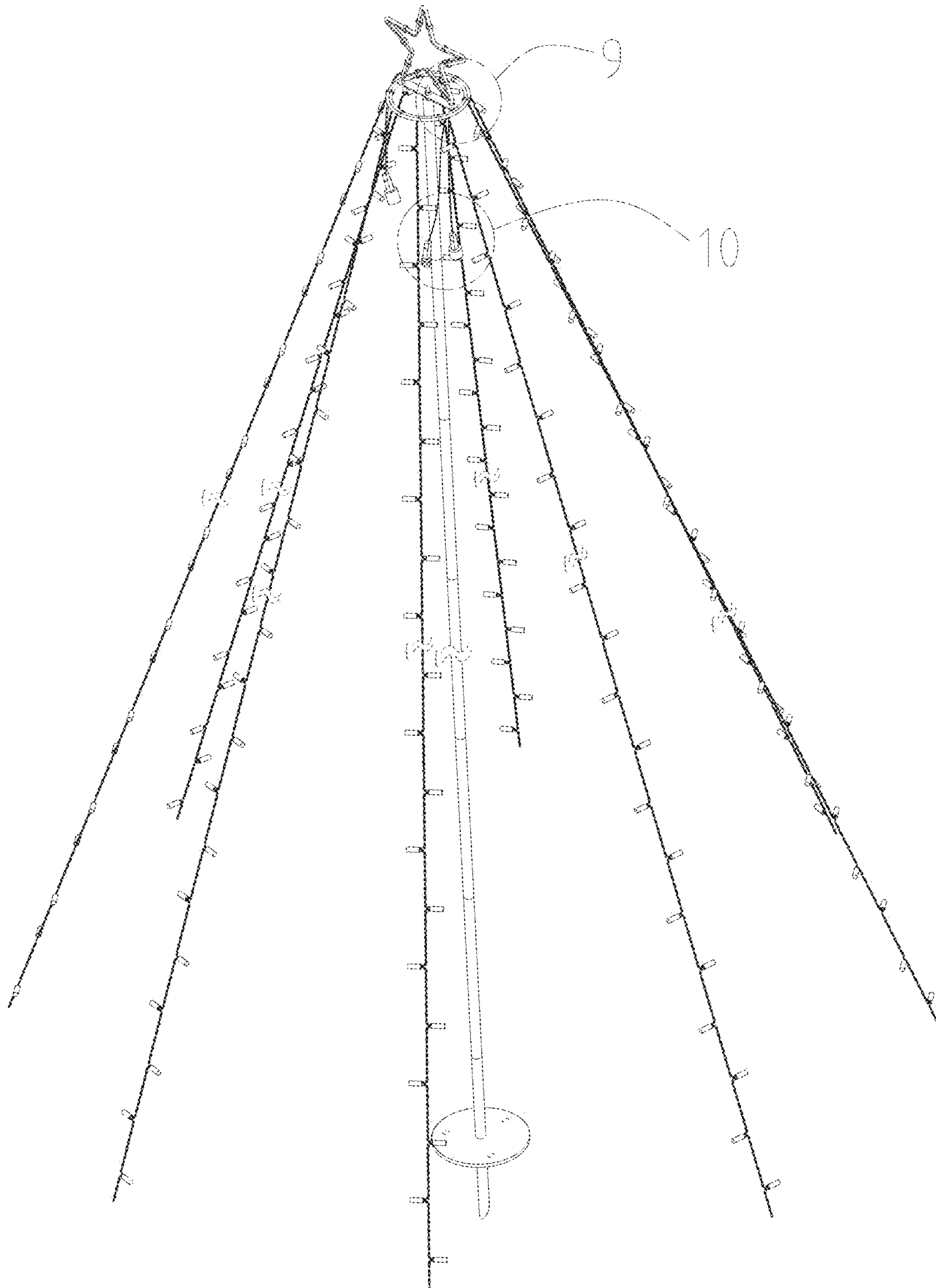


FIG. 1

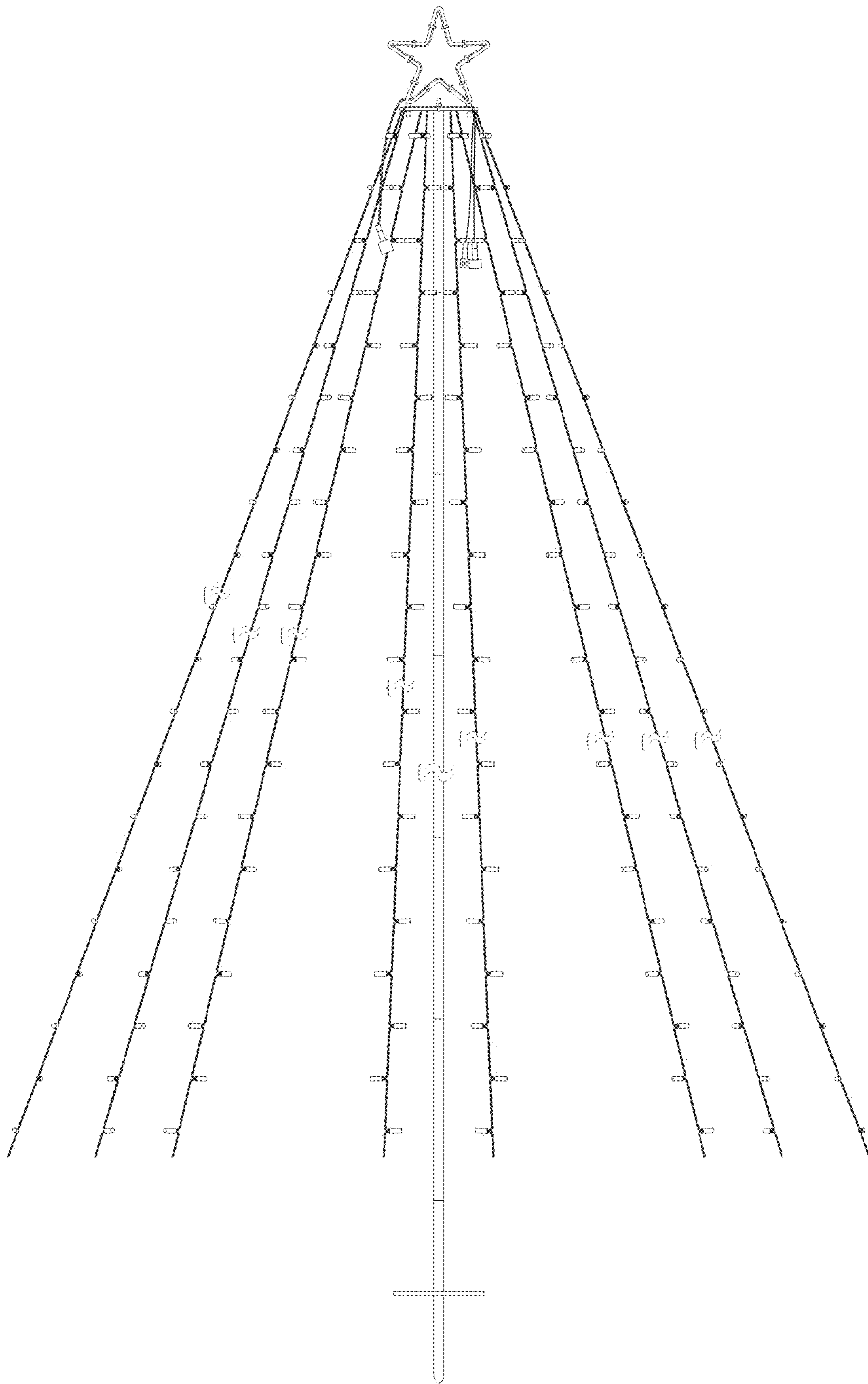


FIG. 2

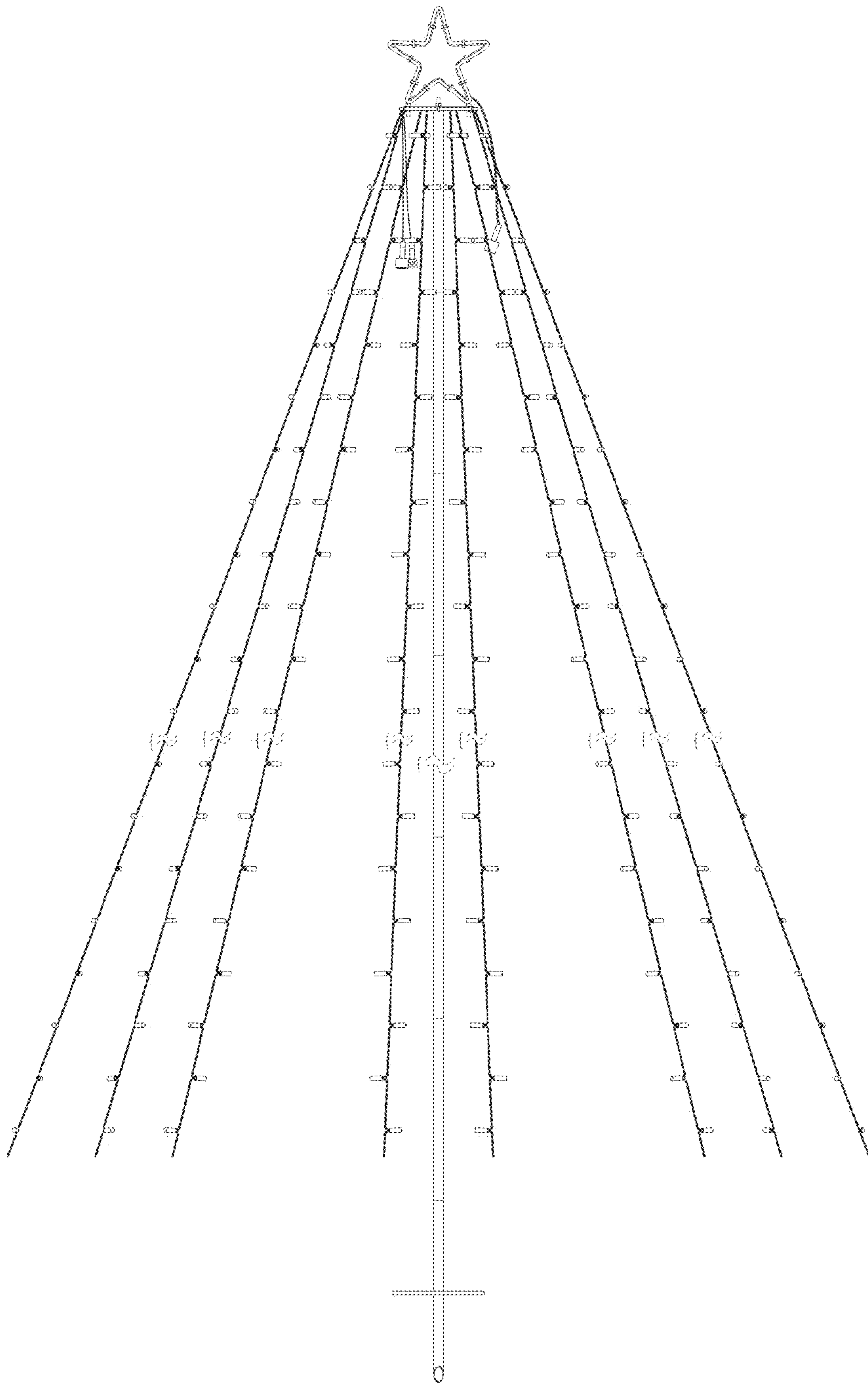


FIG. 3

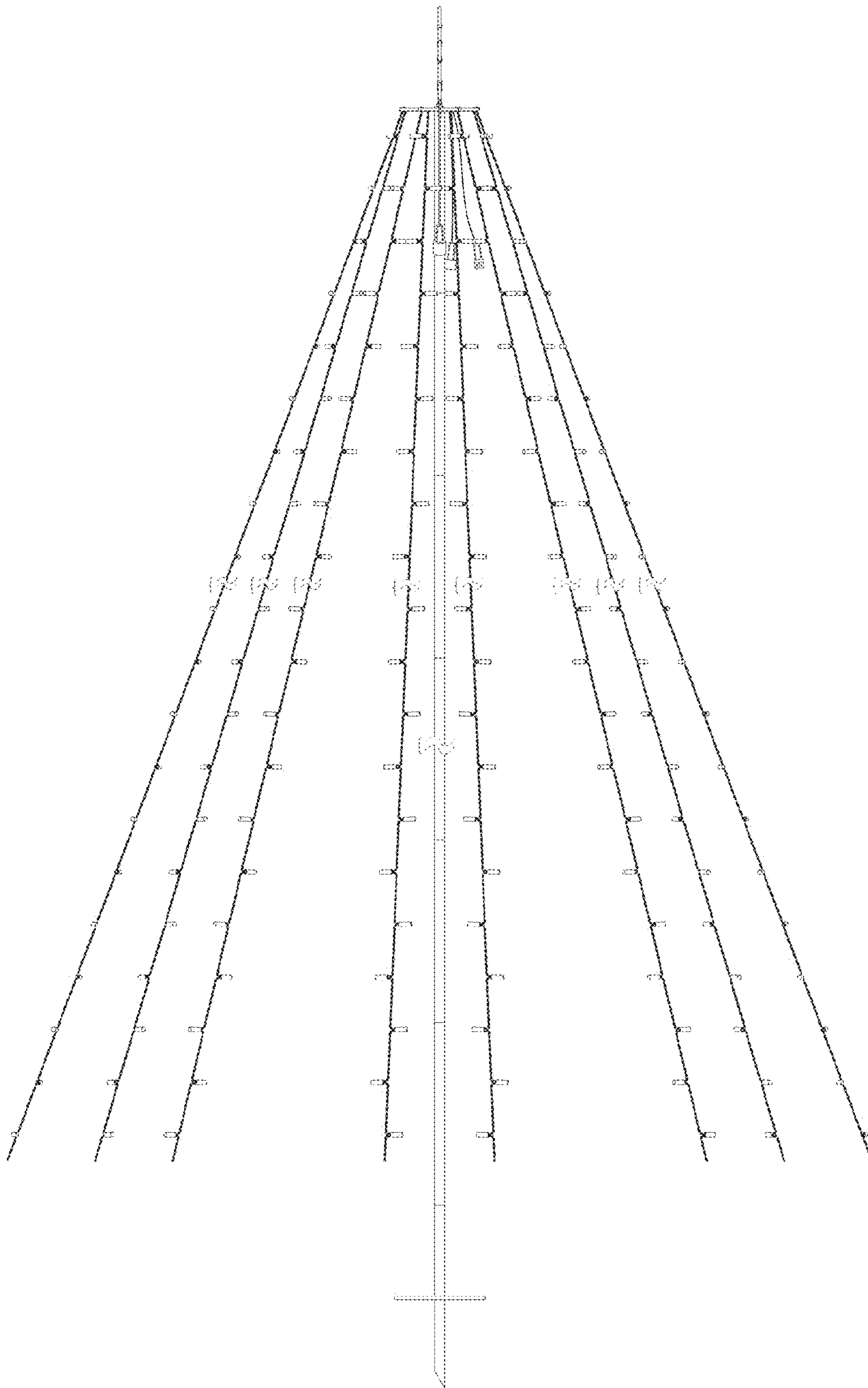


FIG. 4

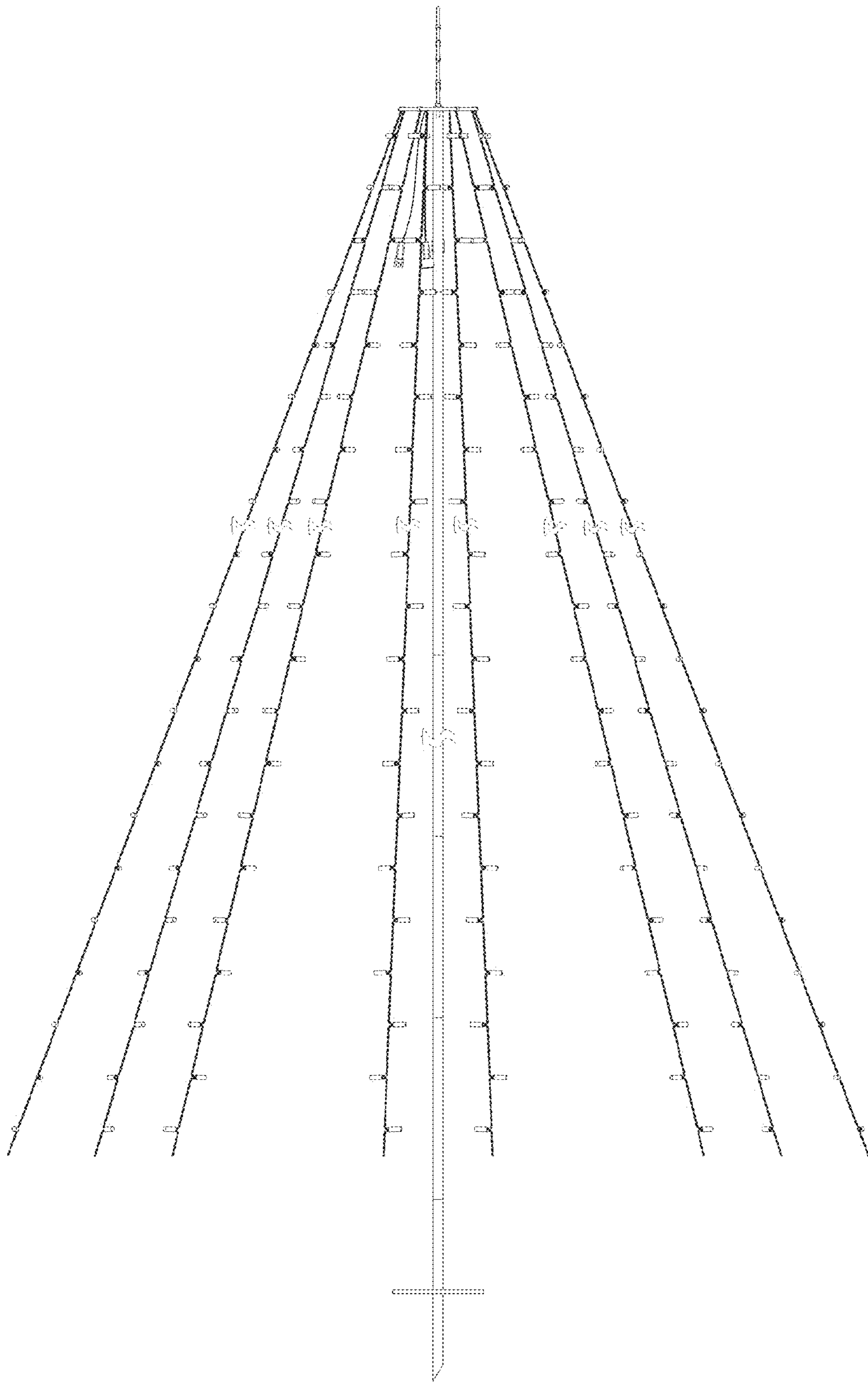


FIG. 5

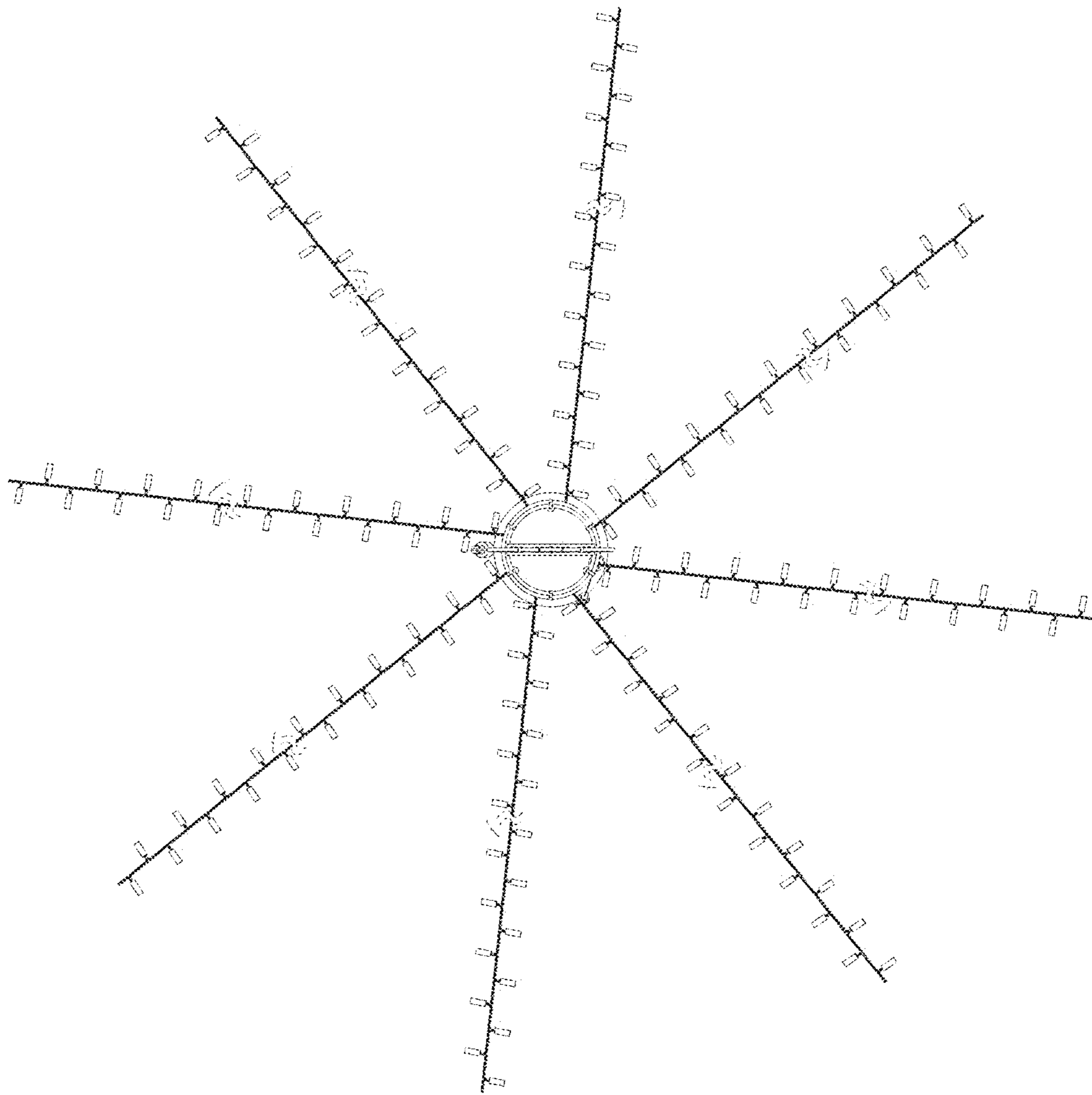


FIG. 6

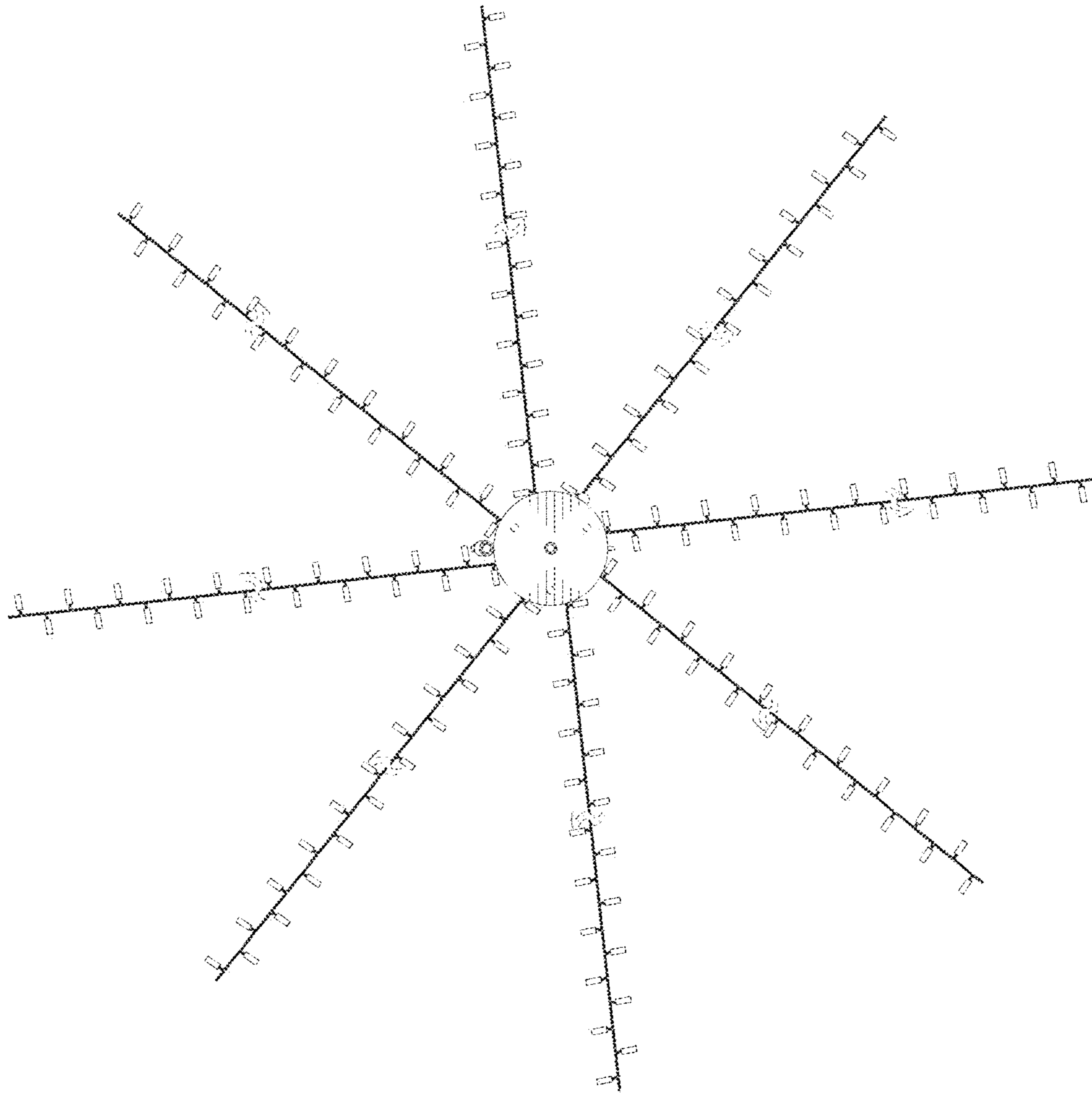


FIG. 7

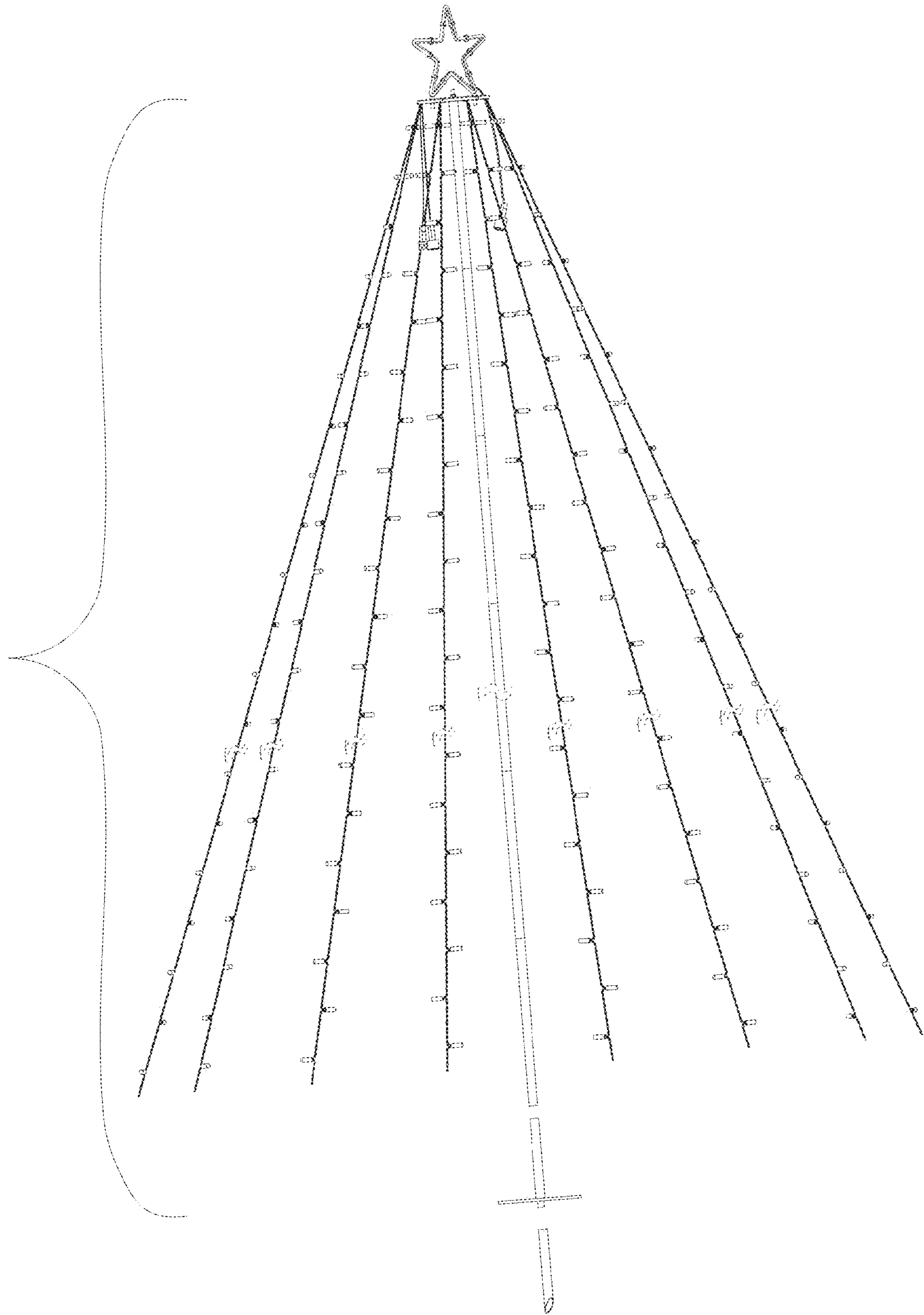


FIG. 8

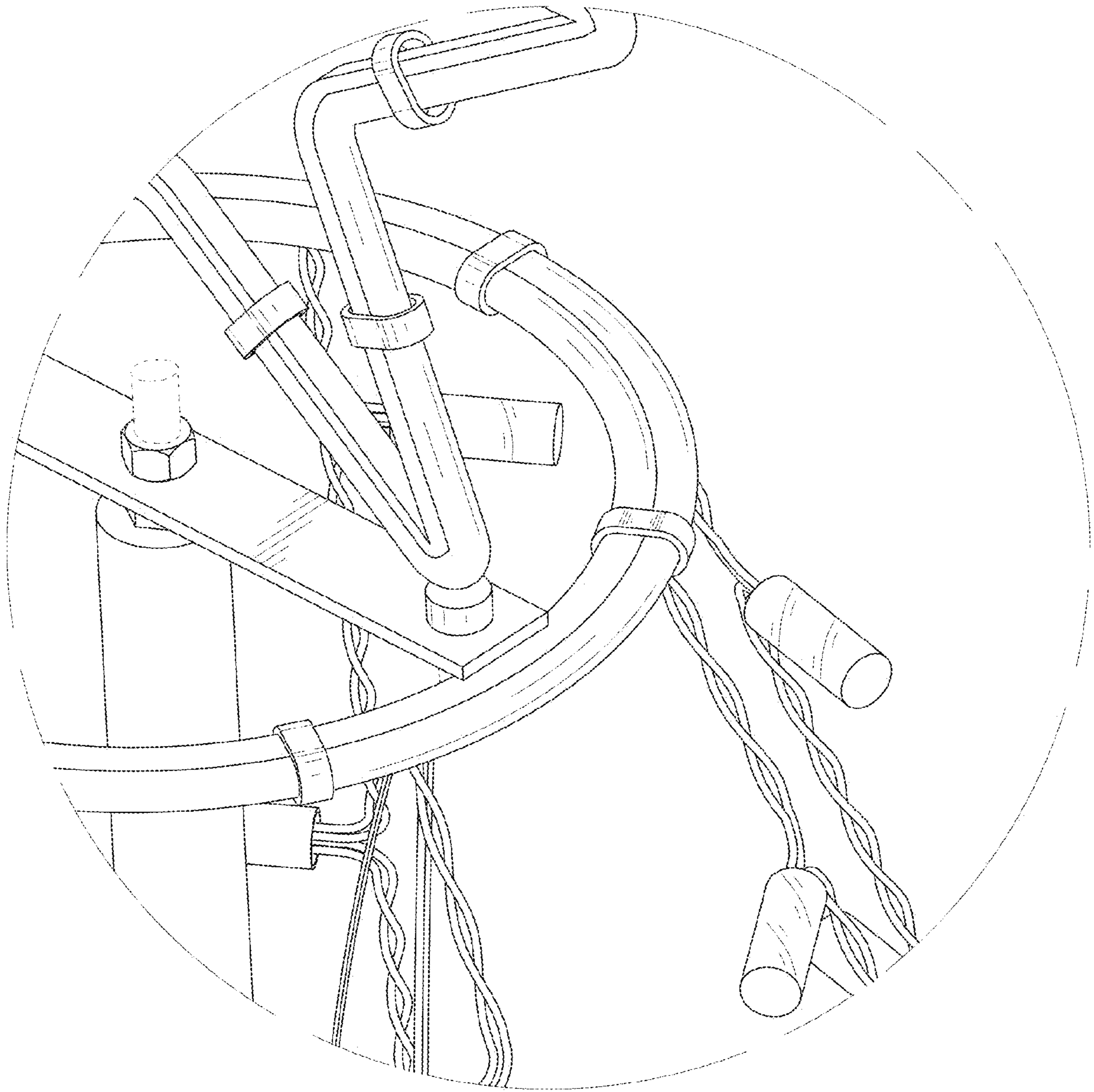


FIG. 9

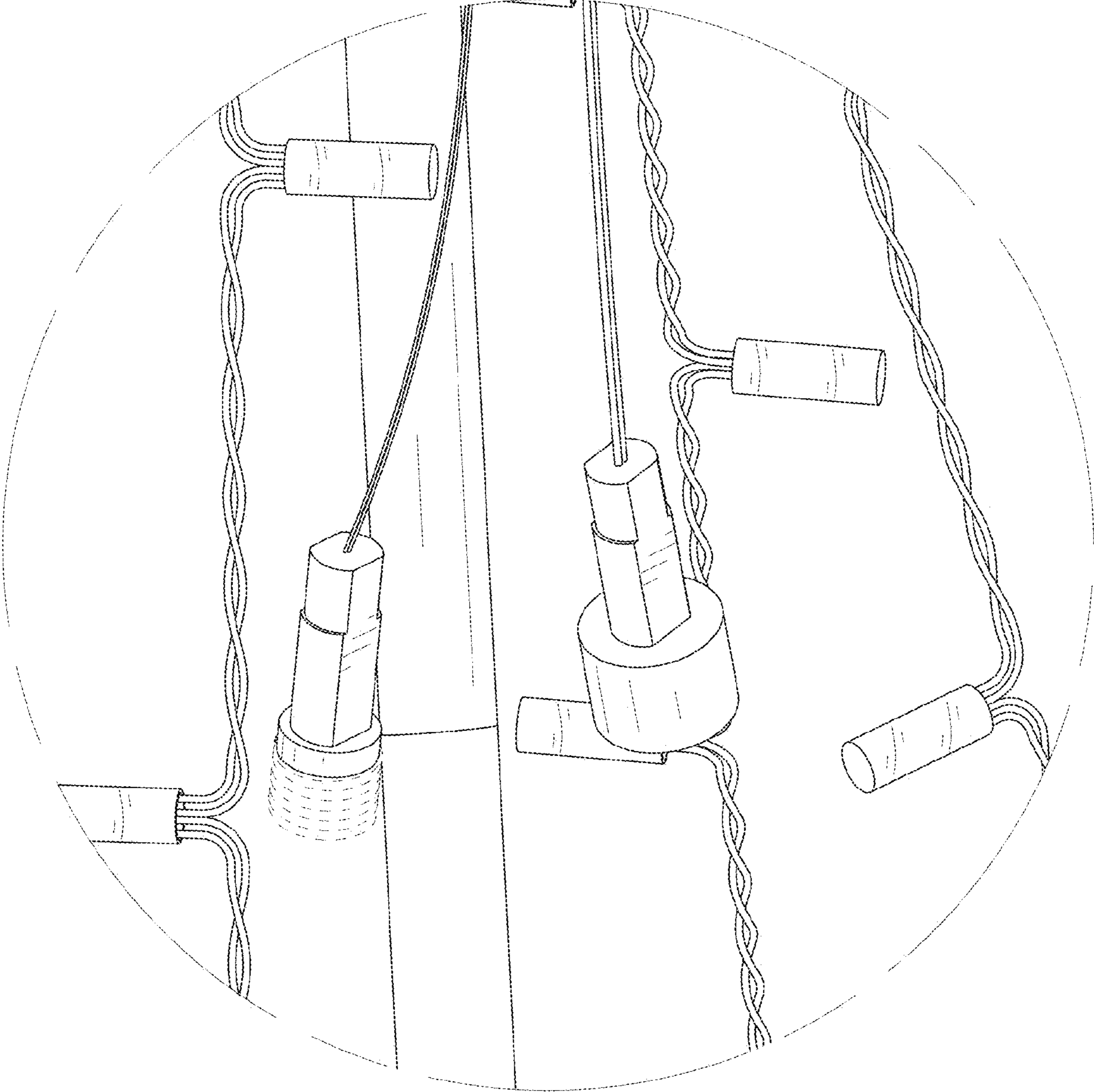


FIG. 10