



US00D984684S

(12) **United States Design Patent** (10) **Patent No.:** **US D984,684 S**  
**Li** (45) **Date of Patent:** **\*\* Apr. 25, 2023**

(54) **SUBMERSIBLE LED LIGHT**  
(71) Applicant: **Shenzhen Nanjia Information Technology Ltd. Co., Shenzhen (CN)**  
(72) Inventor: **Jinfang Li, Shenzhen (CN)**  
(73) Assignee: **Shenzhenshi Nanjiakejixinxi Youxiangongsi, Shenzhen (CN)**  
(\*\*) Term: **15 Years**  
(21) Appl. No.: **29/775,768**  
(22) Filed: **Mar. 25, 2021**  
(51) **LOC (14) Cl.** ..... **26-03**  
(52) **U.S. Cl.**  
USPC ..... **D26/24**  
(58) **Field of Classification Search**  
USPC ..... D26/24, 37-52, 60-66, 72, 81, 83, 85,  
D26/88-89, 93, 104-110, 118-120,  
D26/123-124; D14/218, 413; D6/309  
CPC ..... F21W 2131/401; F21W 2121/02; F21W  
2121/00; F21W 2107/20; F21W 2111/04;  
F21W 2131/308; F21W 2131/10; F21Y  
2115/10; F21Y 2113/13; F21S 8/00; F21S  
9/02; F21S 8/024; F21L 4/00; F21L  
14/00; F21L 4/027  
See application file for complete search history.

(56) **References Cited**  
U.S. PATENT DOCUMENTS  
D556,938 S \* 12/2007 Russello ..... D26/89  
D633,231 S \* 2/2011 Morrison ..... D26/24  
D771,860 S \* 11/2016 Weiss ..... D26/124  
D777,367 S \* 1/2017 Ma ..... D26/104  
D788,475 S \* 6/2017 Kiyohara ..... D6/309  
D789,373 S \* 6/2017 King ..... D14/413  
D790,094 S \* 6/2017 Ko ..... D26/28

D803,470 S \* 11/2017 Austin, III ..... D26/118  
D820,238 S \* 6/2018 Boshernitzan ..... D14/218  
D895,175 S \* 9/2020 Li ..... D26/24  
D898,958 S \* 10/2020 Xiao ..... D26/24  
D907,280 S \* 1/2021 Zeng ..... D26/104  
D911,560 S \* 2/2021 Hu ..... D26/24  
D917,092 S \* 4/2021 Zhang ..... D26/110  
D920,543 S \* 5/2021 Wei ..... D26/24  
D920,566 S \* 5/2021 Wei ..... D26/110  
D935,646 S \* 11/2021 Huang ..... D26/24  
D952,923 S \* 5/2022 Xu ..... D26/60  
D956,275 S \* 6/2022 Zhao ..... D26/24  
D959,032 S \* 7/2022 Chen ..... D26/24  
D965,829 S \* 10/2022 Zhang ..... D26/24

\* cited by examiner

*Primary Examiner* — Mark A Goodwin  
*Assistant Examiner* — William B Melliar  
(74) *Attorney, Agent, or Firm* — Rimon PC

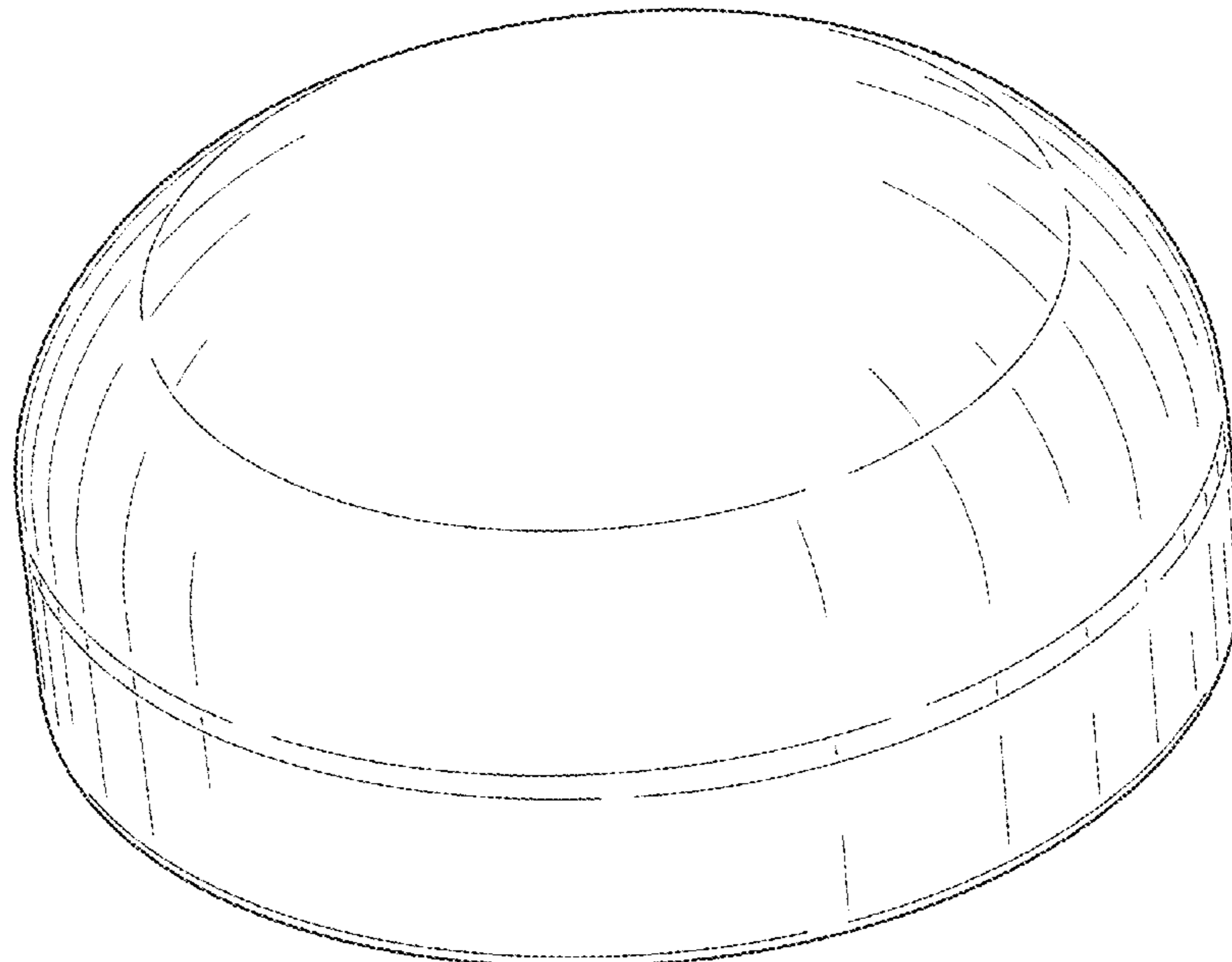
(57) **CLAIM**

The ornamental design for a submersible LED light, as shown.

**DESCRIPTION**

FIG. 1 is a perspective view of the submersible LED light; FIG. 2 is a side view of the claimed submersible LED light; FIG. 3 is another side view of the claimed submersible LED light; FIG. 4 is a front view of the claimed submersible LED light; FIG. 5 is a back view of the claimed submersible LED light; FIG. 6 is a top view of the claimed submersible LED light; and, FIG. 7 is a bottom view of the claimed submersible LED light. The broken lines in the drawings depict portions of the submersible LED light that form no part of the claimed design.

**1 Claim, 4 Drawing Sheets**



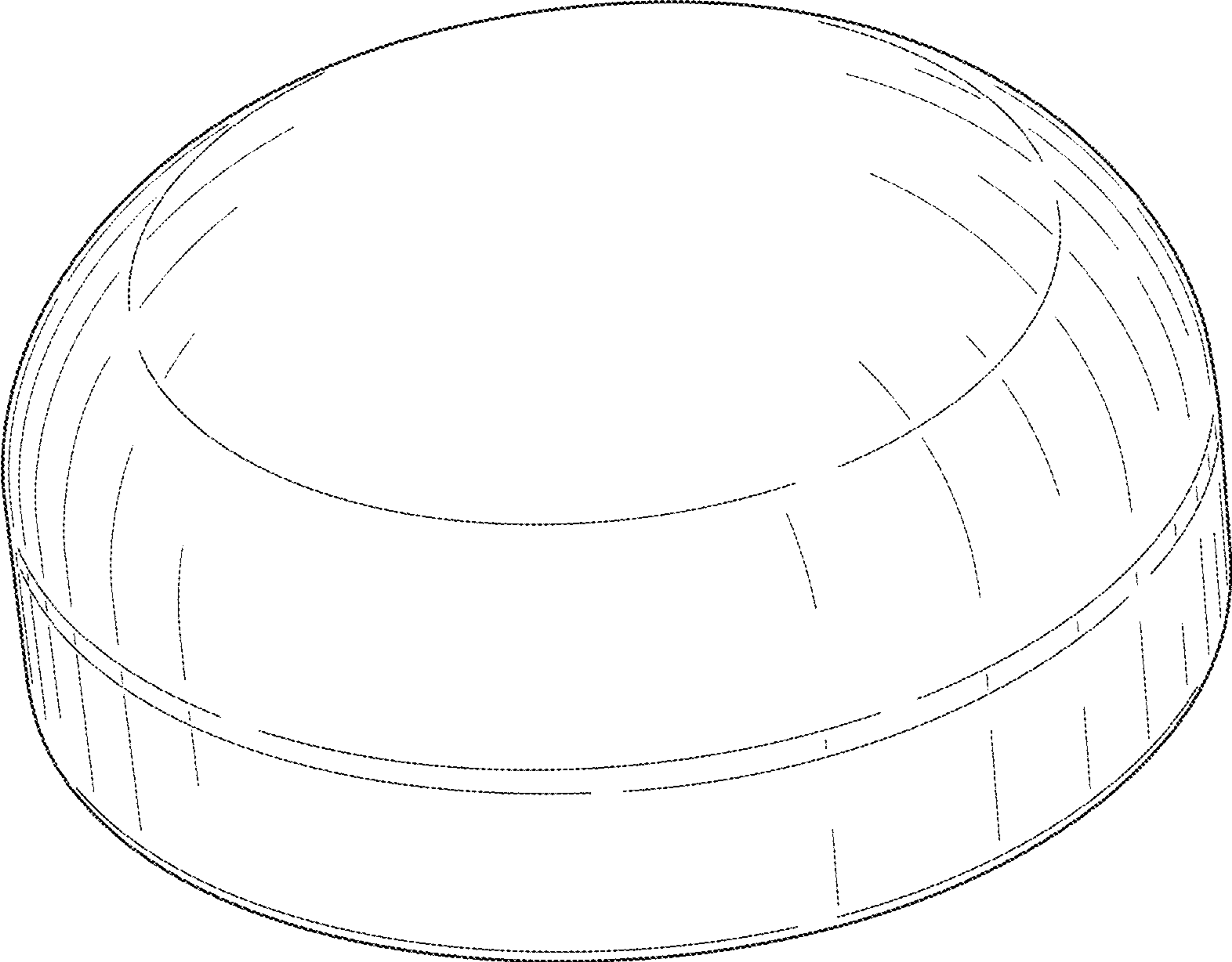


FIG. 1

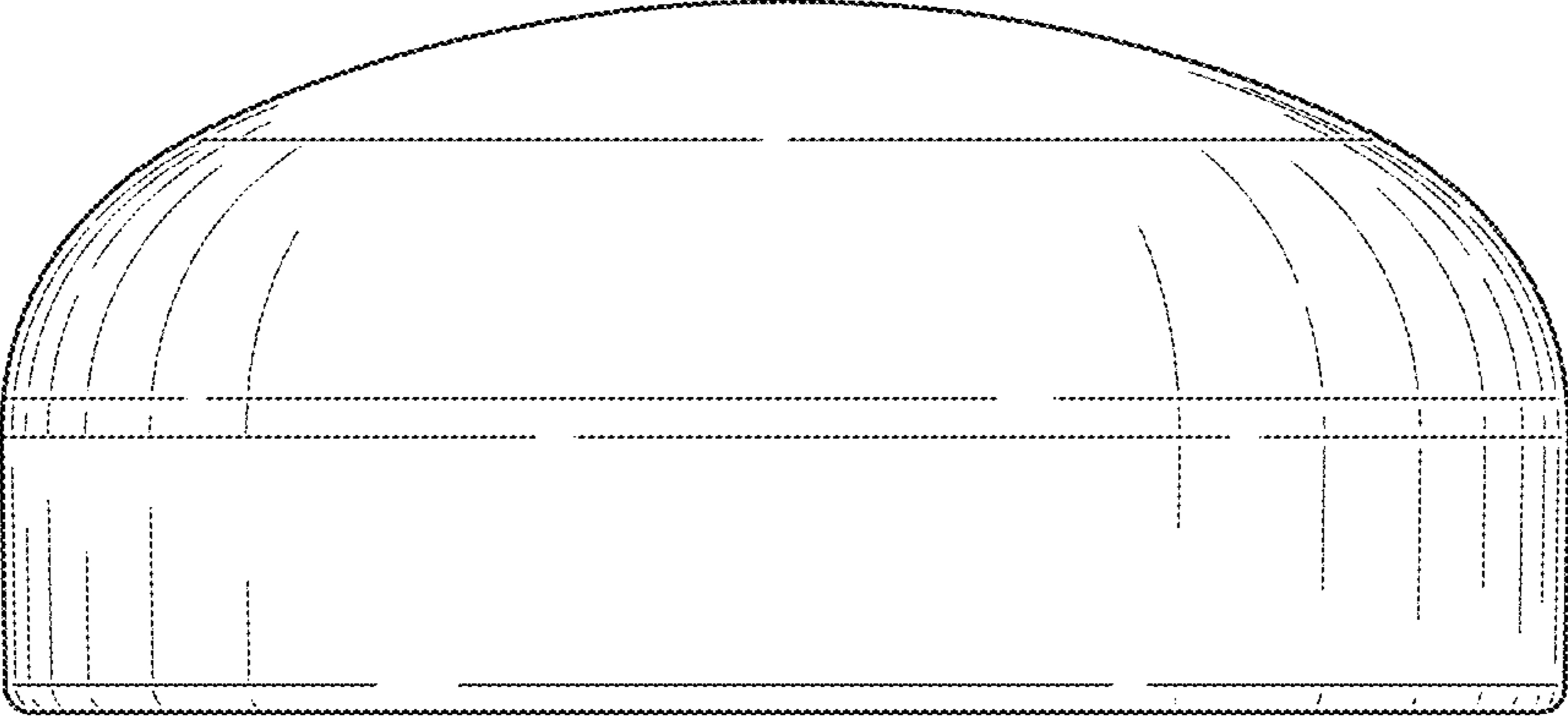


FIG. 2

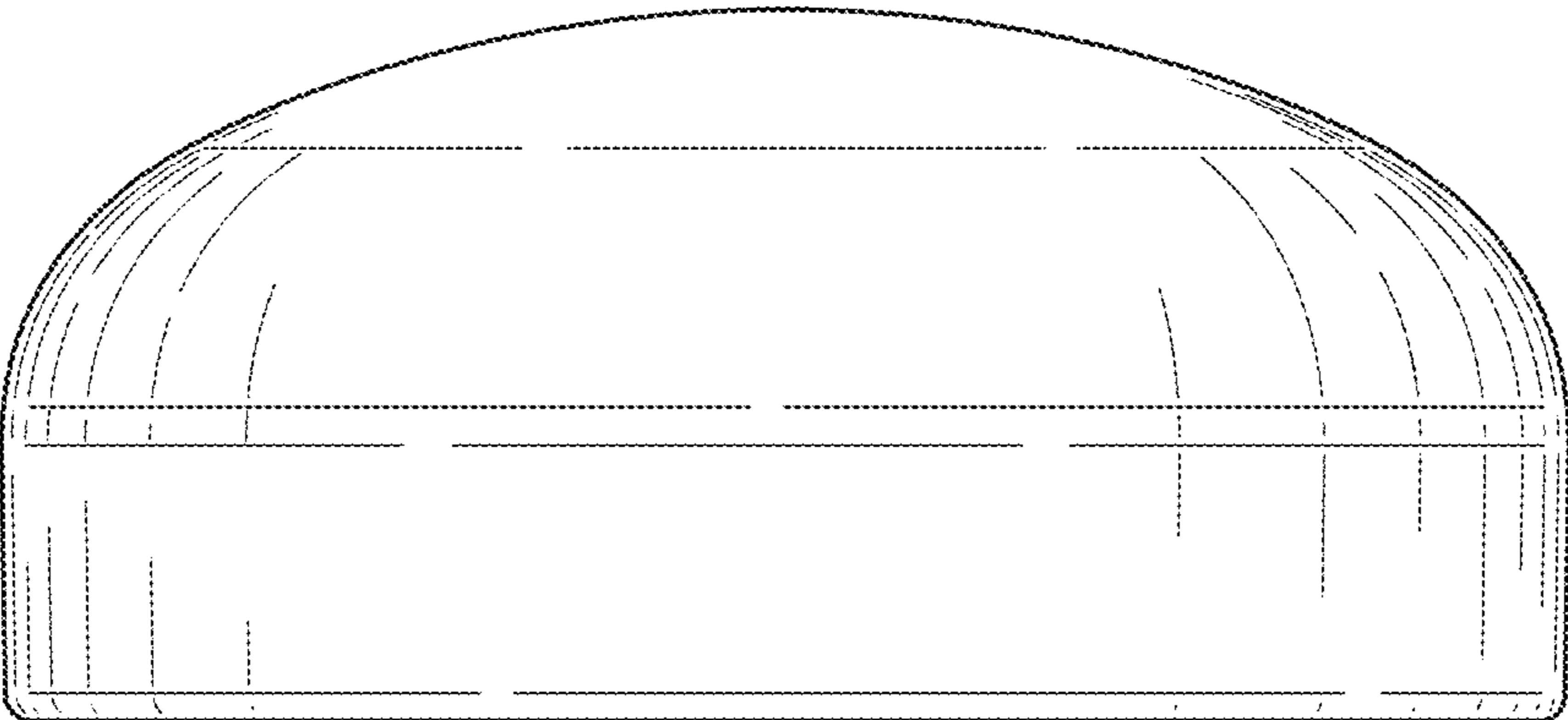


FIG. 3

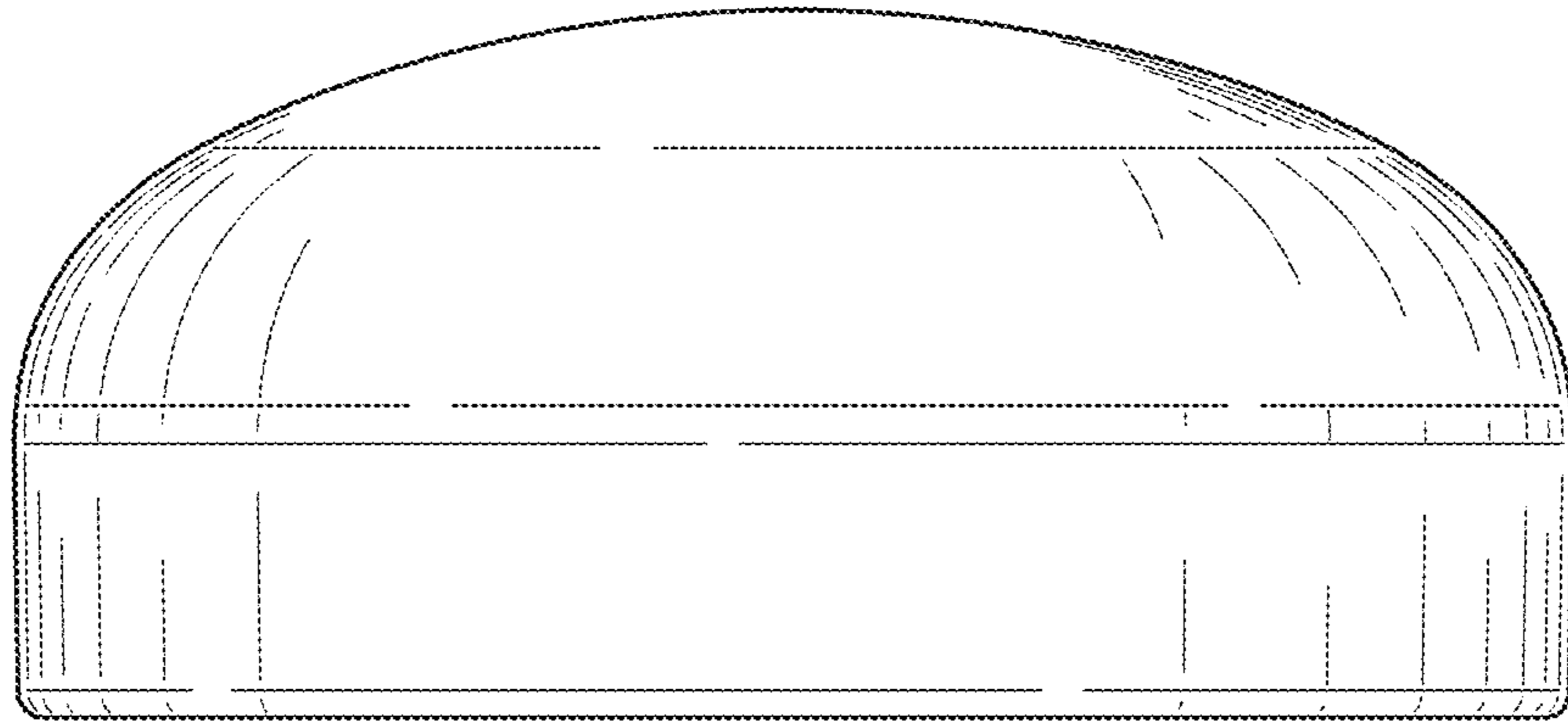


FIG. 4

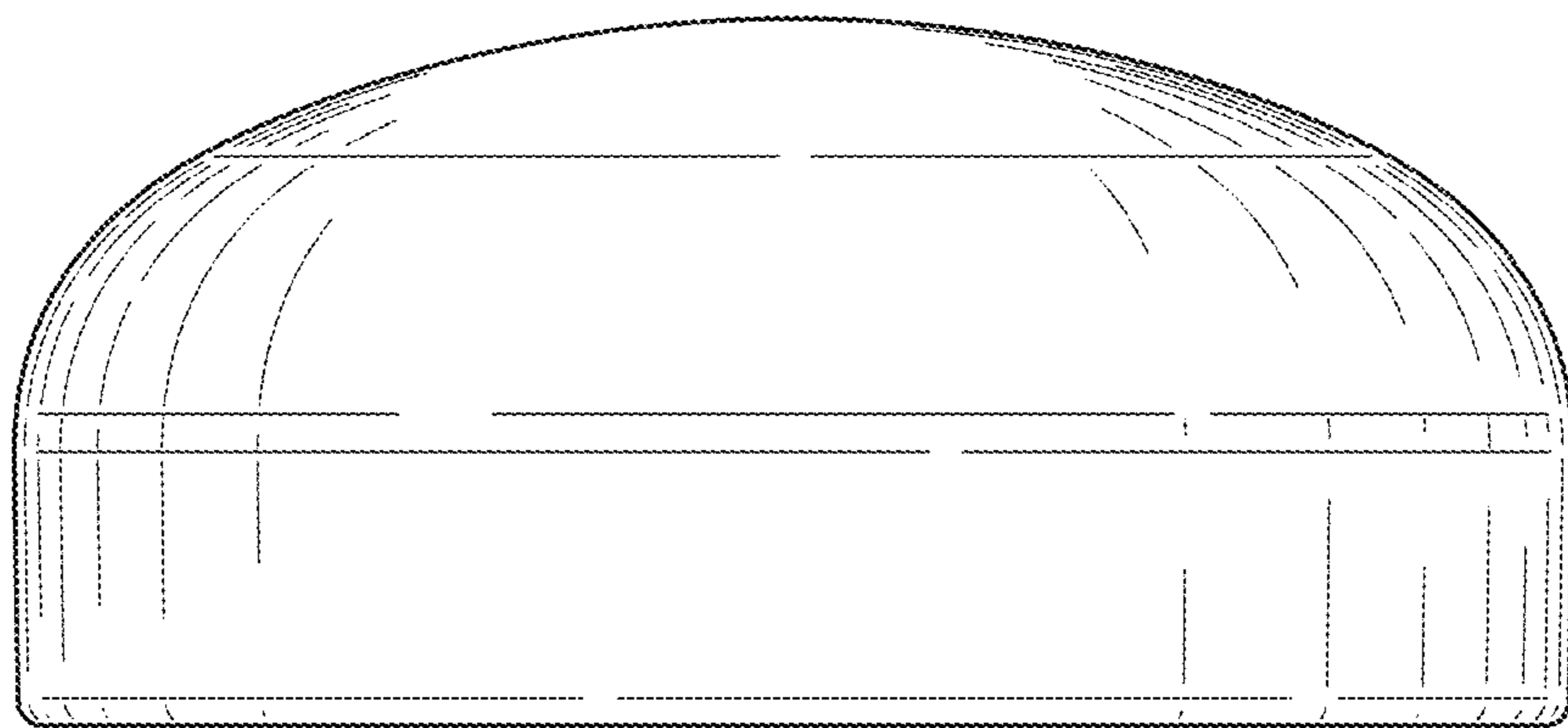


FIG. 5

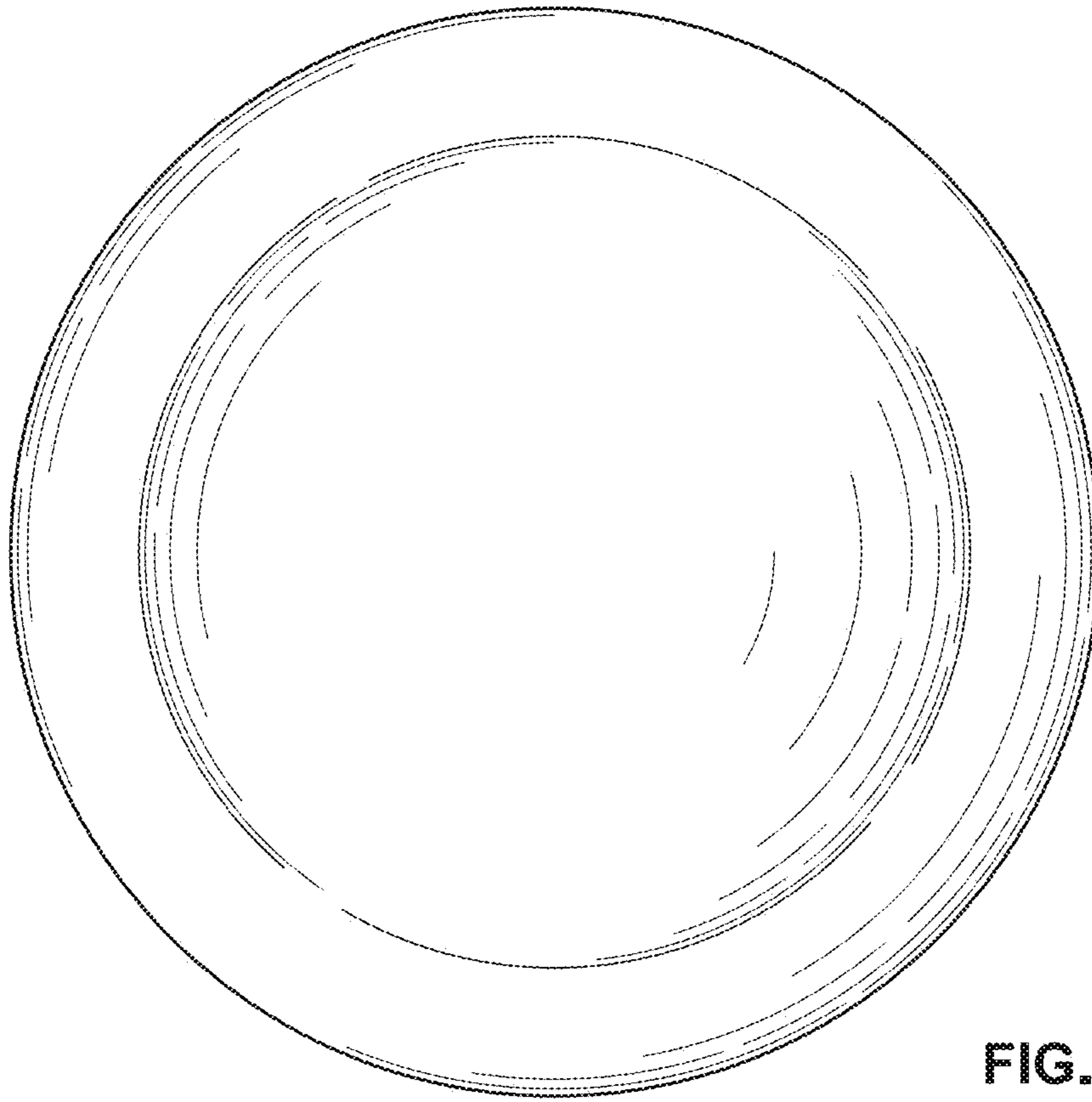


FIG. 6

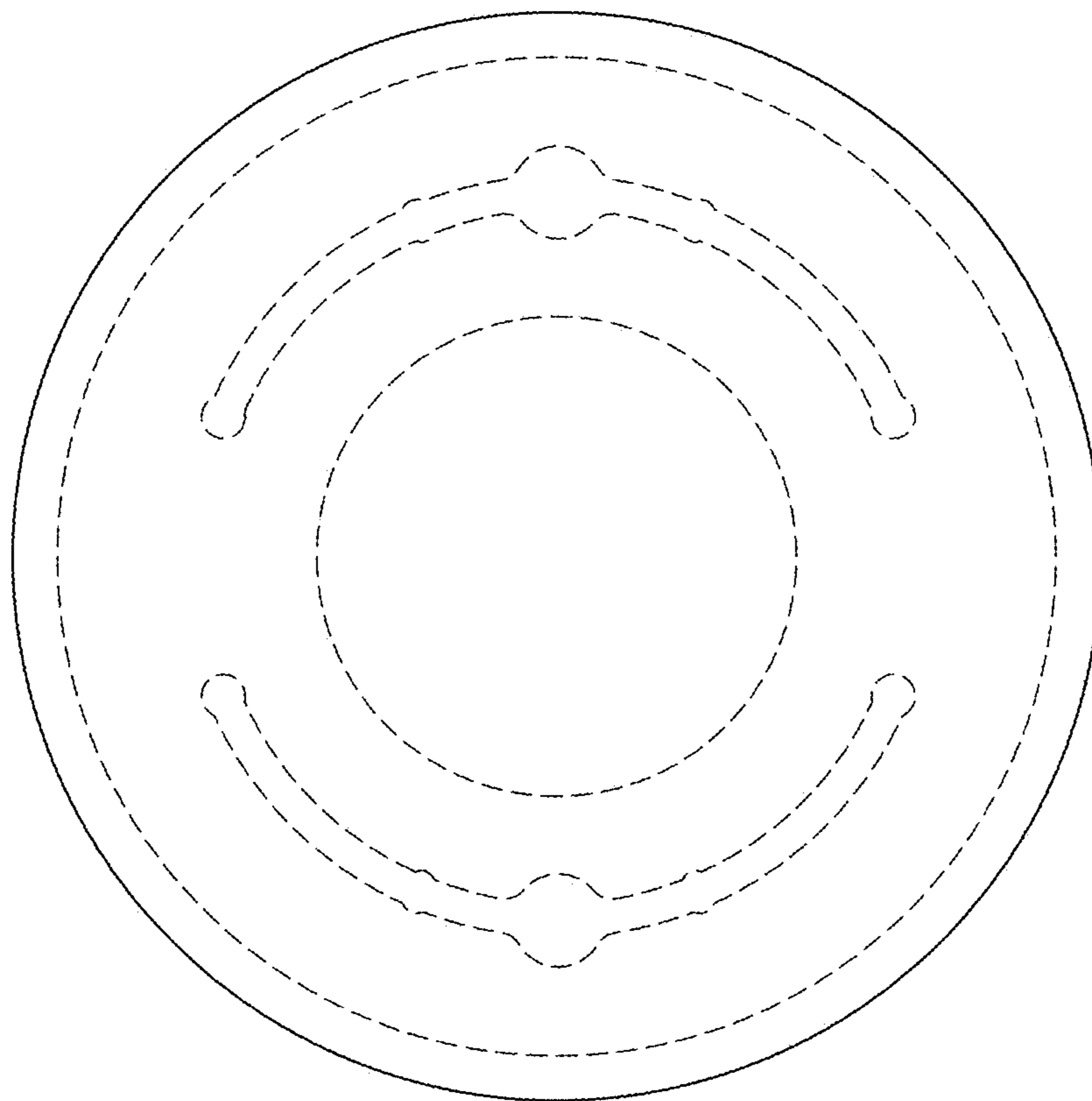


FIG. 7