



US00D984679S

(12) **United States Design Patent**
Hickey

(10) **Patent No.:** **US D984,679 S**

(45) **Date of Patent:** **** Apr. 25, 2023**

(54) **SUPPORT BEAM FOR SCREENED ENCLOSURE**

(71) Applicant: **Nicole Hickey**, Ft. Myers, FL (US)

(72) Inventor: **Nicole Hickey**, Ft. Myers, FL (US)

(**) Term: **15 Years**

(21) Appl. No.: **29/756,106**

(22) Filed: **Oct. 26, 2020**

(51) **LOC (14) Cl.** **25-01**

(52) **U.S. Cl.**
USPC **D25/126; D25/119; D25/122**

(58) **Field of Classification Search**
USPC D25/61, 119-136, 164
CPC B21C 23/00; E04C 2003/0417; E04C 2003/0439; E04C 2003/0452; E04C 2003/0465; E04C 2003/0473; E04C 3/00; E04C 3/04; E04C 3/28; E04B 1/19; E04B 1/1903; E04B 1/24; E04B 1/2403; E04B 1/40; E04B 2001/2415; E04B 2001/2421; E04B 2001/2451; E04H 12/12269; E04H 12/24; E04H 15/34; E04H 17/1421; E04H 3/04; E04H 3/06

See application file for complete search history.

(56) **References Cited**

U.S. PATENT DOCUMENTS

D77,270 S *	12/1928	Toney	D25/136
D130,513 S *	11/1941	Bloodworth	D25/123
2,975,874 A *	3/1961	Pagan	E04C 3/07
				52/844
3,037,592 A *	6/1962	Shipley	E04C 2/3405
				428/116
3,604,164 A *	9/1971	Mason	E04C 2/54
				D25/164
3,765,784 A *	10/1973	Watson	E01C 11/126
				404/64
D245,709 S *	9/1977	Dallaire	D25/119
D258,912 S *	4/1981	Dallaire	D25/123

D265,687 S *	8/1982	Bowman	D25/122
4,351,622 A *	9/1982	Kerschner	E04B 1/681
				49/498.1
4,367,976 A *	1/1983	Bowman	E01D 19/06
				404/64
D270,092 S *	8/1983	Lacasse	D25/123
D364,104 S *	11/1995	Johnson	D10/74
D365,888 S *	1/1996	Ishmael	D25/124
D374,650 S *	10/1996	Shermeto	D8/349
D393,319 S *	4/1998	Reuter	D25/55

(Continued)

Primary Examiner — T Chase Nelson

Assistant Examiner — Sydney Margaret Parsley

(74) *Attorney, Agent, or Firm* — Larson & Larson; Justin P. Miller; Frank Liebenow

(57) **CLAIM**

The ornamental design for a support beam for screened enclosure, as shown and described.

DESCRIPTION

FIG. 1 is a front perspective view of a support beam for screened enclosure.

FIG. 2 is a front view of the support beam for a screened enclosure.

FIG. 3 is a rear view of the support beam for a screened enclosure.

FIG. 4 is a left side view of the support beam for a screened enclosure.

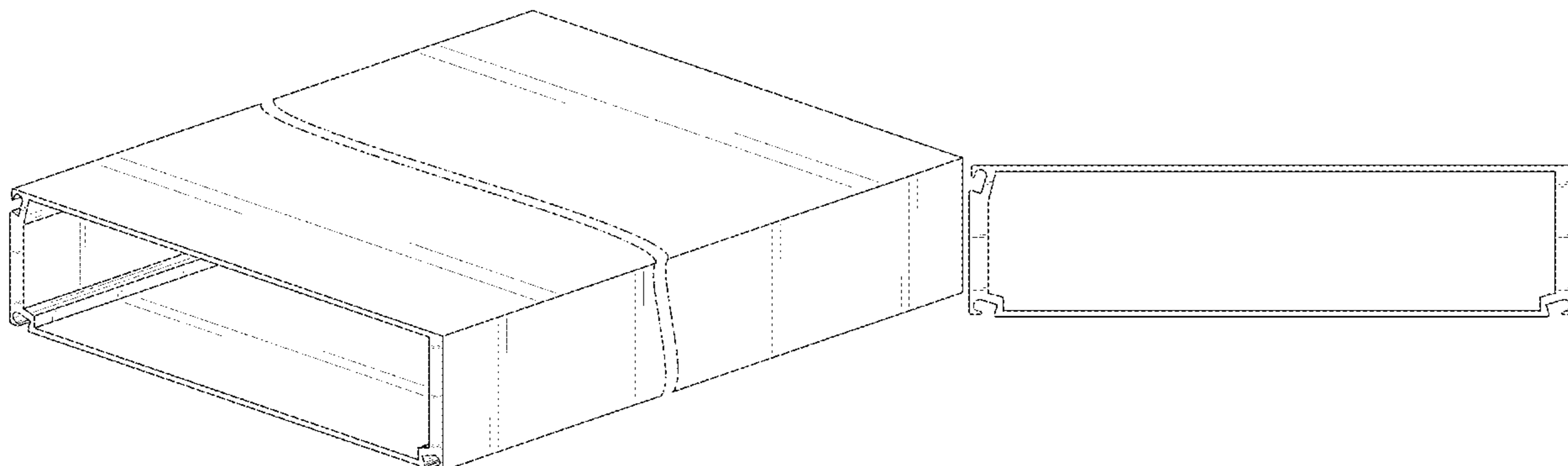
FIG. 5 is a right side view of the support beam for a screened enclosure.

FIG. 6 is a top view of the support beam for a screened enclosure; and,

FIG. 7 is a bottom view of the support beam for a screened enclosure.

The support beam for screened enclosure is shown with a symbolic break in its length. The appearance of any portion of the article between the break lines forms no part of the claimed design.

1 Claim, 5 Drawing Sheets



(56)

References Cited

U.S. PATENT DOCUMENTS

D407,831 S *	4/1999	Gifford	D25/136	D805,235 S *	12/2017	Waldmann	D26/76
D420,149 S *	2/2000	Hersh	D25/119	D806,439 S *	1/2018	Buccola, Jr.	D6/580
D448,862 S *	10/2001	Kieffer	D25/121	D808,682 S *	1/2018	Anderson	D6/580
D452,915 S *	1/2002	Kieffer	D25/122	D808,683 S *	1/2018	Anderson	D6/580
D462,787 S *	9/2002	Scalzott	D25/119	D809,704 S *	2/2018	Klus	D26/142
D468,451 S *	1/2003	Kowalczyk	D25/136	D812,782 S *	3/2018	Dorman	D25/119
D471,992 S *	3/2003	Hughes	D25/122	D830,545 S	10/2018	Loughren	
D473,324 S *	4/2003	Jordal	D25/124	D836,216 S *	12/2018	Roberts	D25/124
D488,570 S *	4/2004	Houssian	D25/136	10,287,774 B2 *	5/2019	Dietzen	E04C 3/08
D489,209 S *	5/2004	Goldberg	D25/119	D851,782 S *	6/2019	Mann	D25/141
D529,630 S *	10/2006	Zarb	D25/119	D855,833 S *	8/2019	Foley	D25/68
D541,953 S *	5/2007	Deleu	D25/122	D855,836 S *	8/2019	Marshall	D25/119
D574,970 S *	8/2008	Taylor	D25/121	D861,195 S *	9/2019	Wilkie	D25/141
D603,065 S *	10/2009	Hamilton	D25/126	D872,931 S *	1/2020	Tremaine	D25/119
D616,035 S *	5/2010	Kosir	D20/44	D879,326 S *	3/2020	Hendry	D25/61
D620,140 S *	7/2010	Vaes	D25/136	10,640,968 B2	5/2020	Teffenhart	
D620,618 S *	7/2010	Teffenhart, Jr.	D25/123	D891,688 S *	7/2020	Tremaine	E04B 1/681 D26/138
D652,986 S *	1/2012	Trzesniowski	D26/138	D905,290 S	12/2020	Jo	
D659,264 S *	5/2012	Wennerholm	D25/136	D931,499 S	9/2021	Wagner	
D666,743 S *	9/2012	Teffenhart, Jr.	D25/124	D931,521 S *	9/2021	Trzesniowski	D26/141
D684,706 S *	6/2013	Nolan	E06B 1/62 D25/55	D945,650 S *	3/2022	Skawska	E01C 11/126 D25/141
D709,629 S *	7/2014	Rice	D25/125	D954,301 S *	6/2022	Hendry	E04C 2/3405 D25/131
D713,054 S *	9/2014	Teffenhart, Jr.	D25/61	D955,001 S *	6/2022	Reid	E04C 2/54 D25/121
D713,978 S *	9/2014	Zombek	D25/141	D956,524 S *	7/2022	Templeman	D25/122
D731,704 S *	6/2015	Klus	D26/138	D957,926 S *	7/2022	Bayless	E04B 1/2403
D733,329 S *	6/2015	Griffiths	D25/119	D958,414 S *	7/2022	Reid	D25/126
D739,562 S	9/2015	Campbell		2003/0145555 A1 *	8/2003	Raskin	E04C 3/40 52/844
D739,564 S *	9/2015	Winslow	D25/164	2007/0074480 A1 *	4/2007	Kleila	E04H 3/16 160/201
D742,546 S *	11/2015	Singh	D25/119	2007/0266671 A1 *	11/2007	Chromy	E04C 3/06 52/844
D746,489 S *	12/2015	Khaychenko	D25/143	2008/0016816 A1 *	1/2008	Kim	E04C 3/06 52/745.18
D748,287 S *	1/2016	Kamil	D25/141	2008/0250737 A1 *	10/2008	Hall	E04C 3/06 52/223.9
D748,288 S *	1/2016	Kamil	D25/141	2009/0178360 A1 *	7/2009	Teffenhart, Jr.	E04C 3/06 52/745.19
D748,289 S *	1/2016	Kamil	D25/143	2010/0281821 A1 *	11/2010	Frobosilo	E04C 3/09 52/846
D748,290 S *	1/2016	Khaychenko	D25/143	2011/0036050 A1 *	2/2011	Callahan	E04C 3/07 52/843
D748,825 S *	2/2016	Lara	D25/143	2011/0036051 A1 *	2/2011	Callahan	E04C 5/065 52/843
D750,806 S *	3/2016	Singh	D25/119	2011/0036052 A1 *	2/2011	Callahan	E04C 3/07 52/843
D754,881 S *	4/2016	Hatch	D25/136	2014/0000184 A1 *	1/2014	Armstrong	E04C 3/02 52/657
D759,846 S *	6/2016	Marshall	D25/124	2020/0131790 A1 *	4/2020	Lesage	E04C 3/06
D762,462 S *	8/2016	Anderson	D25/55	2020/0224407 A1 *	7/2020	Ng	E04B 1/2403
D762,878 S *	8/2016	Hatch	D25/136	2020/0248443 A1 *	8/2020	Bates	E04C 3/07
D767,168 S *	9/2016	Hatch	D25/136	2020/0347599 A1 *	11/2020	Lukito	E04C 3/07
D767,169 S *	9/2016	Hatch	D25/136				
D771,477 S *	11/2016	Anderson	D25/55				
9,494,235 B2 *	11/2016	Winslow	B29D 99/0053				
D776,302 S *	1/2017	Baker	D25/136				
D781,466 S *	3/2017	Winslow	D25/164				
D787,093 S *	5/2017	Singh	D25/121				
D791,342 S *	7/2017	Teffenhart, Jr.	D25/61				
D795,458 S *	8/2017	Marshall	D25/125				
D795,463 S *	8/2017	Marshall	D25/125				
D795,468 S *	8/2017	Kamil	D25/141				
D795,469 S *	8/2017	Kamil	D25/141				
D797,956 S *	9/2017	Shaw	D25/136				
D800,347 S *	10/2017	Blick	D25/119				

* cited by examiner

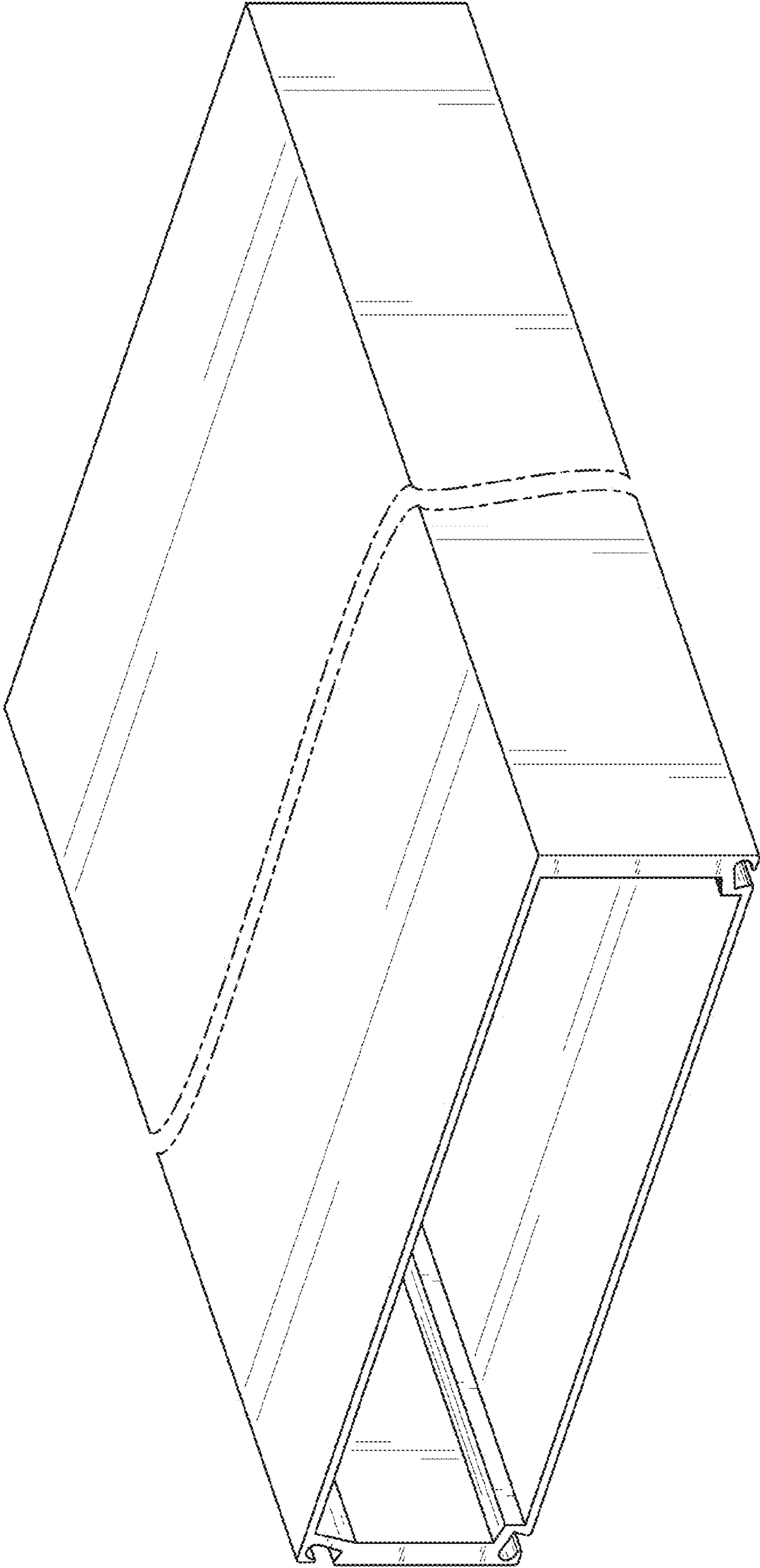


FIG. 1

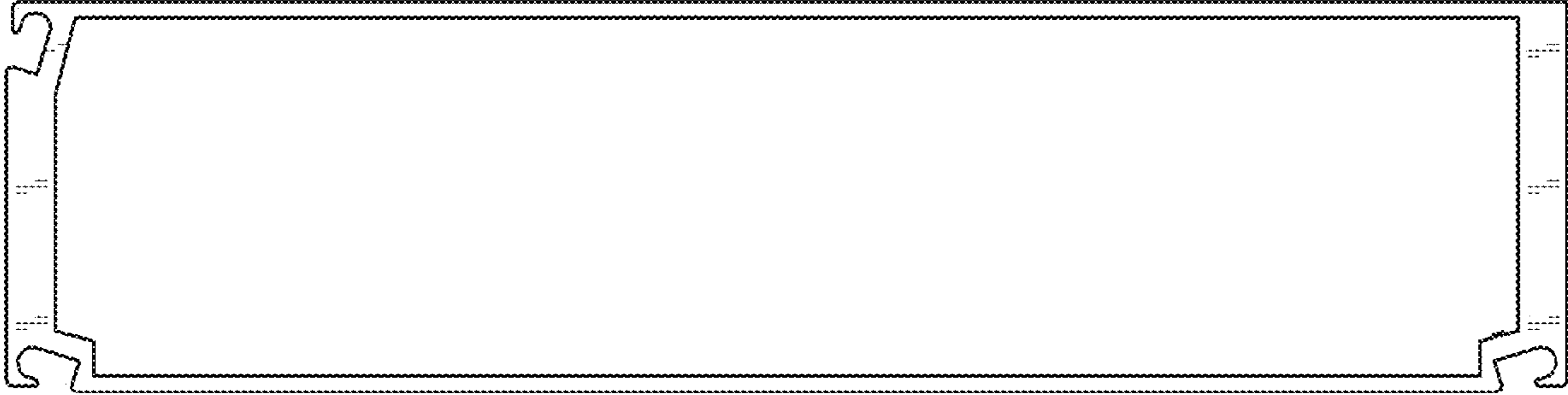


FIG. 2

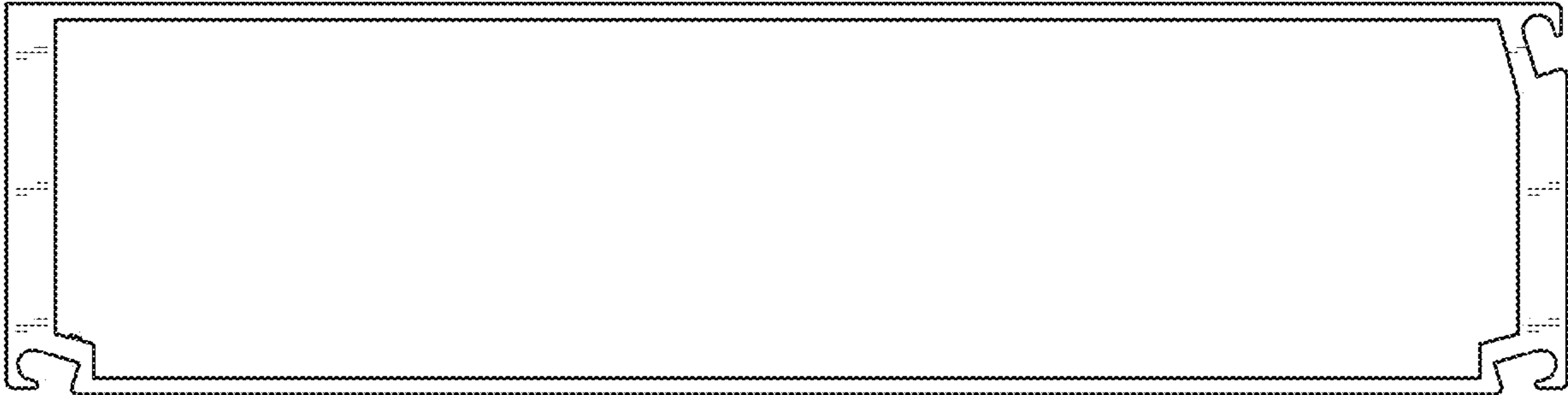


FIG. 3

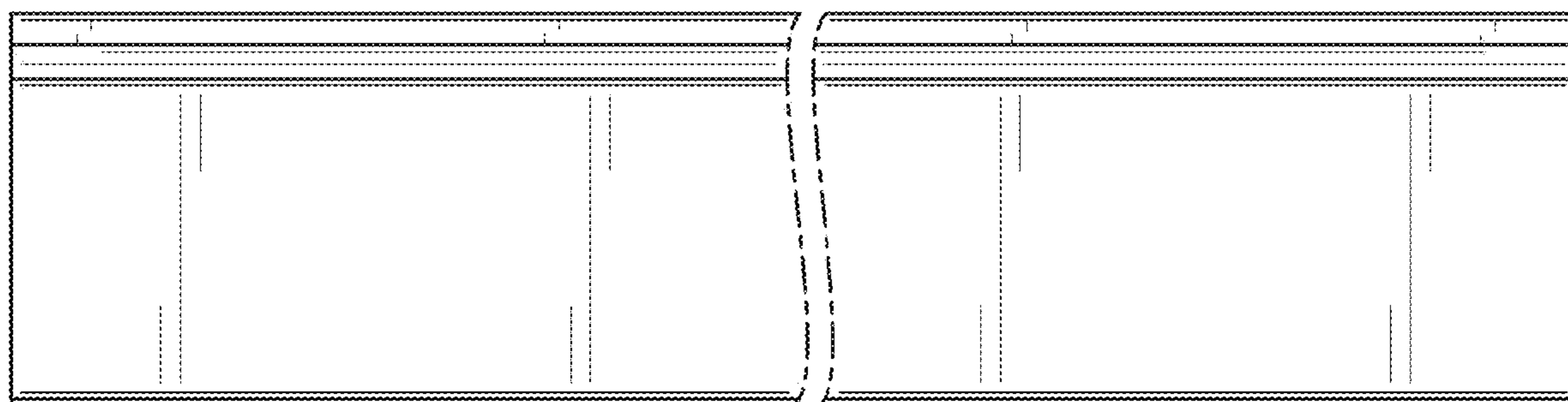


FIG. 4

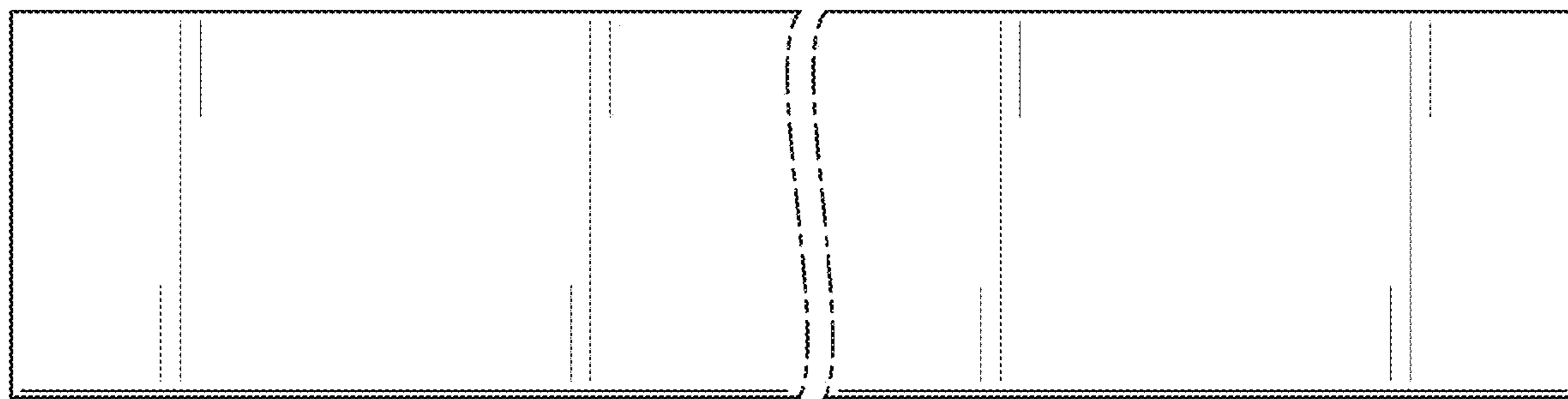


FIG. 5

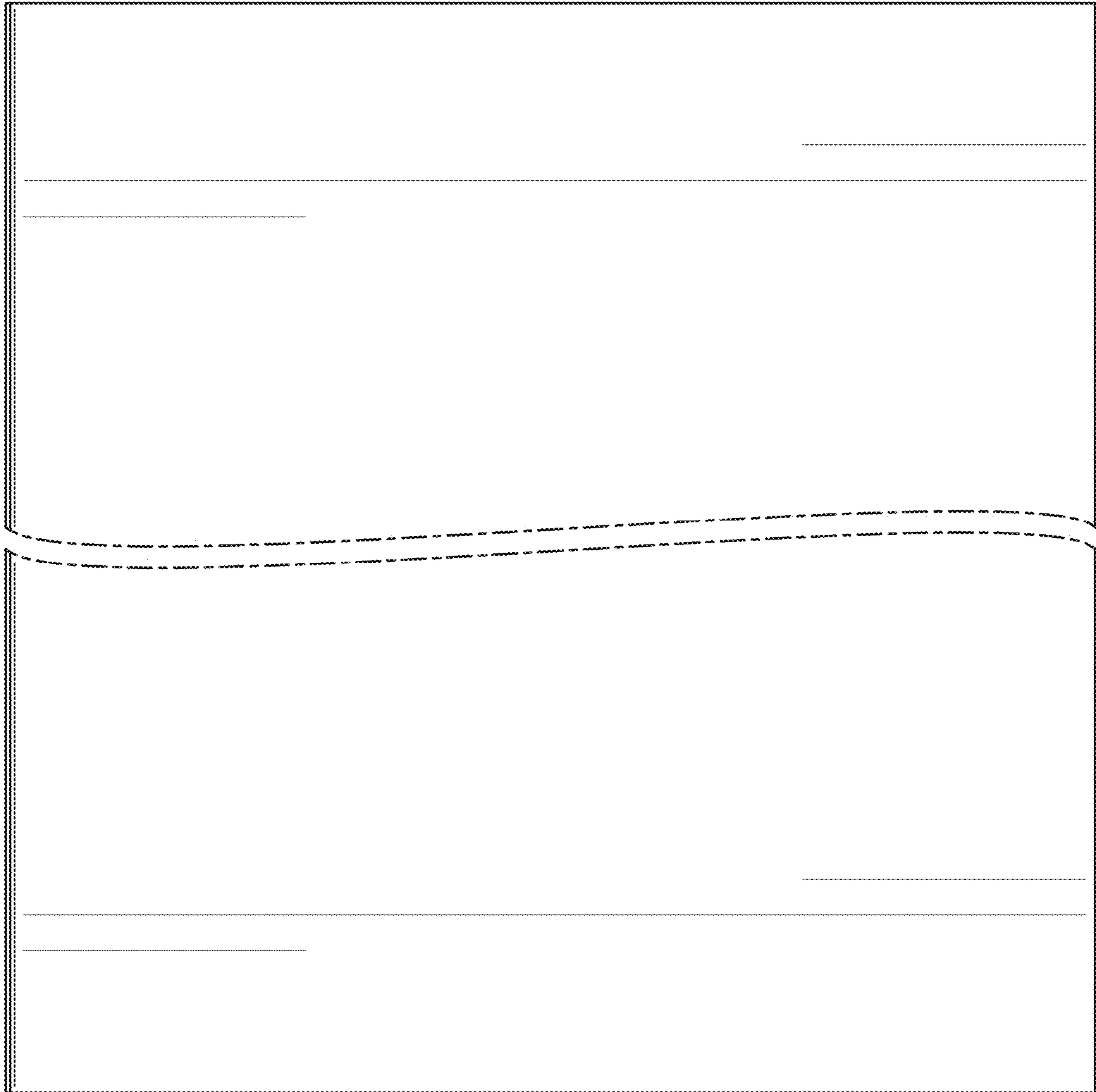


FIG. 6

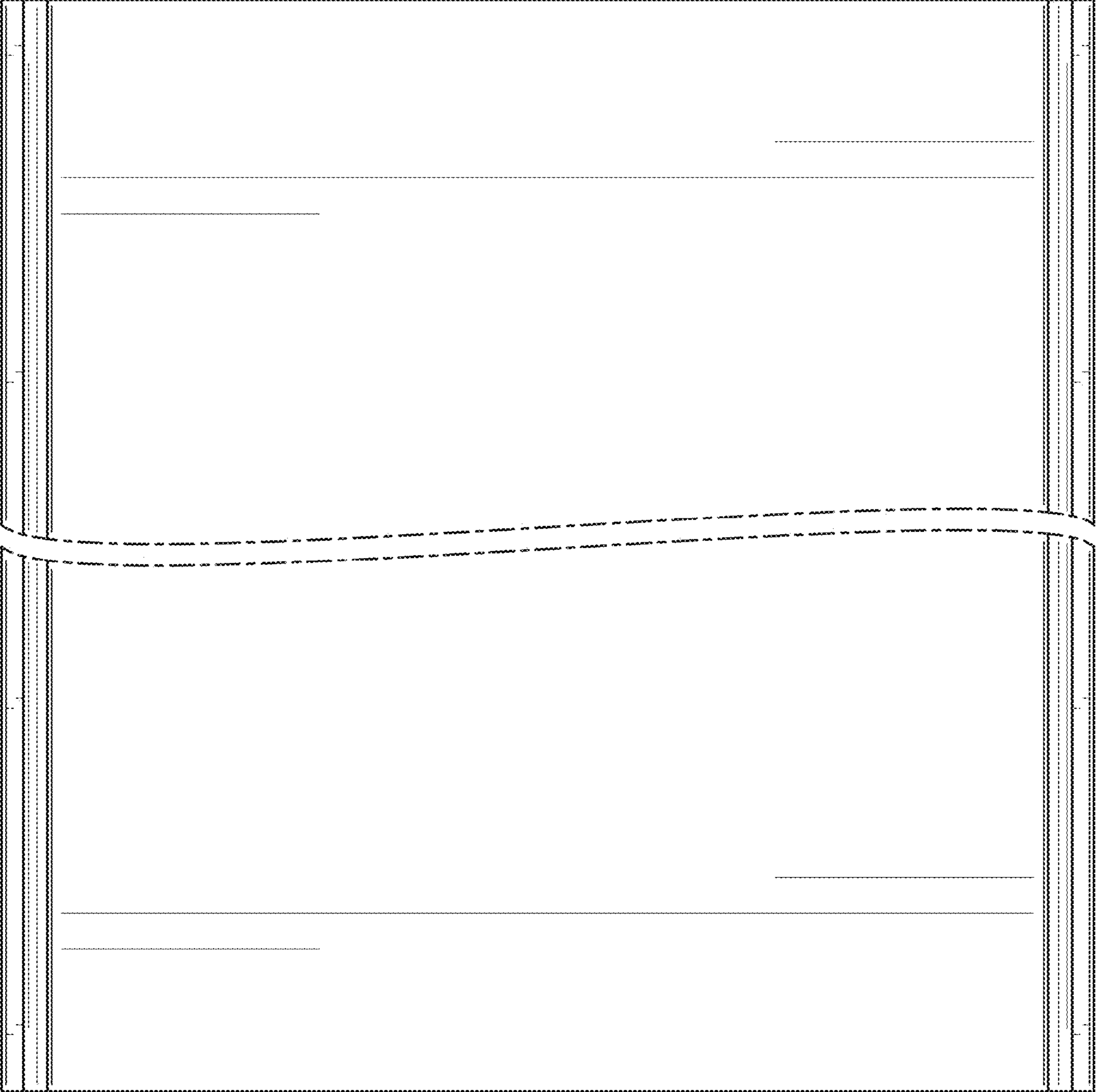


FIG. 7