



US00D984678S

(12) **United States Design Patent**  
**Laaksonen**

(10) **Patent No.:** **US D984,678 S**

(45) **Date of Patent:** **\*\* Apr. 25, 2023**

(54) **STRUT TUBING**

(71) Applicant: **Kevin Laaksonen**, Kalamazoo, MI  
(US)

(72) Inventor: **Kevin Laaksonen**, Kalamazoo, MI  
(US)

(\*\*) Term: **15 Years**

(21) Appl. No.: **29/734,379**

(22) Filed: **May 12, 2020**

(51) **LOC (14) Cl.** ..... **25-01**

(52) **U.S. Cl.**  
USPC ..... **D25/124**

(58) **Field of Classification Search**  
USPC ..... D25/119-125, 126, 60  
CPC ..... E04H 2017/1452; E04C 2003/0434; E04C  
2003/0482  
See application file for complete search history.

(56) **References Cited**

**U.S. PATENT DOCUMENTS**

D473,661 S \* 4/2003 Kim ..... D25/60  
D697,233 S \* 1/2014 Herman ..... D25/126  
9,816,286 B2 \* 11/2017 Cavanagh ..... E04H 17/161

D831,465 S \* 10/2018 Macdonald ..... D25/124  
D895,848 S \* 9/2020 Helms ..... D25/124  
D932,656 S \* 10/2021 Lai ..... D25/126  
11,313,019 B2 \* 4/2022 Tundal ..... C22F 1/05

\* cited by examiner

*Primary Examiner* — Gino Colan

(74) *Attorney, Agent, or Firm* — Oppenhuizen Law PLC;  
David L. Oppenhuizen

(57) **CLAIM**

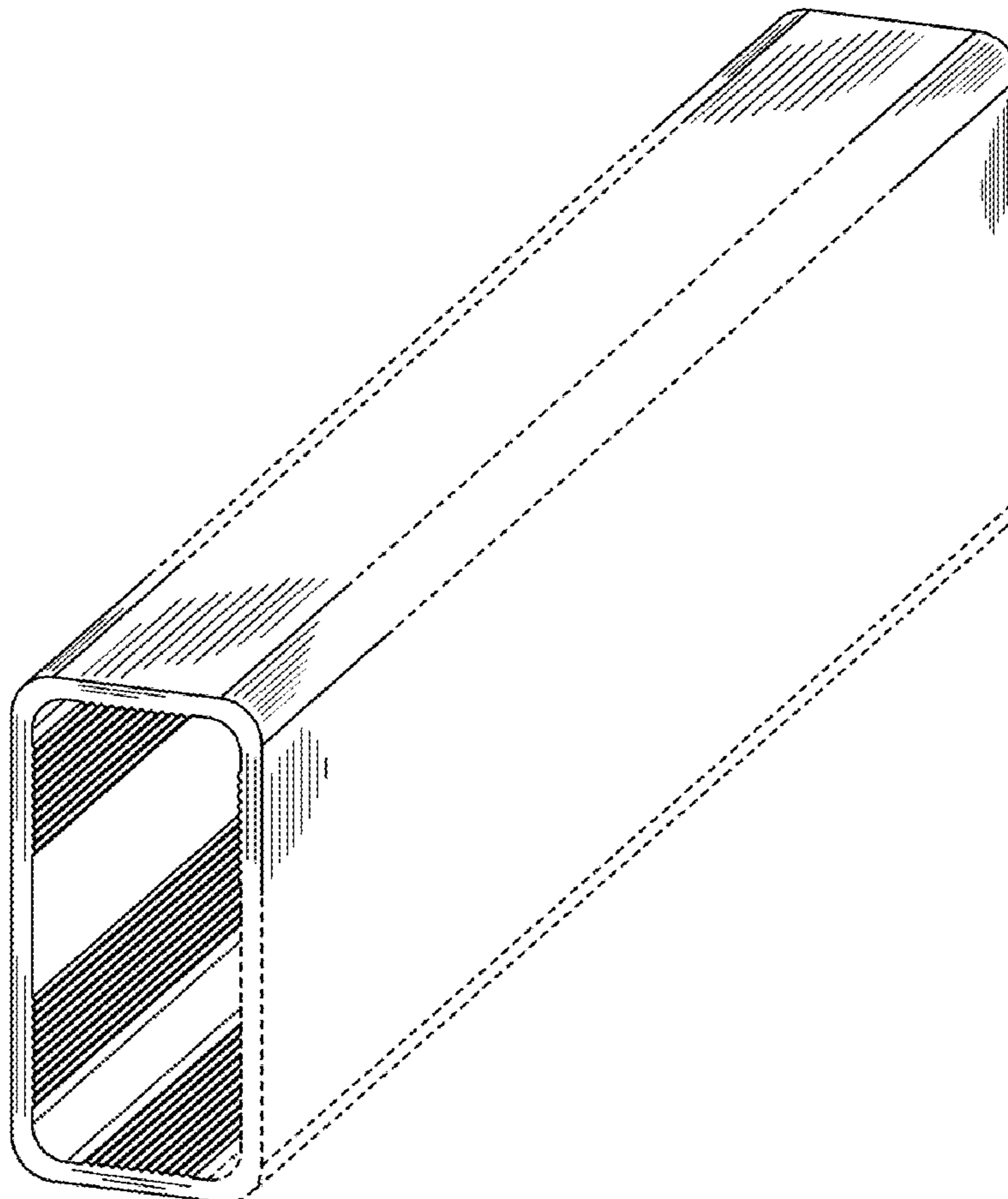
The ornamental design for a strut tubing, as shown and described.

**DESCRIPTION**

FIG. 1 is a front perspective view of a strut tubing showing the new design;  
FIG. 2 is a left side view thereof;  
FIG. 3 is a front view;  
FIG. 4 is a right side view;  
FIG. 5 is a rear view;  
FIG. 6 is a top view; and,  
FIG. 7 is a bottom view.

The dashed broken lines represent structure or features that form no part of the claimed design. The surface shading is intended to depict surface contour and forms no part of the claimed design.

**1 Claim, 4 Drawing Sheets**



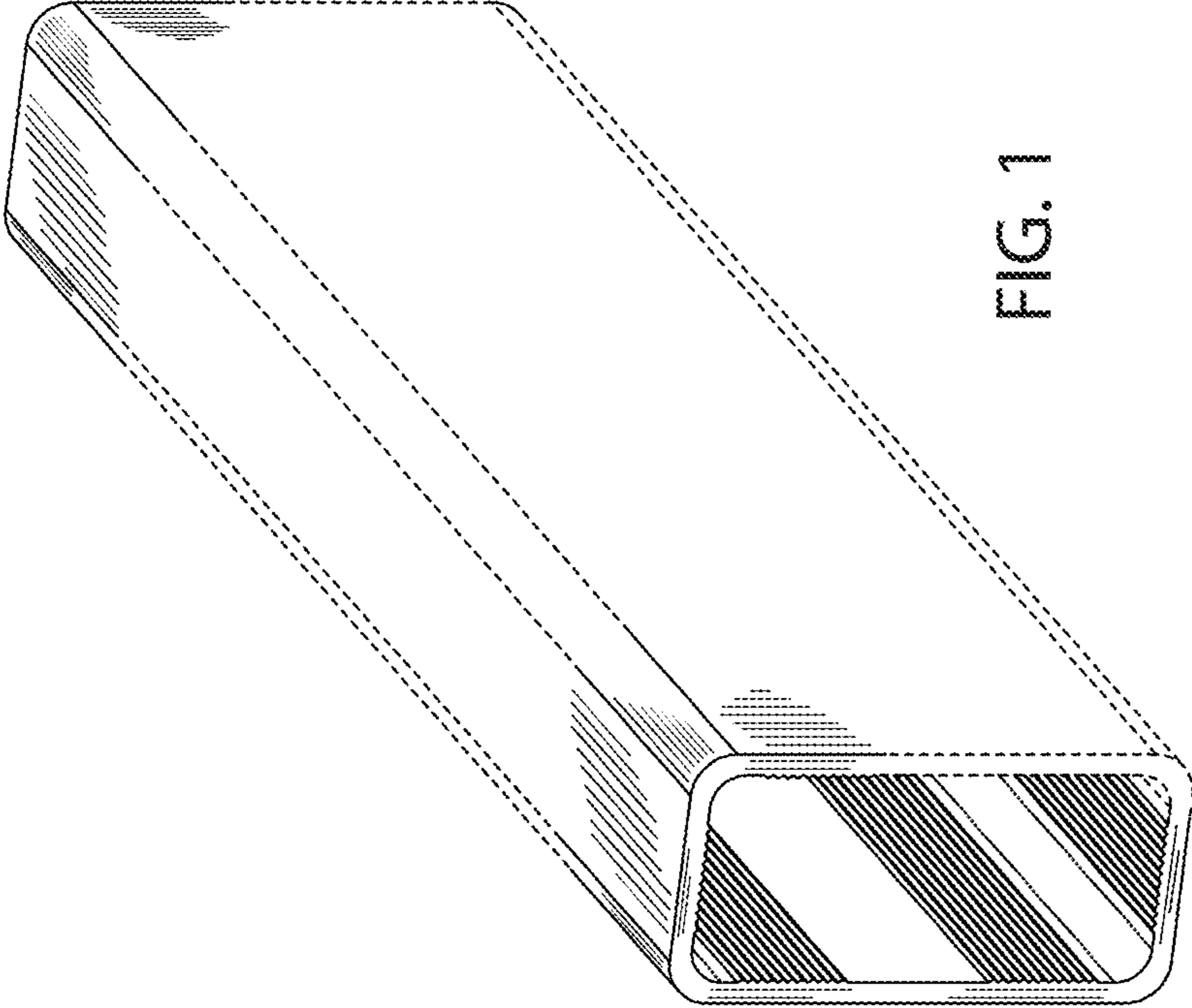


FIG. 1

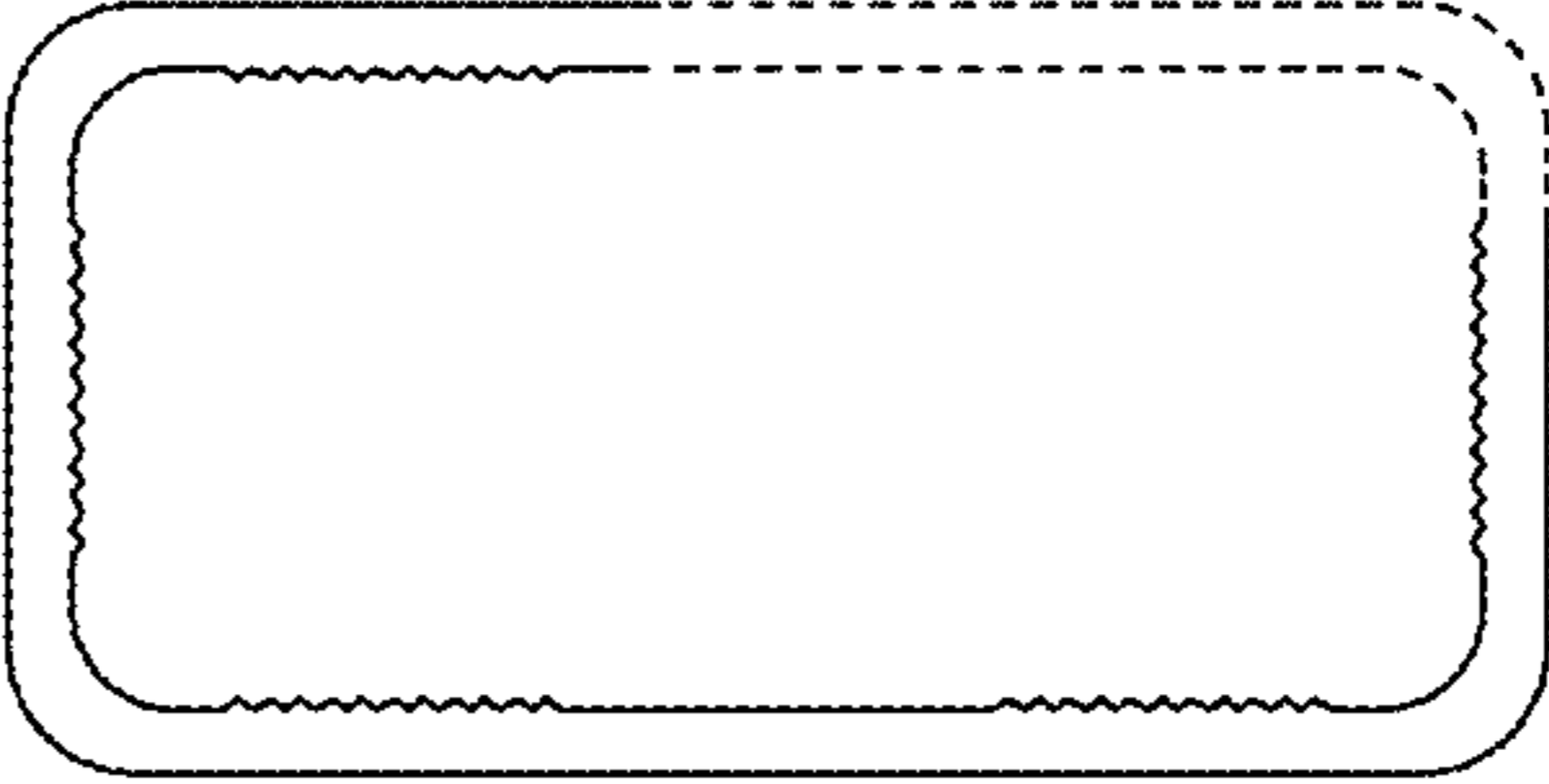


FIG. 2

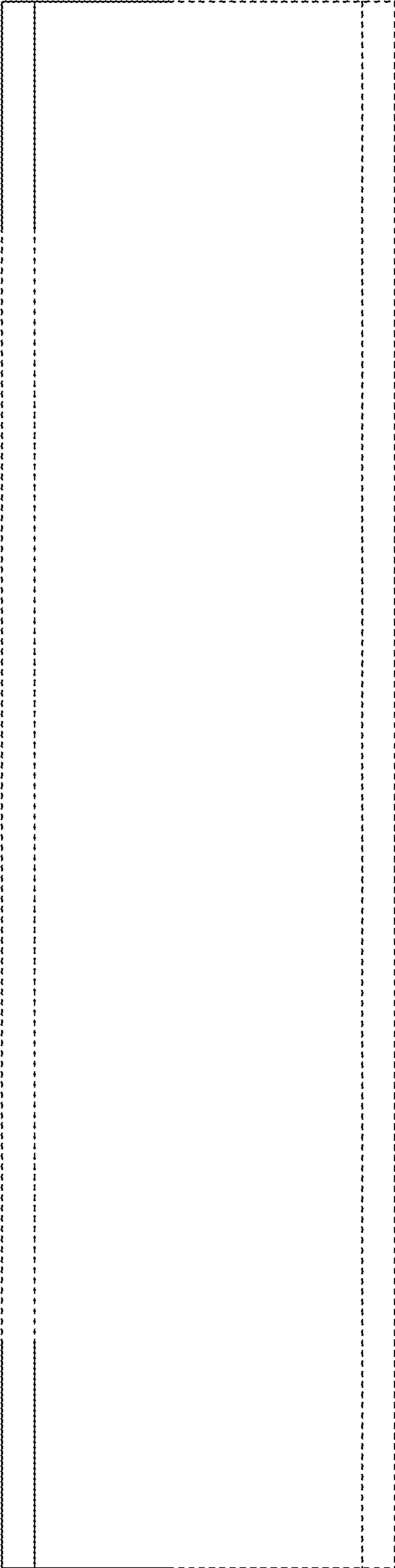


FIG. 3



FIG. 4

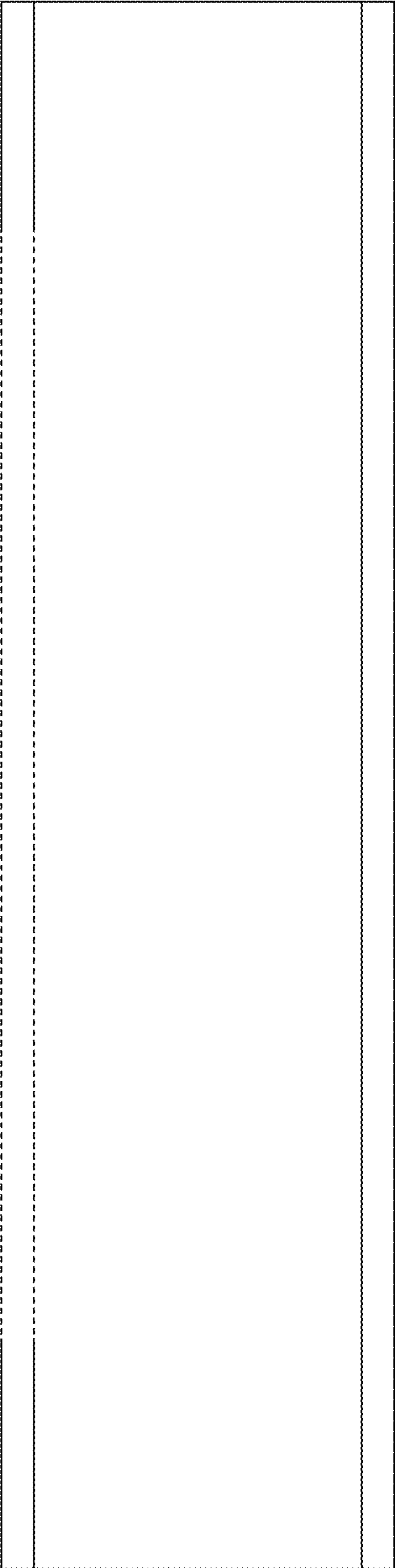


FIG. 5

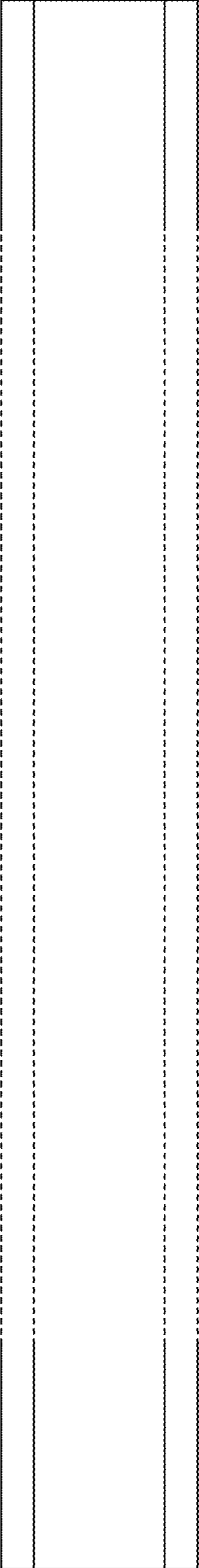


FIG. 6

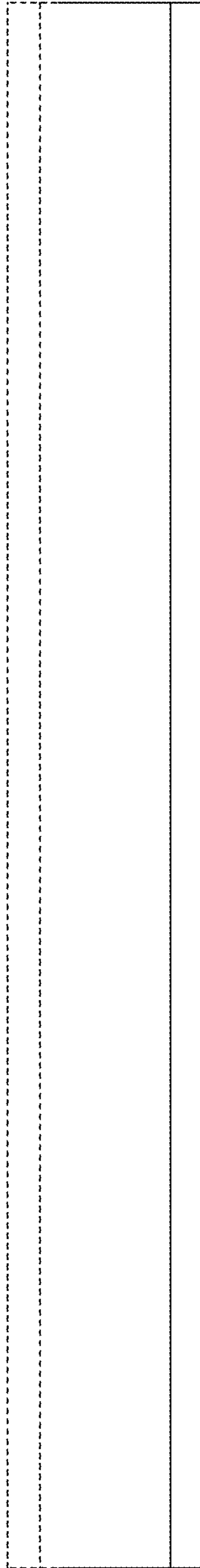


FIG. 7