



US00D984676S

(12) **United States Design Patent**
Gran et al.

(10) **Patent No.:** **US D984,676 S**
(45) **Date of Patent:** **** Apr. 25, 2023**

(54) **BUILDING BLOCK**

FOREIGN PATENT DOCUMENTS

(71) Applicant: **Stone Strong LLC**, Omaha, NE (US)

KR 300882147.0000 * 11/2016

(72) Inventors: **John J. Gran**, Elkhorn, NE (US);
Daniel J. Thiele, Omaha, NE (US)

OTHER PUBLICATIONS

(73) Assignee: **Stone Strong LLC**, Omaha, NE (US)

3d46-35196967-D150_Details_-_Metric https://www.stonestrong-com-files.s3.amazonaws.com/3d46-35196967-D150_Details_-_Metric.pdf?versionId=IMbkifFU44YgdygqUPmrrKaGwoj21x7 Nov. 10, 2022 (Year: 2022).*

(**) Term: **15 Years**

* cited by examiner

(21) Appl. No.: **29/788,616**

(22) Filed: **Jul. 3, 2021**

Primary Examiner — Leanne Was-Englehart

(51) **LOC (14) Cl.** **25-01**

(74) *Attorney, Agent, or Firm* — Martin & Associates, LLC; Derek P. Martin

(52) **U.S. Cl.**

USPC **D25/114**

(58) **Field of Classification Search**

USPC D25/112–118

CPC E04B 2/08; E04B 2/14; E04B 2/18; E04B 2/28; E04B 2/30; E04B 2/54; E02D 29/02; E02D 29/0225; E02D 29/0233; E02D 29/025; E02D 29/0266; E02D 5/00; E02D 17/20; E04C 1/39

See application file for complete search history.

(57) **CLAIM**

The ornamental design for a building block, as shown and described.

DESCRIPTION

FIG. 1 is a perspective view of the building block showing the new design;

FIG. 2 is a top view thereof;

FIG. 3 is a bottom view thereof;

FIG. 4 is a right side view thereof;

FIG. 5 is a left side view thereof;

FIG. 6 is a front view thereof;

FIG. 7 is a back view thereof;

FIG. 8 is a first perspective view thereof shown interlocking back-to-back with a similar block in broken lines;

FIG. 9 is a second perspective view thereof shown interlocking back-to-back with a similar block in broken lines; and,

FIG. 10 is a top view thereof shown interlocking back-to-back with a similar block in broken lines.

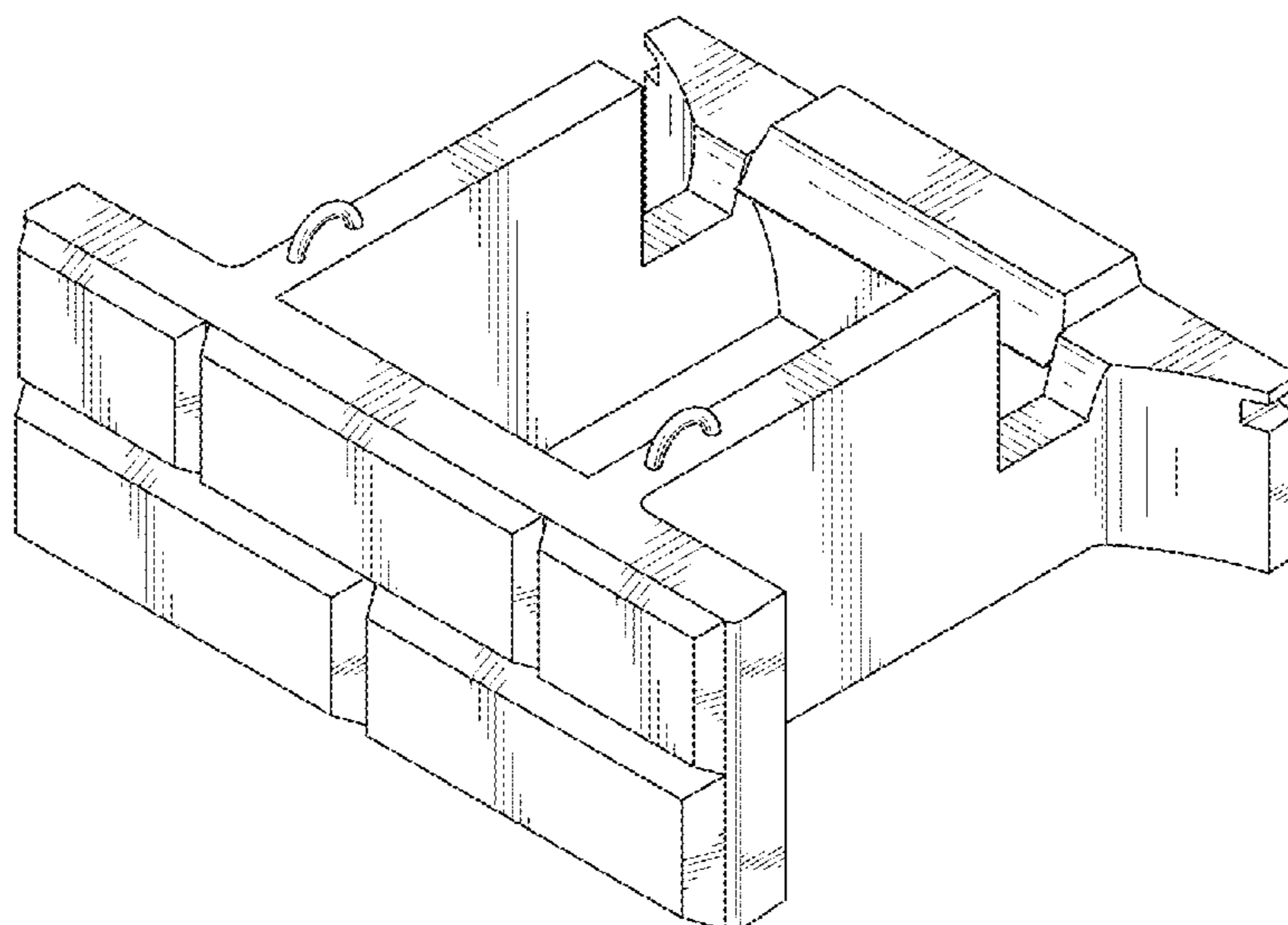
Wherein the broken lines in FIGS. 8-10 form no part of the claimed design.

(56) **References Cited**

U.S. PATENT DOCUMENTS

6,796,098	B2	9/2004	Hampton	
7,073,304	B2	7/2006	Hampton et al.	
D575,413	S *	8/2008	Hammer	D25/113
D602,171	S *	10/2009	Rodebaugh	D25/113
7,645,098	B1 *	1/2010	Rainey	E02D 17/20
				405/286
D737,468	S *	8/2015	Karau	D25/113
D739,041	S *	9/2015	Karau	D25/113
D739,561	S *	9/2015	Karau	D25/113
D773,693	S *	12/2016	Karau	D25/113
D846,760	S *	4/2019	Lundell	D25/114
D857,240	S *	8/2019	Johnson	D25/113
D866,004	S *	11/2019	Johnson	D25/113
D866,005	S *	11/2019	Johnson	D25/113
2014/0373479	A1 *	12/2014	Karau	E04C 1/00
				249/102

1 Claim, 6 Drawing Sheets



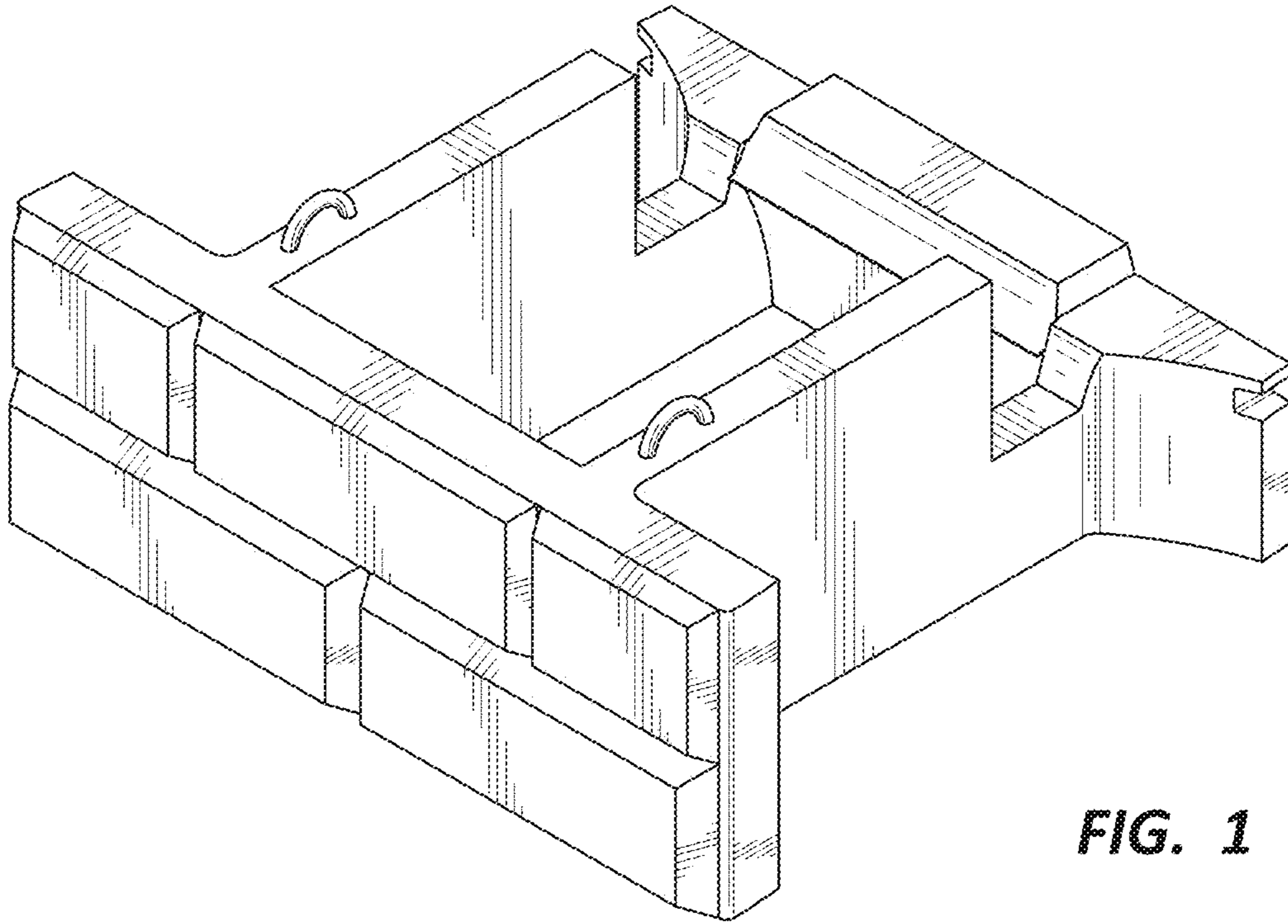


FIG. 1

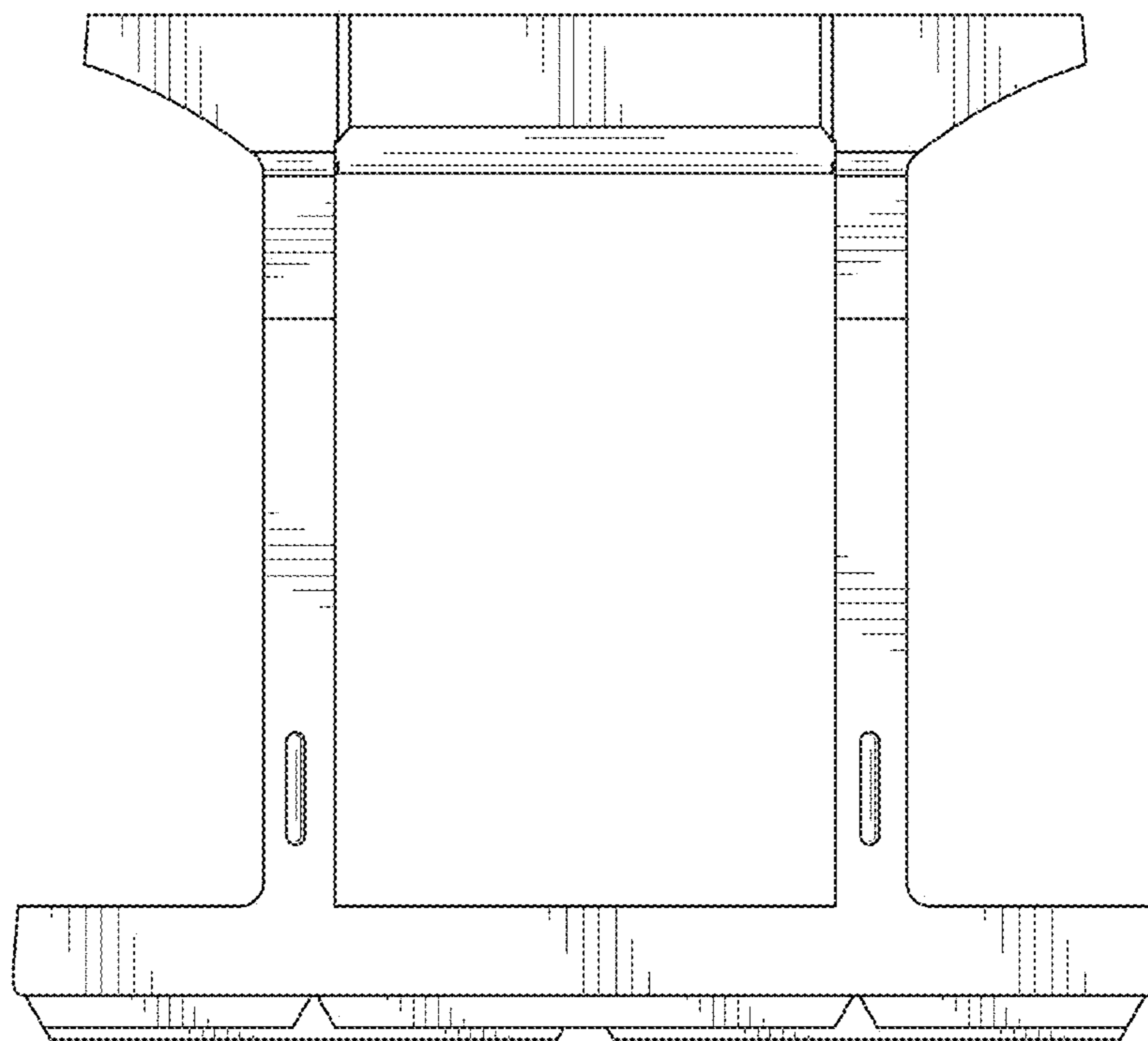


FIG. 2

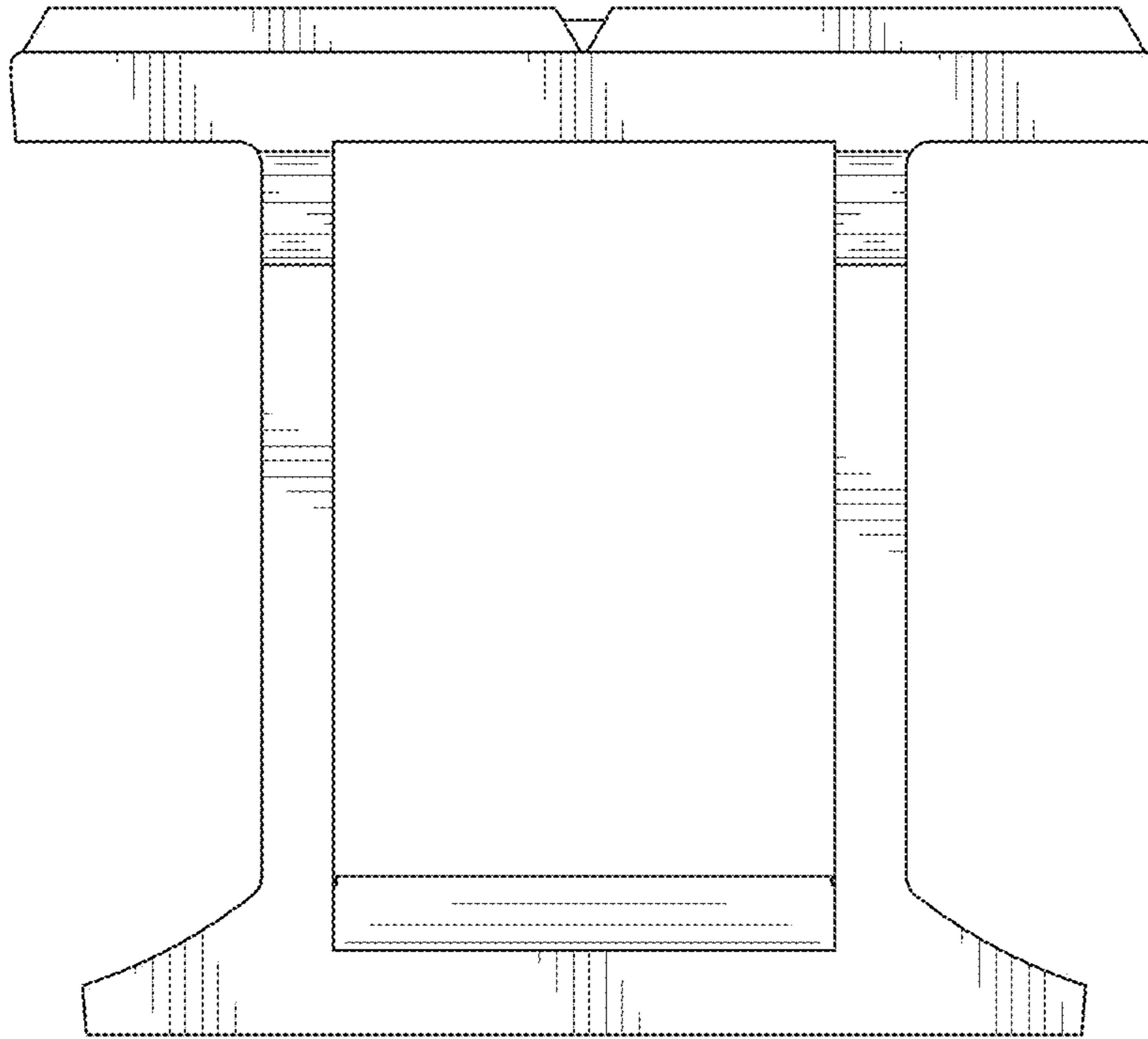


FIG. 3

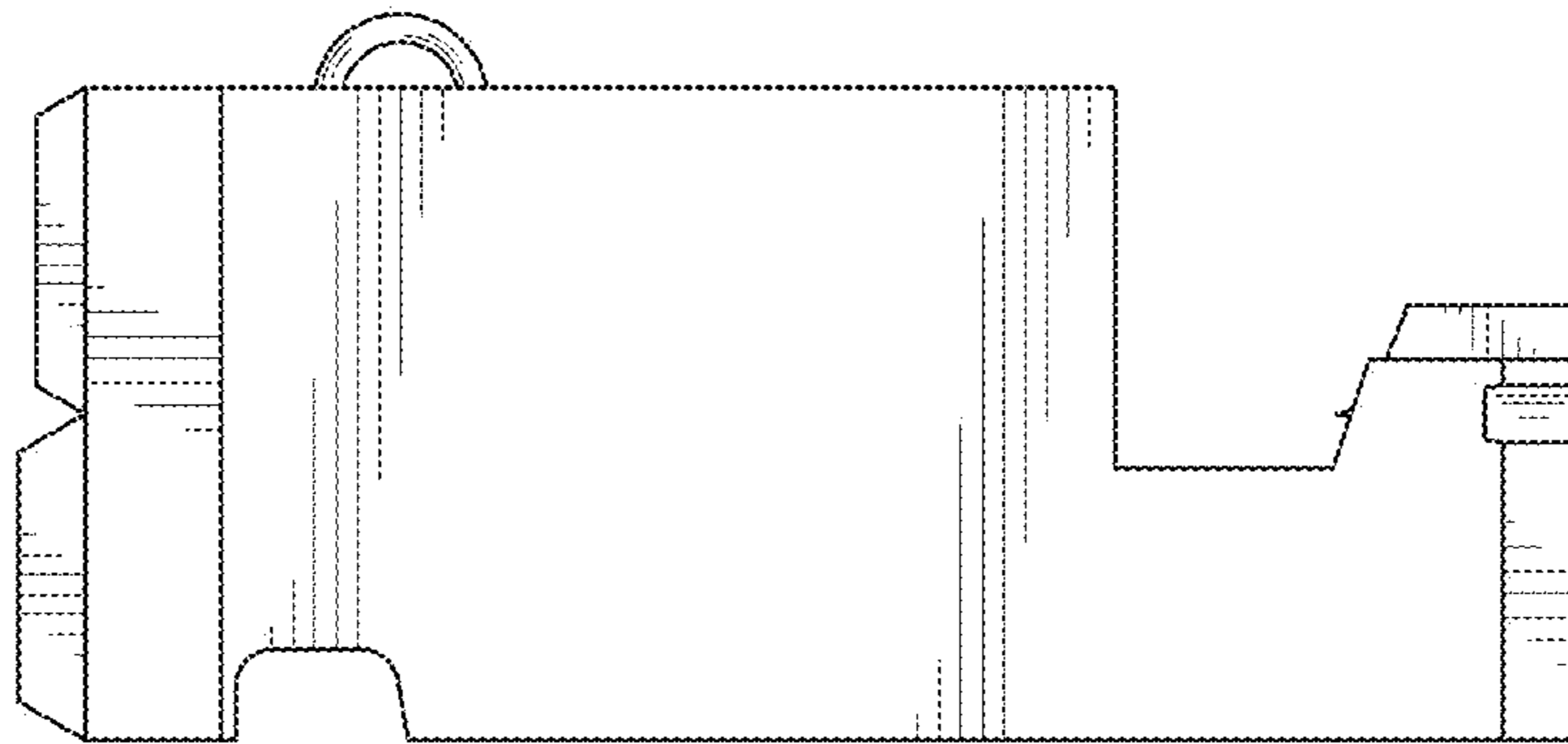


FIG. 4

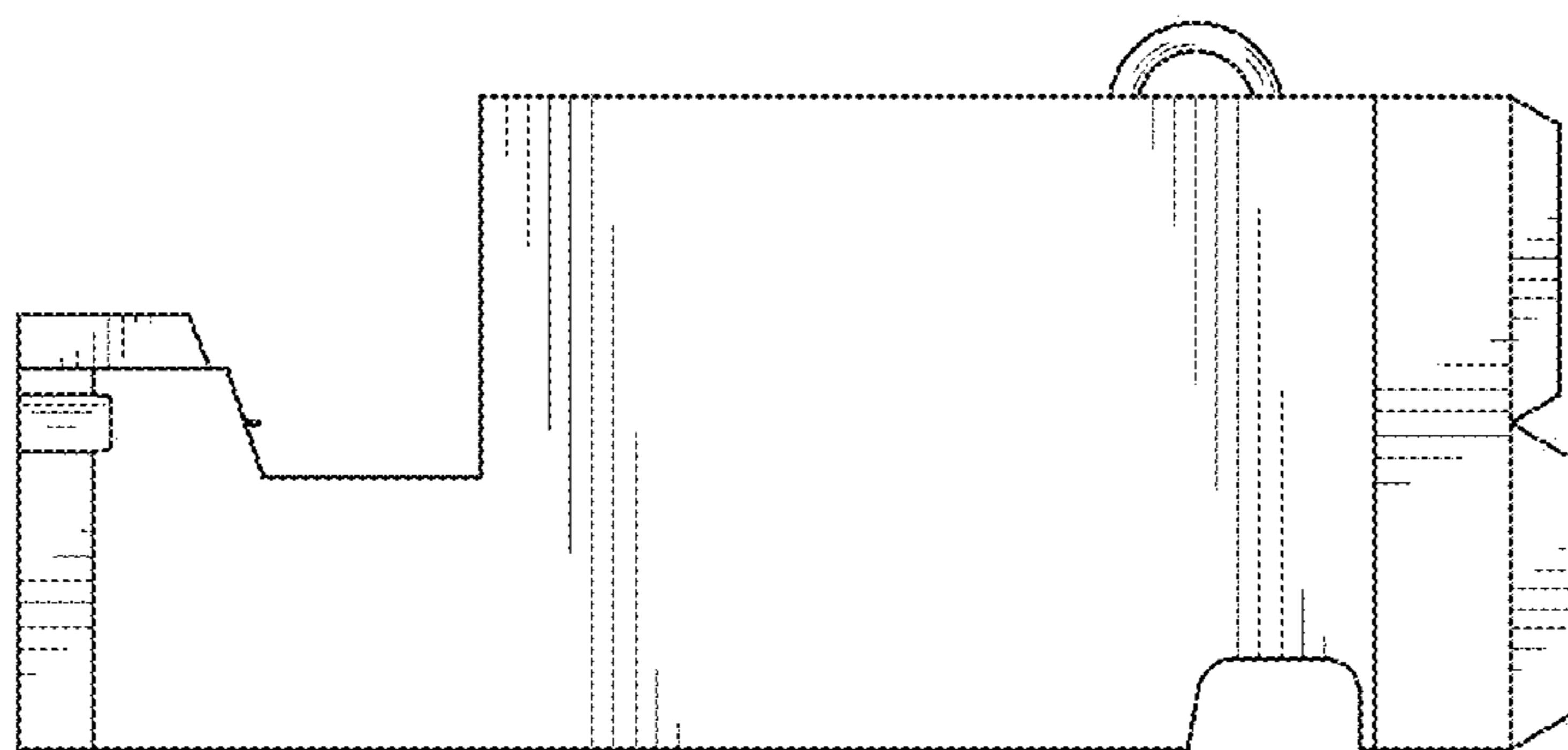


FIG. 5

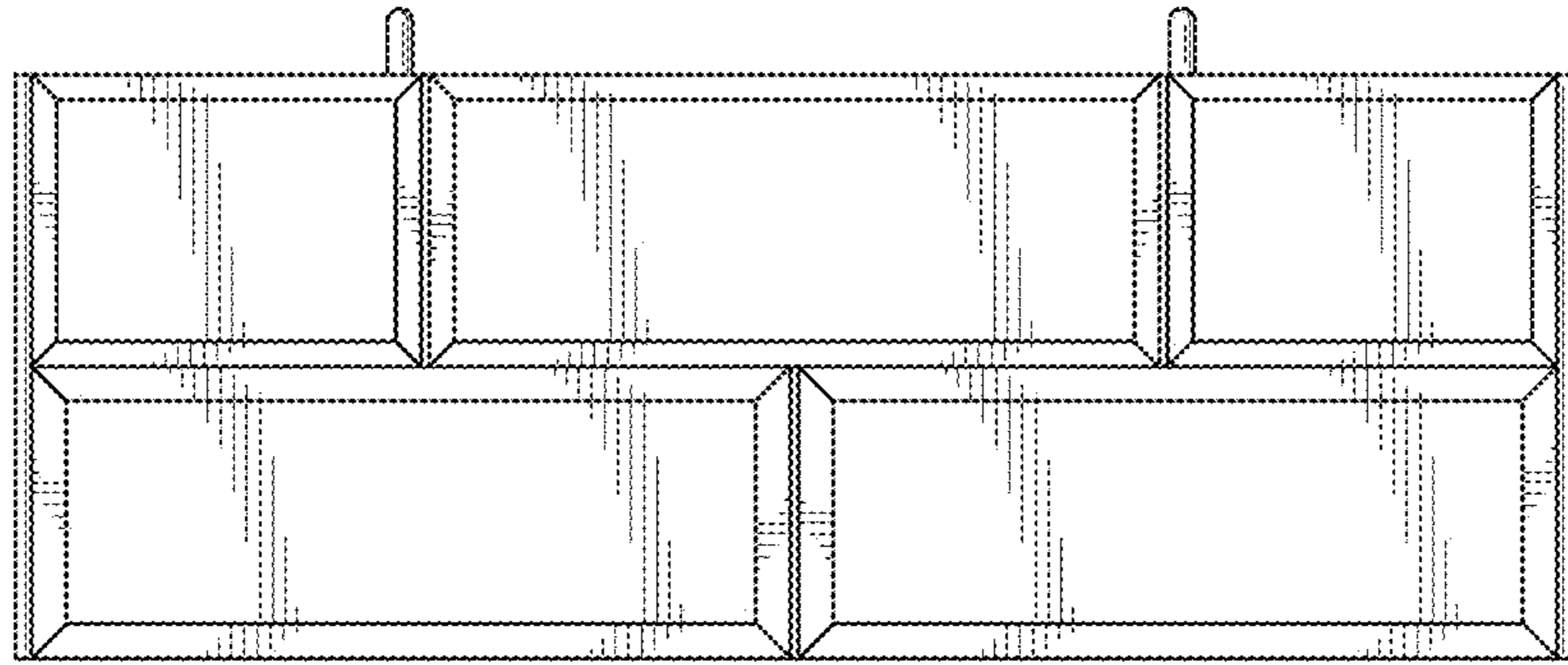


FIG. 6

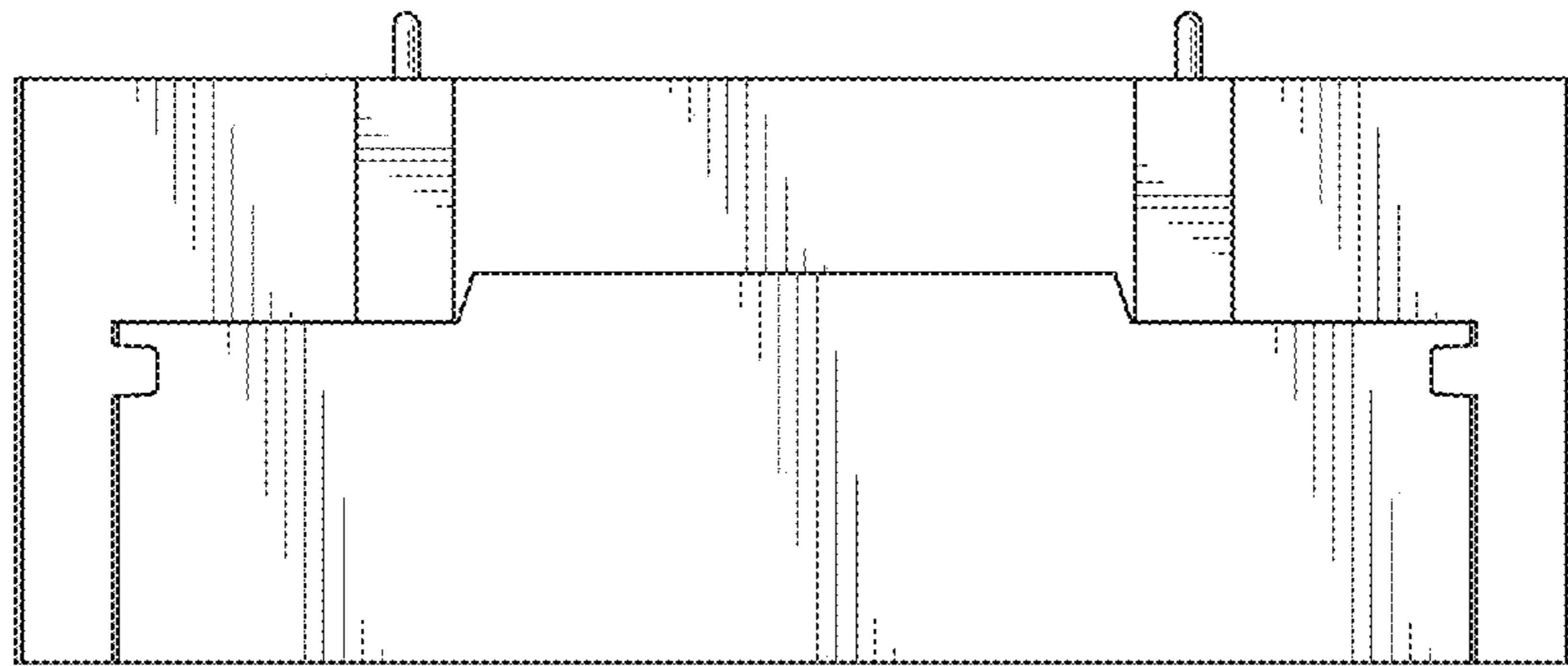


FIG. 7

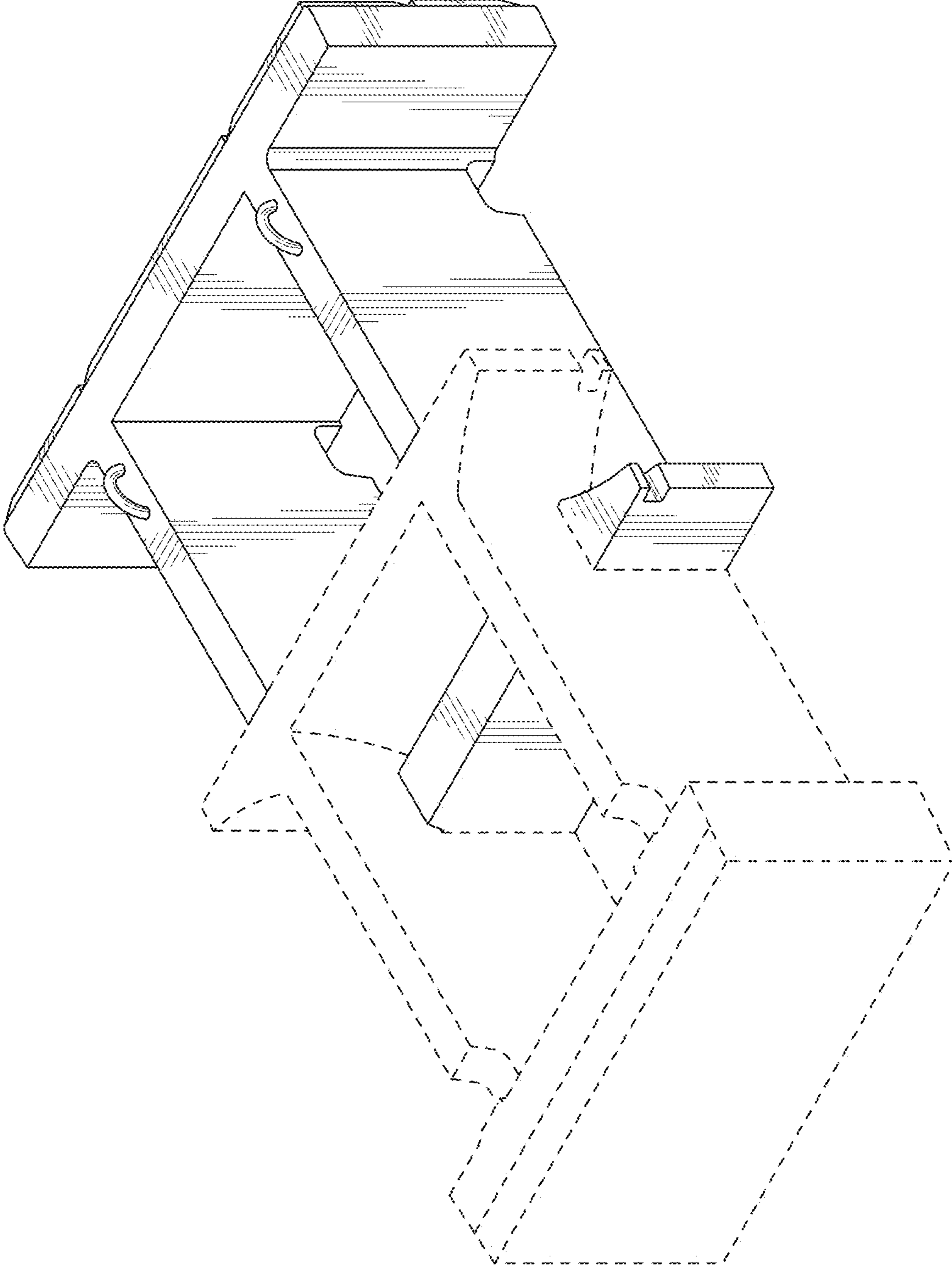


FIG. 8

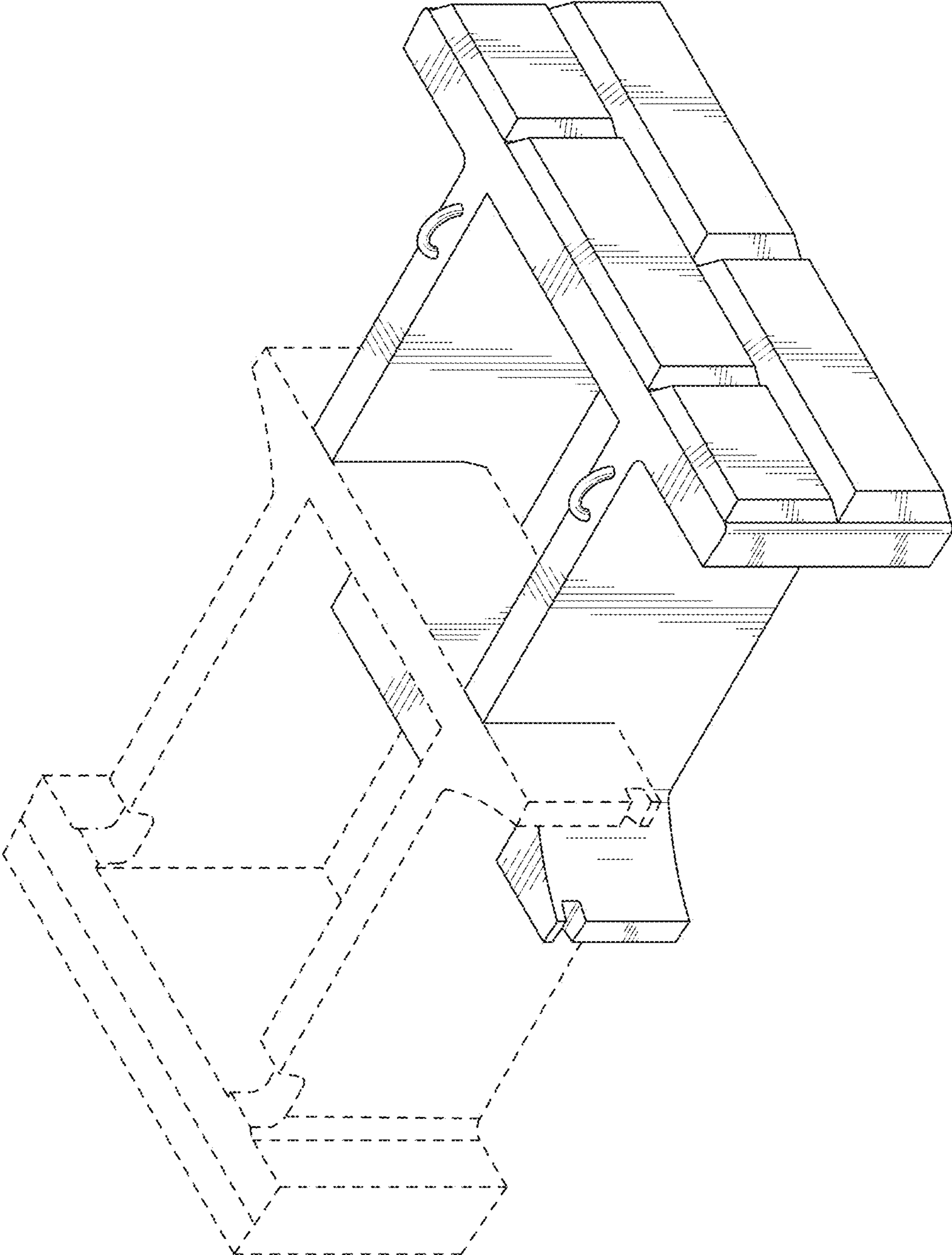


FIG. 9

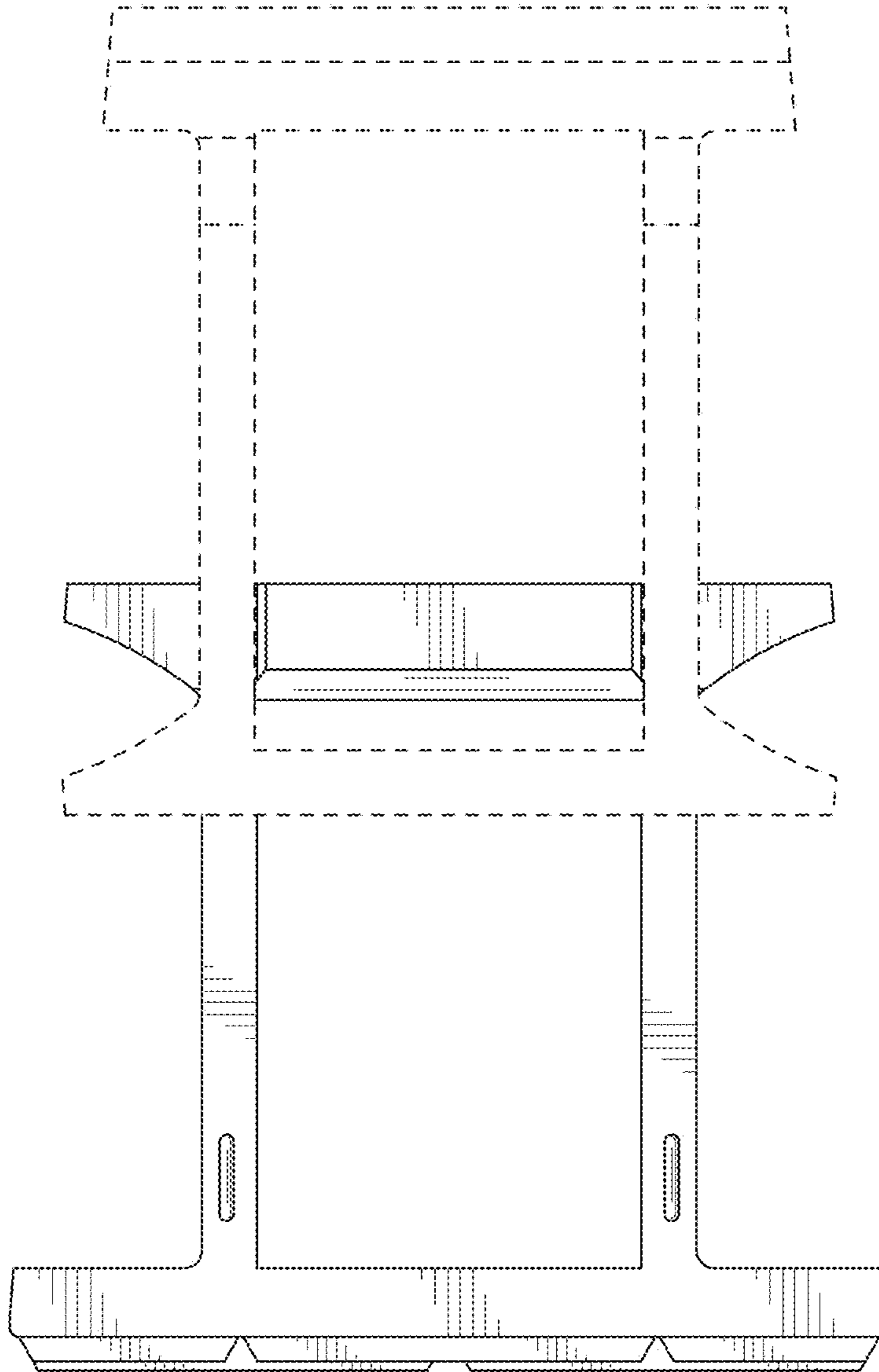


FIG. 10