



US00D984675S

(12) **United States Design Patent**
Duan

(10) **Patent No.:** **US D984,675 S**
(45) **Date of Patent:** **** Apr. 25, 2023**

(54) **SEALING STRIP**
(71) Applicant: **Yongli Duan**, Inner Mongolia
Autonomous Region (CN)
(72) Inventor: **Yongli Duan**, Inner Mongolia
Autonomous Region (CN)

5,060,439 A * 10/1991 Clements E04B 1/6815
404/54
6,189,273 B1 * 2/2001 Larson E04F 19/022
52/287.1
6,219,982 B1 * 4/2001 Eyring E04B 1/6803
52/471
D577,445 S 9/2008 Durrant
D689,200 S * 9/2013 Elizarraras D25/55

(**) Term: **15 Years**

* cited by examiner

(21) Appl. No.: **29/854,354**

Primary Examiner — Doris Clark

(22) Filed: **Sep. 23, 2022**

(30) **Foreign Application Priority Data**

Aug. 15, 2022 (CN) 202230530474.2

(51) **LOC (14) Cl.** **25-02**

(52) **U.S. Cl.**
USPC **D25/55**

(58) **Field of Classification Search**
USPC D25/55, 60, 61, 164
CPC E04B 1/6803; E04B 1/6815; E04F
15/02441; E04F 19/02; E04F 19/022;
E04F 19/04; E04F 19/062
See application file for complete search history.

(56) **References Cited**

U.S. PATENT DOCUMENTS

4,141,189 A * 2/1979 Borjeson E04B 1/6803
52/396.06
4,411,112 A * 10/1983 Golden E04B 1/6803
52/287.1

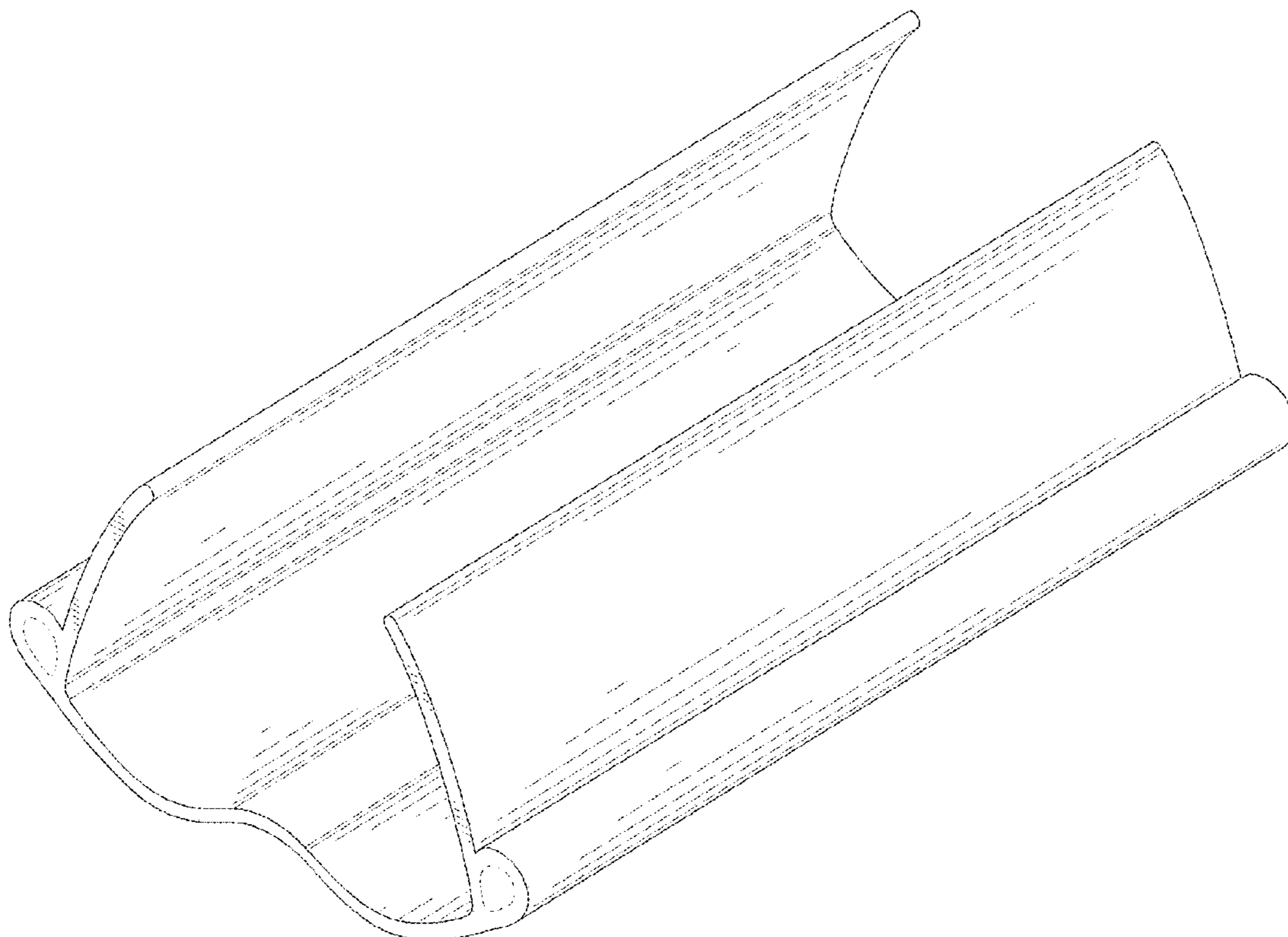
(57) **CLAIM**

The ornamental design for a sealing strip, as shown and described.

DESCRIPTION

FIG. 1 is a front and top perspective view of a sealing strip, showing my new design;
FIG. 2 is a rear and bottom perspective view thereof;
FIG. 3 is a front elevation view thereof;
FIG. 4 is a rear elevation view thereof;
FIG. 5 is a left side elevation view thereof;
FIG. 6 is a right side elevation view thereof;
FIG. 7 is a top plan view thereof; and,
FIG. 8 is a bottom plan view thereof.
The broken lines in the figures illustrate portions of the sealing strip that form no part of the claimed design.

1 Claim, 8 Drawing Sheets



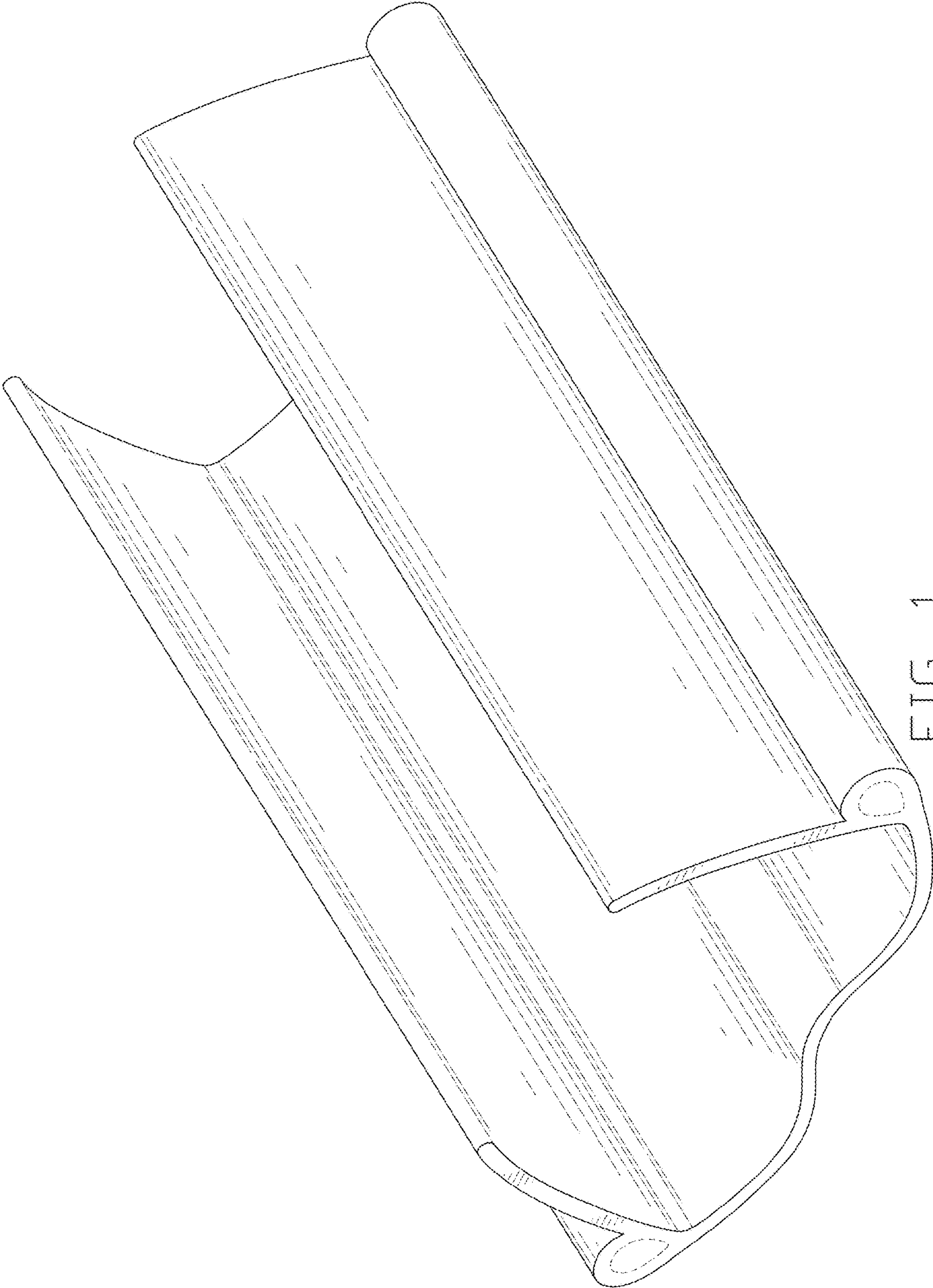


FIG. 1

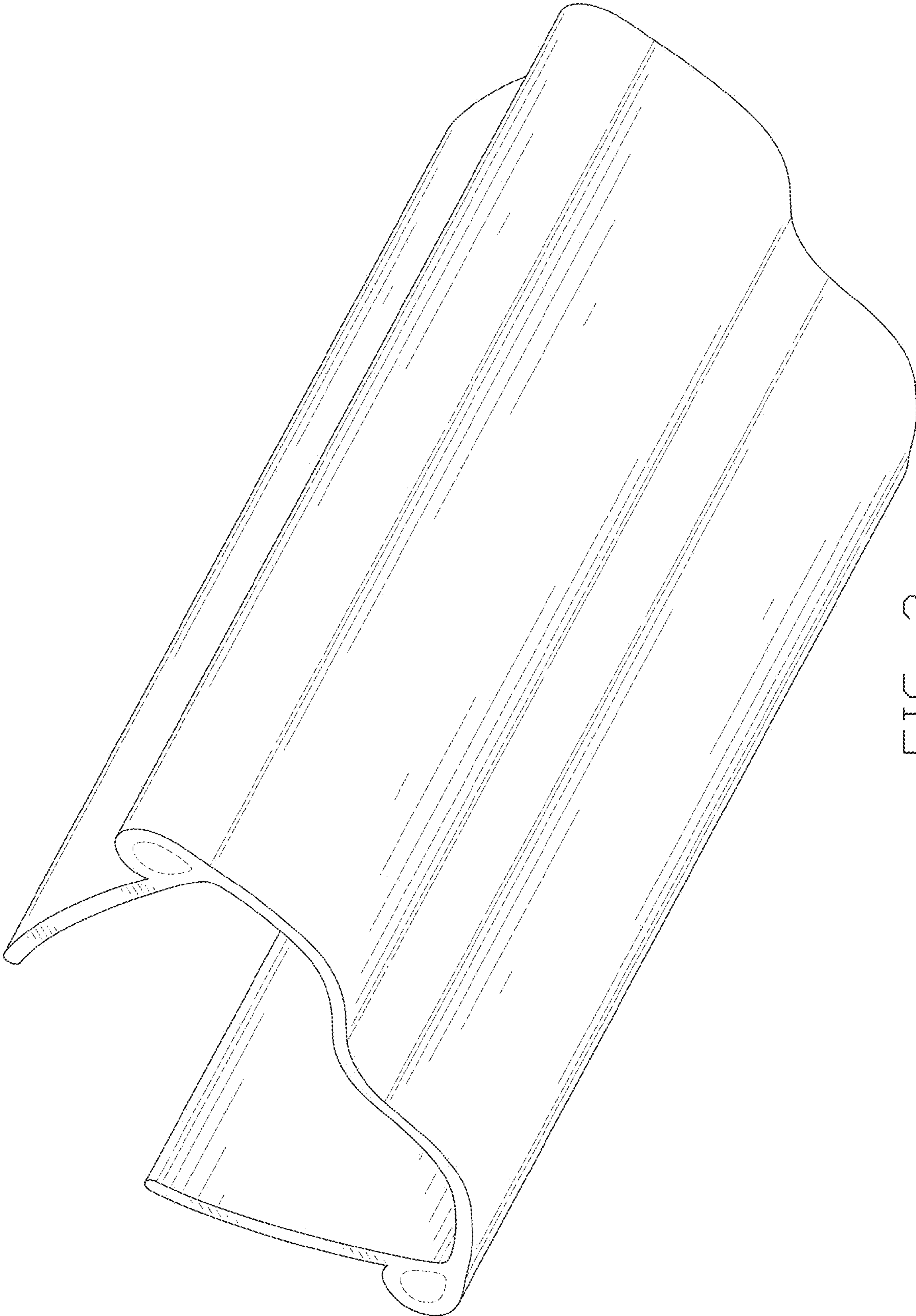


FIG. 2

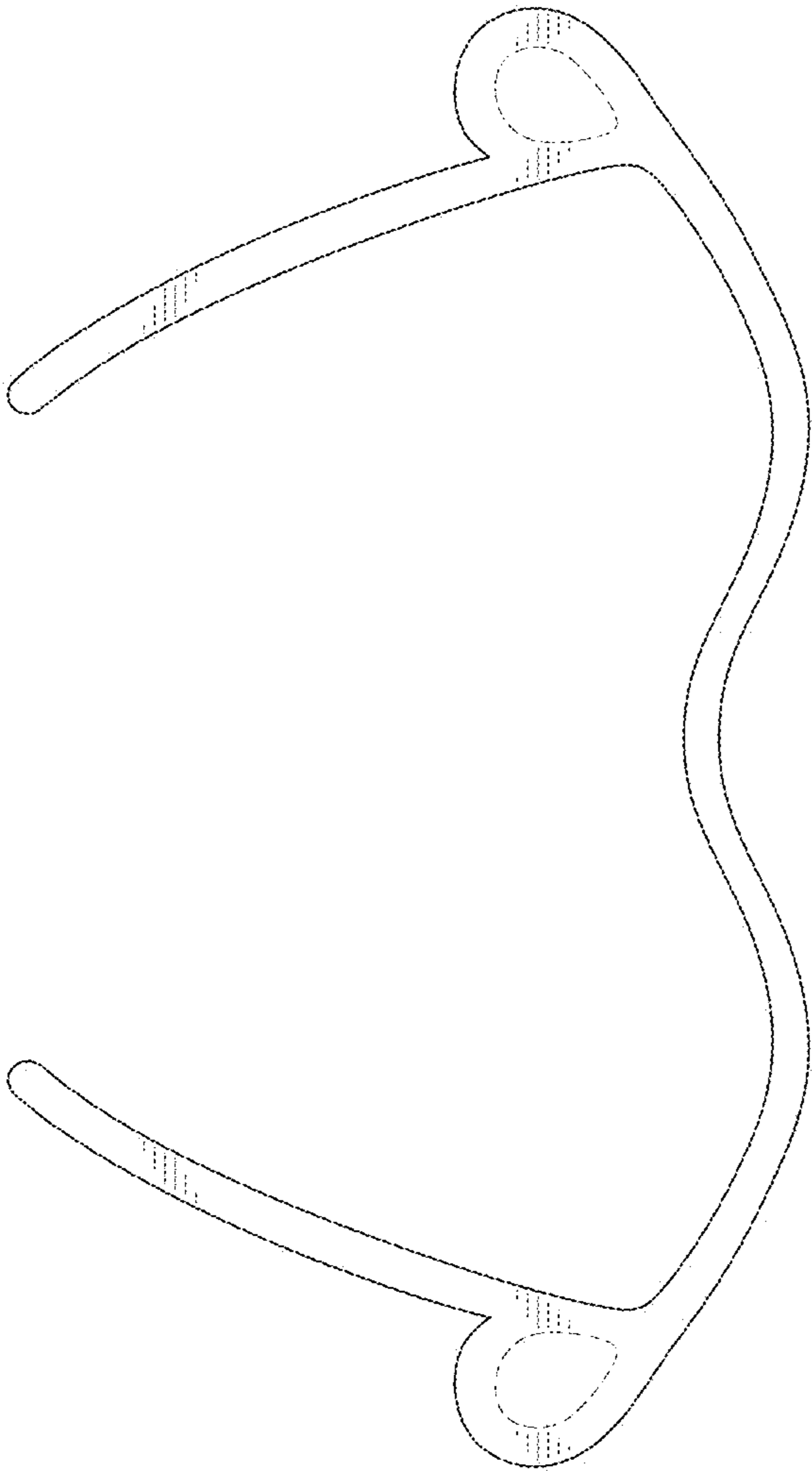


FIG. 3

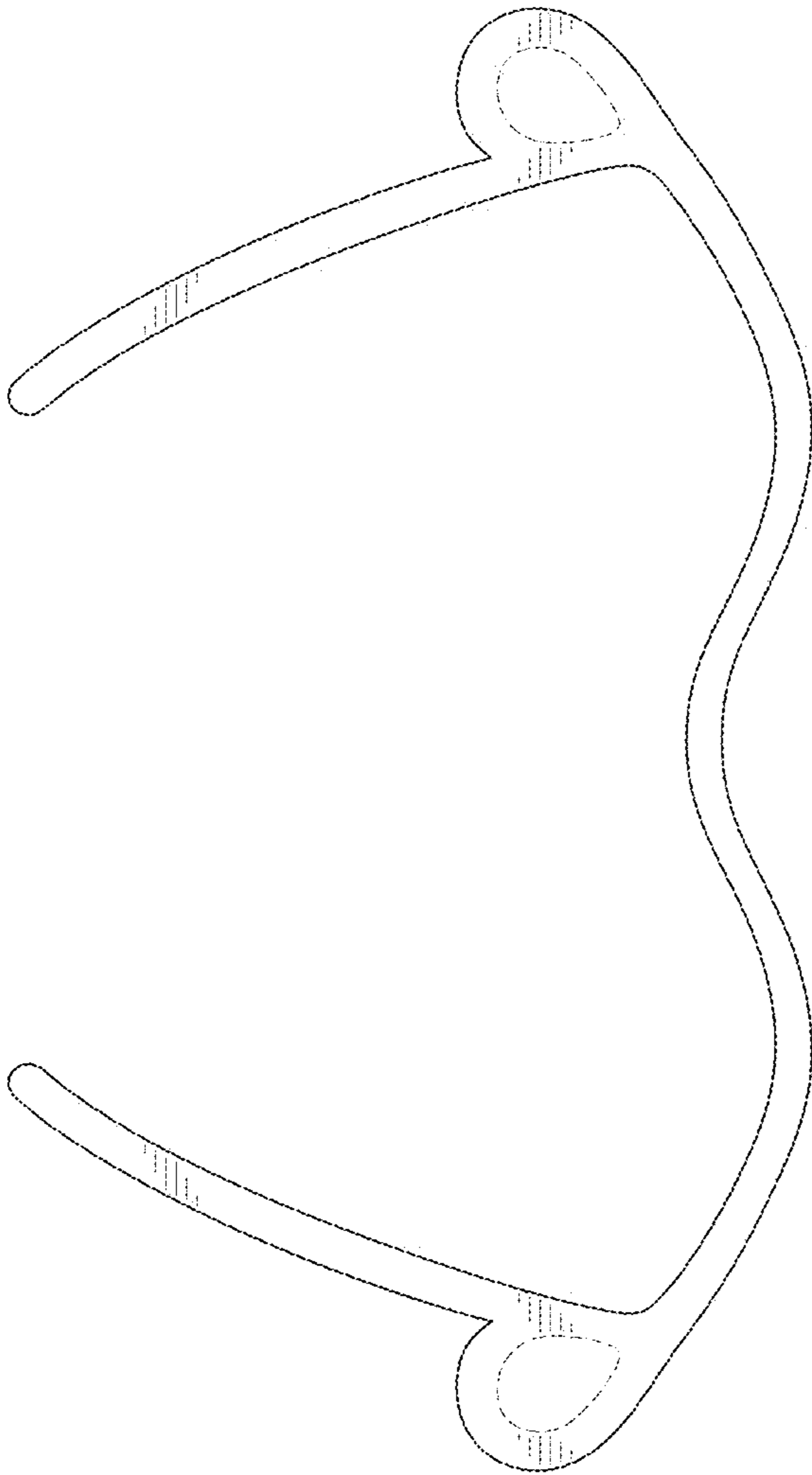


FIG. 4

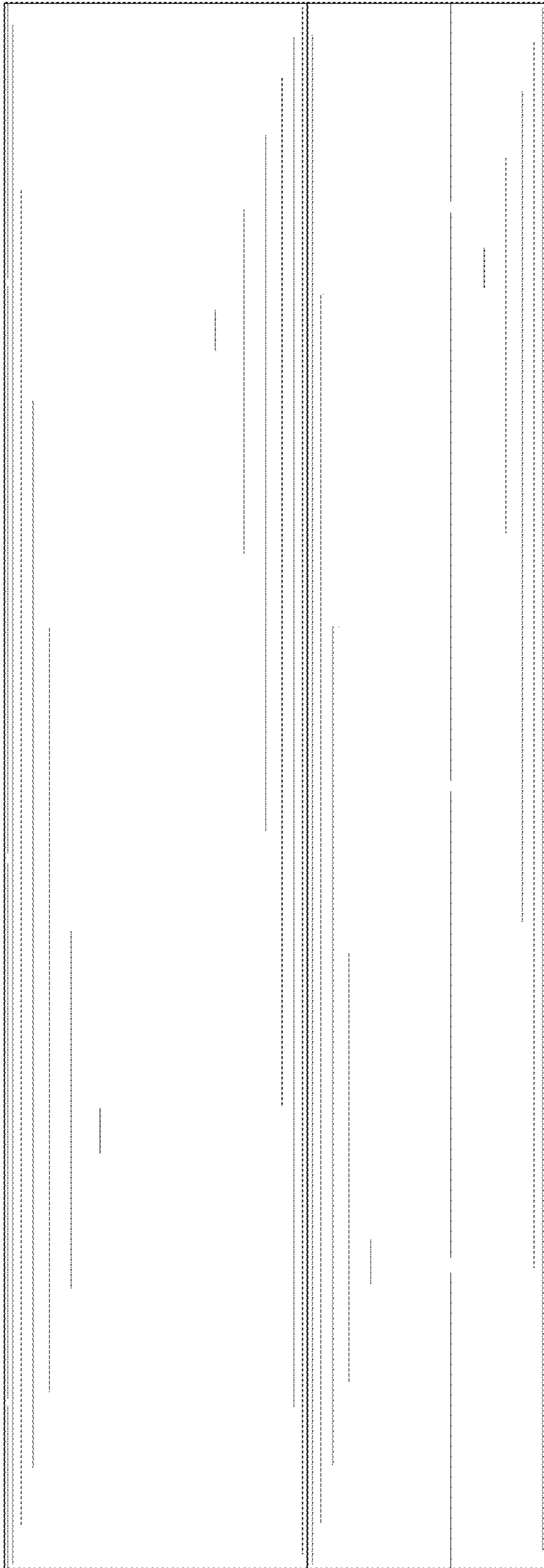


FIG. 5

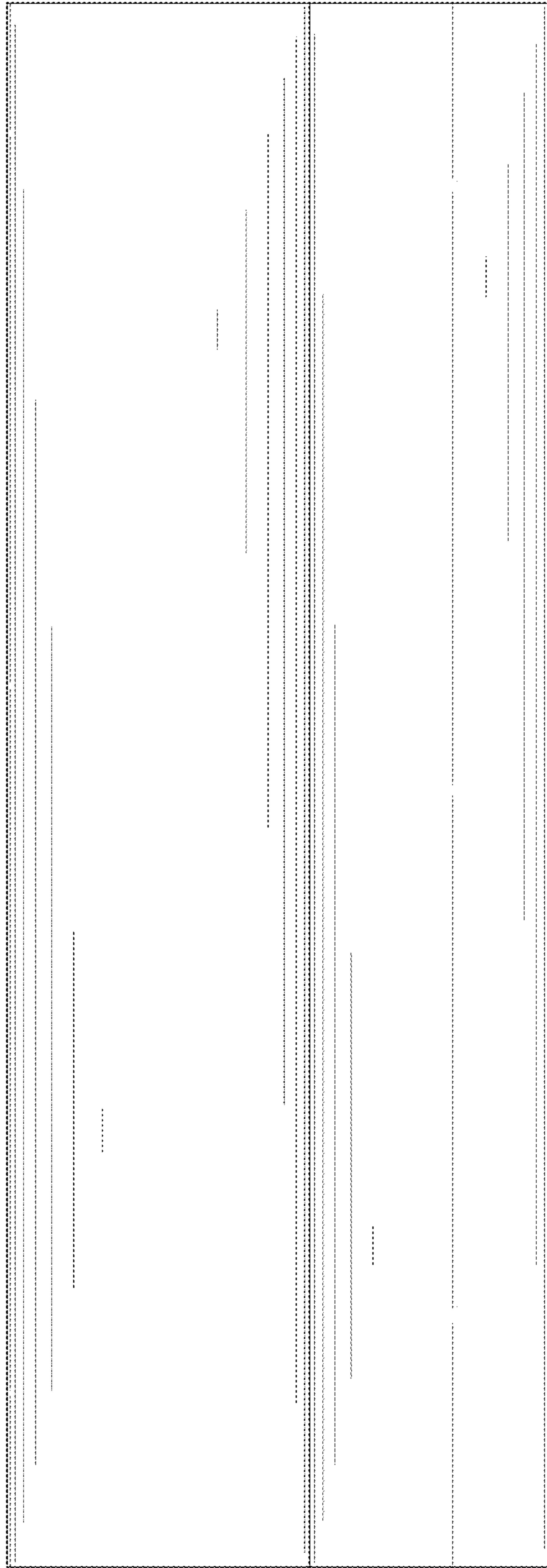


FIG. 6

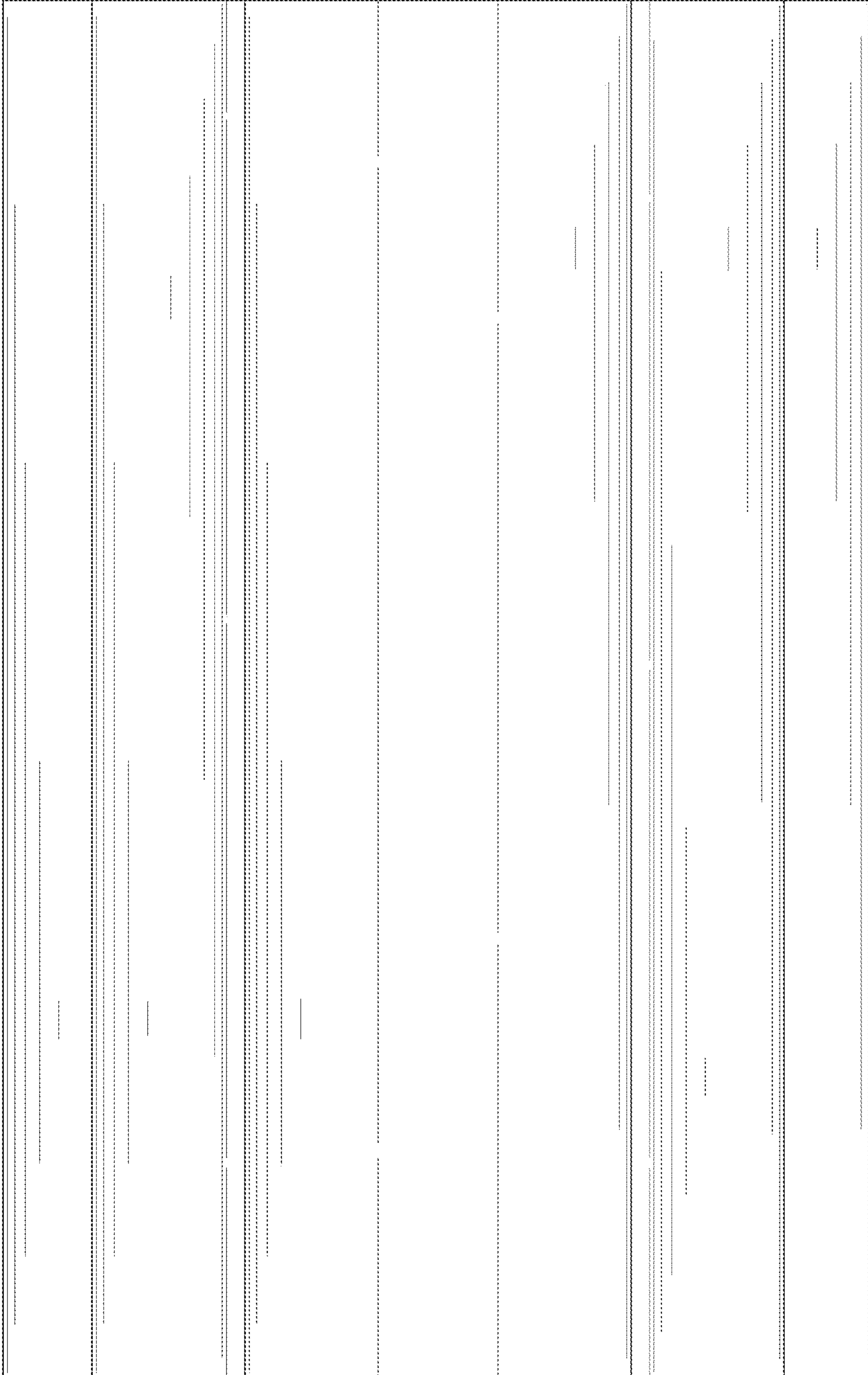


FIG. 7

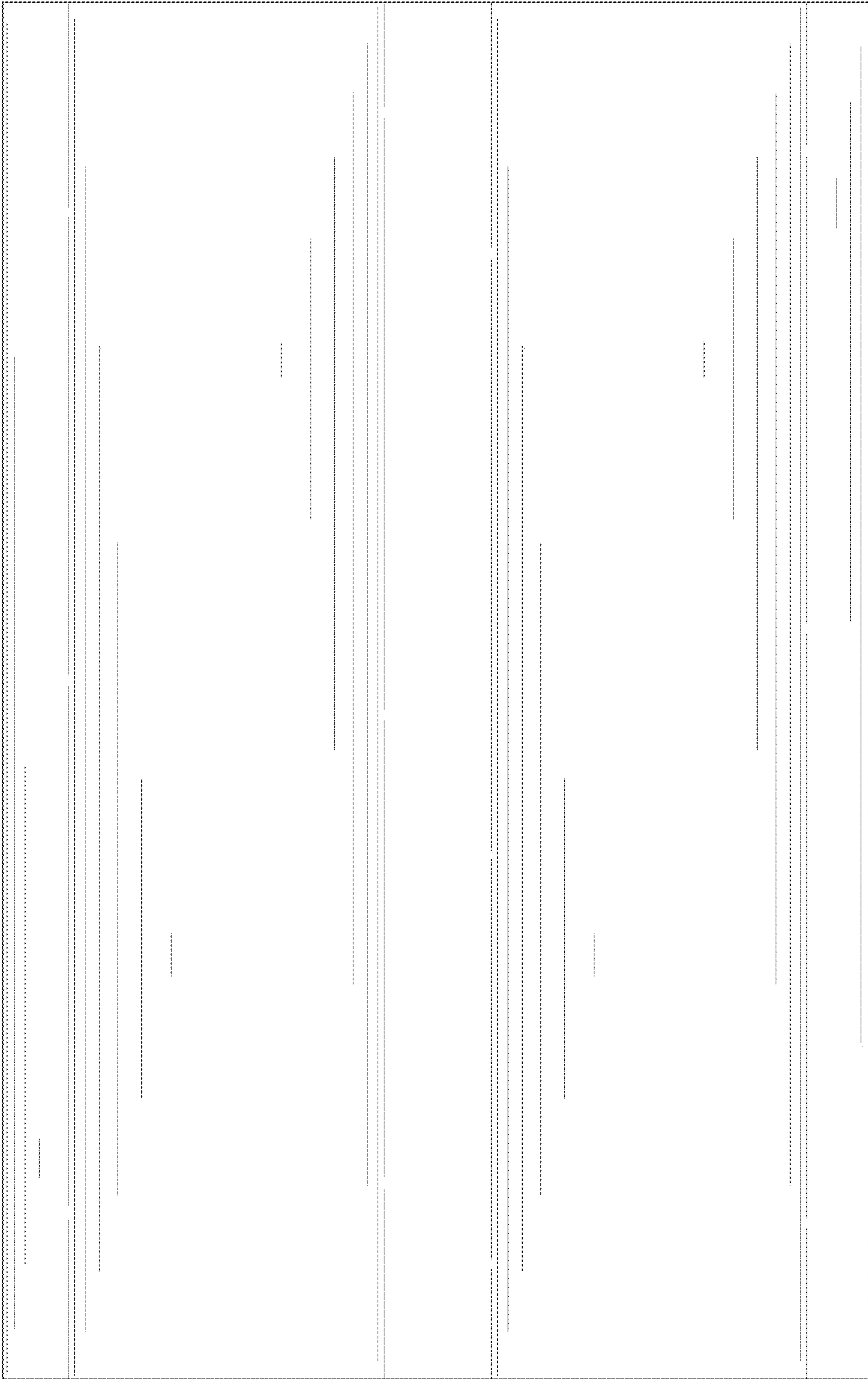


FIG. 8