



US00D984674S

(12) **United States Design Patent** (10) **Patent No.:** **US D984,674 S**  
**MacDonald et al.** (45) **Date of Patent:** **\*\* Apr. 25, 2023**

(54) **DOOR ASSEMBLY**

- (71) Applicant: **Endura Products, LLC**, Colfax, NC (US)
- (72) Inventors: **Kevin T. MacDonald**, Greensboro, NC (US); **Tomasz Jaskiewicz**, Oak Ridge, NC (US); **Eric Johnson**, Edenton, NC (US)
- (73) Assignee: **Endura Products, LLC**, Colfax, NC (US)
- (\*\*) Term: **15 Years**
- (21) Appl. No.: **29/818,124**
- (22) Filed: **Dec. 7, 2021**

**Related U.S. Application Data**

- (63) Continuation of application No. 17/068,503, filed on Oct. 12, 2020, now Pat. No. 11,286,712, which is a (Continued)
- (51) **LOC (14) Cl.** ..... **25-02**
- (52) **U.S. Cl.**  
USPC ..... **D25/48.2**
- (58) **Field of Classification Search**  
USPC ..... D25/48.2, 60  
CPC ... E06B 1/045; E06B 1/32; E06B 1/34; E06B 1/62; E06B 1/70; E06B 2001/622; E06B 2001/707; E06B 7/14; E06B 7/18; E06B 7/205; E06B 7/2314; E06B 7/2316; E06B 7/232; E06B 7/28; E06B 3/70; E06B 3/9632  
See application file for complete search history.

(56) **References Cited**

**U.S. PATENT DOCUMENTS**

- 4,281,480 A 8/1981 Wemdt ..... 49/504
  - 4,330,972 A 5/1982 Sailor
- (Continued)

**OTHER PUBLICATIONS**

FusionFrame Field Instructions—2 Piece Jambs Apr. 23, 2019  
[https://marketing.poweredbyendura.com/hubfs/FusionFrameInstructions\\_LandingPage/FusionFrame%20Field%20Instructions%20-%202%20Piece%20Jambs.pdf?\\_hstc=19452007.610d91facf49a06b9c96b842e41d8555.1656350881701.1656350881701.1656350881701.1&\\_hssc=19452007.11.1656350881702&\\_hsfp=4271270683](https://marketing.poweredbyendura.com/hubfs/FusionFrameInstructions_LandingPage/FusionFrame%20Field%20Instructions%20-%202%20Piece%20Jambs.pdf?_hstc=19452007.610d91facf49a06b9c96b842e41d8555.1656350881701.1656350881701.1656350881701.1&_hssc=19452007.11.1656350881702&_hsfp=4271270683) (Year: 2019).\*

(Continued)

*Primary Examiner* — Leanne Was-Englehart  
 (74) *Attorney, Agent, or Firm* — MacCord Mason PLLC

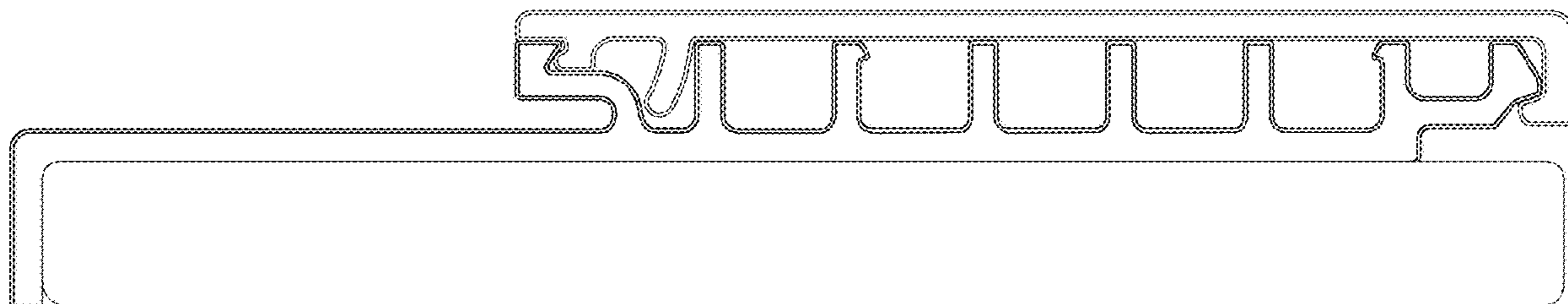
(57) **CLAIM**

The ornamental design for a door assembly, as shown and described.

**DESCRIPTION**

FIG. 1 is an end view of a door assembly showing my new design;  
 FIG. 2 is an end view thereof with unclaimed portions removed;  
 FIG. 3 is a perspective side and end view thereof;  
 FIG. 4 is a perspective side and end view thereof with unclaimed portions removed;  
 FIG. 5 is a top view thereof;  
 FIG. 6 is a top view thereof with unclaimed portions removed;  
 FIG. 7 is back view thereof;  
 FIG. 8 is a side view thereof;  
 FIG. 9 is a side view thereof with unclaimed portions removed;  
 FIG. 10 is an opposite side view thereof; and,  
 FIG. 11 is an opposite side view thereof with unclaimed portions removed.  
 The dotted broken lines shown in the drawings depict environment and portions of the door assembly that form no part of the claimed design. The drawings contain a symbolic break. The break lines forms no part of the claimed design.

**1 Claim, 7 Drawing Sheets**



**Related U.S. Application Data**

continuation-in-part of application No. 15/911,256,  
filed on Mar. 5, 2018, now Pat. No. 10,801,248.

(60) Provisional application No. 62/466,584, filed on Mar.  
3, 2017.

(56) **References Cited**

U.S. PATENT DOCUMENTS

4,430,830	A	2/1984	Sailor	
5,058,323	A	10/1991	Gerritsen	49/504
5,203,130	A	4/1993	Freelove	52/211
5,435,106	A	7/1995	Garries et al.	52/204.5
5,491,951	A	2/1996	Rigelman	52/309.16
5,511,355	A	4/1996	Dingler	52/729.5
5,528,869	A	6/1996	Boomer et al.	52/212
5,634,303	A	6/1997	Ellingson	52/210
5,758,458	A	6/1998	Ridge	
5,759,680	A	6/1998	Brooks et al.	
5,836,118	A	11/1998	Thornton et al.	52/204.1
5,873,209	A	2/1999	Hagel	52/656.4
5,987,843	A	11/1999	Canfield	52/656.4
6,003,277	A	12/1999	Graham et al.	52/309.7
6,125,605	A	10/2000	Young	52/717.01
6,148,582	A	11/2000	Ellingson	52/656.4
6,378,266	B1	4/2002	Ellingson	52/656.4
D460,563	S *	7/2002	Babka	D25/48.2
6,453,631	B1	9/2002	Headrick	52/210
D474,844	S *	5/2003	Babka	D25/48.2
6,557,309	B1	5/2003	Johnson	52/210
6,604,334	B2	8/2003	Rochman	52/717.01
6,680,090	B2	1/2004	Godavarti	
6,766,621	B2	7/2004	Reppermund	52/204.1
6,922,969	B1	8/2005	Mina	52/738.1
7,160,601	B2	1/2007	Ellingson	428/158
7,765,768	B2	8/2010	Liang et al.	52/784.1
7,930,866	B2	4/2011	Carlson et al.	52/834
7,971,400	B2	7/2011	Boldt et al.	52/204.1
D652,532	S *	1/2012	Letham	D25/123

8,178,643	B2	5/2012	Edstrom et al.	528/60
8,230,652	B2	7/2012	An	52/210
8,266,856	B2	7/2012	An	52/210
8,371,079	B2	2/2013	An et al.	52/210
8,438,808	B2	5/2013	Carlson et al.	52/309.16
8,499,509	B2	8/2013	Sibbett	52/211
8,621,794	B2	1/2014	An et al.	52/210
8,793,945	B2	8/2014	An	1/52
8,857,107	B1 *	10/2014	Key	E06B 1/70 52/12
D766,458	S *	9/2016	Chapman	D25/48.2
9,803,413	B2	10/2017	MacDonald	1/32
D857,238	S *	8/2019	Bryant	D25/48.2
D876,671	S *	2/2020	Bryant	D25/48.2
D881,689	S *	4/2020	MacDonald	C08F 210/06 D25/60
11,047,165	B1 *	6/2021	Monts De Oca	E06B 1/70
D934,671	S *	11/2021	MacDonald	D8/400
11,286,712	B2 *	3/2022	MacDonald	E06B 1/524
2002/0174610	A1	11/2002	Bennett et al.	52/204.1
2005/0257455	A1	11/2005	Fagan	52/210
2006/0123719	A1	6/2006	Careri	
2006/0123720	A1	6/2006	Lin	52/211
2007/0074469	A1	4/2007	Plagemann	
2008/0178553	A1	7/2008	Micho et al.	52/656.4
2009/0255197	A1	10/2009	Chapman	52/210
2010/0192489	A1	8/2010	An	52/210
2011/0138714	A1	6/2011	Van Seters	52/204.5
2021/0071472	A1 *	3/2021	MacDonald	E06B 1/32

**OTHER PUBLICATIONS**

FusionFrame Brochure Single Page <https://cdn2.hubspot.net/hubfs/1818759/2019%20fusionframe%20brochure/FusionFrame%20Brochure%20Single%20Page.pdf> Last modified Oct. 23, 2019 (Year: 2019).\*

Exterior Door Components Powered by Endura Products Door Parts <https://www.enduraproducts.com/exterior-door-components-2/> Jun. 2020 (Year: 2020).\*

\* cited by examiner

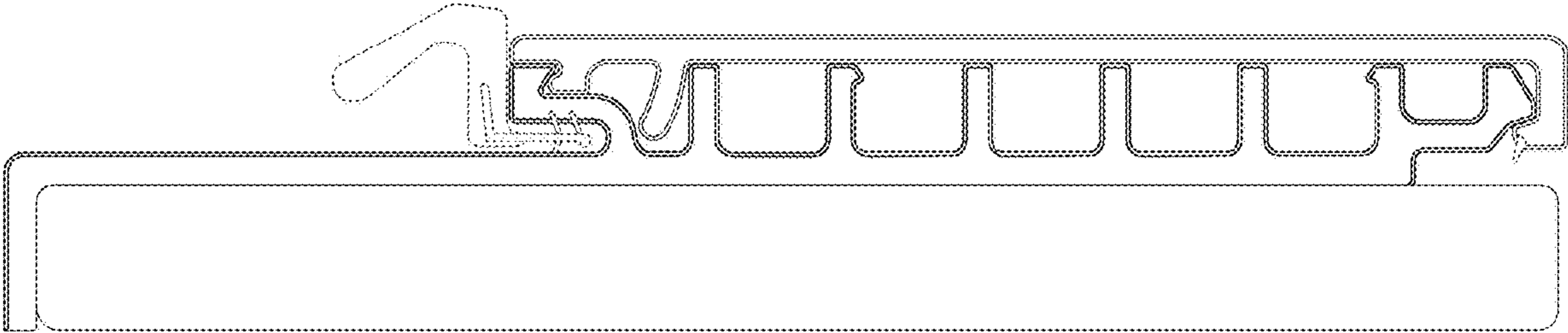


FIG. 1

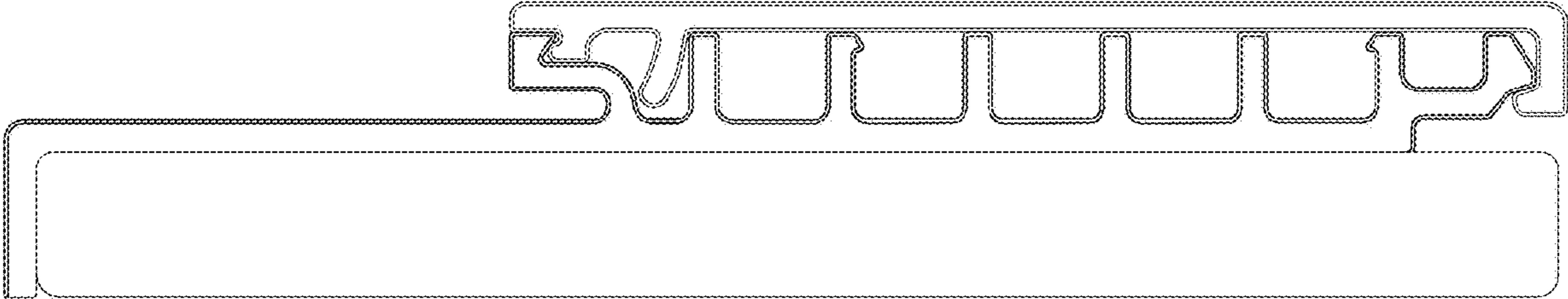


FIG. 2

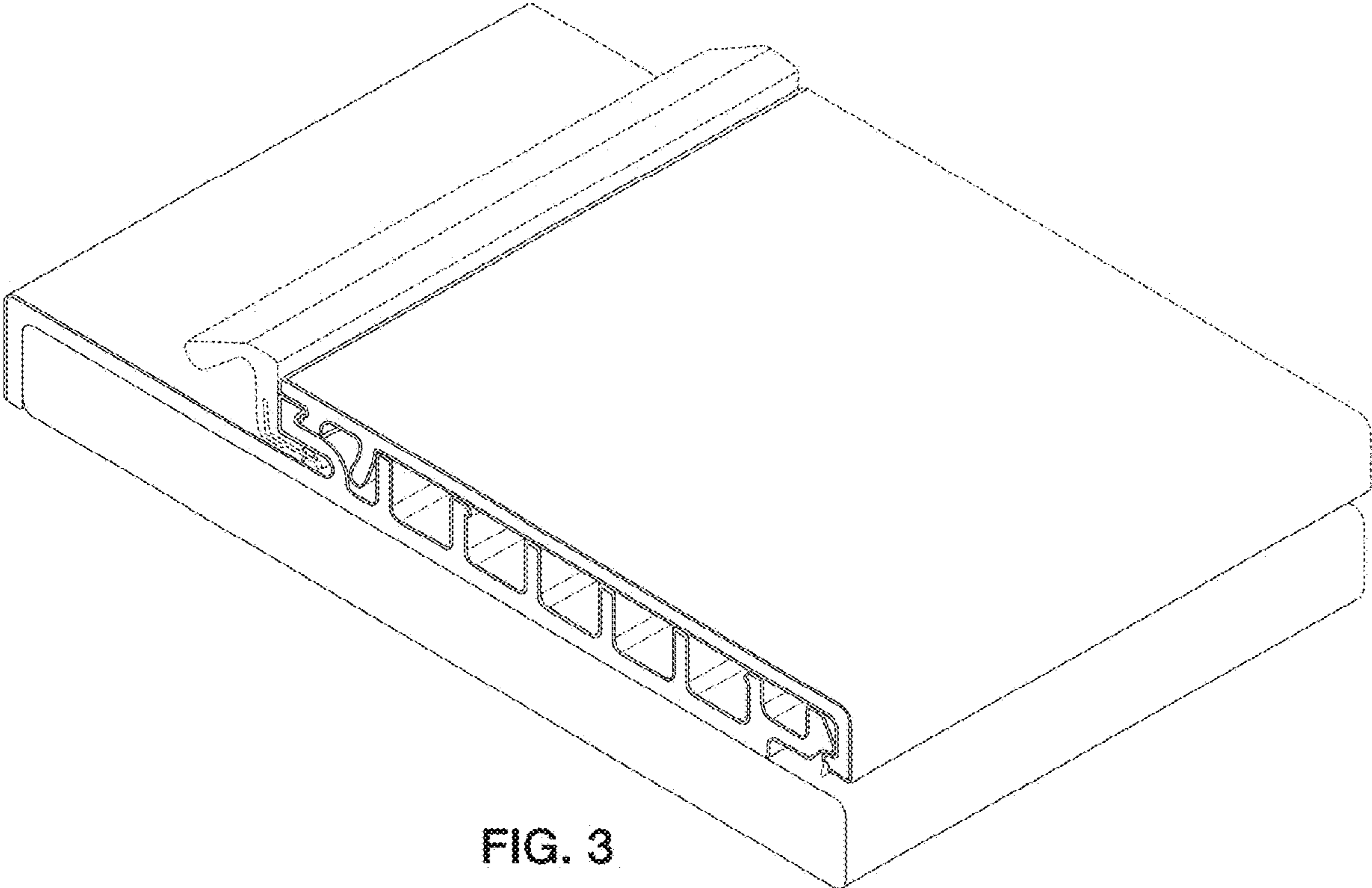


FIG. 3

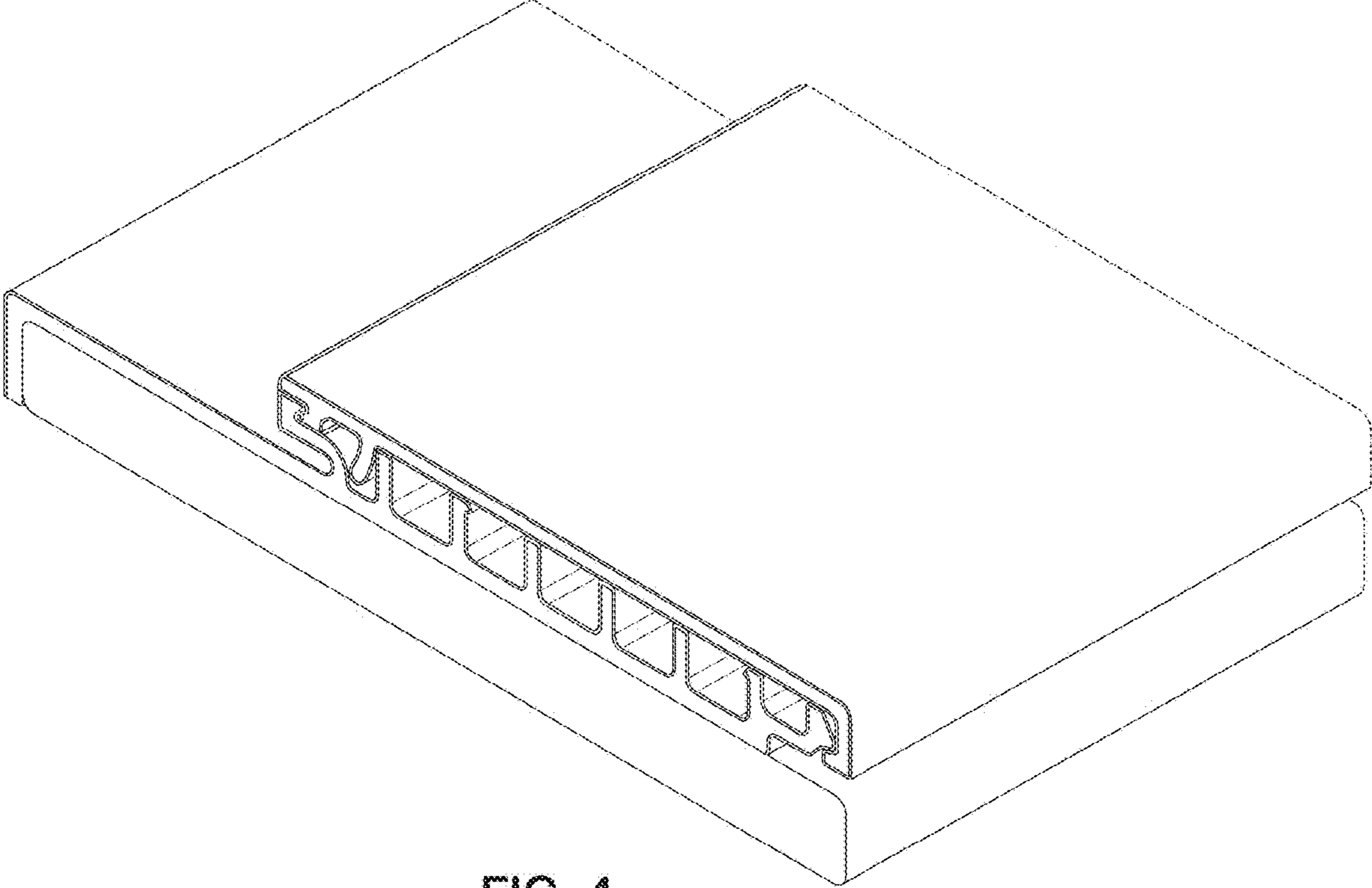


FIG. 4

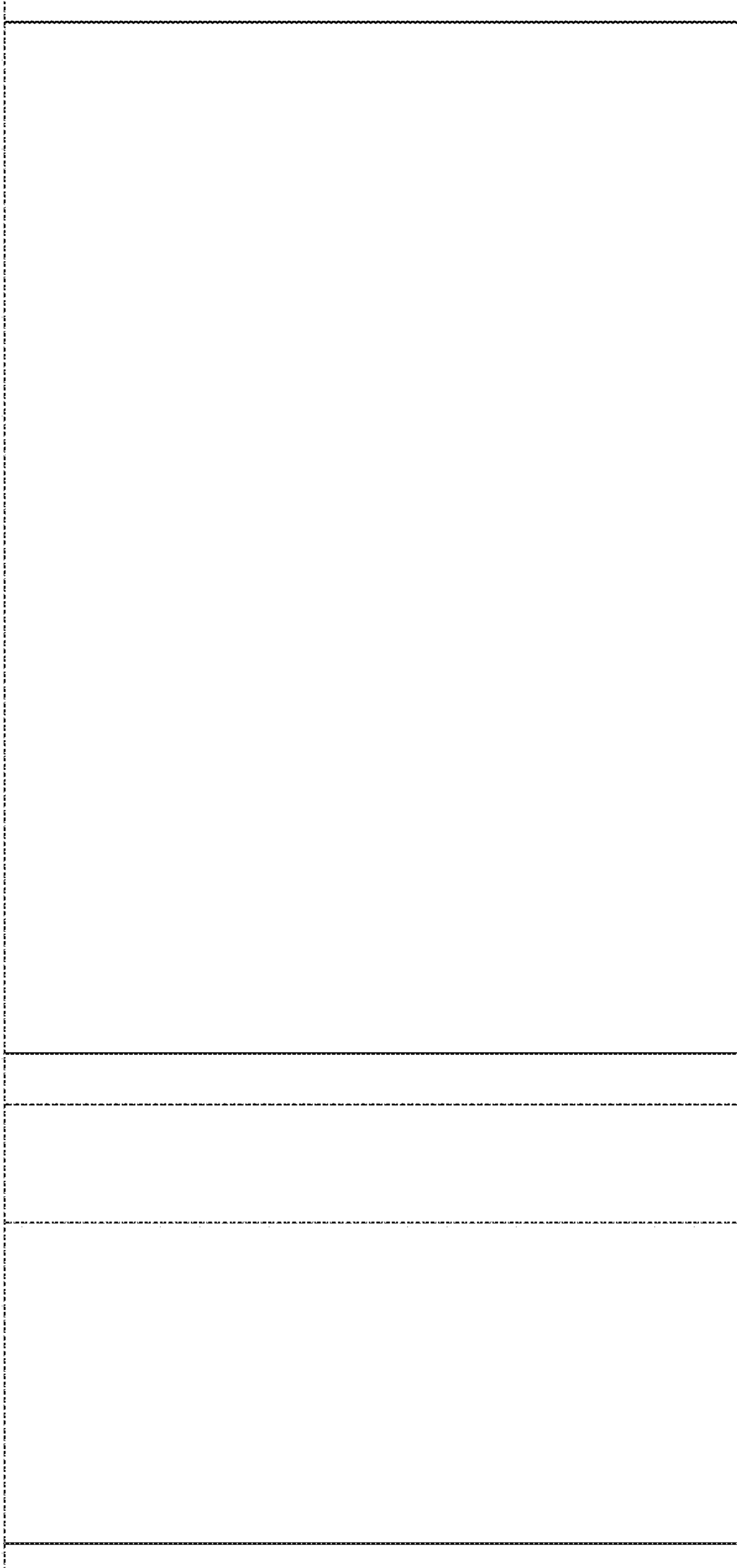


FIG. 5



FIG. 6

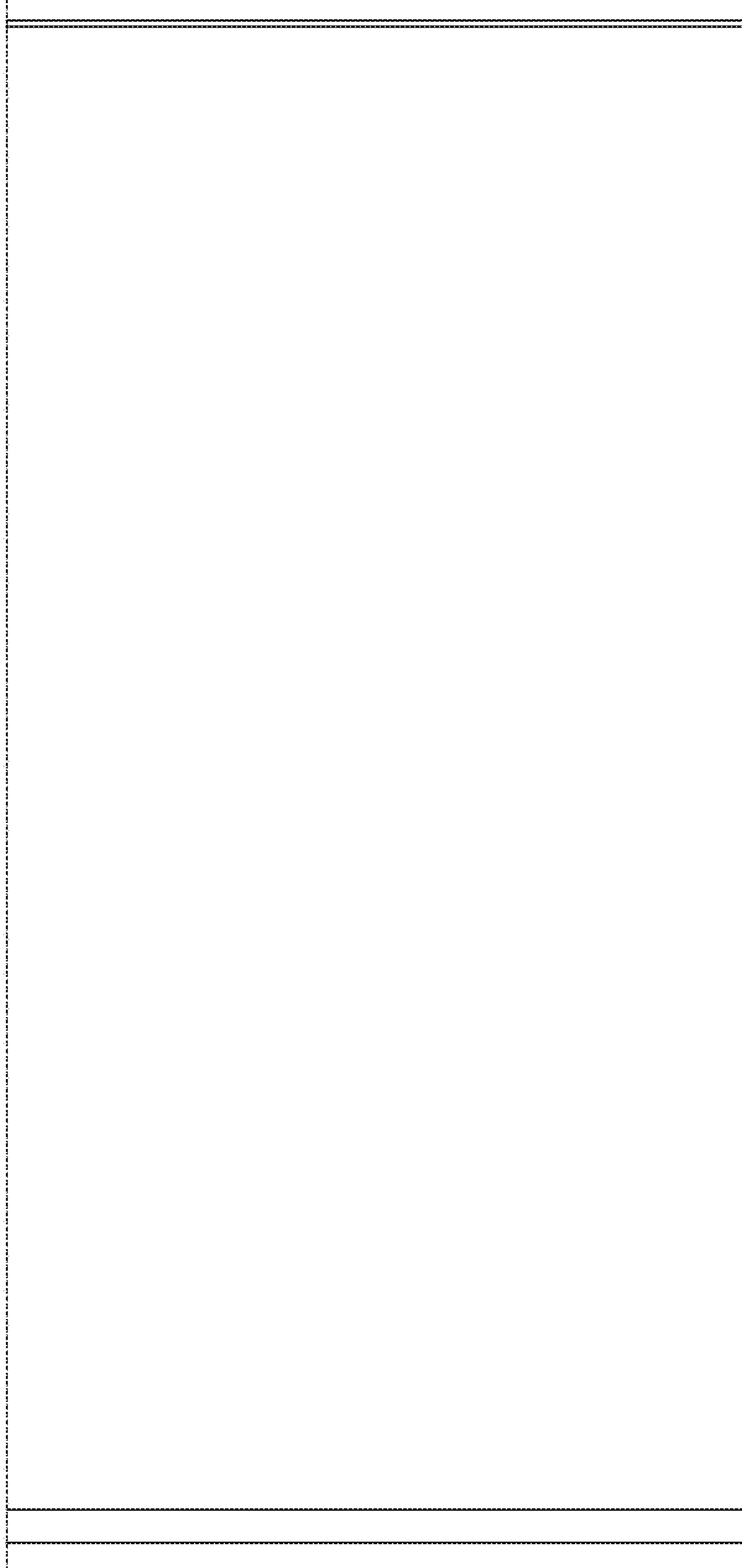


FIG. 7

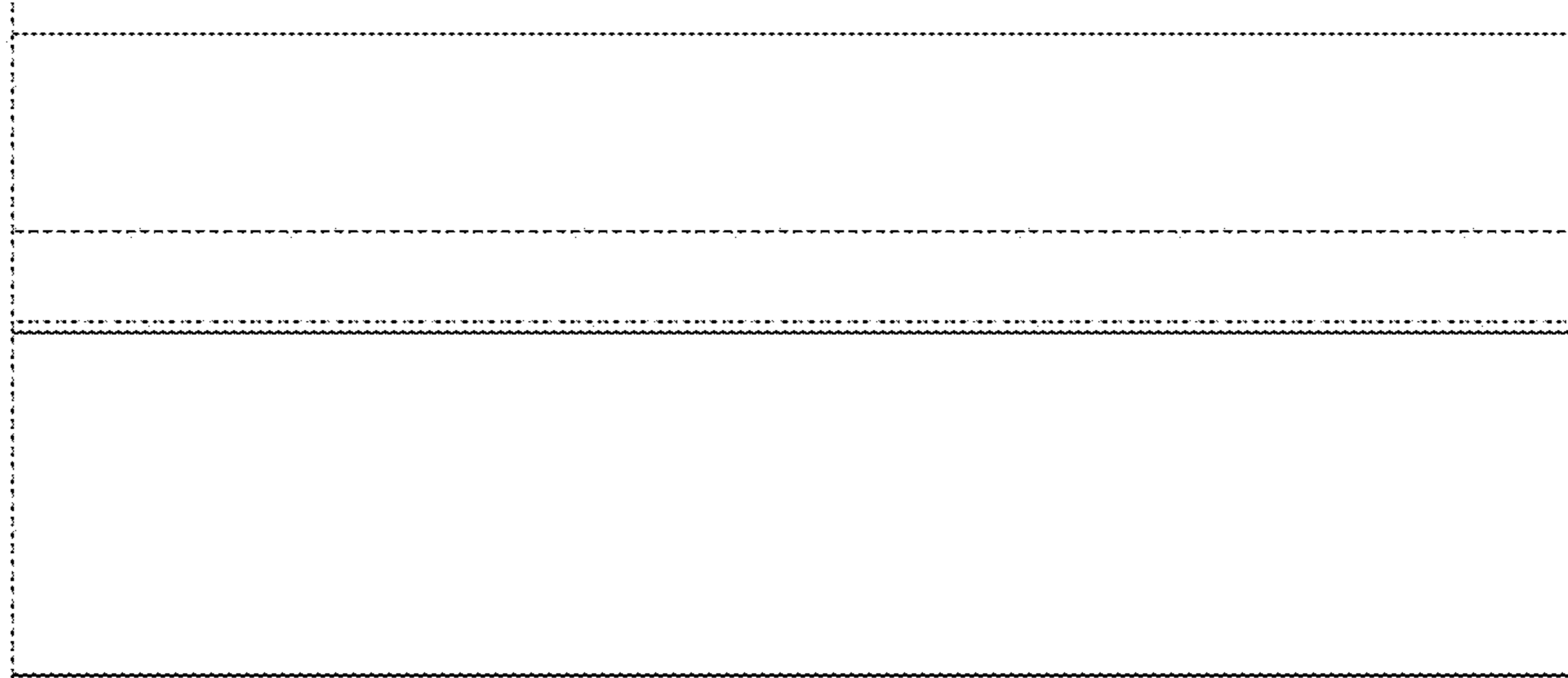


FIG. 8

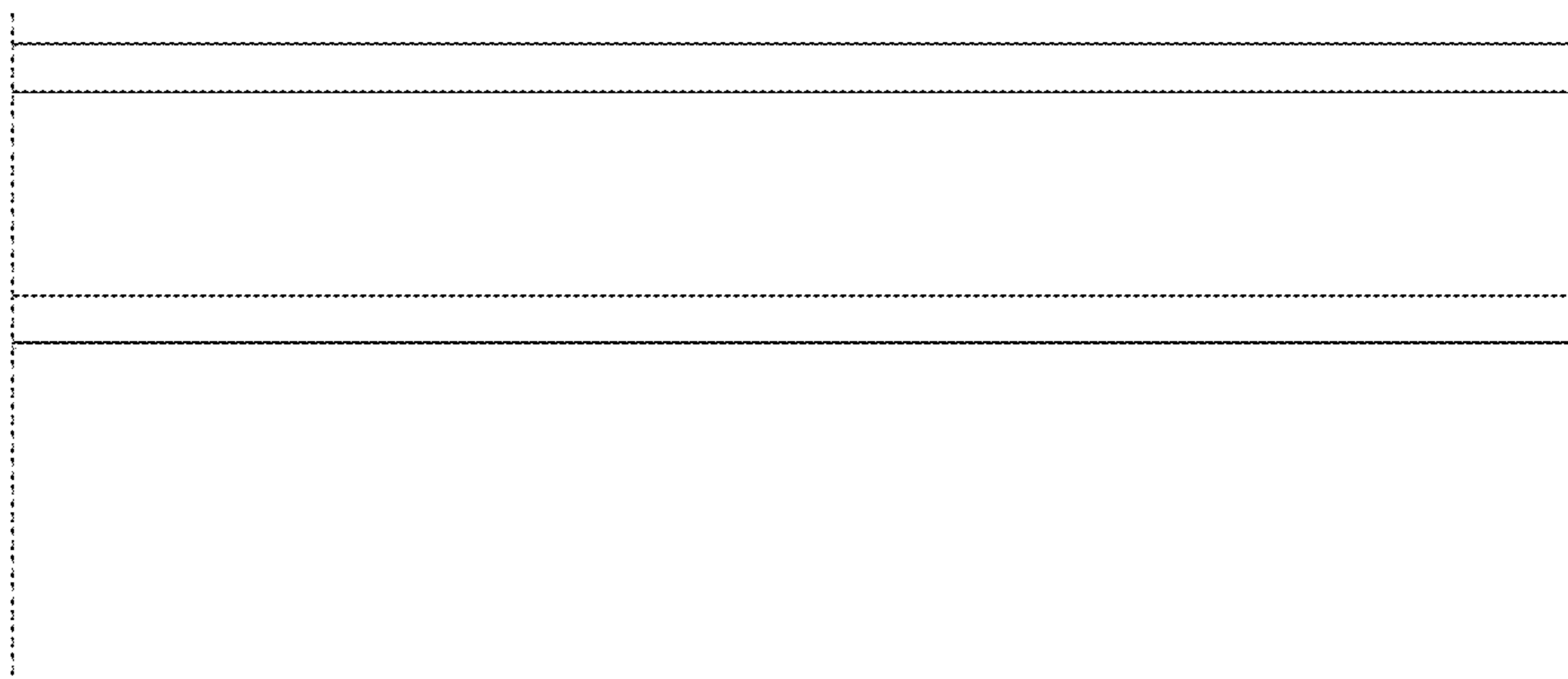


FIG. 9



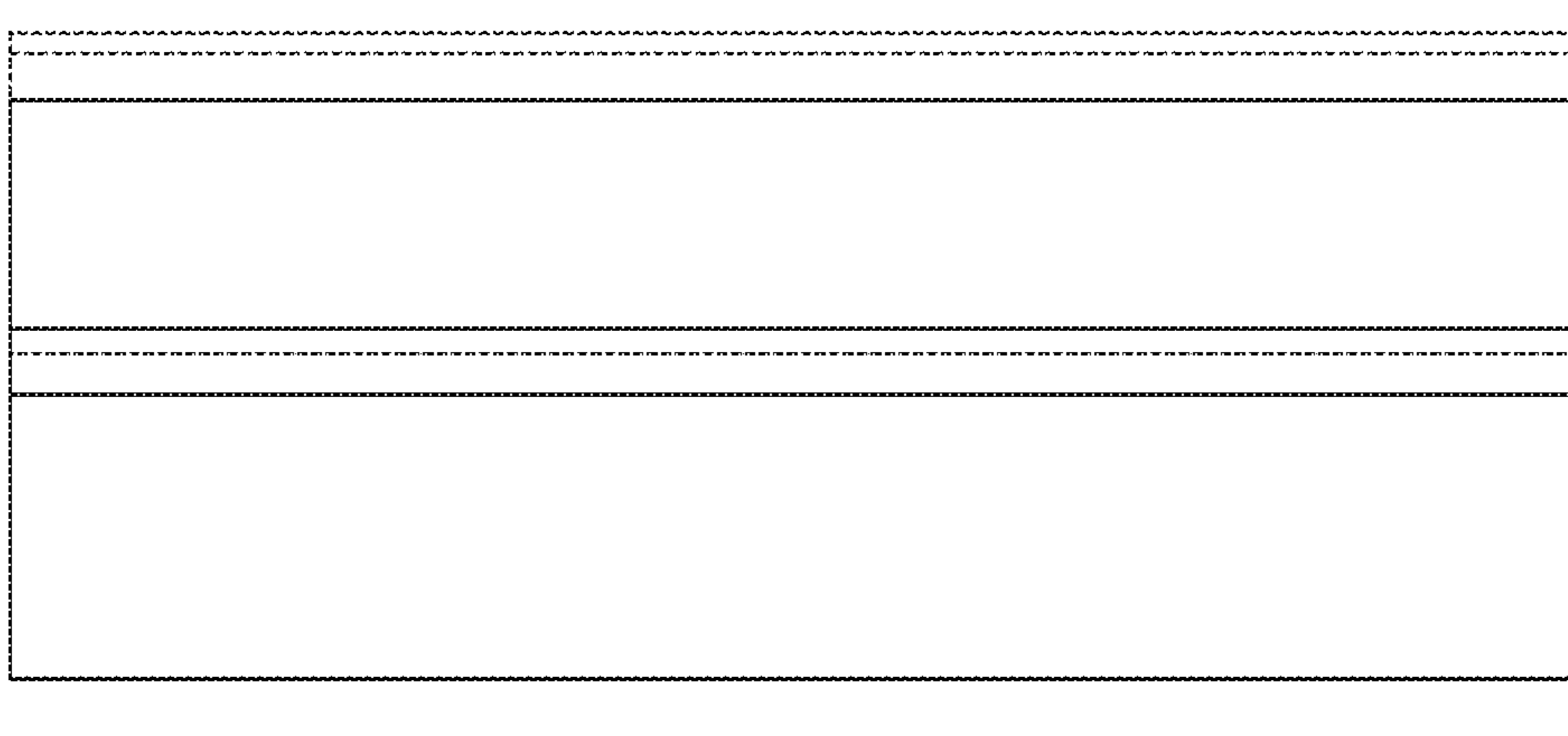


FIG. 10

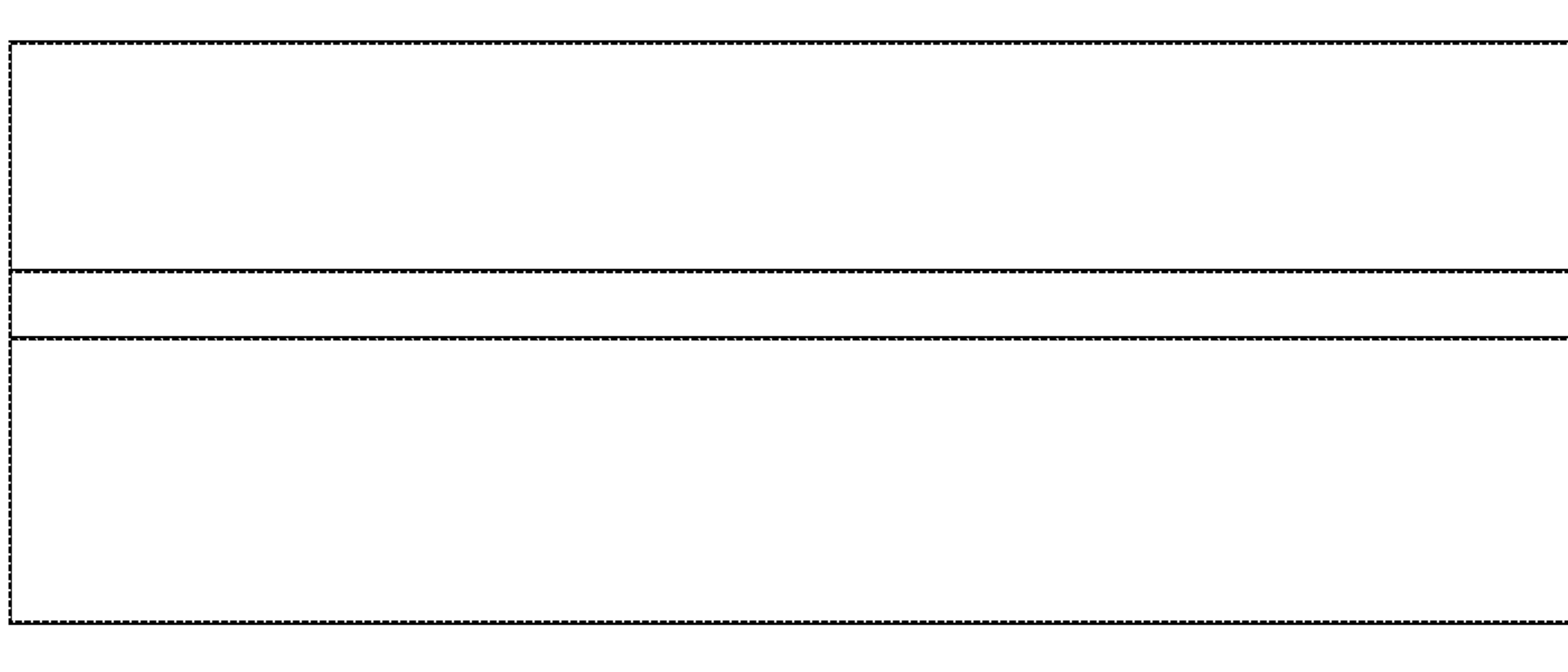


FIG. 11