



US00D984673S

(12) **United States Design Patent** (10) **Patent No.:** **US D984,673 S**  
**Black, Jr. et al.** (45) **Date of Patent:** **\*\* Apr. 25, 2023**

(54) **POOL**  
(71) Applicant: **Latham Pool Products, Inc.**, Latham, NY (US)  
(72) Inventors: **Richard E. Black, Jr.**, Huntsville, AL (US); **Thom P. Richards**, Jane Lew, WV (US); **David Throckmorton**, Bloomingdale, OH (US); **Michael Fox**, Latham, NY (US); **Brian Adamkoski**, Gloversville, NY (US)  
(73) Assignee: **Latham Pool Products, Inc.**, Latham, NY (US)  
(\*\*) Term: **15 Years**  
(21) Appl. No.: **29/804,026**  
(22) Filed: **Aug. 17, 2021**  
(51) **LOC (14) Cl.** ..... **25-03**  
(52) **U.S. Cl.**  
USPC ..... **D25/2**  
(58) **Field of Classification Search**  
USPC ..... D25/2; D8/309, 356, 358, 359, 307; D24/204, 205  
CPC .... E04H 4/00; E04H 4/06; E04H 4/08; E04H 4/082; E04H 4/101; E04H 4/086; G05G 1/085  
See application file for complete search history.

D822,226 S \* 7/2018 Rathnam ..... E04H 4/0018 D25/2  
D864,416 S \* 10/2019 Rathnam ..... D25/2  
D870,918 S \* 12/2019 Rathnam ..... D25/2  
D965,178 S \* 9/2022 Rathnam ..... D8/359

**OTHER PUBLICATIONS**

Narellanpools, "Symphony", <https://narellanpools.com/swimming-pool-range/symphony/>, 2015, accessed Aug. 17, 2021, pp. 1-9.  
Leisure Pools, "The Reflection", <https://leisurepoolsusa.com/fiberglass-swimming-pools/the-reflection/>, 2012, accessed Aug. 17, 2021, pp. 1-6.

(Continued)

*Primary Examiner* — T Chase Nelson  
*Assistant Examiner* — Sydney Margaret Parsley  
(74) *Attorney, Agent, or Firm* — Kilpatrick Townsend & Stockton LLP

(57) **CLAIM**

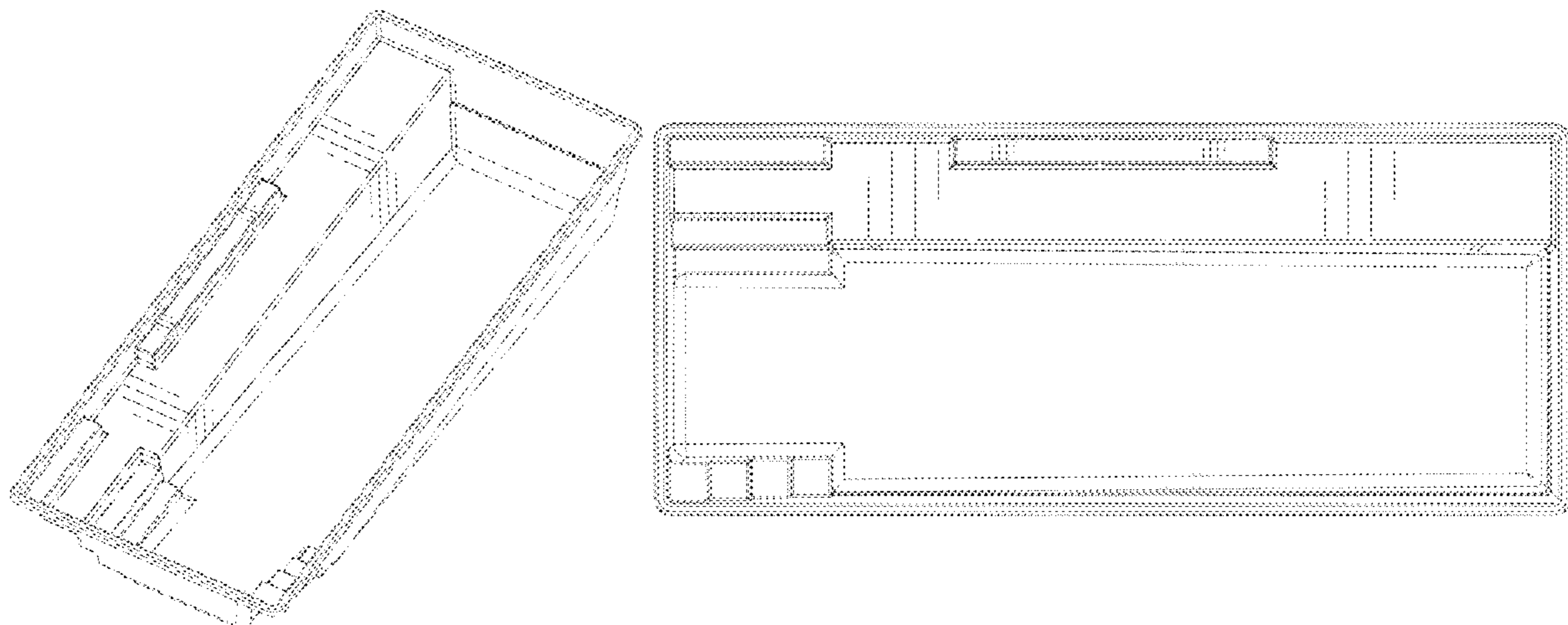
The ornamental design for a pool, as shown and described.

**DESCRIPTION**

FIG. 1 is a perspective view of a pool, showing our new design.  
FIG. 2 is another perspective view of the pool of FIG. 1.  
FIG. 3 is a right side view of the pool of FIG. 1.  
FIG. 4 is a left side view of the pool of FIG. 1.  
FIG. 5 is a front view of the pool of FIG. 1.  
FIG. 6 is a rear view of the pool of FIG. 1.  
FIG. 7 is a top view of the pool of FIG. 1; and, FIG. 8 is a bottom view of the pool of FIG. 1.  
The evenly dotted broken lines in the figures illustrate unclaimed features of the pool that form no part of the claimed design. The dash-dot-dash broken lines in the figures define boundary lines that form no part of the claimed design.

**1 Claim, 8 Drawing Sheets**

(56) **References Cited**  
U.S. PATENT DOCUMENTS  
D446,313 S \* 8/2001 Sullivan ..... D25/2  
D791,966 S \* 7/2017 Pain ..... D25/2  
D794,824 S \* 8/2017 Pain ..... D25/2  
D800,341 S \* 10/2017 Pain ..... E04H 4/0018 D25/2



(56)

**References Cited**

OTHER PUBLICATIONS

Leisure Pools, "The Harmony", <https://leisurepoolsusa.com/fiberglass-swimming-pools/the-harmony/>, 2018, accessed Aug. 17, 2021 pp. 1-6.

Narellanpools, "Serene", <https://narellanpools.com/swimming-pool-range/serene/> 2018, accessed Aug. 17, 2021, pp. 1-9.

NZ Application No. NZ429985 , "Design Examination Report 1", dated Feb. 25, 2022, 2 pages.

\* cited by examiner

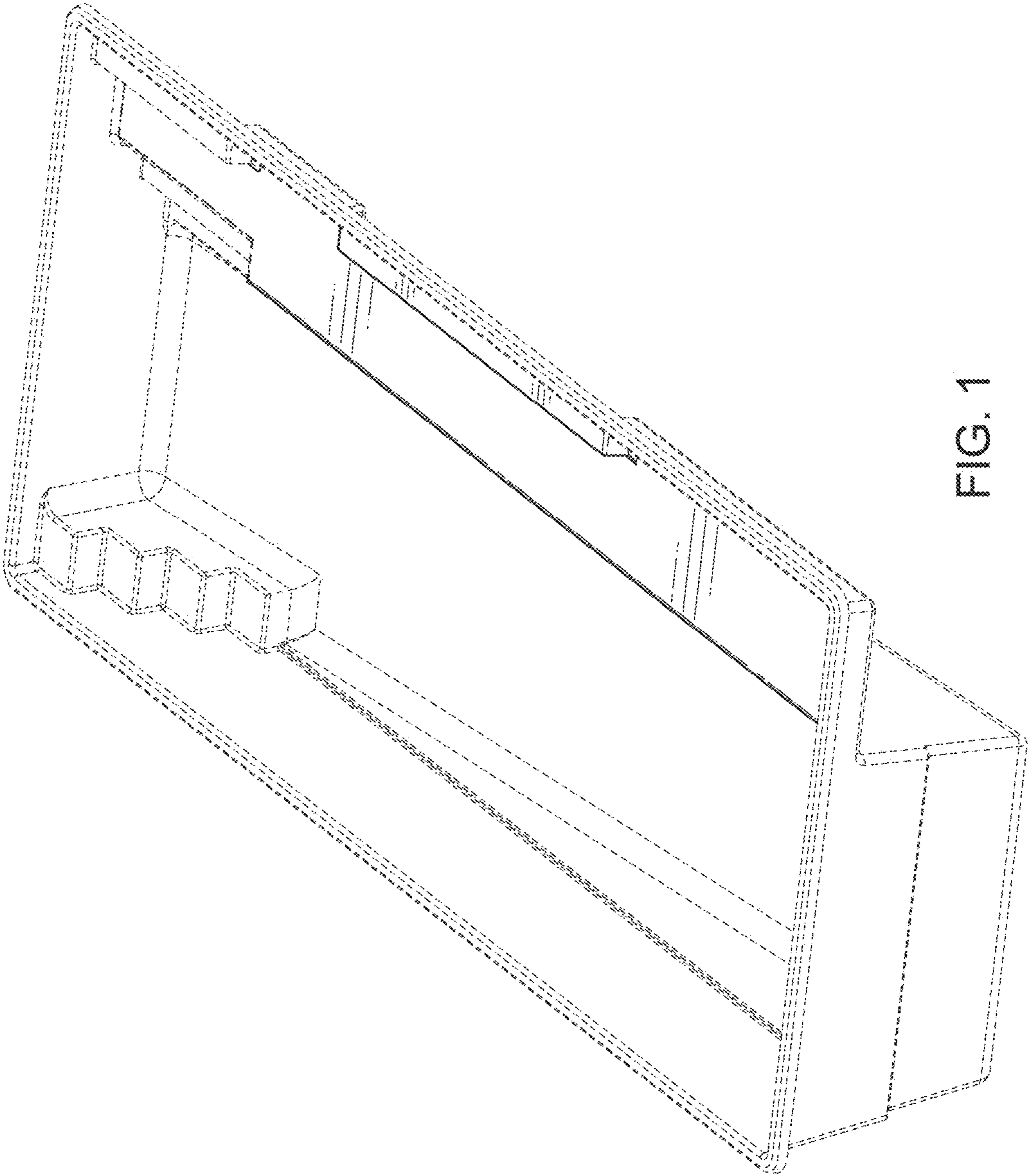


FIG. 1

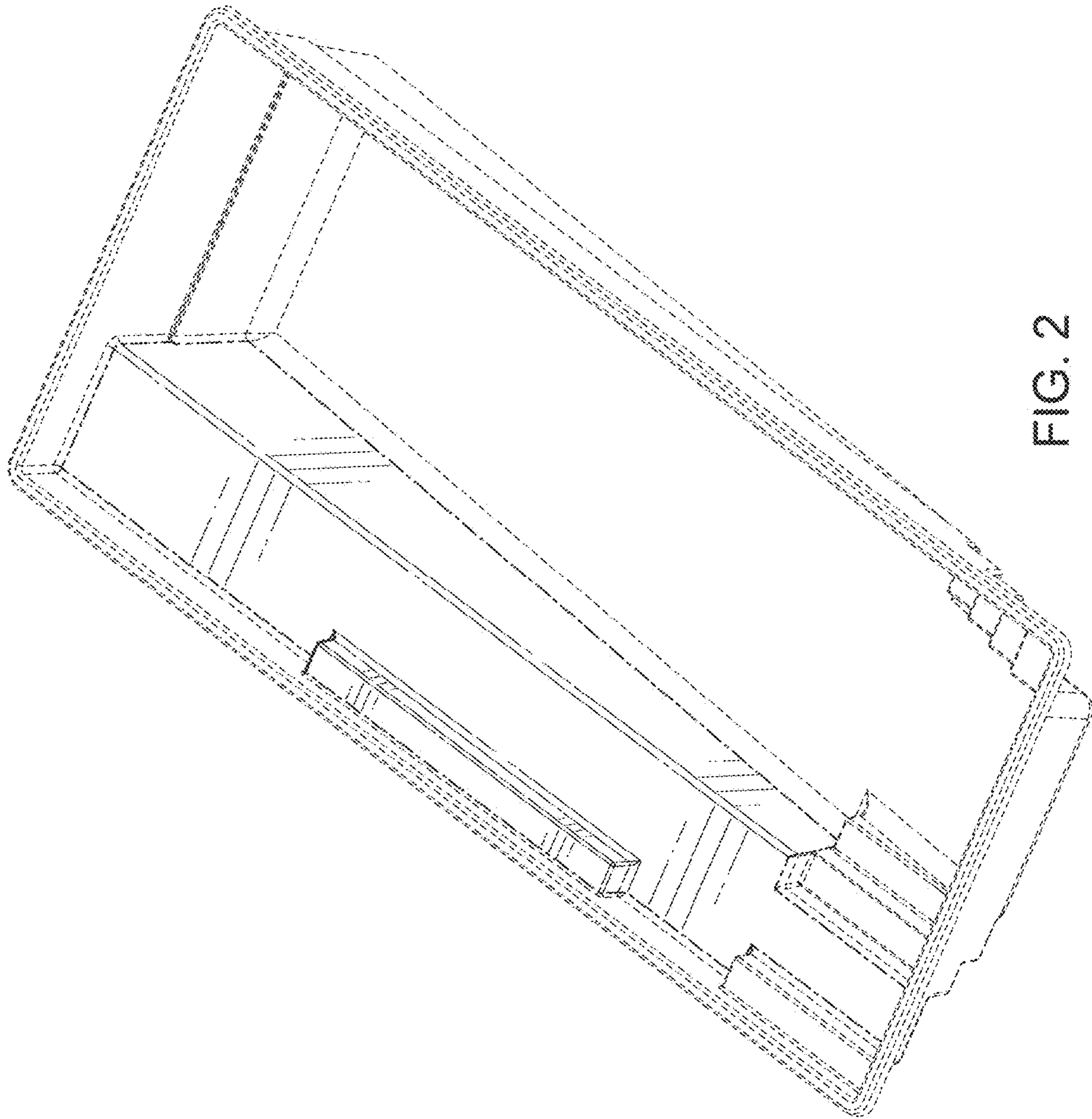


FIG. 2

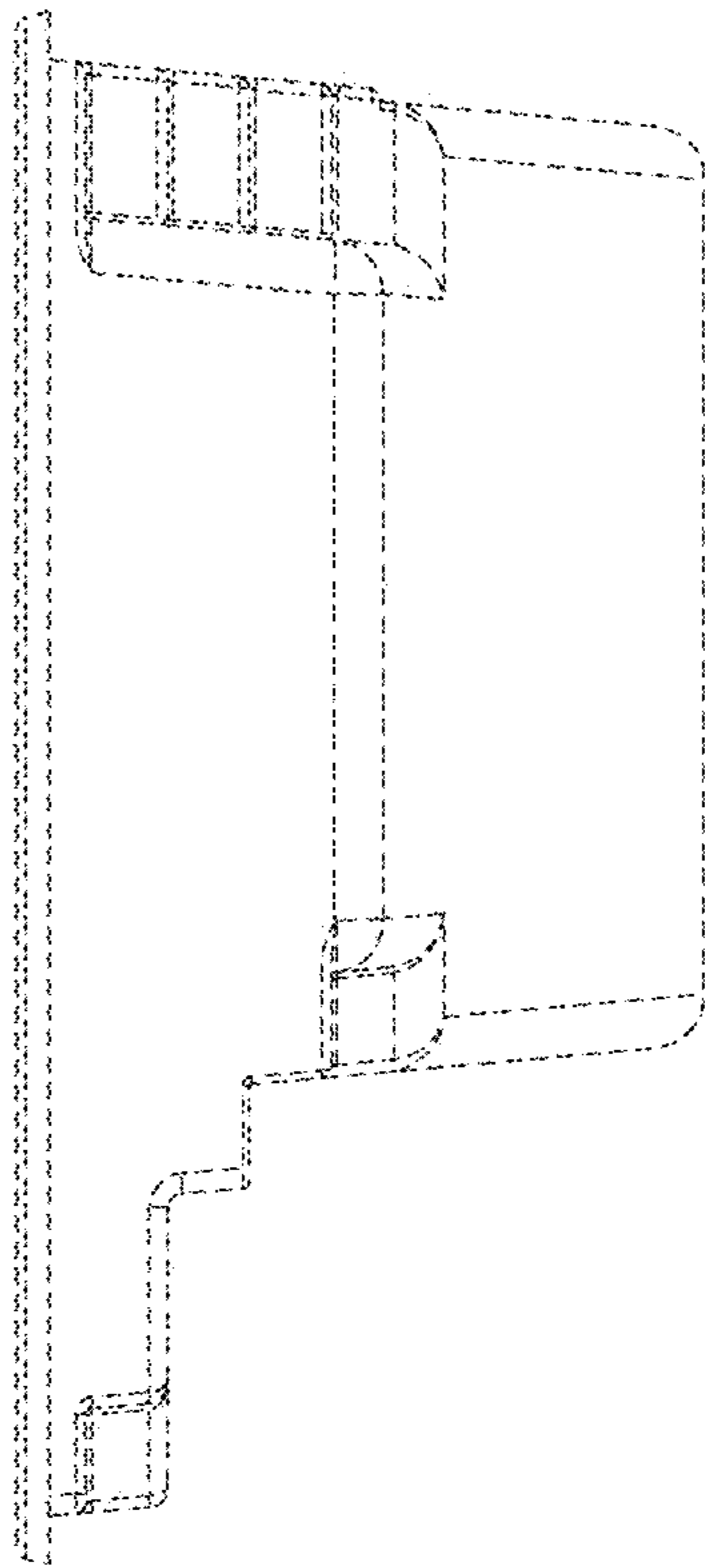


FIG. 3

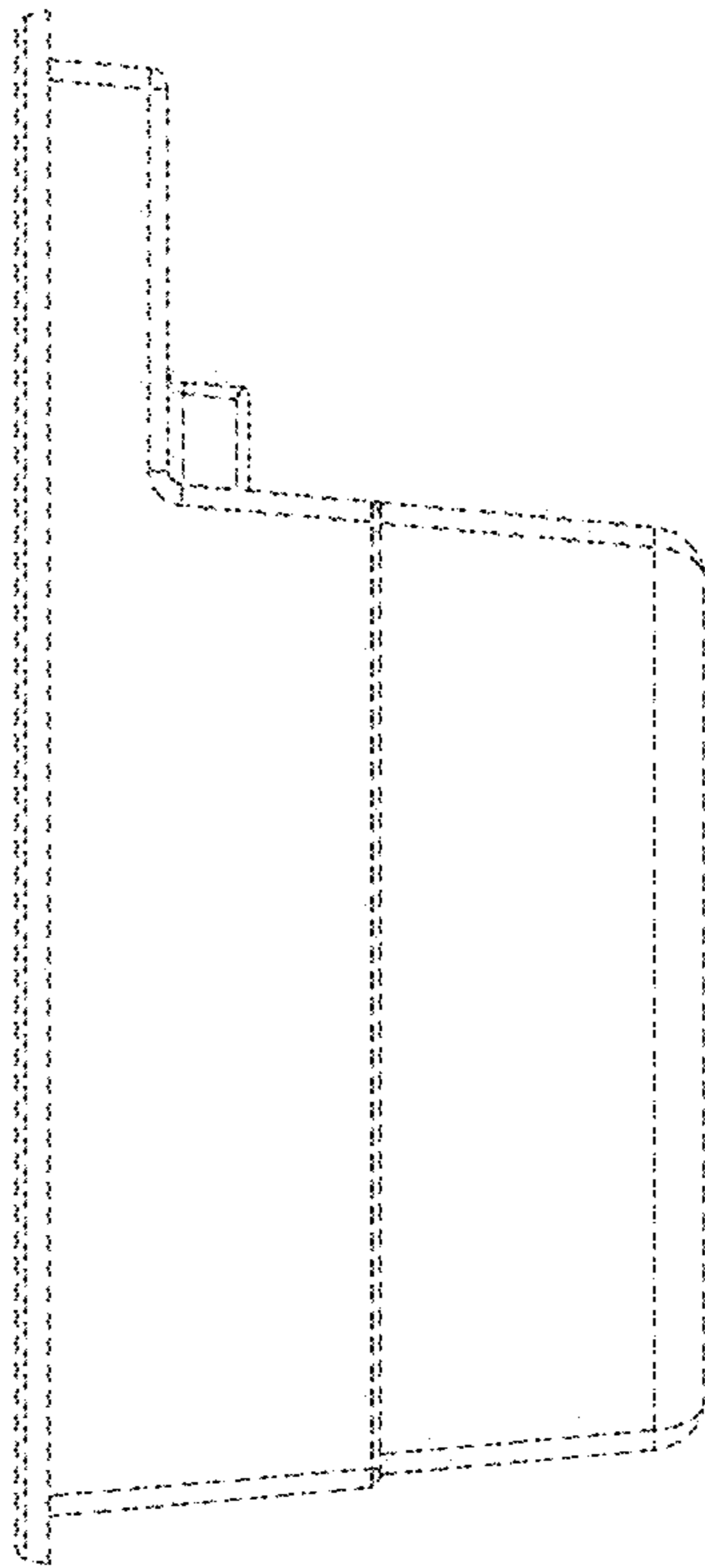


FIG. 4

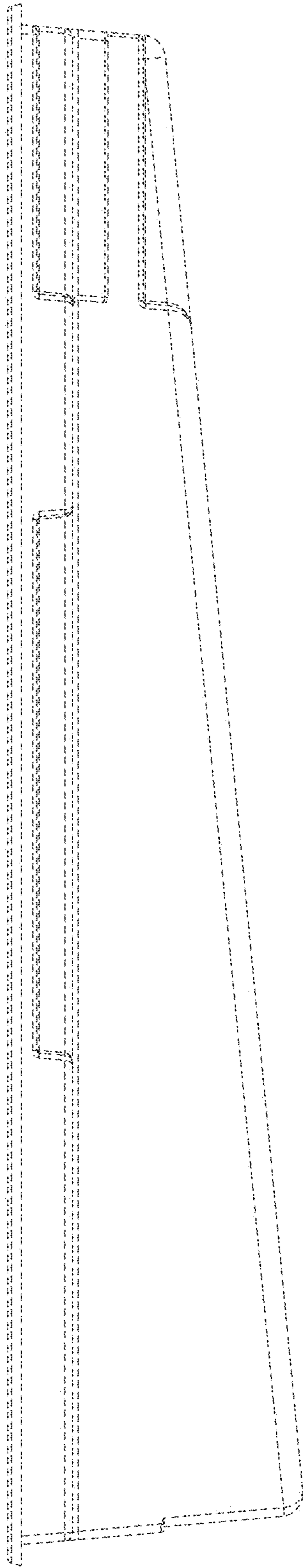


FIG. 5

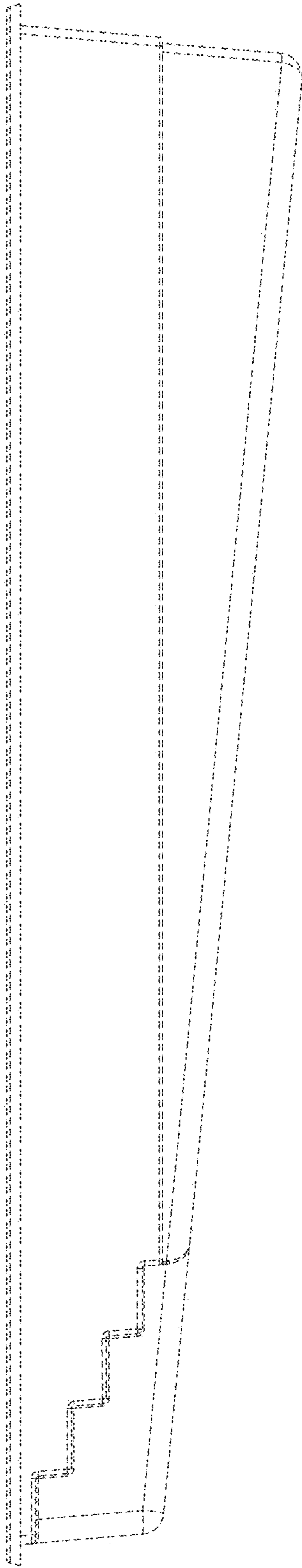


FIG. 6



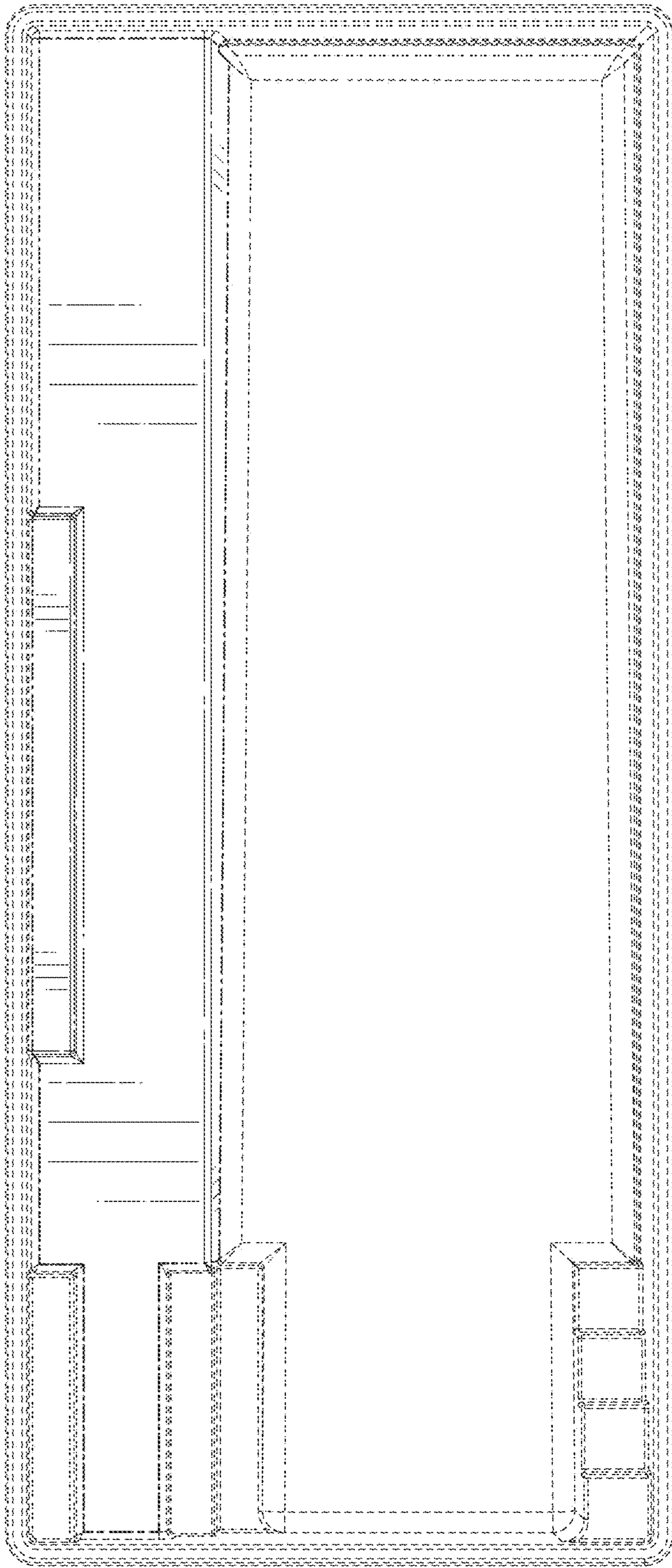


FIG. 7

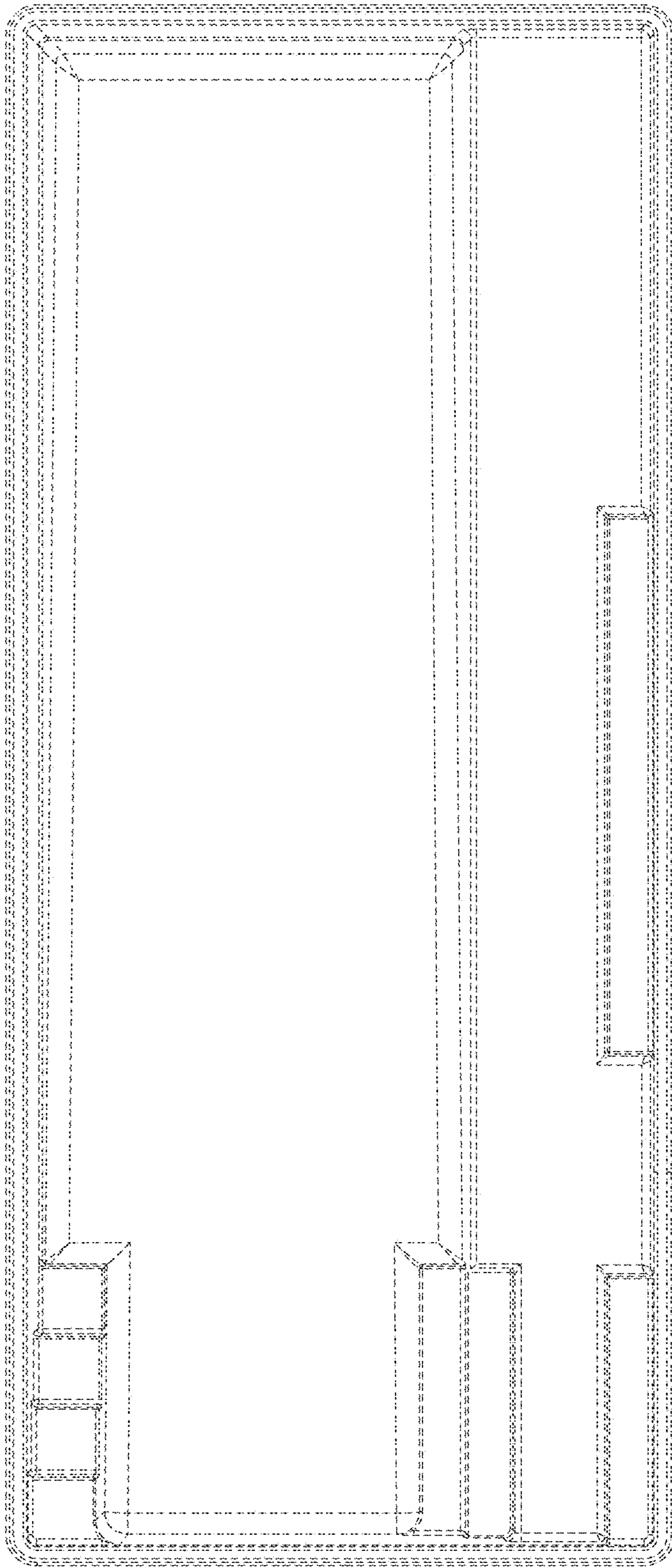


FIG. 8