



US00D984670S

(12) **United States Design Patent**
Lim

(10) **Patent No.:** **US D984,670 S**

(45) **Date of Patent:** **** Apr. 25, 2023**

(54) **PLASMA TREATMENT DEVICE FOR IMPLANT SURFACE**

(71) Applicant: **PLASMAPP CO., LTD.**, Daejeon (KR)

(72) Inventor: **Youbong Lim**, Daejeon (KR)

(73) Assignee: **PLASMAPP CO., LTD.**, Daejeon (KR)

(**) Term: **15 Years**

(21) Appl. No.: **29/760,870**

(22) Filed: **Dec. 4, 2020**

(51) **LOC (14) Cl.** **24-01**

(52) **U.S. Cl.**
USPC **D24/217**

(58) **Field of Classification Search**
USPC D24/216, 217, 218, 219, 231, 232, 234,
D24/209, 210, 227, 176; D32/1
CPC A61L 2/26; A61L 2/24; A61L 2/07; A61L
2/08; A61L 2/18; A61L 2/25; A61L
2202/122; A61L 2202/11; A61L 2202/14;
A61L 2202/23; A61L 2202/24; A61L
2202/25; A61L 2/04; A61L 2/14; A61B
90/70; A61B 2090/701
See application file for complete search history.

(56) **References Cited**

U.S. PATENT DOCUMENTS

D243,556 S * 3/1977 Thomas D24/217
D353,465 S * 12/1994 Arioka D24/232
D421,308 S * 2/2000 Johansson D24/217
D645,975 S * 9/2011 Barkey D24/232
D760,915 S * 7/2016 Kagawa D24/217

D907,233 S * 1/2021 Wu D24/217
D916,311 S * 4/2021 Yoo D24/217
D942,014 S * 1/2022 Elazar D24/176
2016/0270875 A1 * 9/2016 Park A61B 90/70
2020/0360550 A1 * 11/2020 Jun A61L 2/14

OTHER PUBLICATIONS

TradeKorea. ACTILINK mini. Unknown publication date. Retrieved from internet on Jul. 6, 2022 at <https://www.tradekorea.com/product/detail/P797665?recommendId=0>.*

* cited by examiner

Primary Examiner — Anhdao Doan

(74) *Attorney, Agent, or Firm* — Sughrue Mion, PLLC

(57) **CLAIM**

The ornamental design for a plasma treatment device for implant surface, as shown and described.

DESCRIPTION

FIG. 1 is a perspective view of a plasma treatment device for implant surface showing our new design;
FIG. 2 is a front view thereof;
FIG. 3 is a rear view thereof;
FIG. 4 is a left-side view thereof;
FIG. 5 is a right-side view thereof;
FIG. 6 is a top plan view thereof; and,
FIG. 7 is a bottom plan view thereof.
The features of the plasma treatment device for implant surface shown in broken lines form no part of the claimed design.

1 Claim, 7 Drawing Sheets

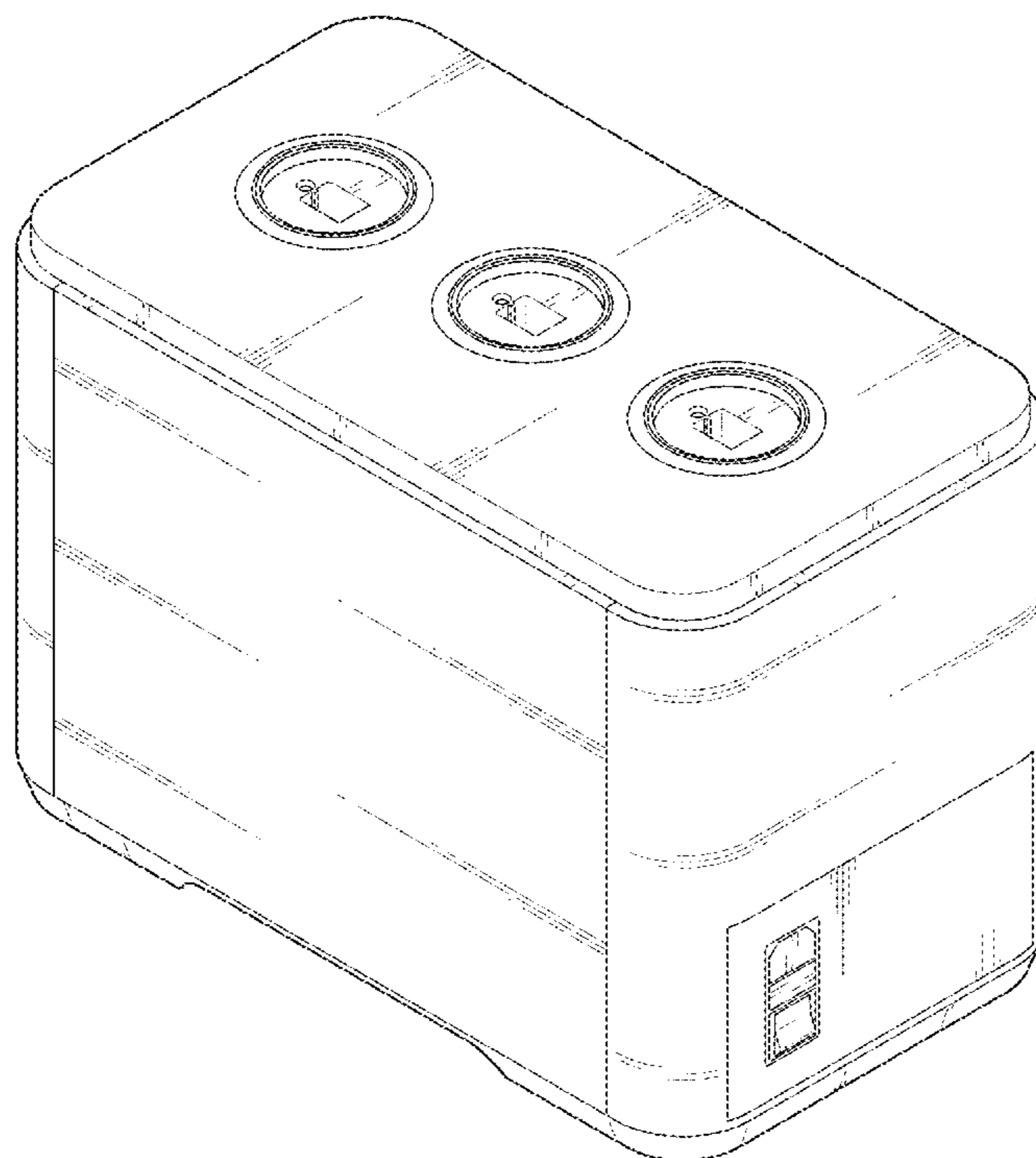


FIG.1

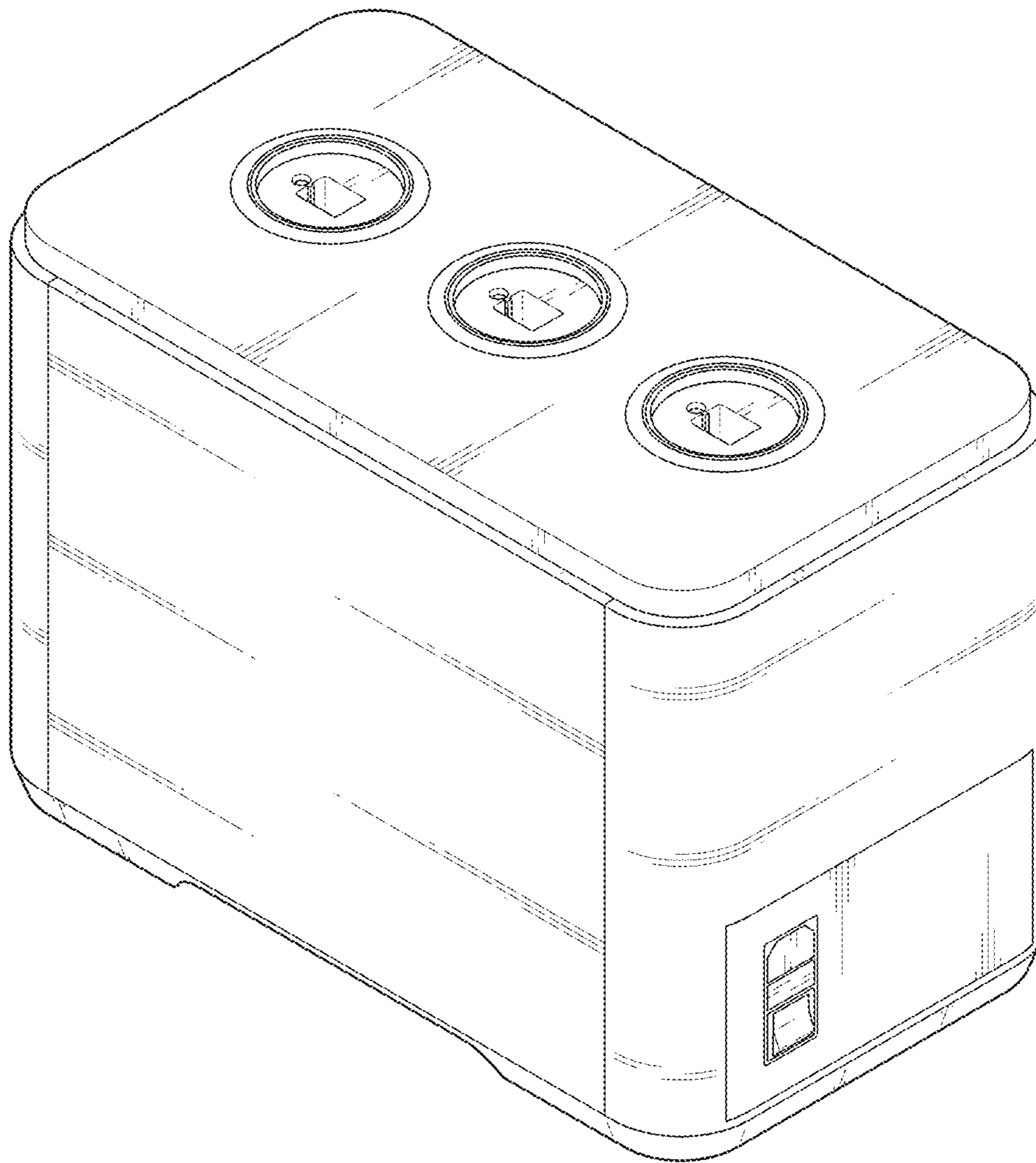


FIG.2

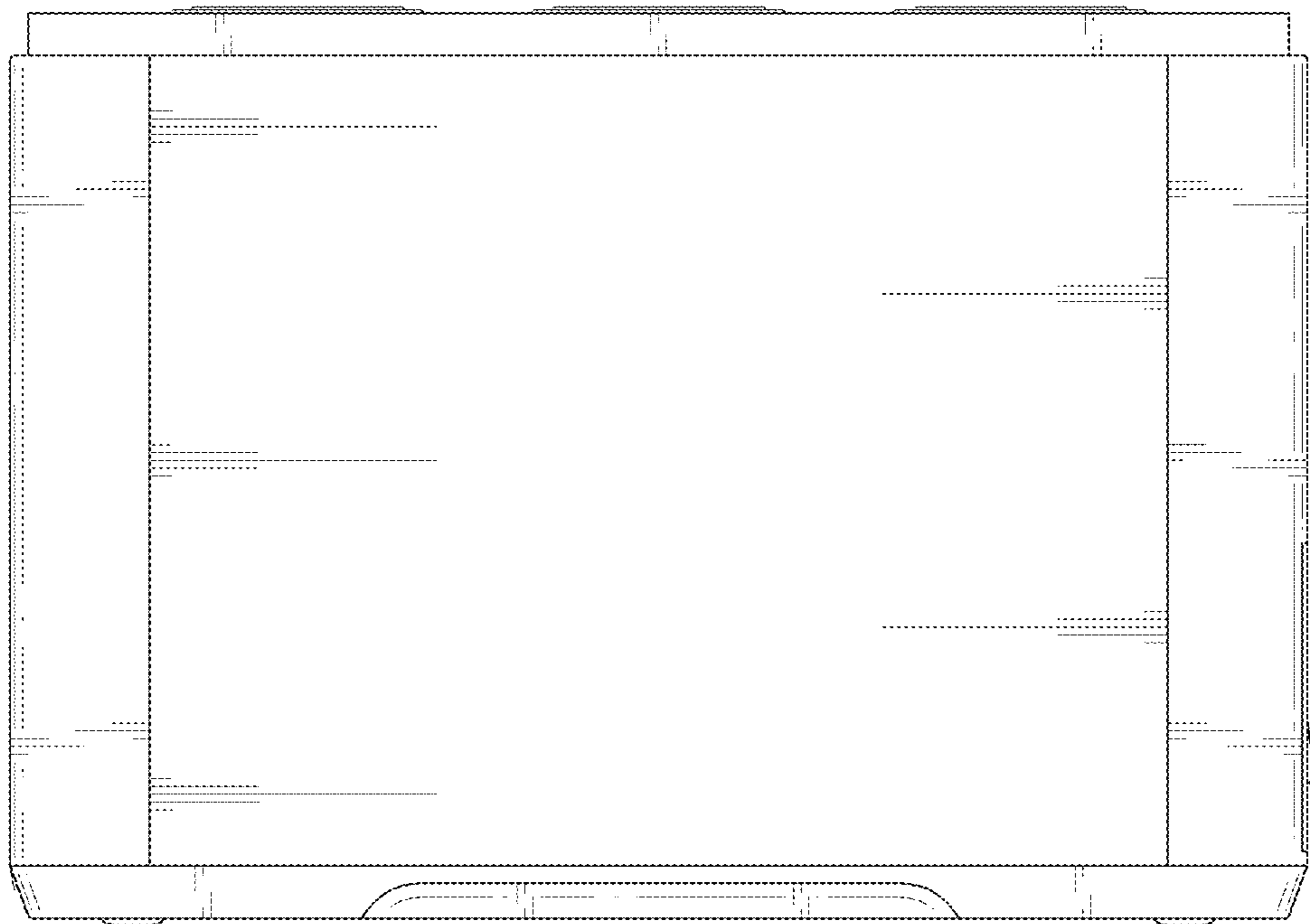
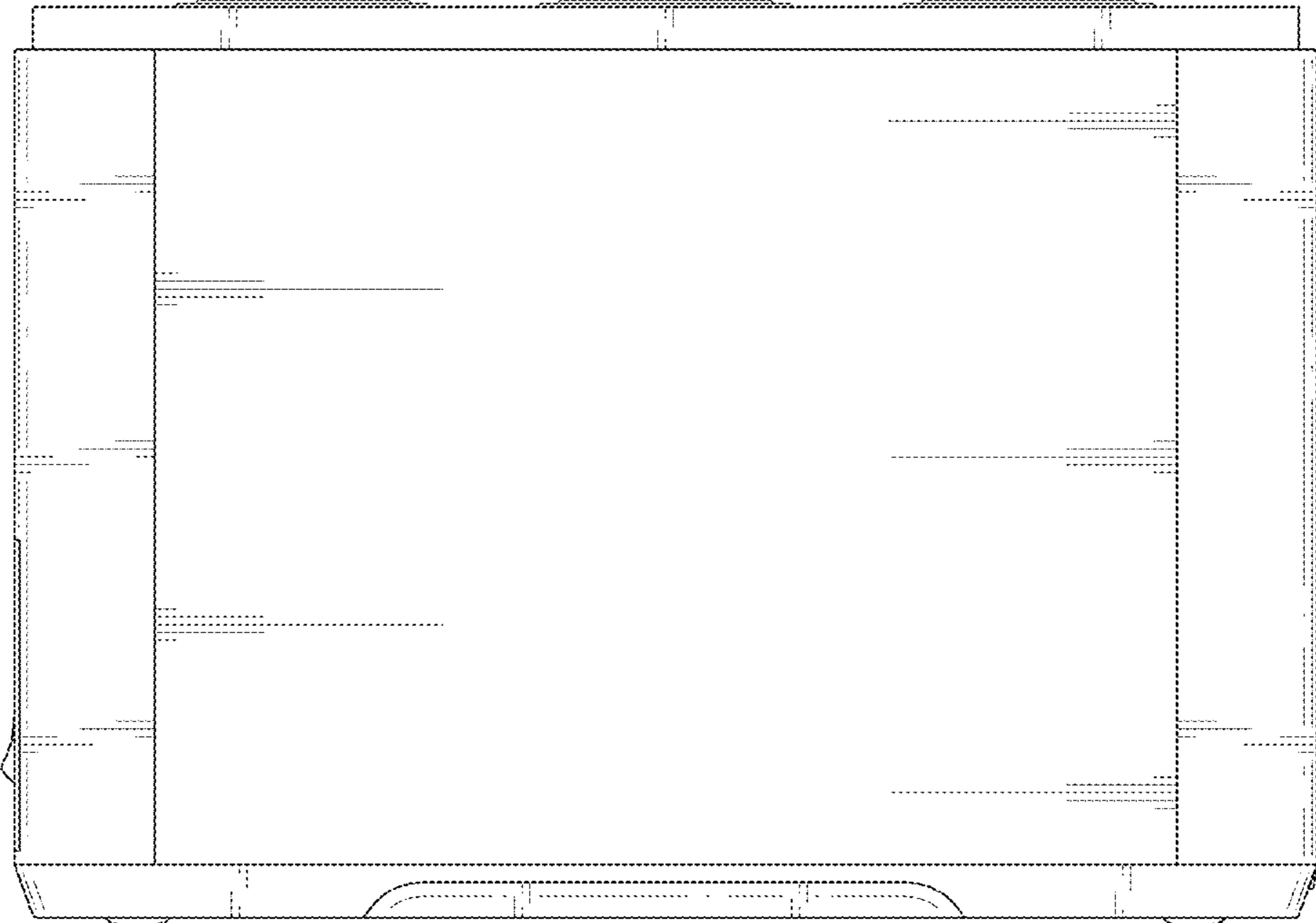


FIG.3



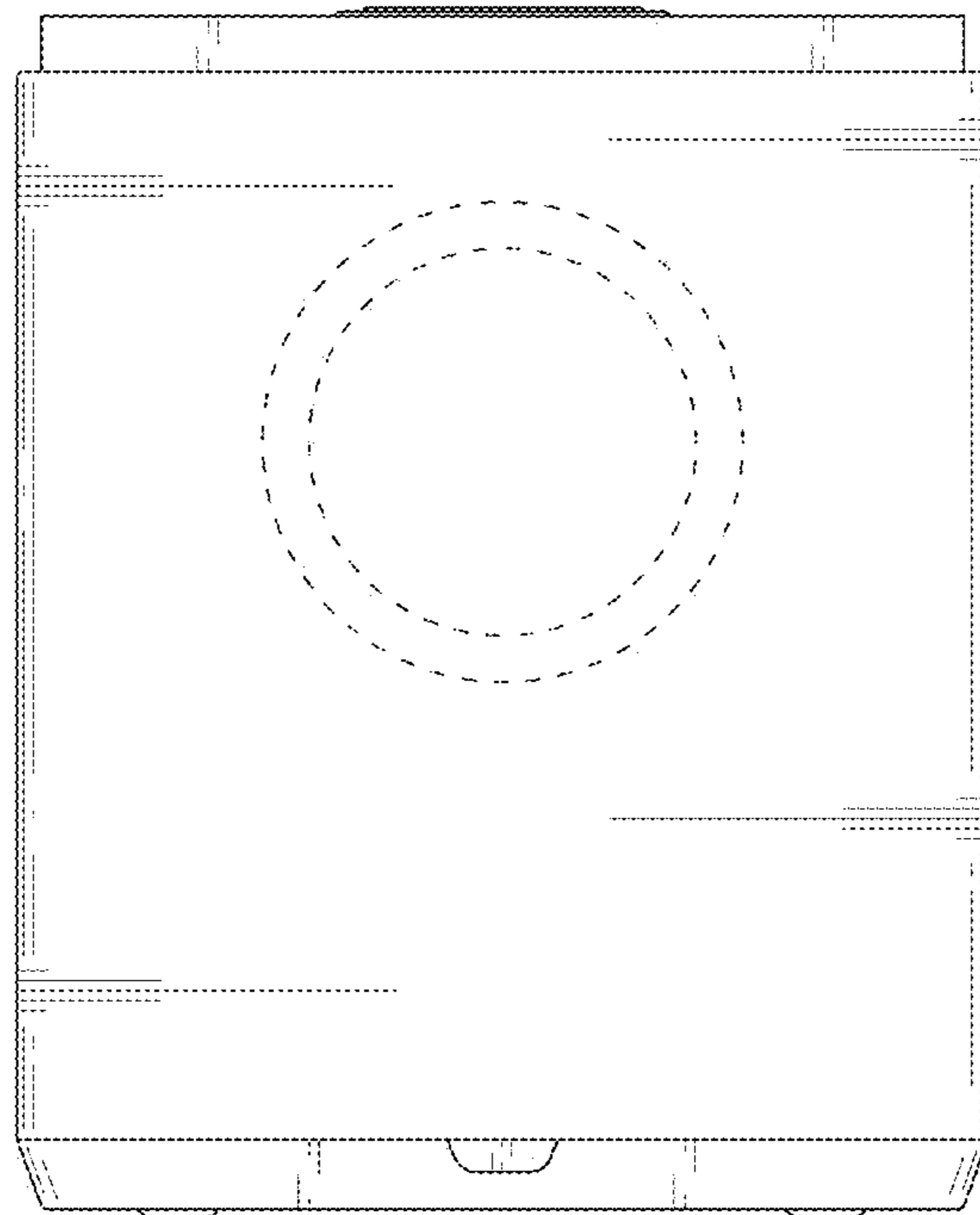


FIG. 4

FIG.5

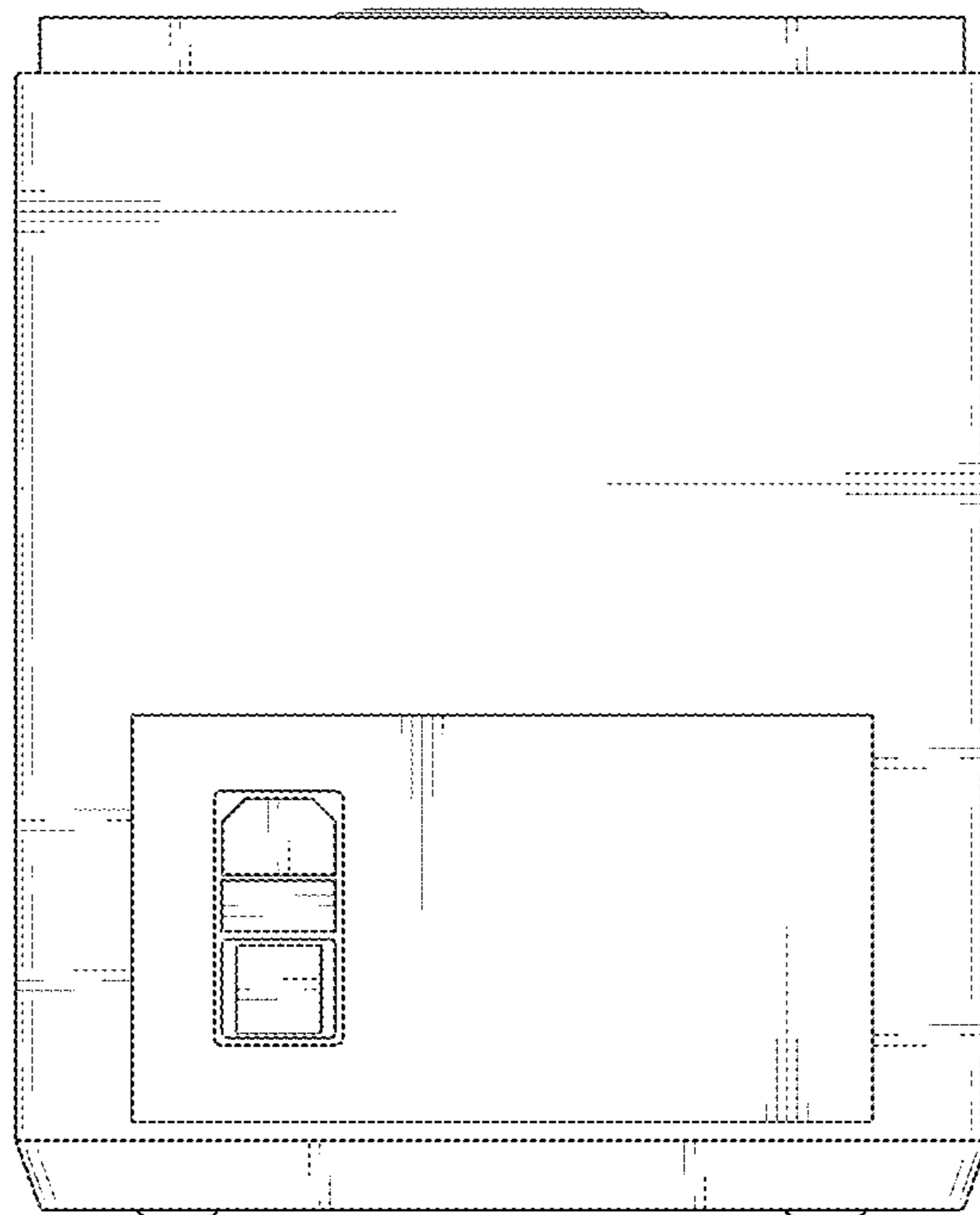


FIG.6

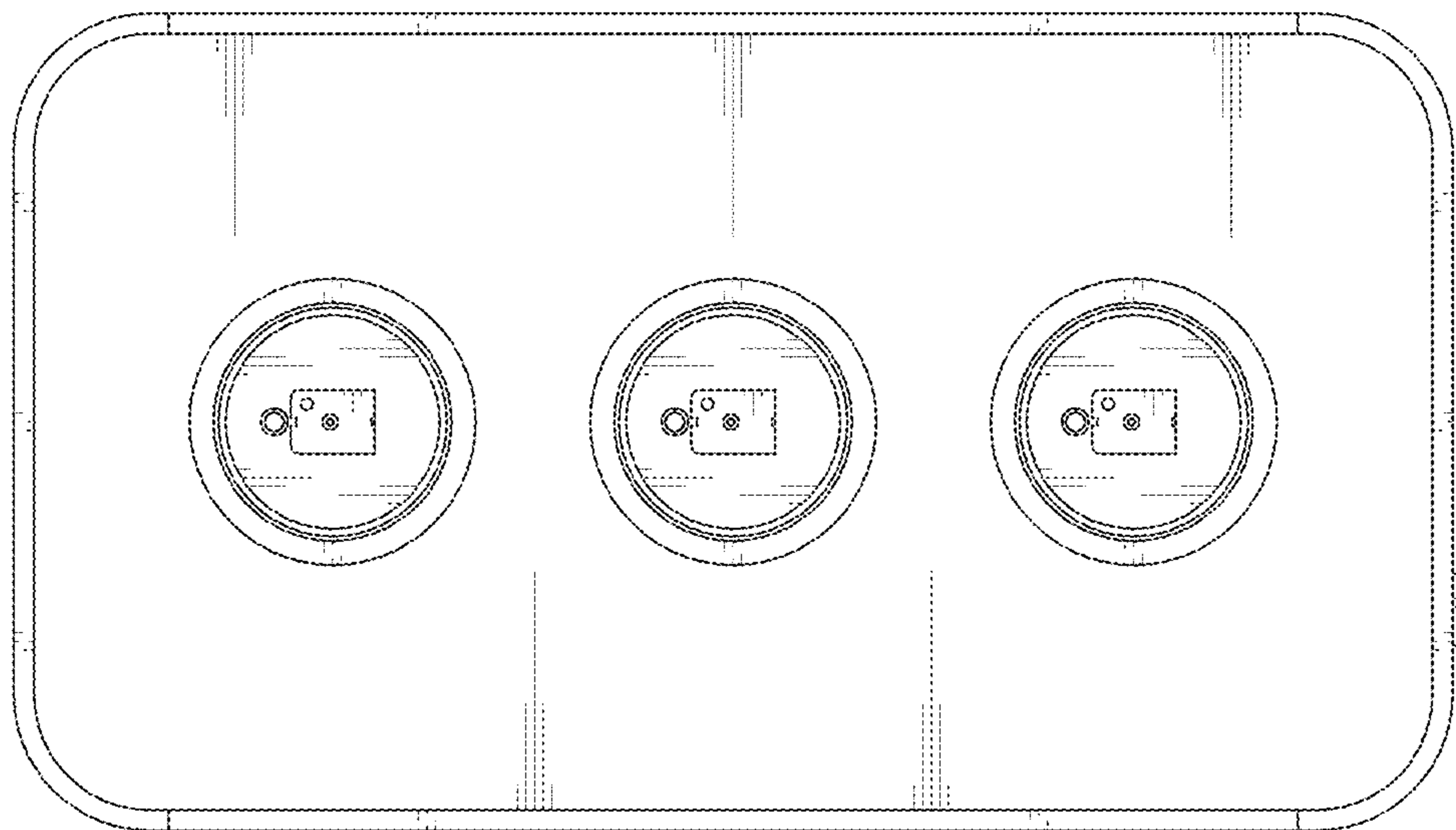


FIG.7

