



US00D984669S

(12) **United States Design Patent**
Chan et al.

(10) **Patent No.:** **US D984,669 S**
(45) **Date of Patent:** **** Apr. 25, 2023**

(54) **MEDICAL DIAGNOSTIC DEVICE**
(71) Applicant: **DNA Medicine Institute, Inc.**,
Cambridge, MA (US)
(72) Inventors: **Eugene Y. Chan**, Boston, MA (US);
Marcus Atkin, Derby (GB)
(73) Assignee: **DNA Medicine Institute, Inc.**, Bedford,
MA (US)
(**) Term: **15 Years**
(21) Appl. No.: **29/785,328**
(22) Filed: **May 25, 2021**
(51) **LOC (14) Cl.** **24-01**
(52) **U.S. Cl.**
USPC **D24/216**
(58) **Field of Classification Search**
USPC D24/107, 186, 216, 232, 233, 234;
D10/81
CPC ... G01N 2035/00306; G01N 35/00871; G01N
33/4835; G01N 33/48792; G01N 35/025
See application file for complete search history.

D720,466 S * 12/2014 Edding D24/223
D746,999 S * 1/2016 Jonsson D24/216
D752,240 S * 3/2016 Chan D24/216
D906,536 S * 12/2020 Kozono D24/216
D960,385 S * 8/2022 Schubert D24/186

* cited by examiner

Primary Examiner — Anhdao Doan

(74) *Attorney, Agent, or Firm* — Danielson Legal LLC

(57) **CLAIM**

The ornamental design for a medical diagnostic device, as shown and described.

DESCRIPTION

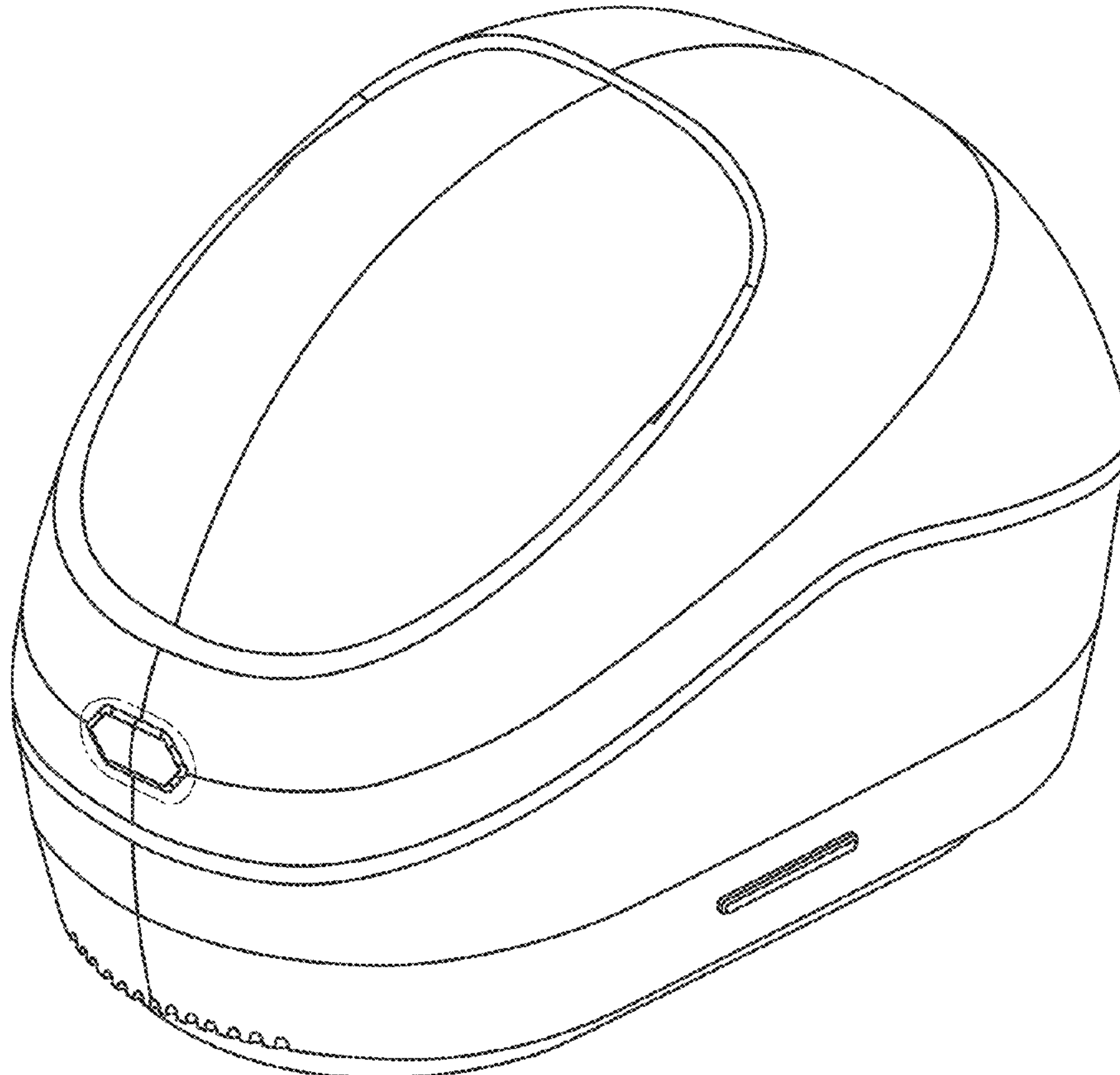
FIG. 1 is a front view of a medical diagnostic device of the present invention;
FIG. 2 is a front, side perspective view thereof;
FIG. 3 is another front, side perspective view thereof;
FIG. 4 is a rear view thereof;
FIG. 5 is a bottom view thereof;
FIG. 6 is a top view thereof with a cover removed;
FIG. 7 is a top, front perspective view thereof;
FIG. 8 is a front view thereof;
FIG. 9 is a side view thereof; and,
FIG. 10 is a top, side perspective view thereof.

(56) **References Cited**

U.S. PATENT DOCUMENTS

D647,209 S * 10/2011 Muller D24/216
D665,917 S * 8/2012 TerMaat D24/216

1 Claim, 10 Drawing Sheets



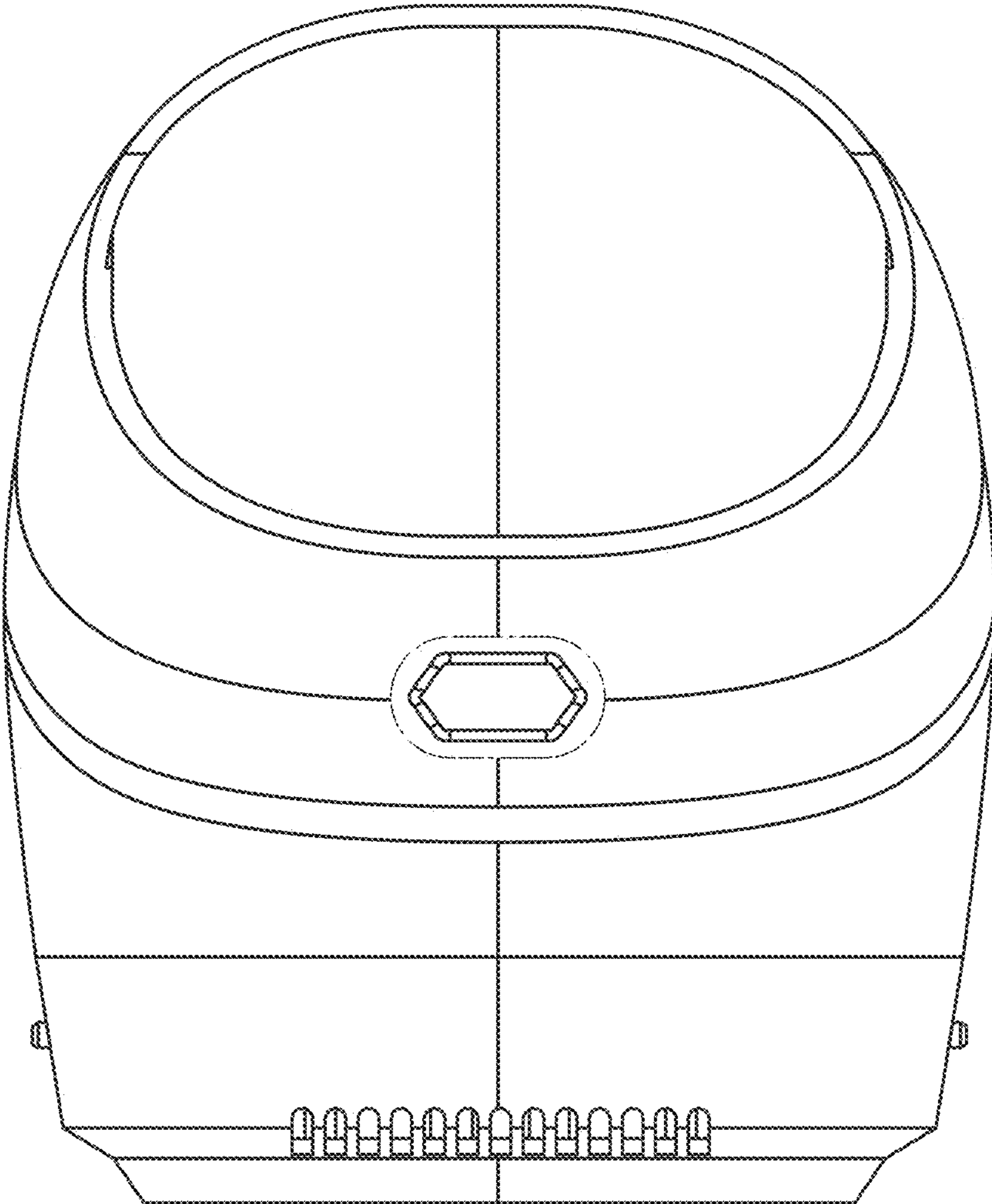


FIG. 1

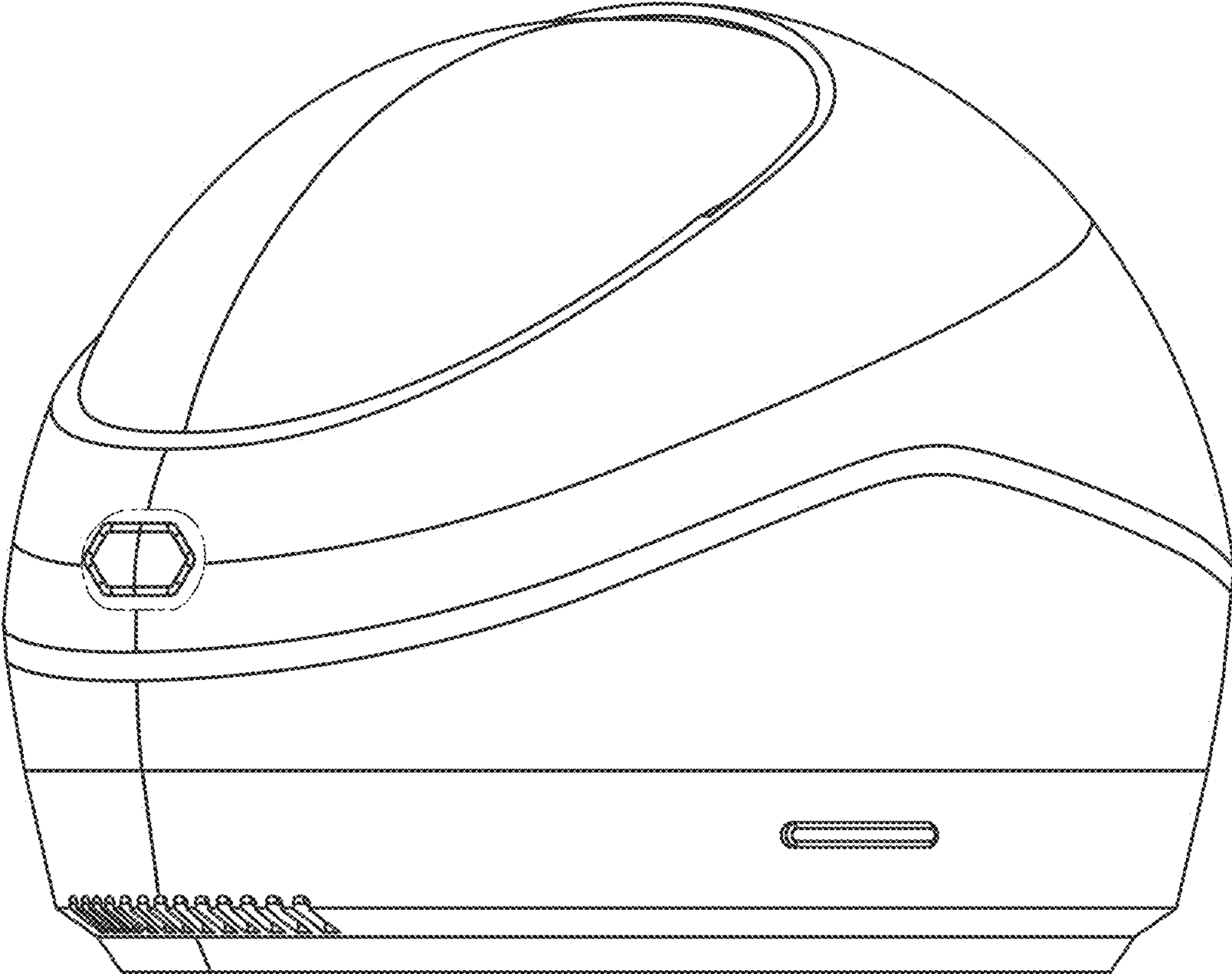


FIG. 2

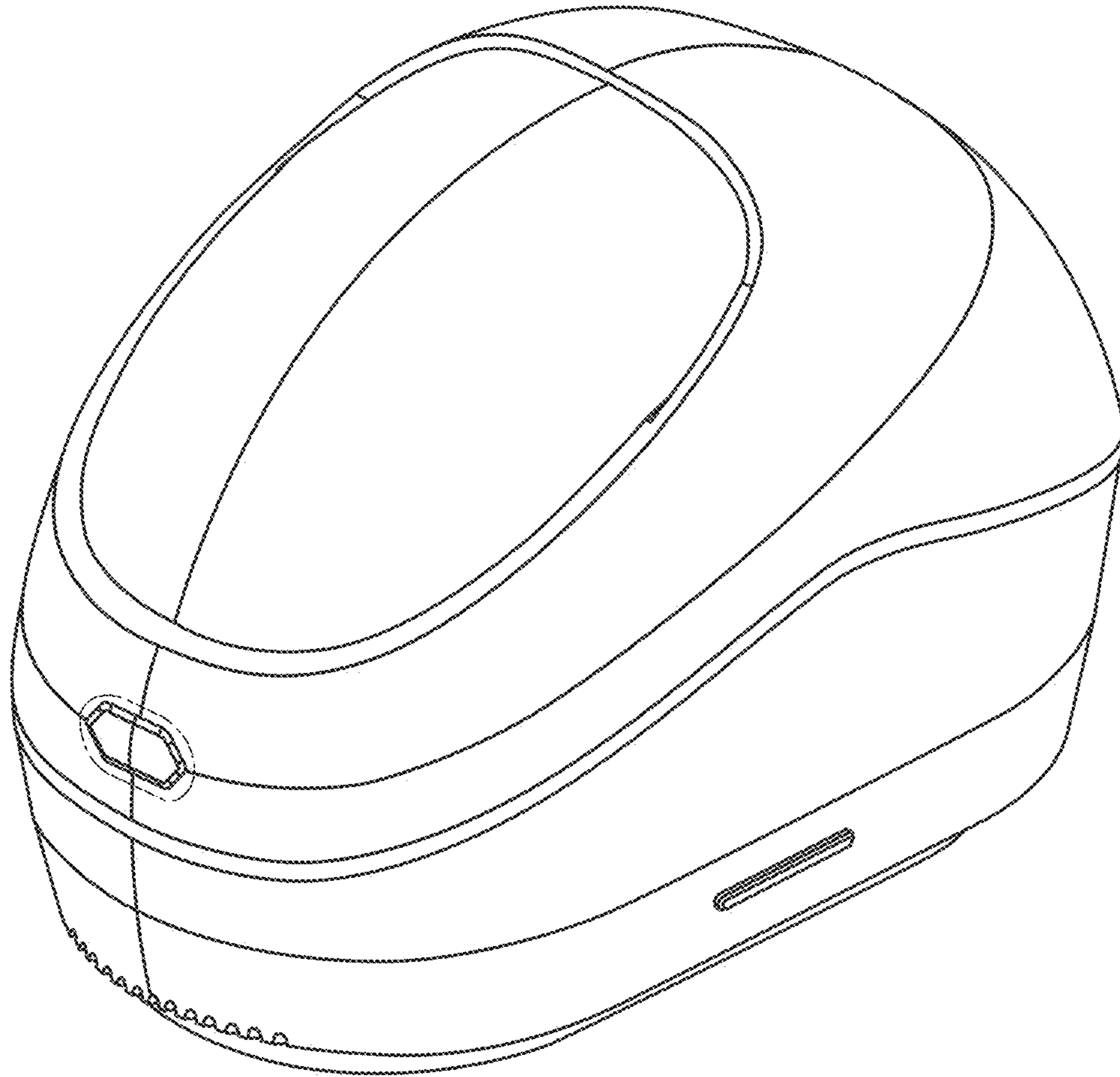


FIG. 3

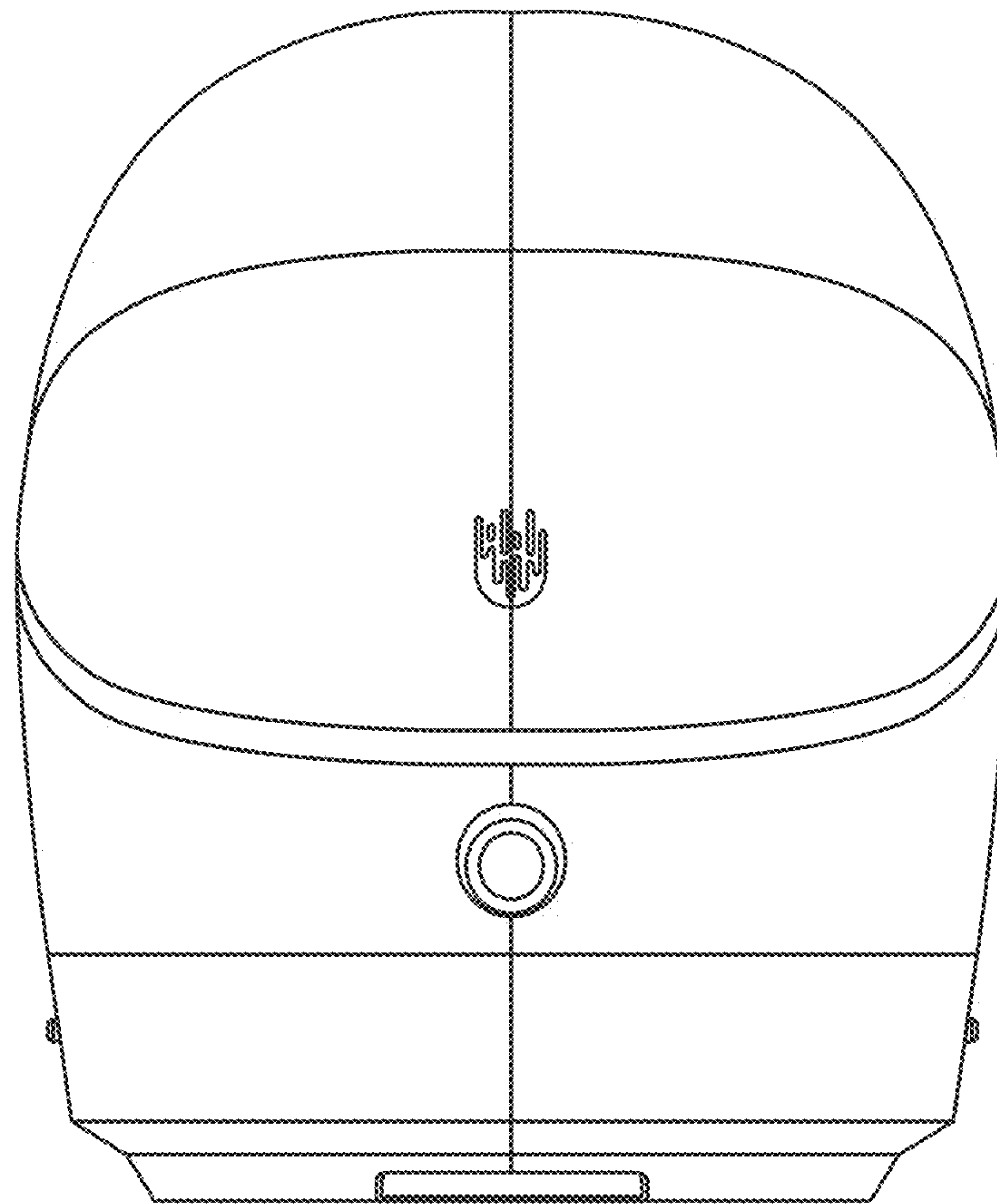


FIG. 4

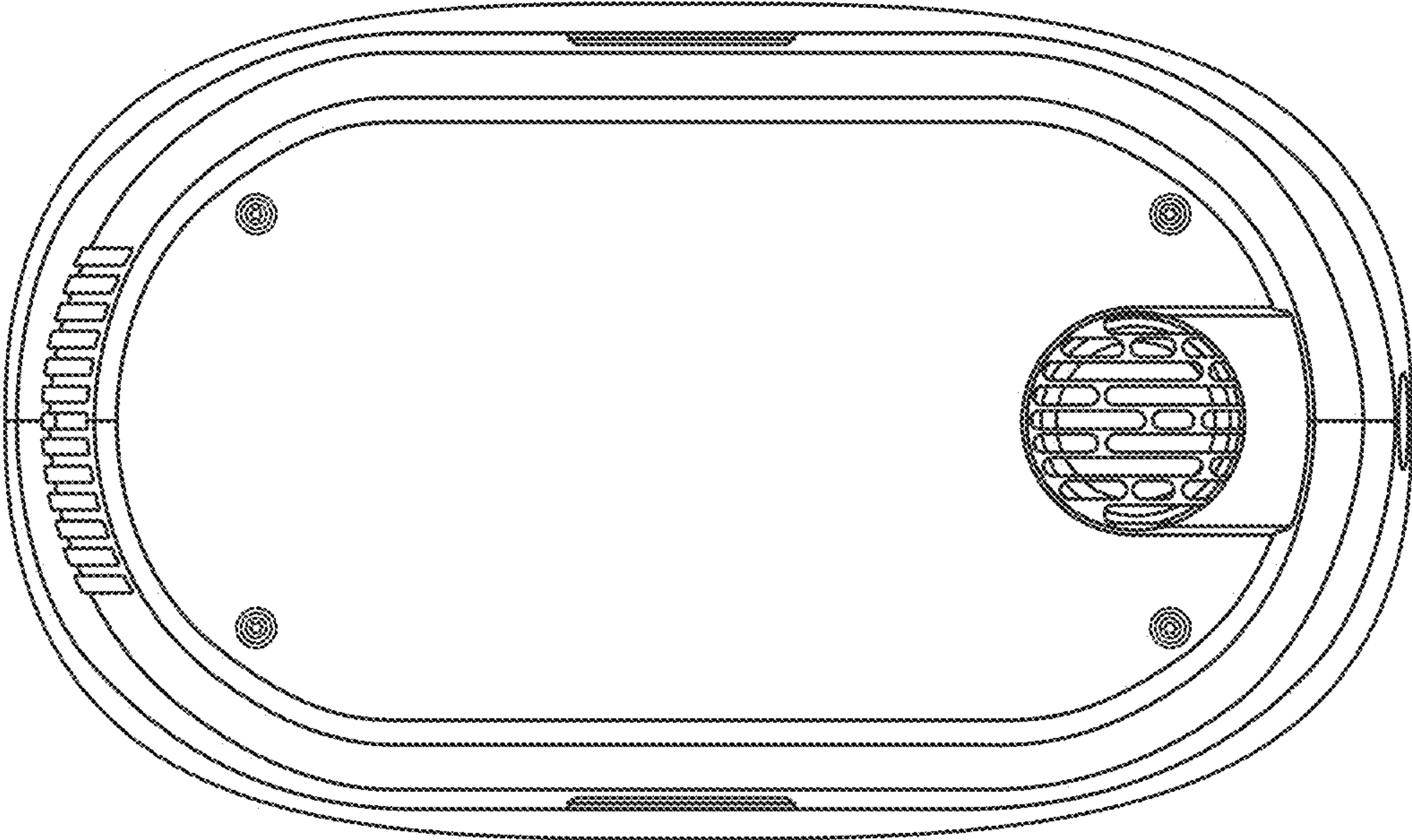


FIG. 5

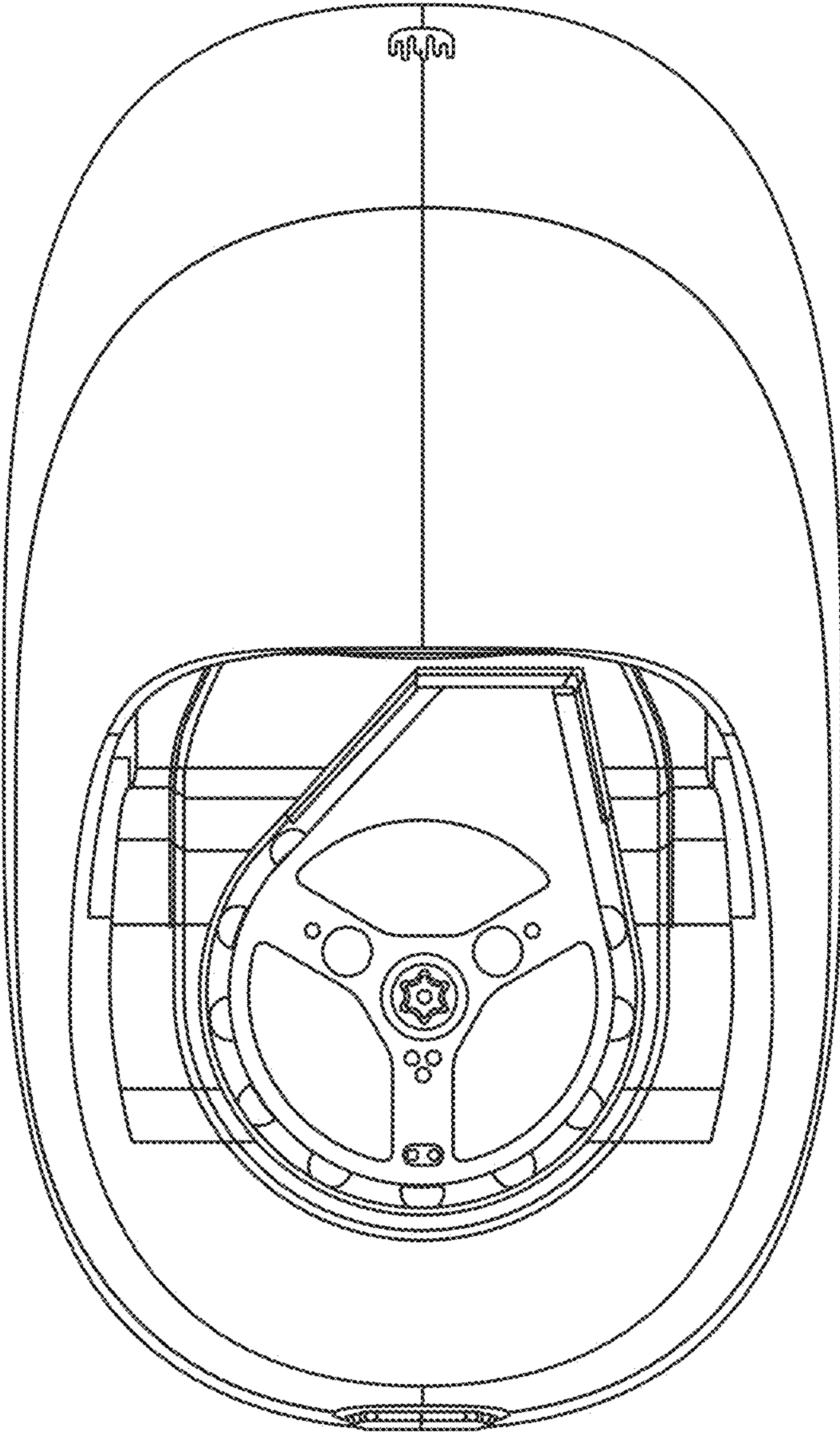


FIG. 6

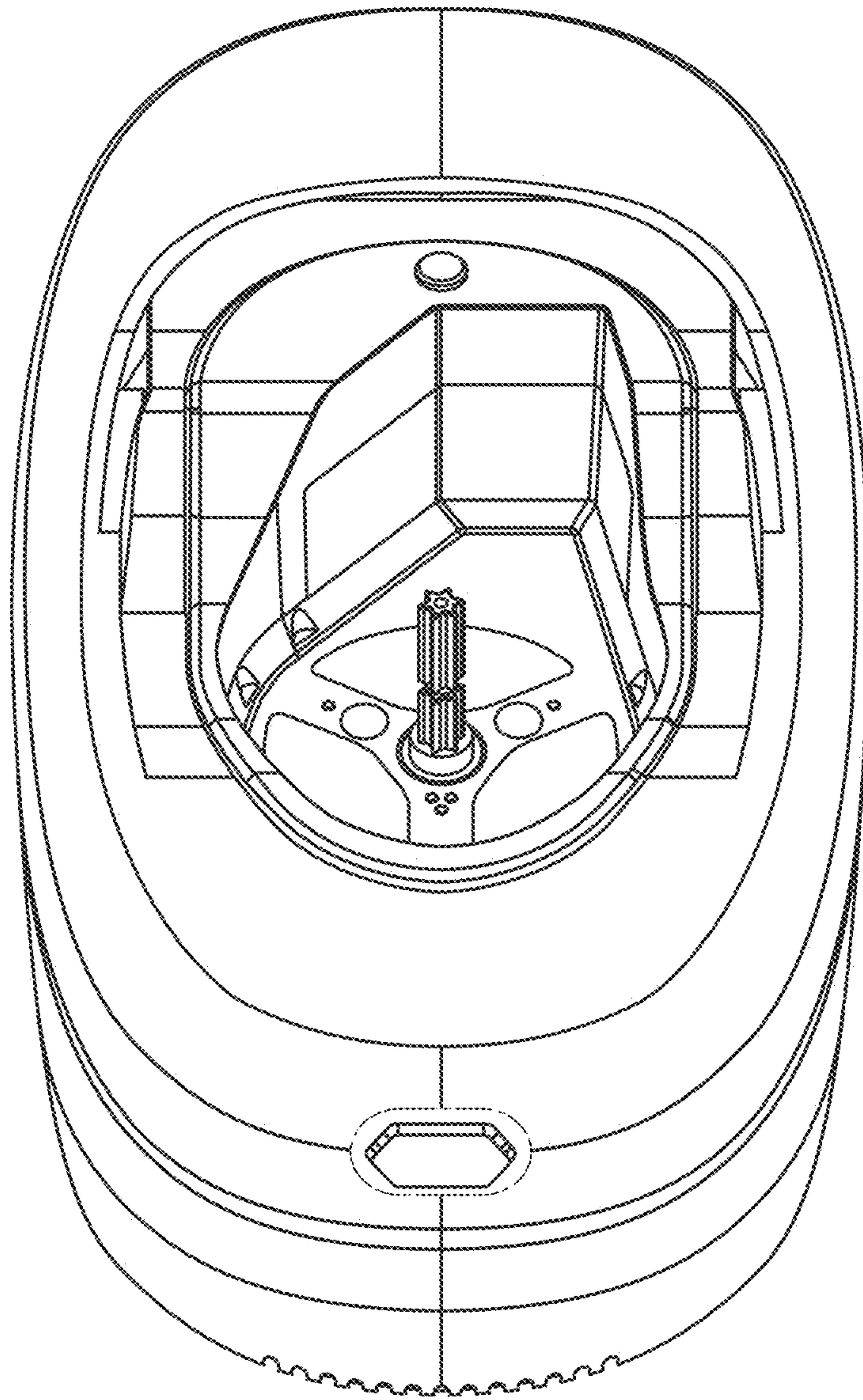


FIG. 7

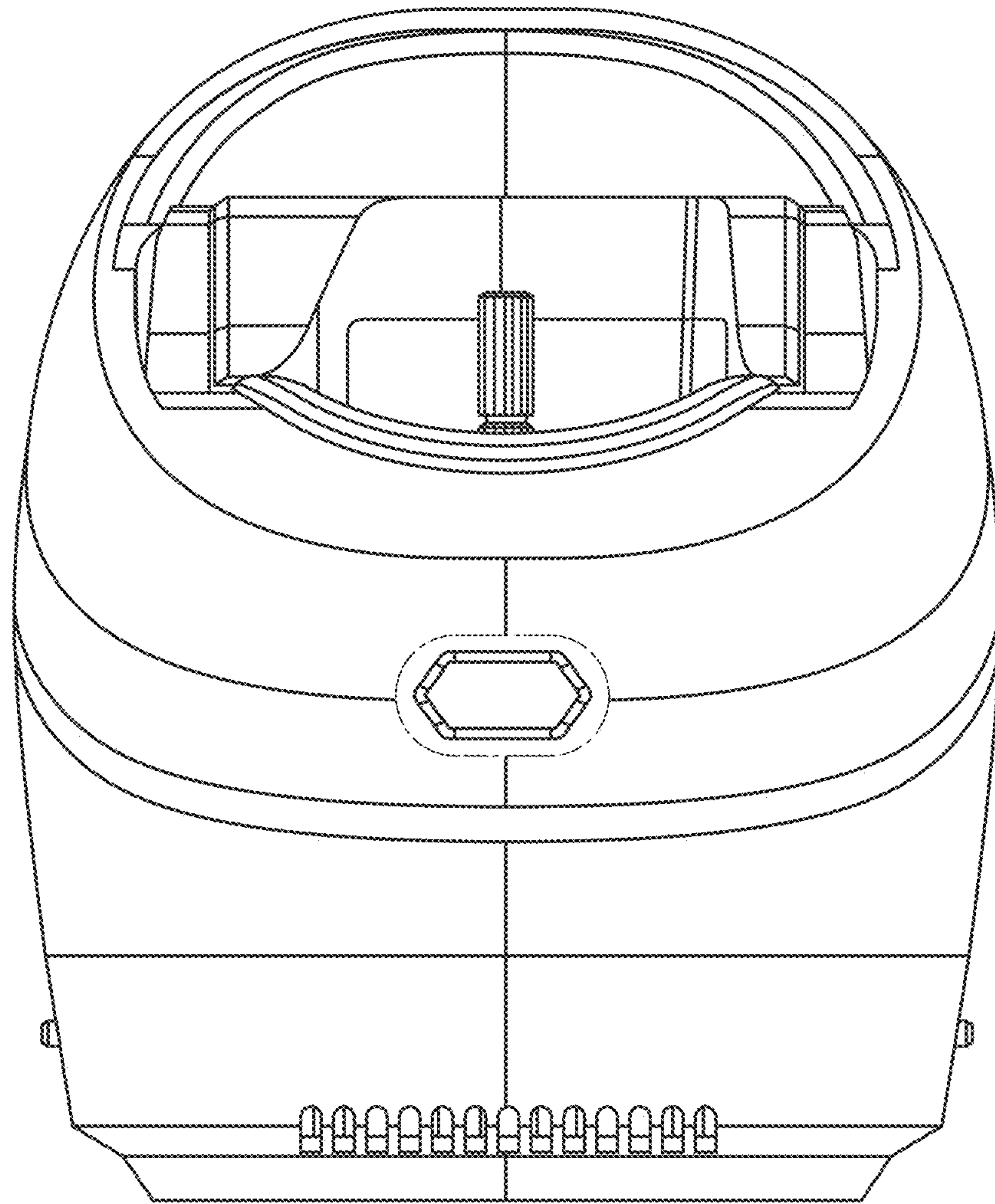


FIG. 8

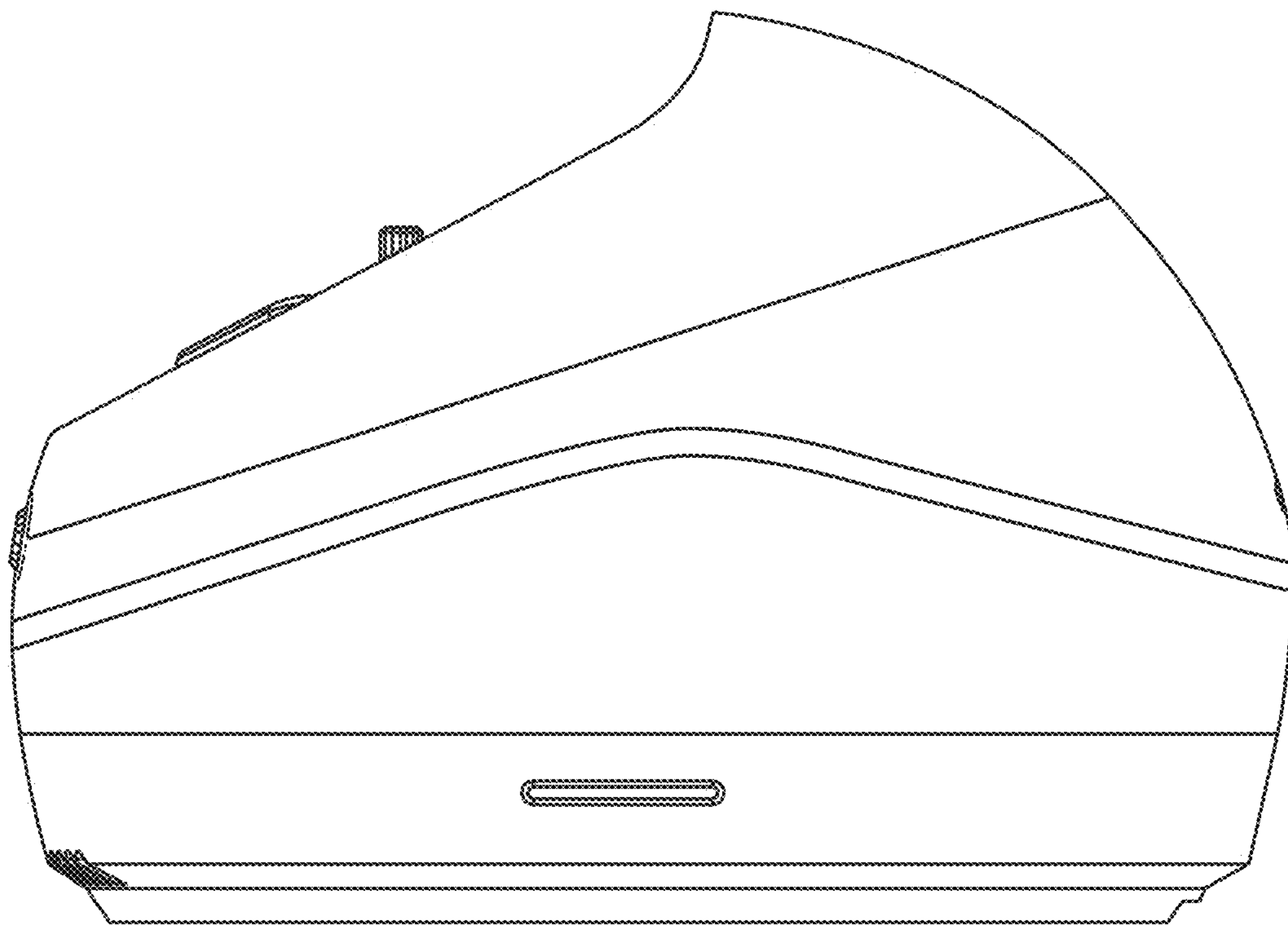


FIG. 9

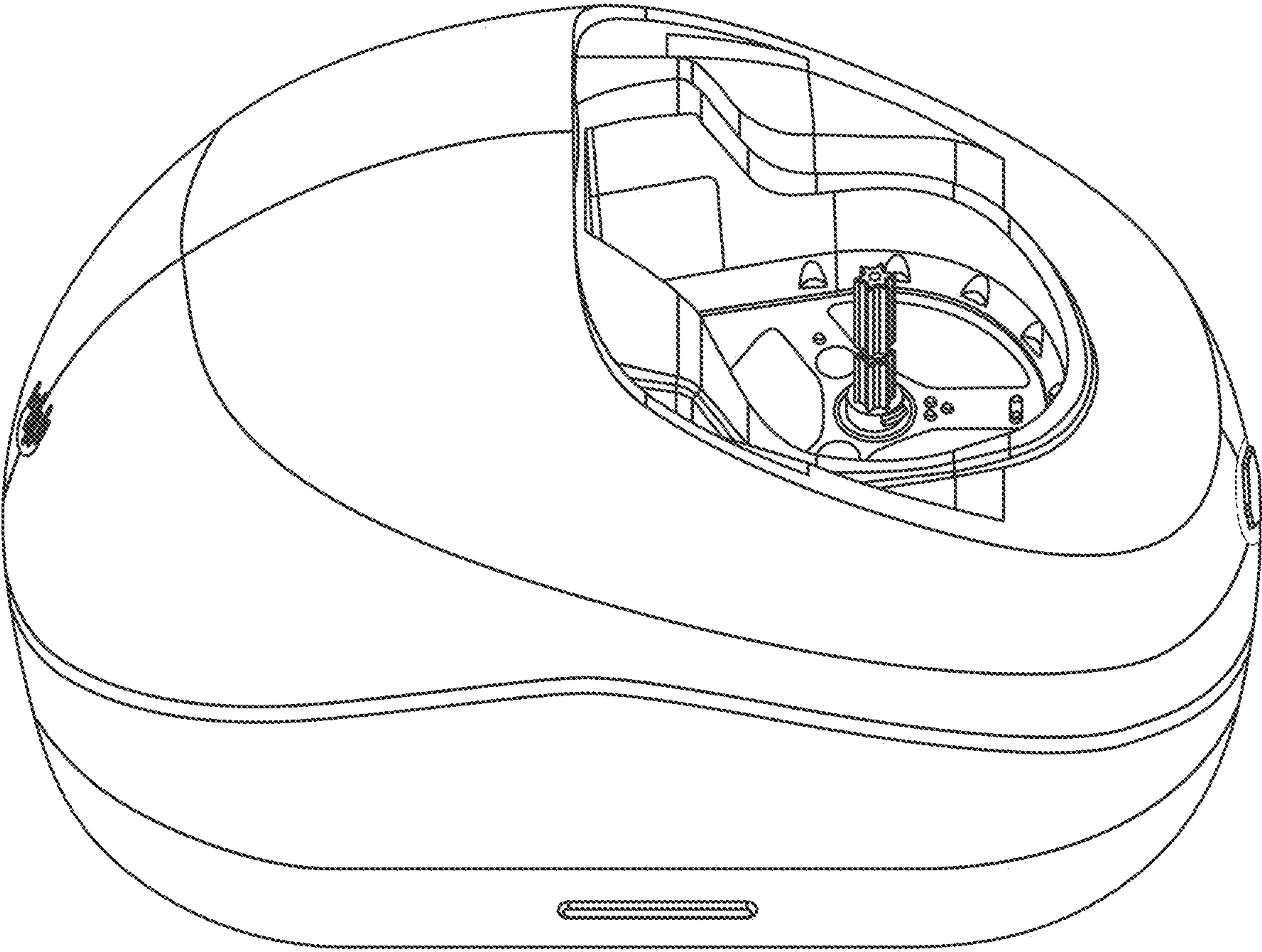


FIG. 10