



US00D984667S

(12) **United States Design Patent**
Zhang

(10) **Patent No.:** **US D984,667 S**

(45) **Date of Patent:** **** Apr. 25, 2023**

(54) **VIBRATOR**

OTHER PUBLICATIONS

(71) Applicant: **Wenbin Zhang**, Dongguan (CN)

(72) Inventor: **Wenbin Zhang**, Dongguan (CN)

(**) Term: **15 Years**

(21) Appl. No.: **29/857,341**

(22) Filed: **Oct. 21, 2022**

(51) **LOC (14) Cl.** **24-01**

(52) **U.S. Cl.**
USPC **D24/215**

(58) **Field of Classification Search**
USPC D24/141, 200, 211, 212, 213, 214, 215
CPC A61H 21/00; A61H 19/50; A61H 19/30;
A61H 19/40; A61H 19/00; A61H
2205/087; A61H 2205/00
See application file for complete search history.

Amazon, "3 in 1 Toy Prostate Massager", Date First Available: Feb. 22, 2022. https://www.amazon.com.au/Prostate-Massager-Vibrator-Thrusting-Vibration/dp/B09T3FRML3/ref=d_pd_sbs_sccl_2_4/358-8389513-4340709?pd_rd_w=XaVRo&content-id=amzn1.sym.755cc1c2-c681-462d-aff2-17b5612ba539&pf_rd_p=755cc1c2-c681-462d-aff2-17b5612ba539&pf_rd_r=X6V2H7D50NSGS0F2XGW4&pd_rd_wg=UUxJB&pd_rd_r=d5889024-749c-4f79-b8bb-37a0794cc4748pd_rd_i=B09T3FRML3&psc=1 (Year: 2022).*

Amazon, "3 in 1 Remote Prostate Massager", Date First Available: May 21, 2018. https://www.amazon.com/Prostate-Rechargeable-Waterproof-Vibrating-Stimulator/dp/B07D6NNZS9/ref=cm_cr_arpd_product_top?ie=UTF8 (Year: 2018).*

* cited by examiner

Primary Examiner — Michael A Maharajh

(57) **CLAIM**

The ornamental design for a vibrator, as shown and described.

DESCRIPTION

(56) **References Cited**

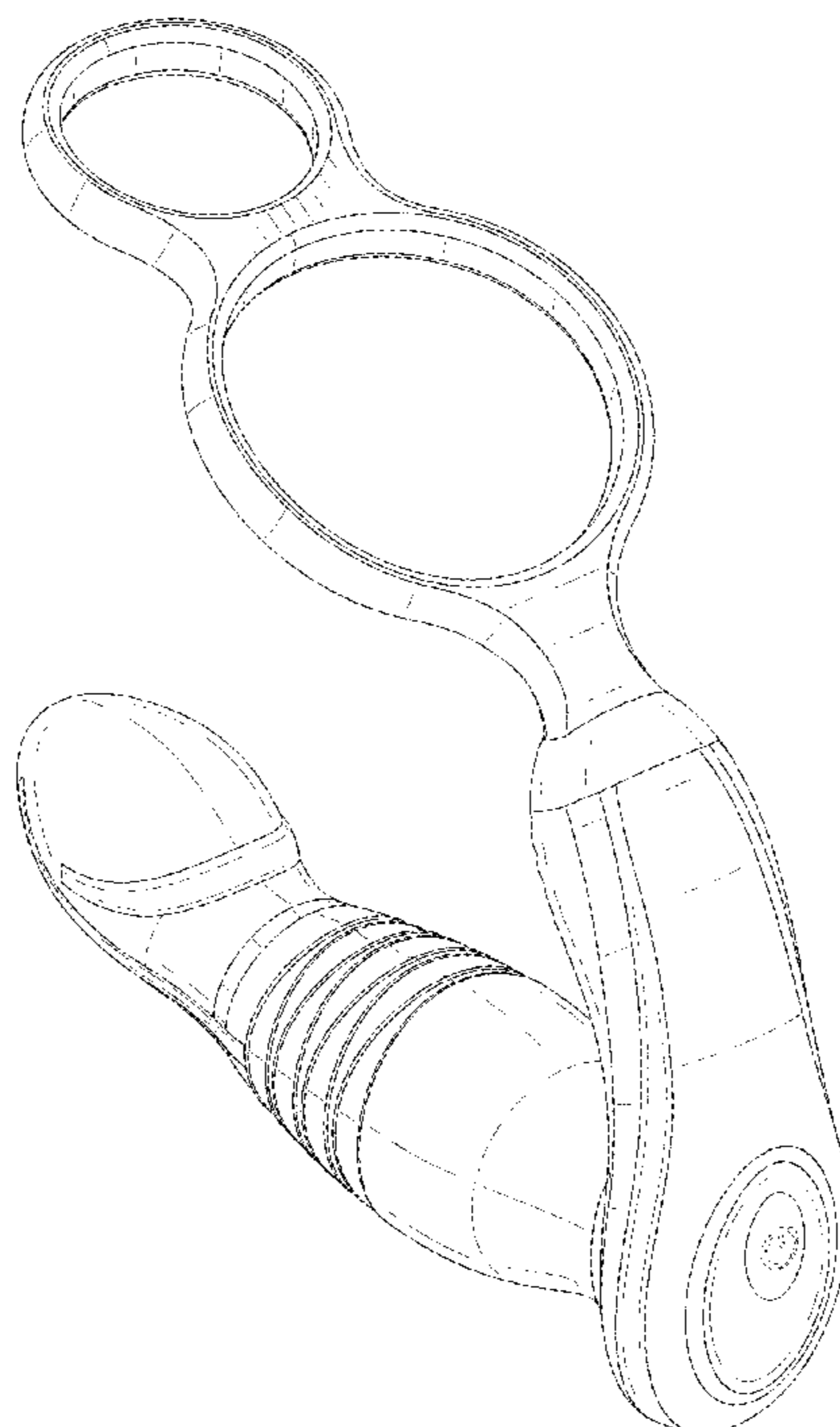
U.S. PATENT DOCUMENTS

D652,943 S *	1/2012	Chong	D24/215
D653,349 S *	1/2012	Chong	D24/215
D666,303 S *	8/2012	Ding	D24/215
D798,465 S *	9/2017	Lin	D24/215
D877,352 S	3/2020	Jouffret		
D893,739 S *	8/2020	Li	D24/215
D927,011 S *	8/2021	Jouffret	D24/215
D936,853 S *	11/2021	Dumler	D24/215
D938,606 S *	12/2021	Dumler	D24/215
D949,388 S *	4/2022	Sedic	D24/215
D952,177 S *	5/2022	Jiang	D24/215
2015/0157531 A1 *	6/2015	Sedic	A61H 19/40 601/46

FIG. 1 is a front perspective view of a vibrator, showing my new design;
FIG. 2 is a rear perspective view thereof;
FIG. 3 is a front view thereof;
FIG. 4 is a rear view thereof;
FIG. 5 is a right side view thereof;
FIG. 6 is a left side view thereof;
FIG. 7 is a top view thereof; and,
FIG. 8 is a bottom view thereof.

The broken lines in the drawings illustrate the portions of the vibrator, which form no part of the claimed design.

1 Claim, 8 Drawing Sheets



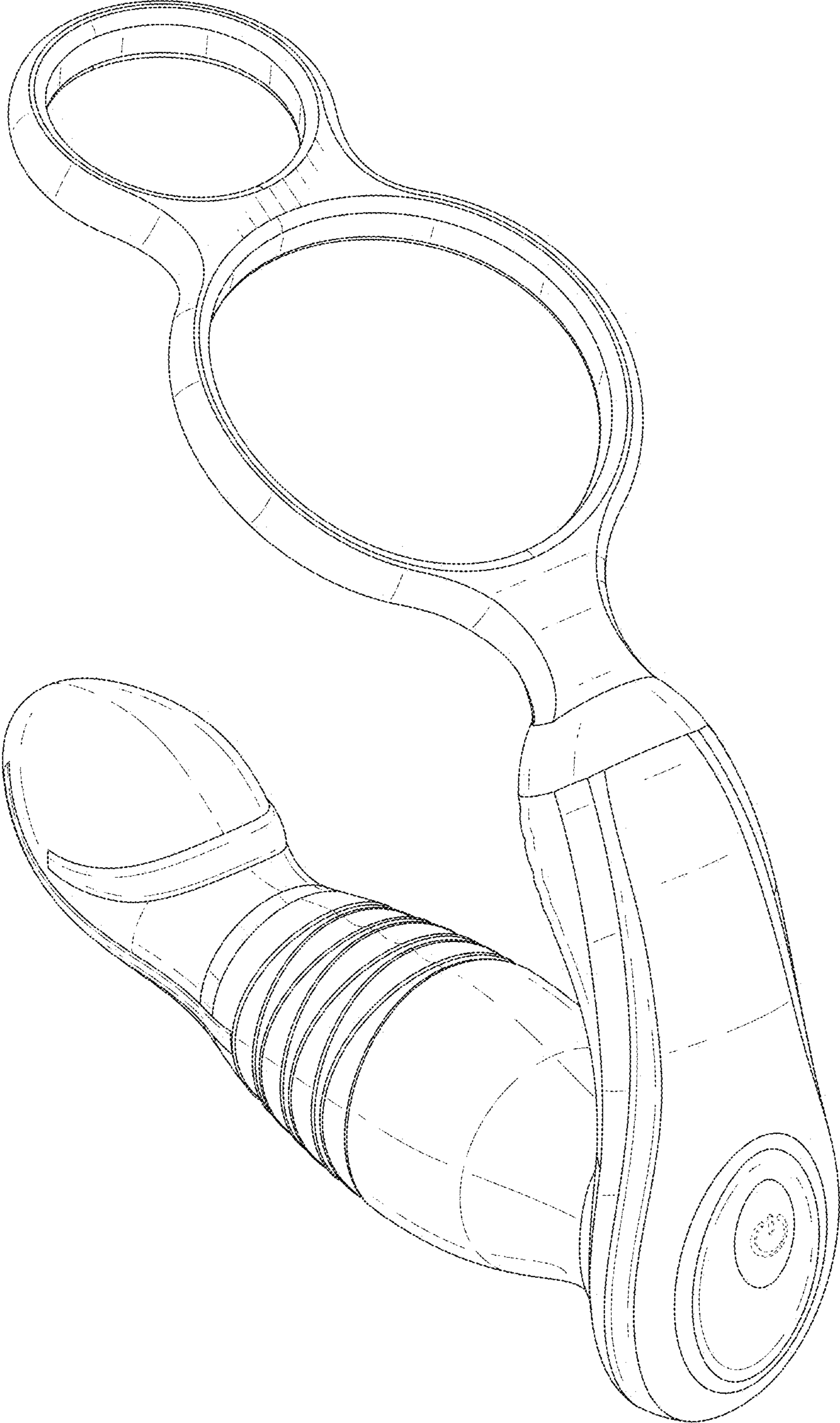


FIG. 1

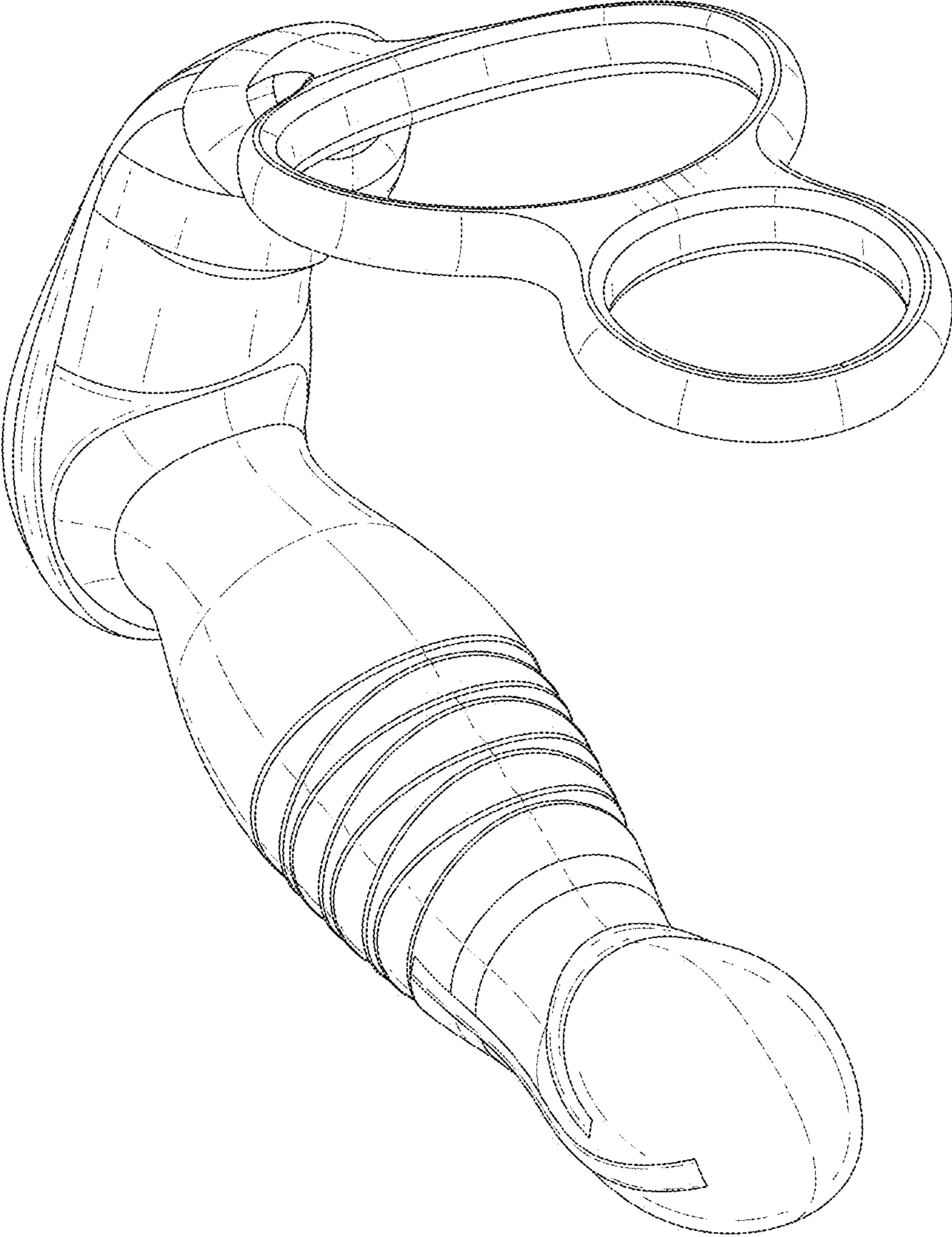


FIG. 2

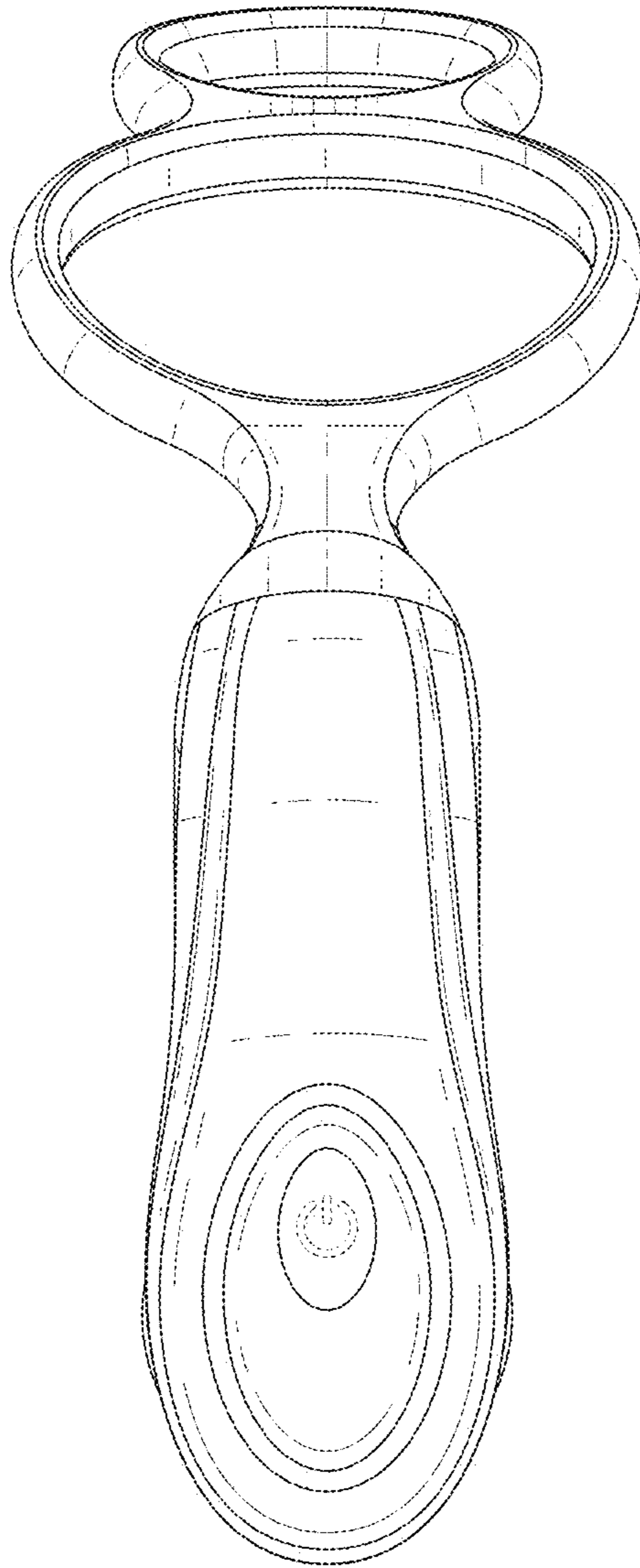


FIG. 3

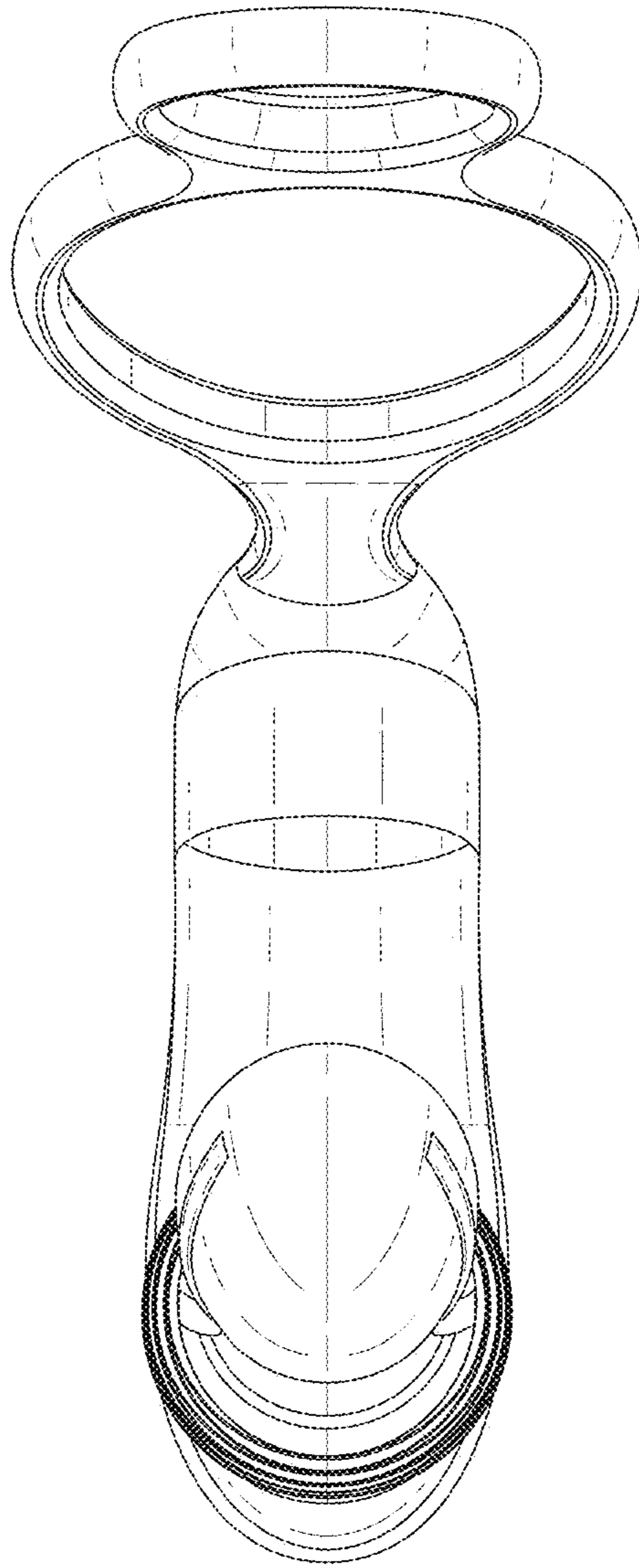


FIG. 4

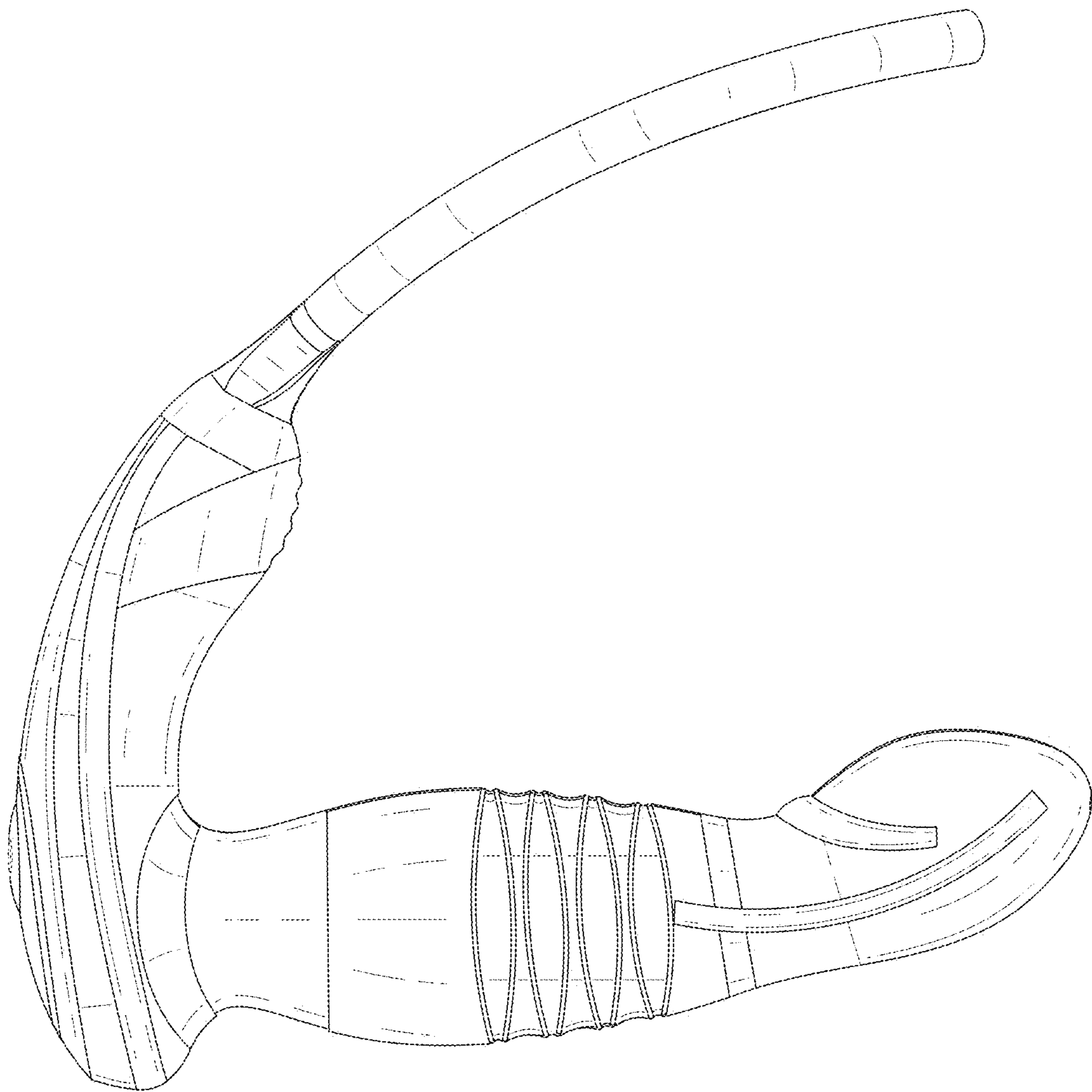


FIG. 5

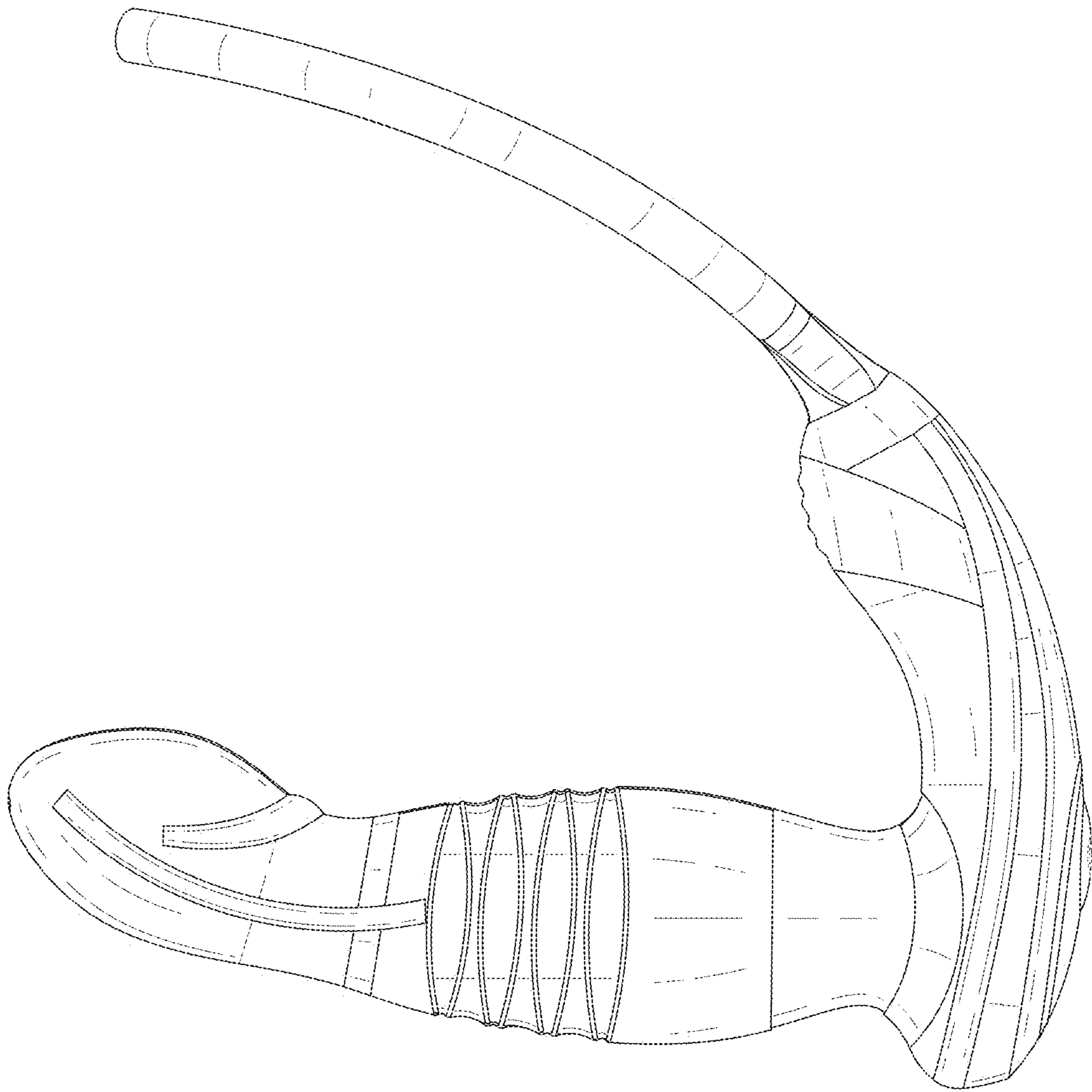


FIG. 6

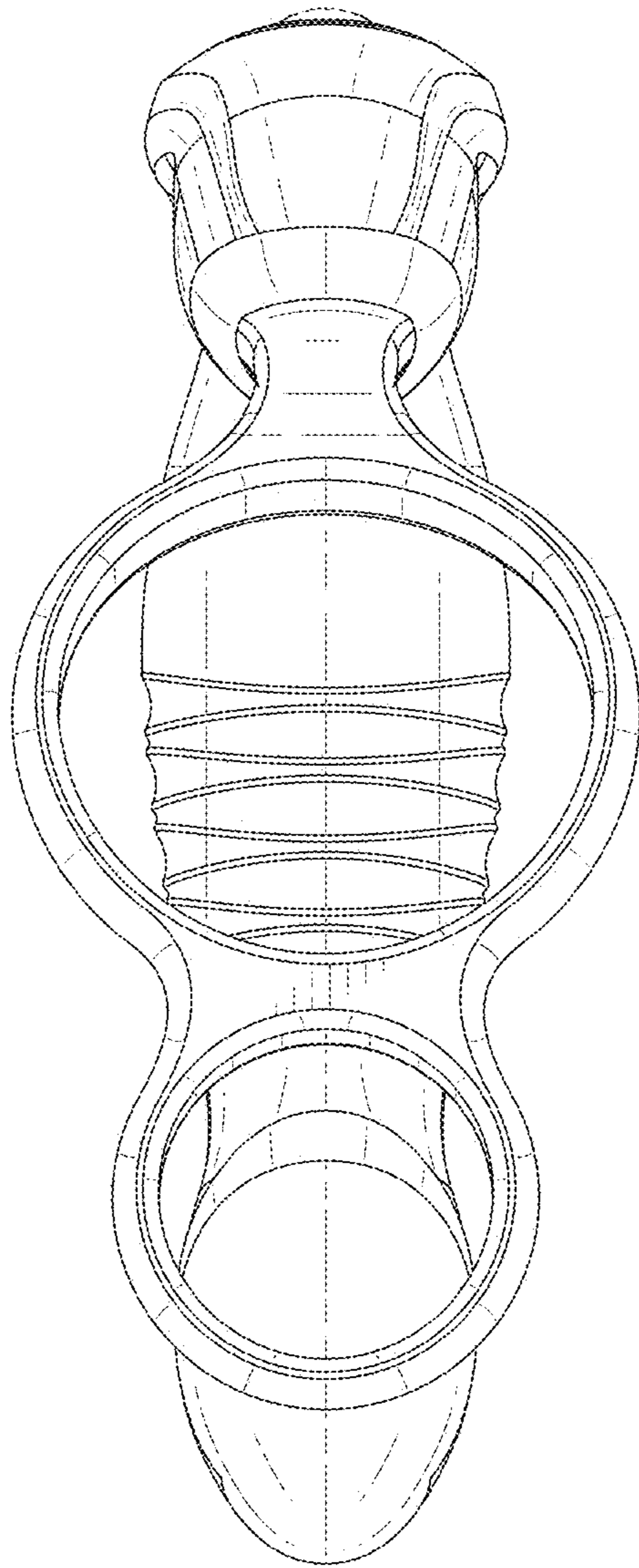


FIG. 7

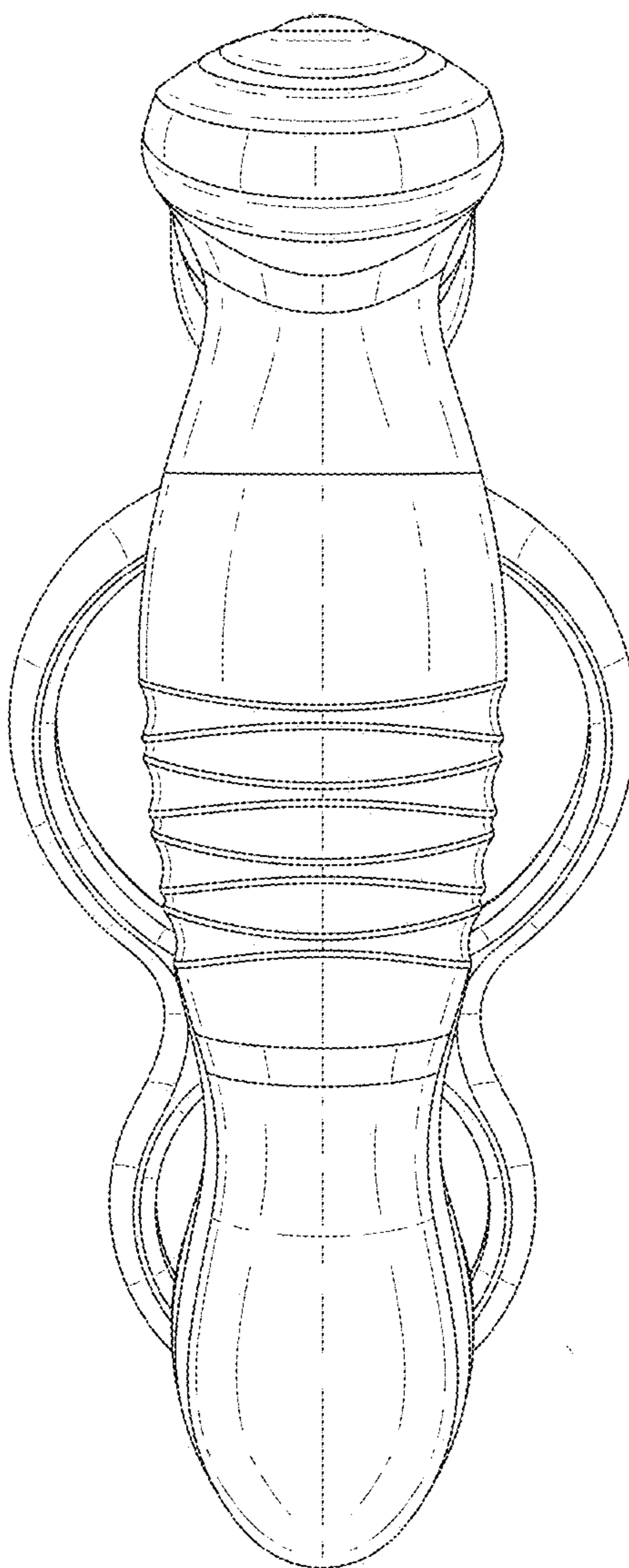


FIG. 8