



US00D984664S

(12) **United States Design Patent**
Xiong

(10) **Patent No.:** **US D984,664 S**

(45) **Date of Patent:** **** Apr. 25, 2023**

(54) **MASSAGER GUN SET**

(71) Applicant: **Jieqing Xiong**, Shenzhen (CN)

(72) Inventor: **Jieqing Xiong**, Shenzhen (CN)

(73) Assignee: **YOULISN (SHENZHEN) TECHNOLOGY CO., LTD**, Shenzhen (CN)

(**) Term: **15 Years**

(21) Appl. No.: **29/768,644**

(22) Filed: **Jan. 31, 2021**

(51) **LOC (14) Cl.** **24-01**

(52) **U.S. Cl.**
USPC **D24/215**

(58) **Field of Classification Search**
USPC D24/200, 211, 212, 213, 214, 215;
D8/14.1; D28/13
CPC A61H 23/006; A61H 2201/0153; A61H
2201/0157; A61H 15/0085; A61H 7/005;
A61H 23/00; A61H 7/003; A61H 7/007;
A61H 1/008

See application file for complete search history.

(56) **References Cited**

U.S. PATENT DOCUMENTS

D403,075 S *	12/1998	Lie	D24/215
D918,411 S *	5/2021	Xu	D24/215
D924,424 S *	7/2021	Wang	D24/215
D932,045 S *	9/2021	Shen	D24/215
D937,431 S *	11/2021	Li	D24/215
D945,005 S *	3/2022	Gao	D24/215
D949,411 S *	4/2022	Chen	D24/215
D949,412 S *	4/2022	Chen	D24/215
D953,556 S *	5/2022	Marton	D24/215
D953,559 S *	5/2022	He	D24/215
D961,797 S *	8/2022	Huang	D24/215
D963,879 S *	9/2022	Li	D24/215

(Continued)

OTHER PUBLICATIONS

Amazon, "Fit King Mini Massage Gun", Date First Available: Aug. 26, 2020. https://www.amazon.com/FIT-KING-Massage-Portable-Massager/dp/B08GPF9GL/ref=cm_cr_arp_d_product_top?ie=UTF8 (Year: 2020).*

Primary Examiner — Michael A Maharajh

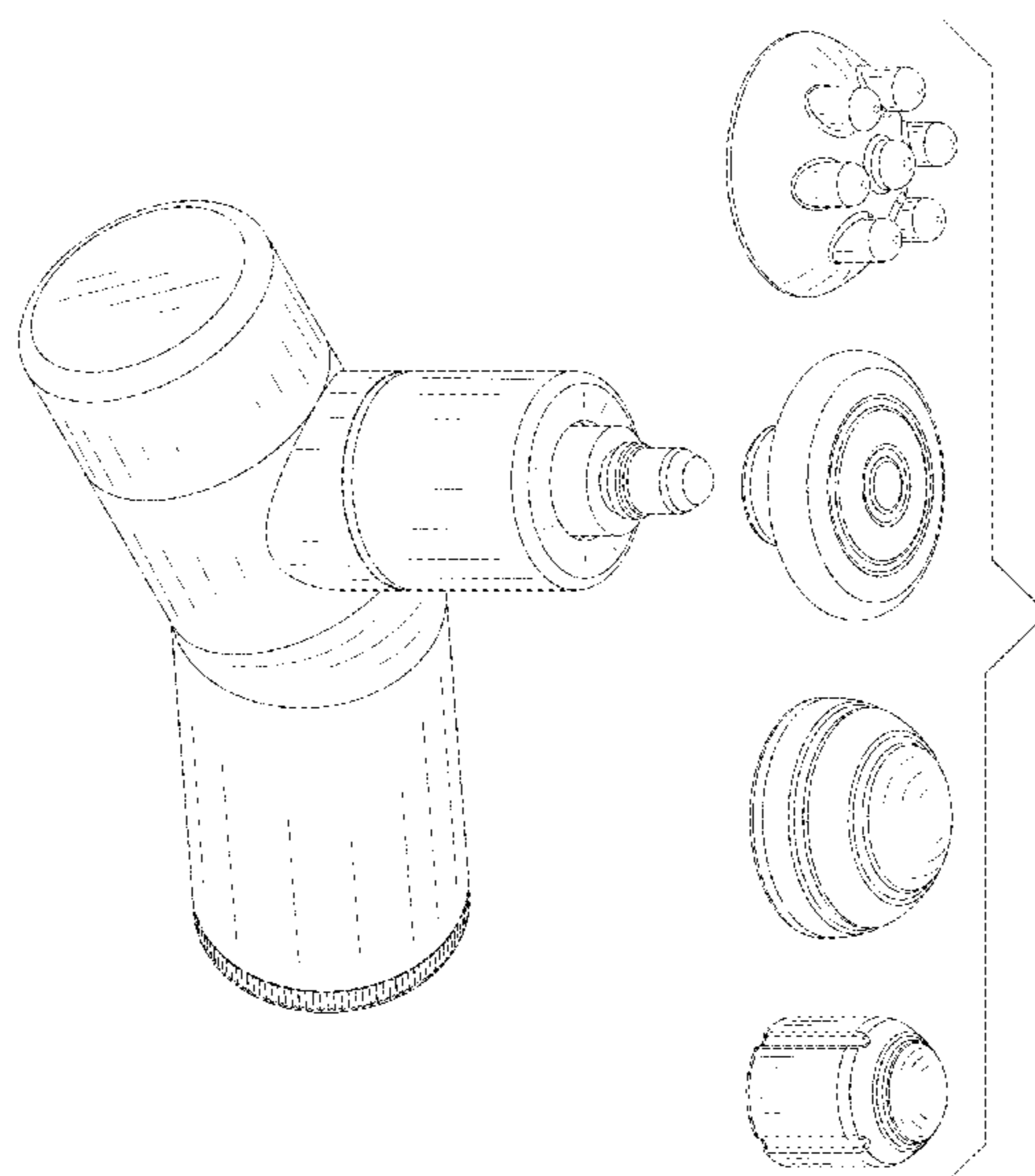
(57) **CLAIM**

The ornamental design for a massager gun set, as shown and described.

DESCRIPTION

FIG. 1 is a rear perspective view of a massager gun set showing my new design;
FIG. 2 is a front perspective view thereof;
FIG. 3 is a front elevation view thereof, showing the massager gun of the massager gun set;
FIG. 4 is a rear elevation view thereof;
FIG. 5 is a right side elevation view thereof;
FIG. 6 is a left side elevation view thereof;
FIG. 7 is a top plan view thereof;
FIG. 8 is a bottom plan view thereof;
FIG. 9 is a rear perspective view of the massager gun with the first of the massager gun head;
FIG. 10 is a front perspective view thereof;
FIG. 11 is a rear perspective view of the massager gun with the second massager gun head;
FIG. 12 is a front perspective view thereof;
FIG. 13 is a rear perspective view of the massager gun with the third massager gun head;
FIG. 14 is a front perspective view thereof;
FIG. 15 is a rear perspective view of the massager gun with the fourth massager gun head; and,
FIG. 16 is a front perspective view thereof.
The broken lines shown in the figures are for the purpose of illustration portions of the massage gun set, which form no part of the claimed design.

1 Claim, 16 Drawing Sheets



(56)

References Cited

U.S. PATENT DOCUMENTS

D964,585 S * 9/2022 Tang D24/215
D965,167 S * 9/2022 Yu D24/215

* cited by examiner

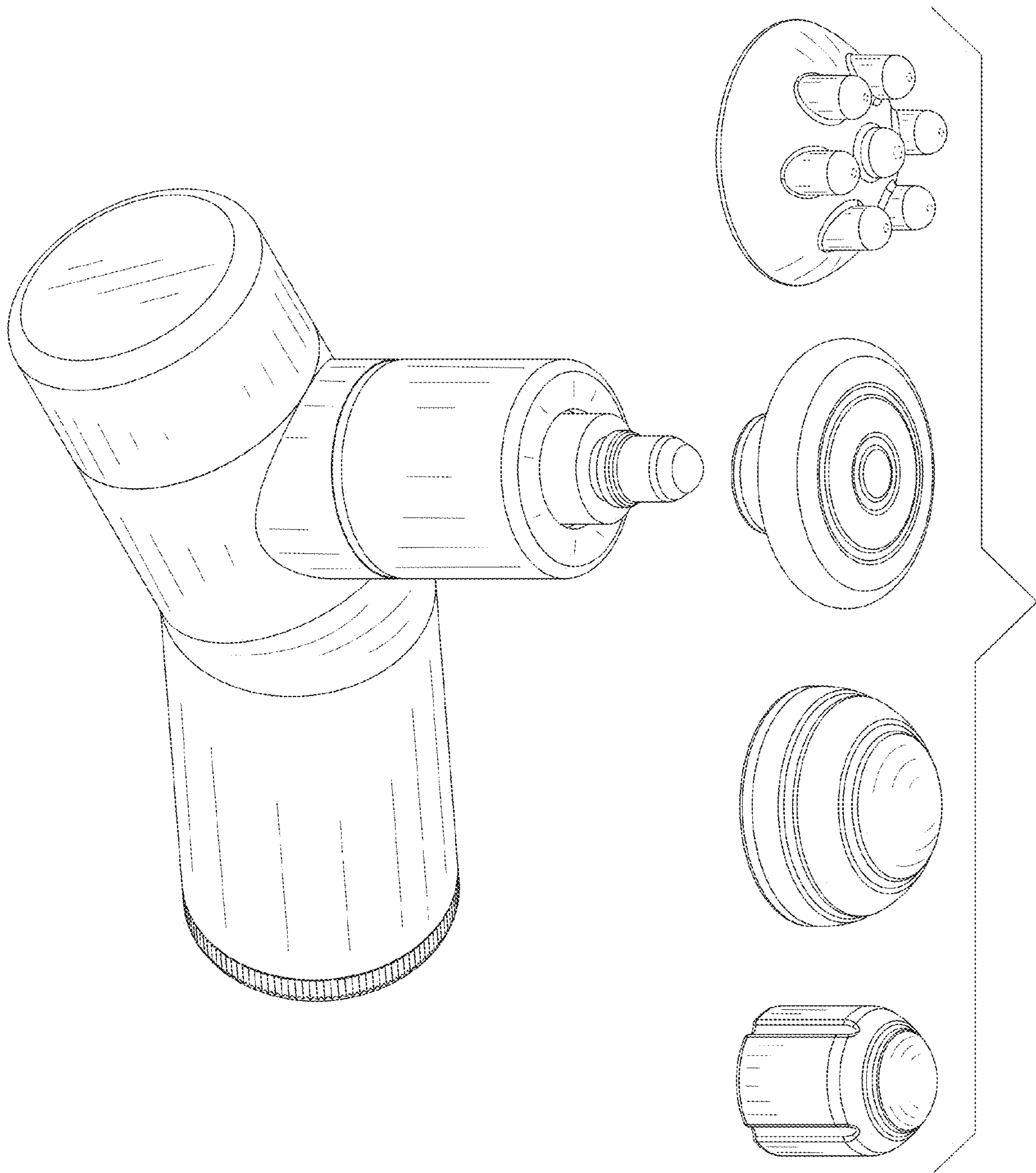


FIG. 1

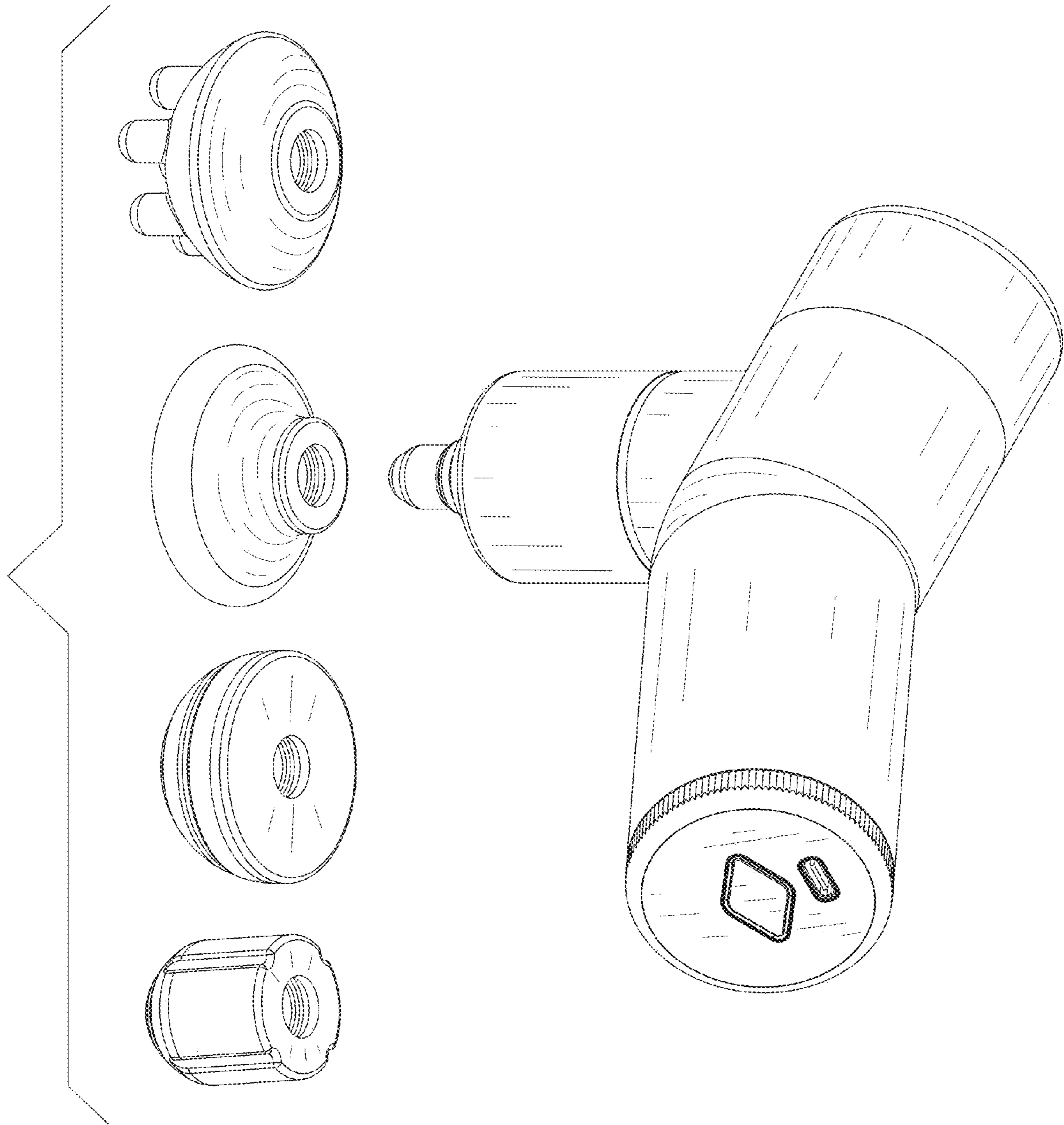


FIG. 2

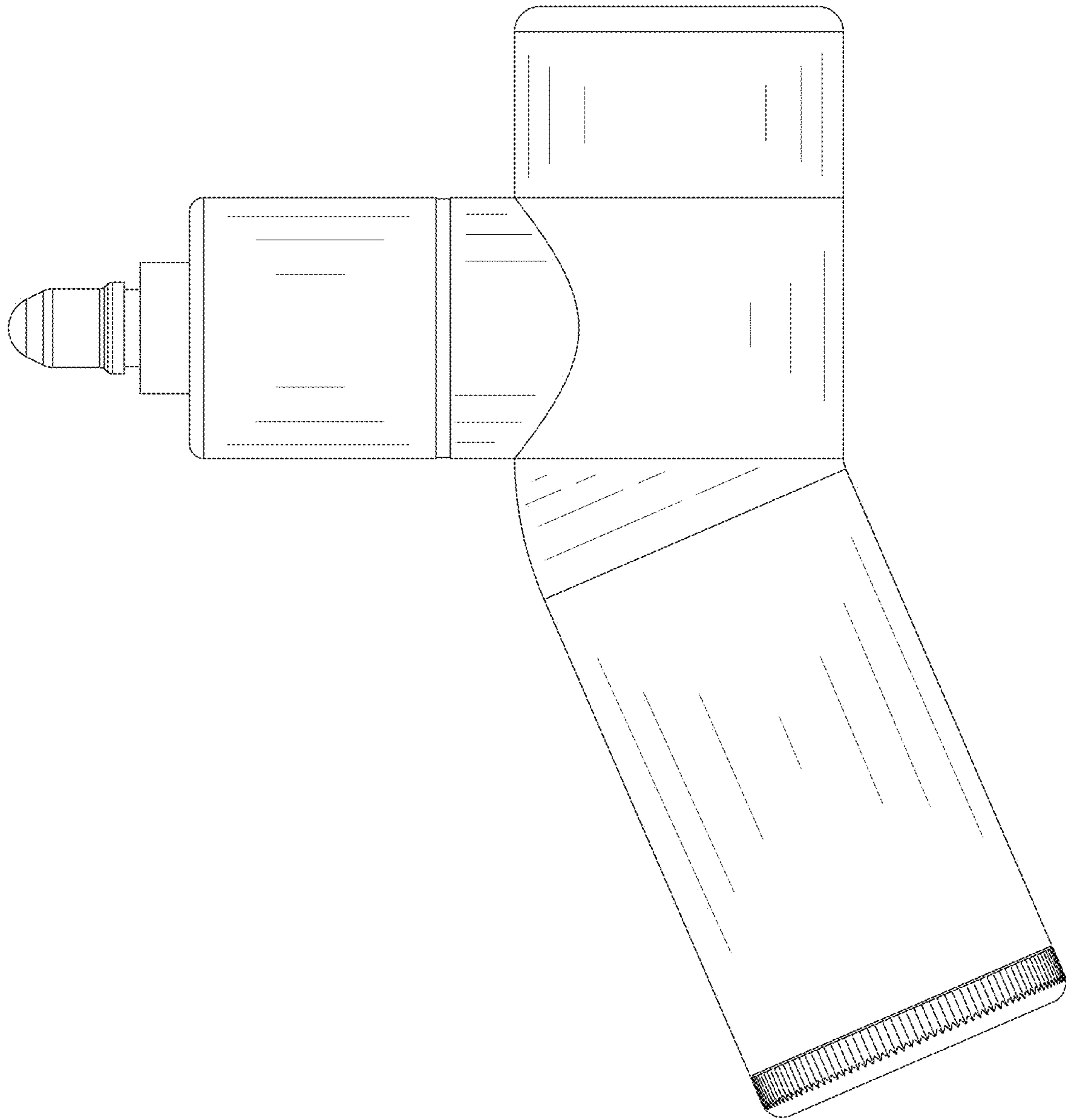


FIG. 3

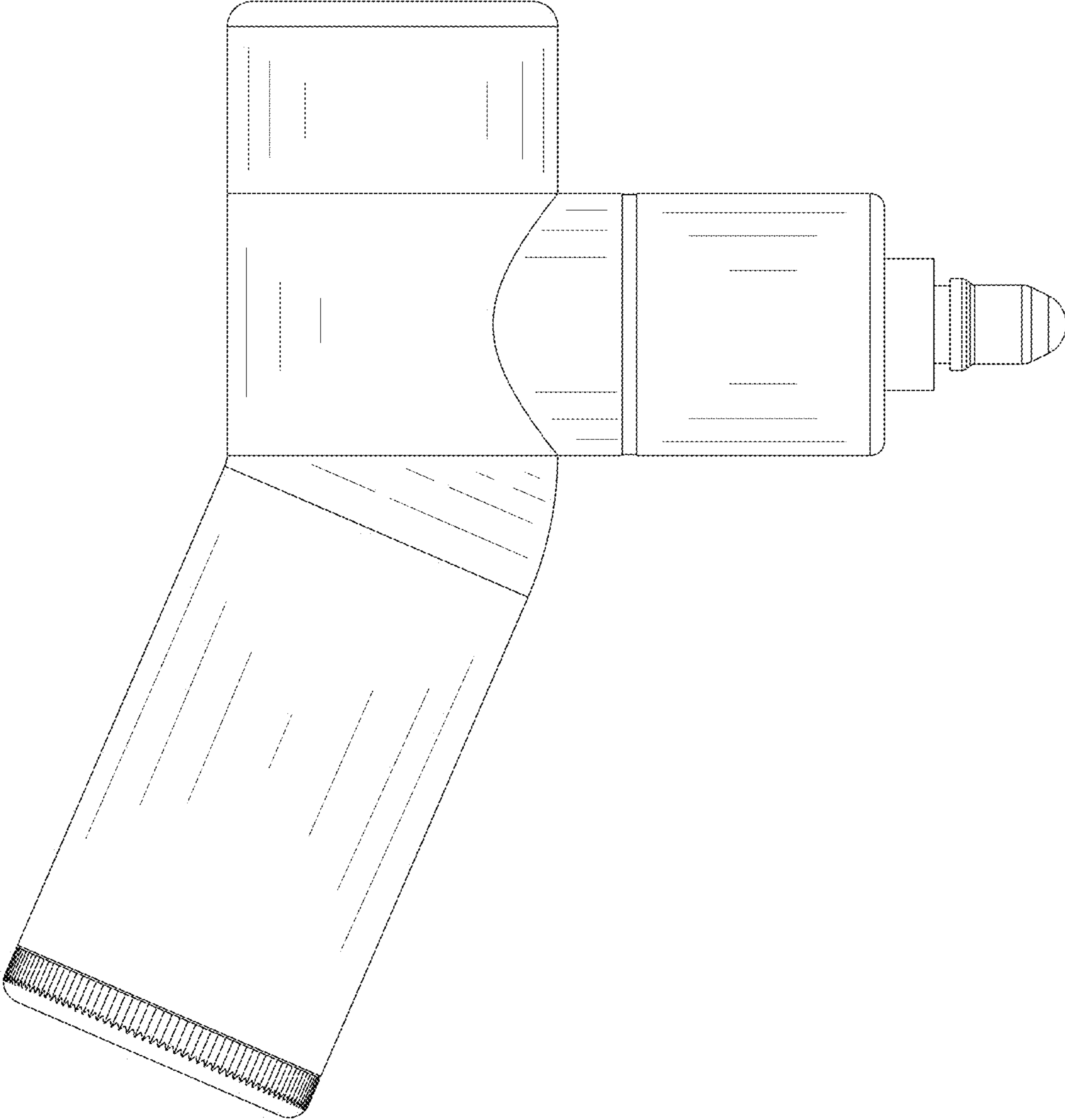


FIG. 4

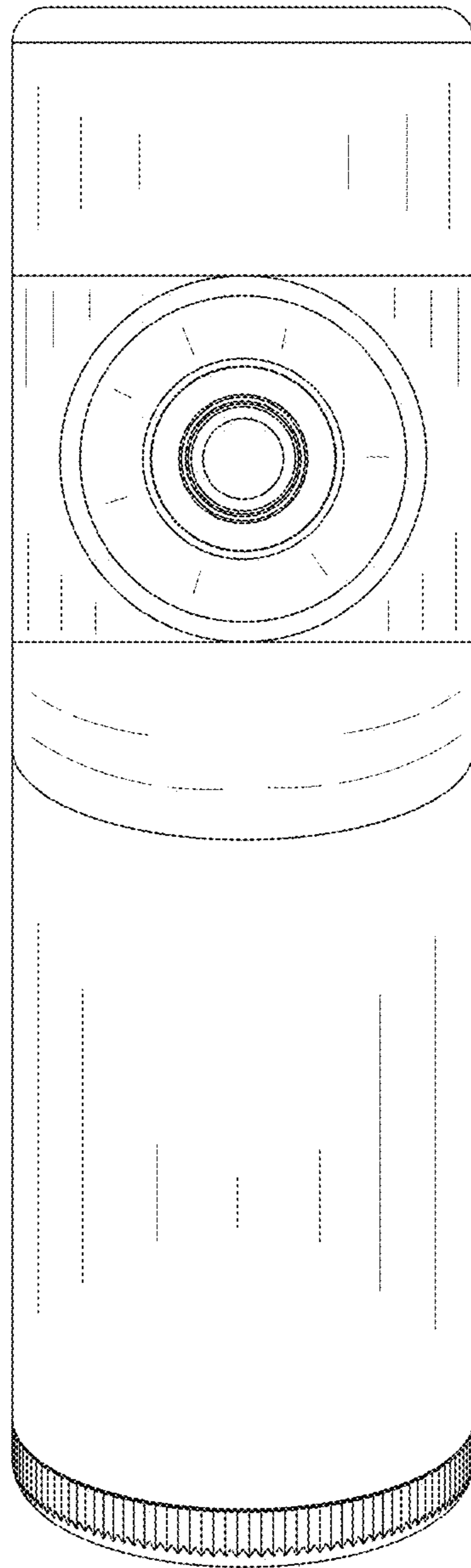


FIG. 5

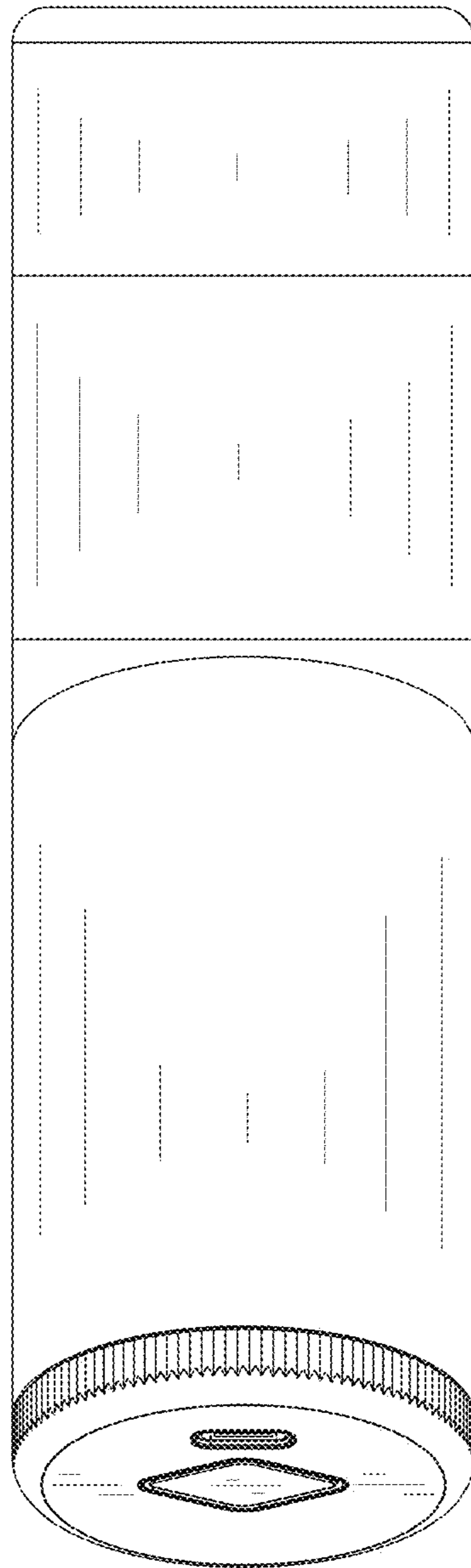


FIG. 6

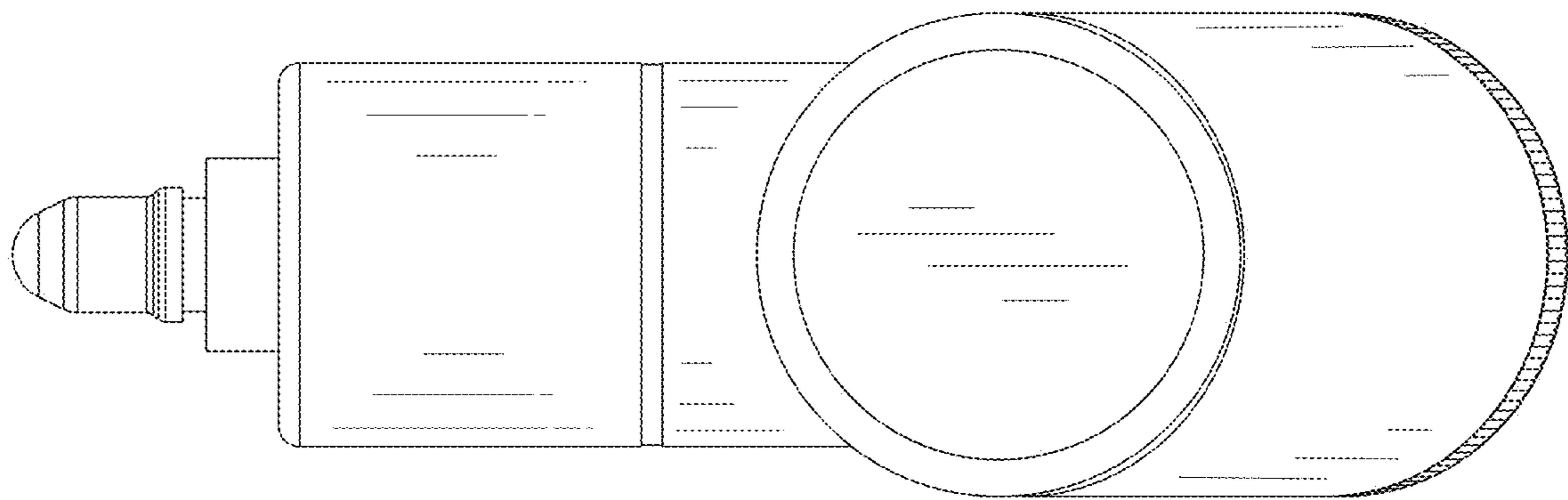


FIG. 7

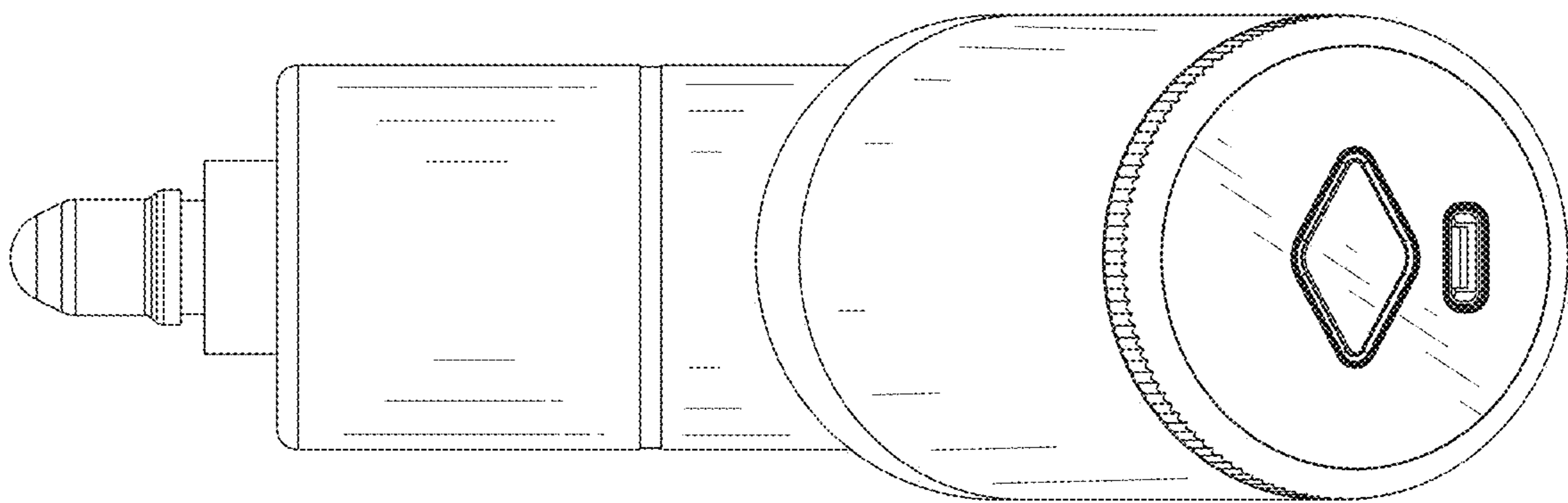


FIG. 8

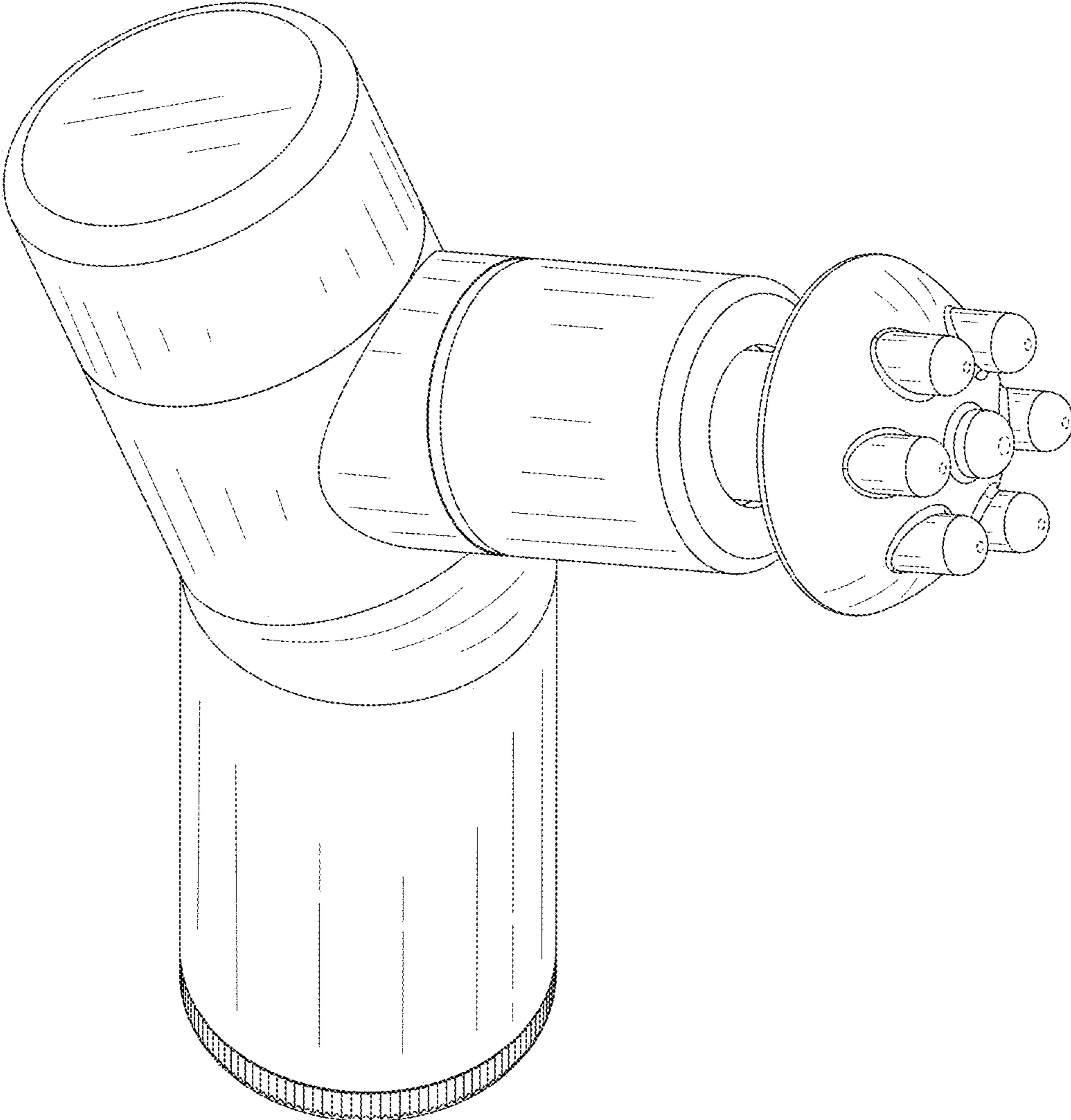


FIG. 9

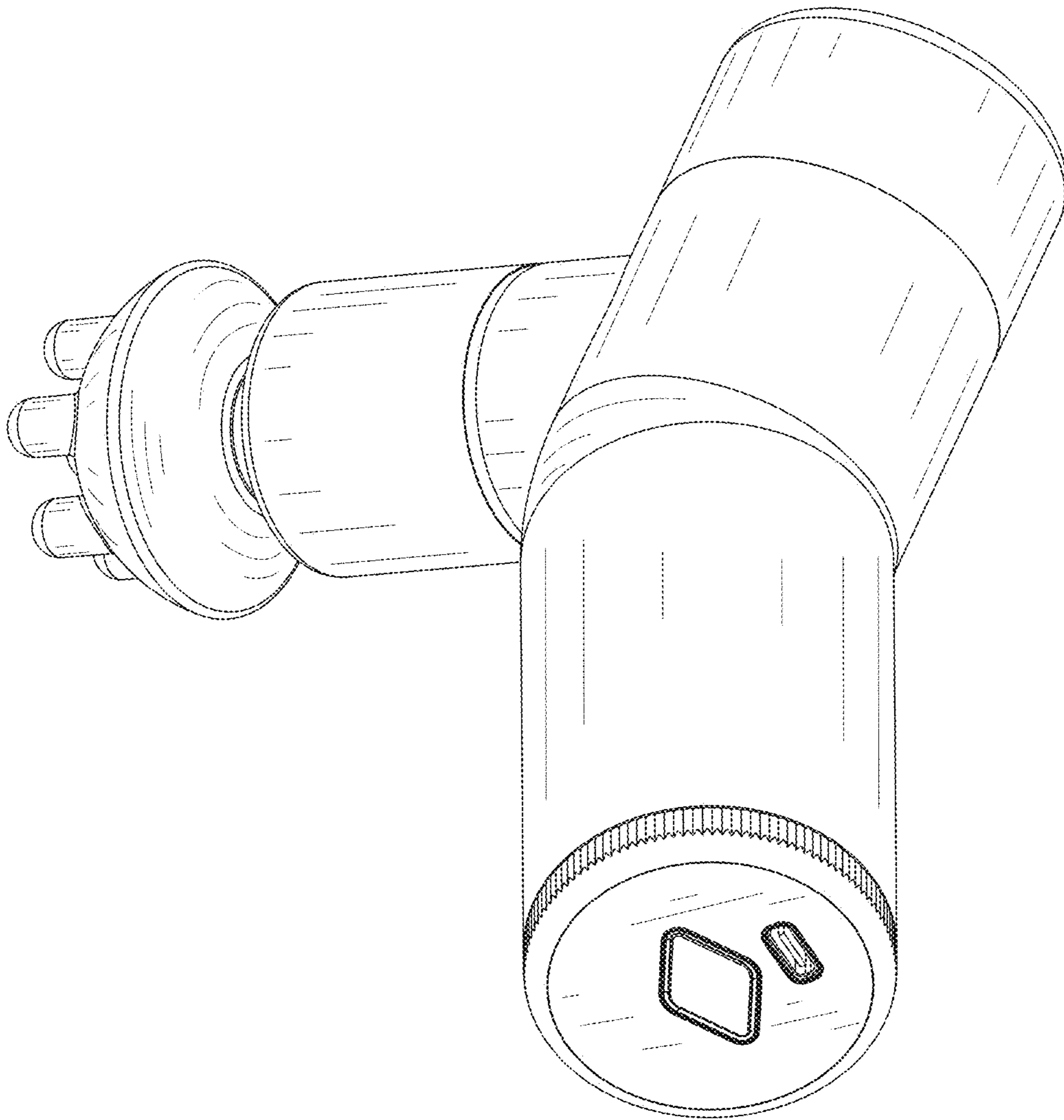


FIG. 10

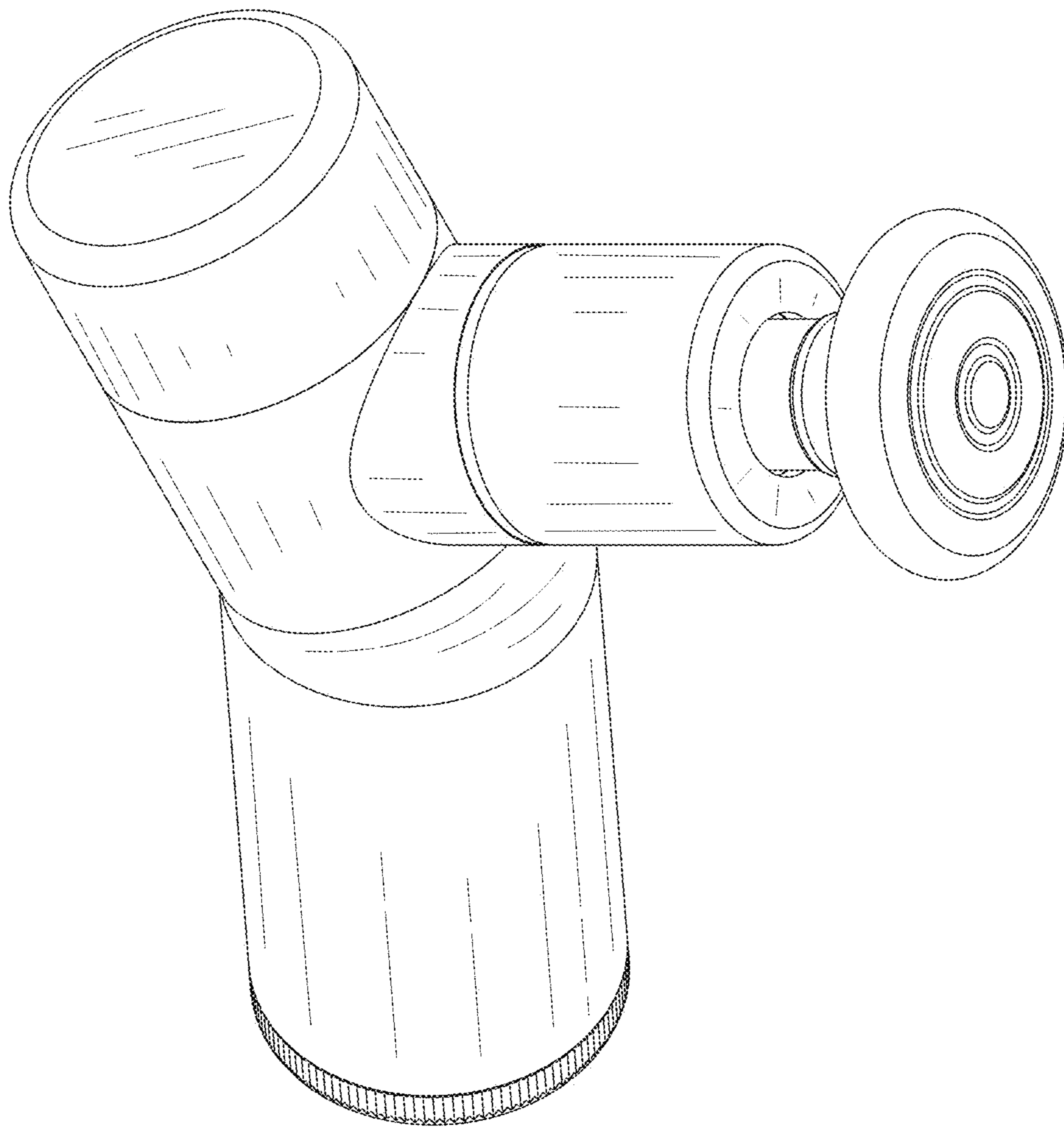


FIG. 11

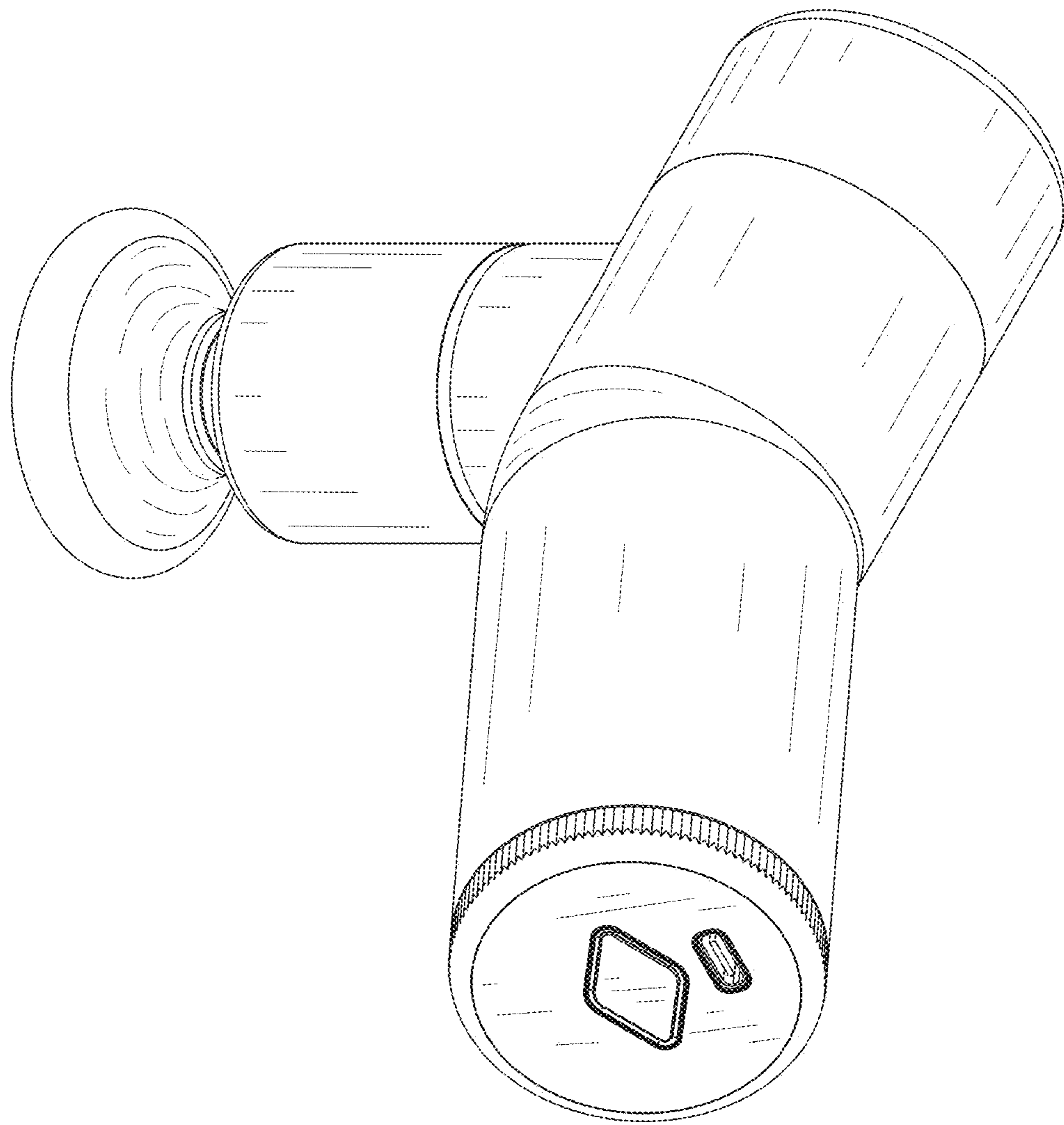


FIG. 12

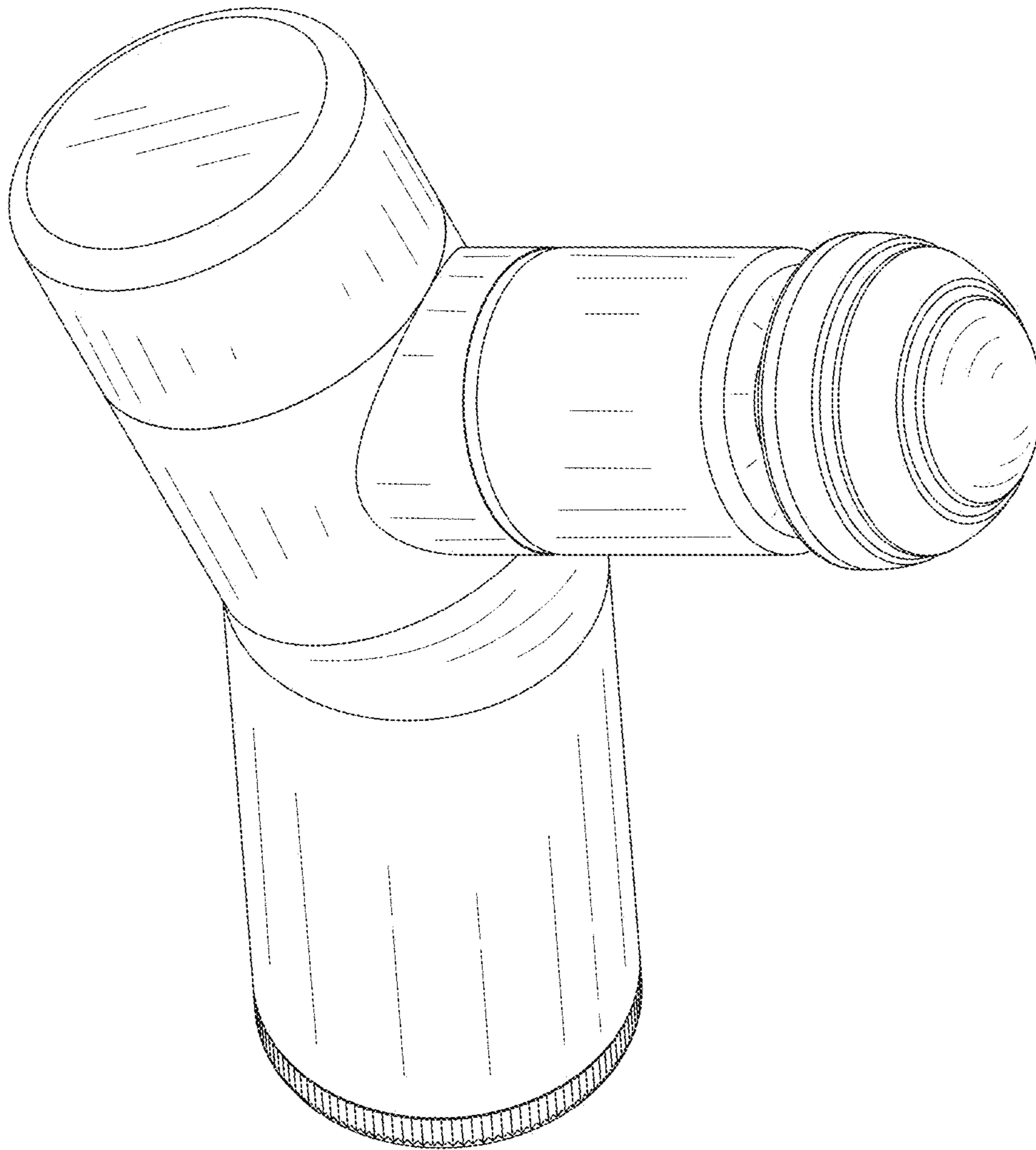


FIG. 13

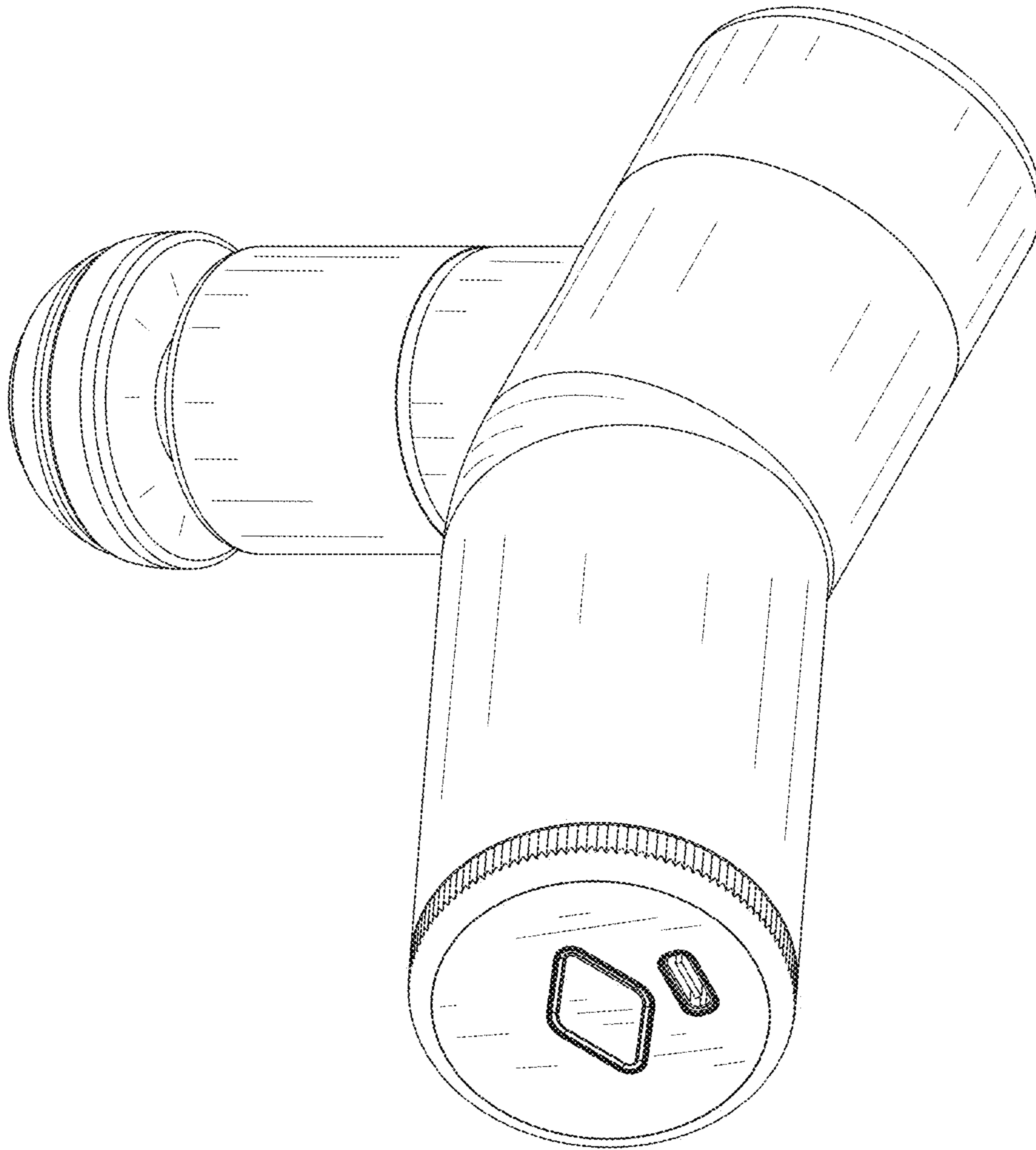


FIG. 14

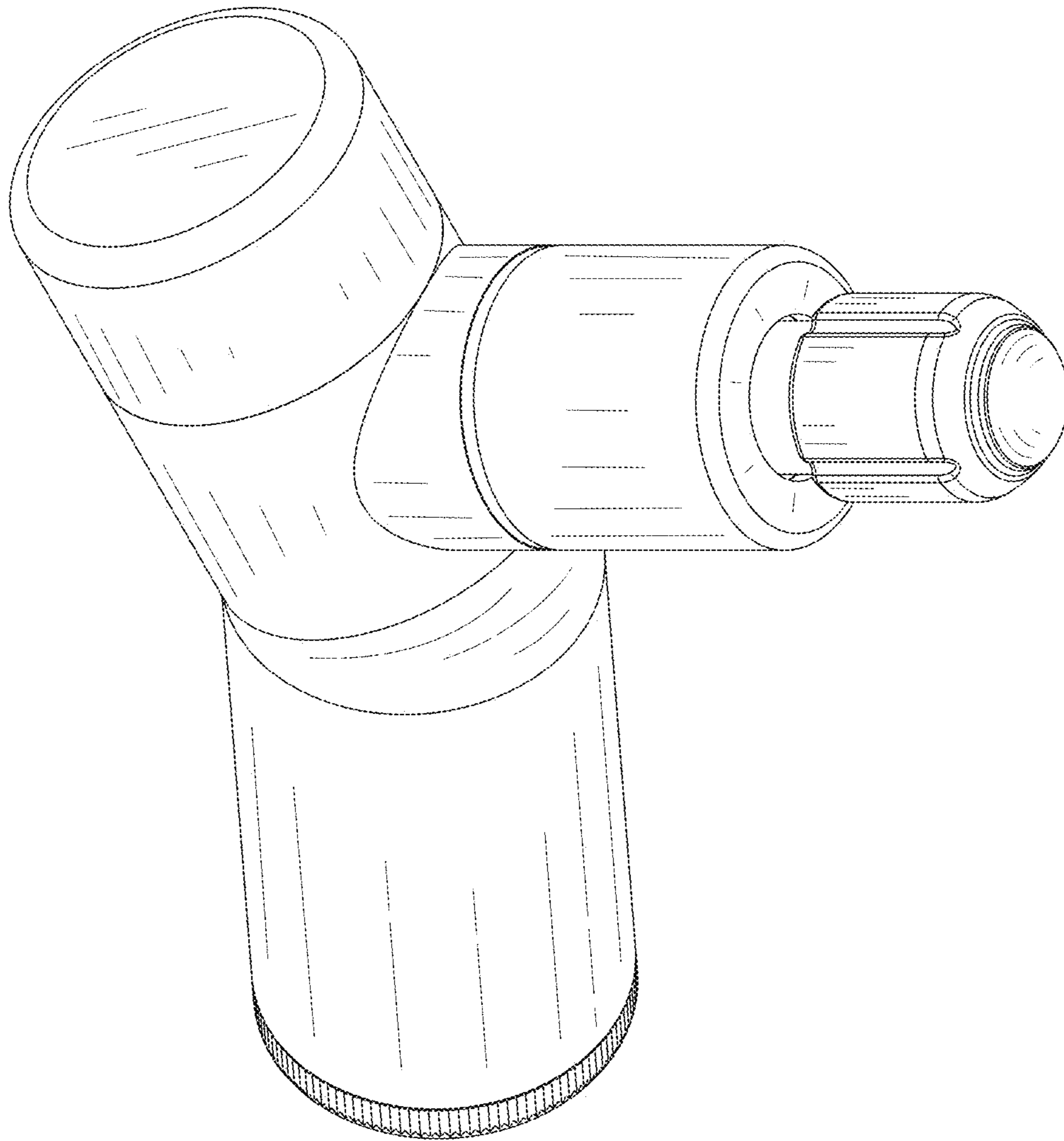


FIG. 15

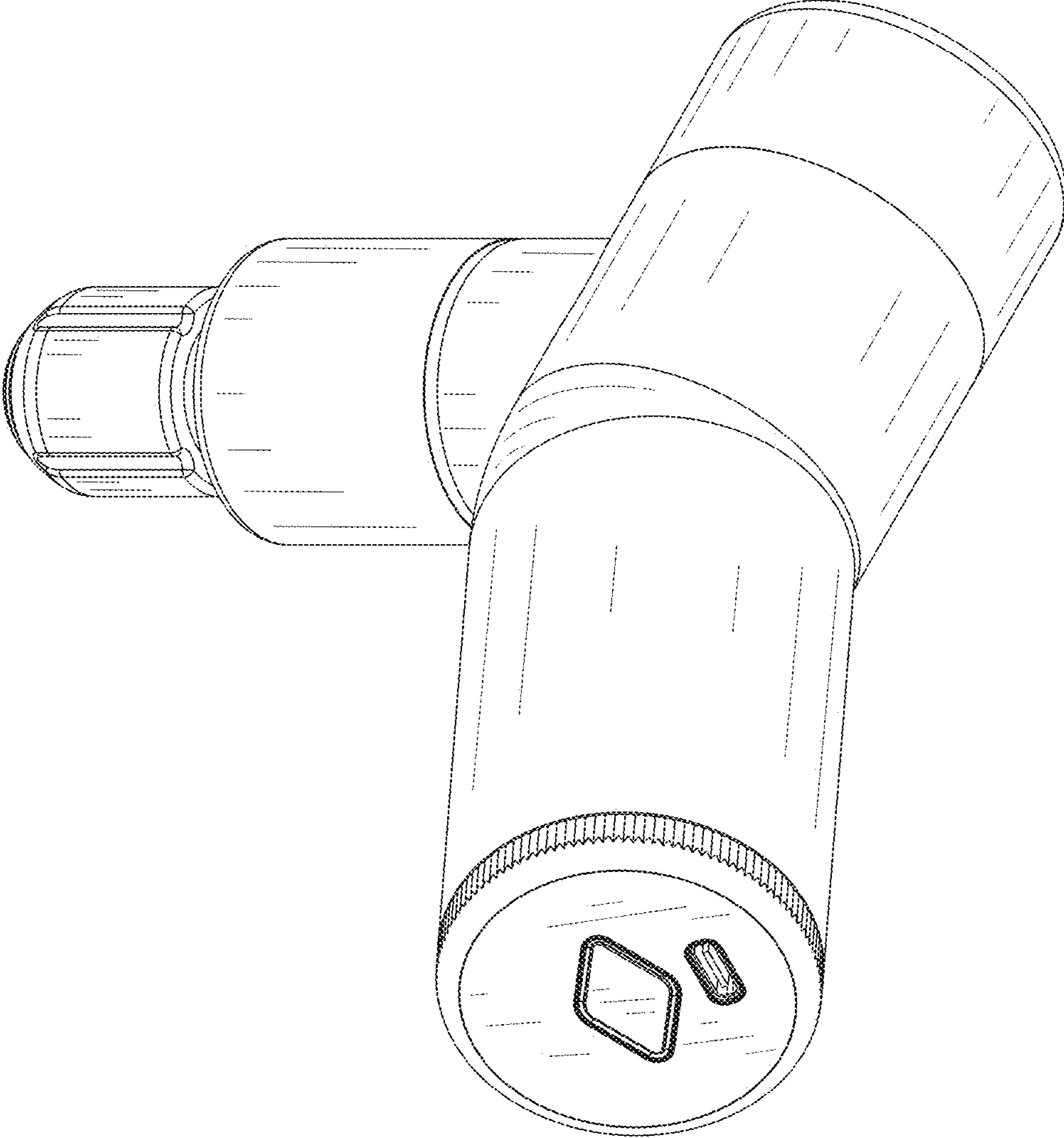


FIG. 16