



US00D984657S

(12) **United States Design Patent**
Zhuang

(10) **Patent No.:** **US D984,657 S**
(45) **Date of Patent:** **** Apr. 25, 2023**

(54) **WAX MELTING MACHINE**

(71) Applicant: **Mengyin Zhuang**, Shenzhen (CN)

(72) Inventor: **Mengyin Zhuang**, Shenzhen (CN)

(**) Term: **15 Years**

(21) Appl. No.: **29/808,804**

(22) Filed: **Sep. 23, 2021**

(51) **LOC (14) Cl.** **24-01**

(52) **U.S. Cl.**

USPC **D24/200**; D28/44.1; D28/58

(58) **Field of Classification Search**

USPC D24/200, 204, 121; D7/323, 391, 354,
D7/538, 629; D9/435, 503, 424, 428,
D9/780; D28/44.1, 58

CPC A61F 7/00; A61F 7/007; A61F 7/0085;
A61F 2007/0001; A61F 2007/0003; A61F
2007/0004; A61F 2007/0024; A61F
2007/0029; A61F 2007/0039; A61F
2007/0041; A61F 2007/0043; A16F
2007/0001; A16F 2007/0003; A16F
2007/0004; A16F 2007/0024; A16F
2007/0029; A16F 2007/0031; A16F
2007/0039; A16F 2007/0041; A16F
2007/0043; A47J 36/06; A61L 9/03;
A61L 9/12; F27B 14/12; H05B 3/00;
H05B 3/0052; A61H 33/04; A61H
2033/047

See application file for complete search history.

(56) **References Cited**

U.S. PATENT DOCUMENTS

2,463,329 A * 3/1949 Stansbury A61H 33/04
219/207
D947,397 S * 3/2022 Deng D28/44.1

FOREIGN PATENT DOCUMENTS

CN 202230456911.0 * 7/2022

OTHER PUBLICATIONS

Sutomlo Wax Melter for Candle Making, first available Nov. 9, 2021, u-buy.co.nz, [online], [site visited Dec. 6, 2022], Available from internet URL: <https://www.u-buy.co.nz/product/48YZOH5H0-sutomlo-wax-melter-for-candle-making-holds-4-5-qts-of-melted-wax-large-electric-wax-melting-pot-machine-with-quick-easy-pour-valve-for-home-and> (Year: 2021).*

(Continued)

Primary Examiner — Samantha Q Lawrence

Assistant Examiner — Holly M Rodriguez

(57)

CLAIM

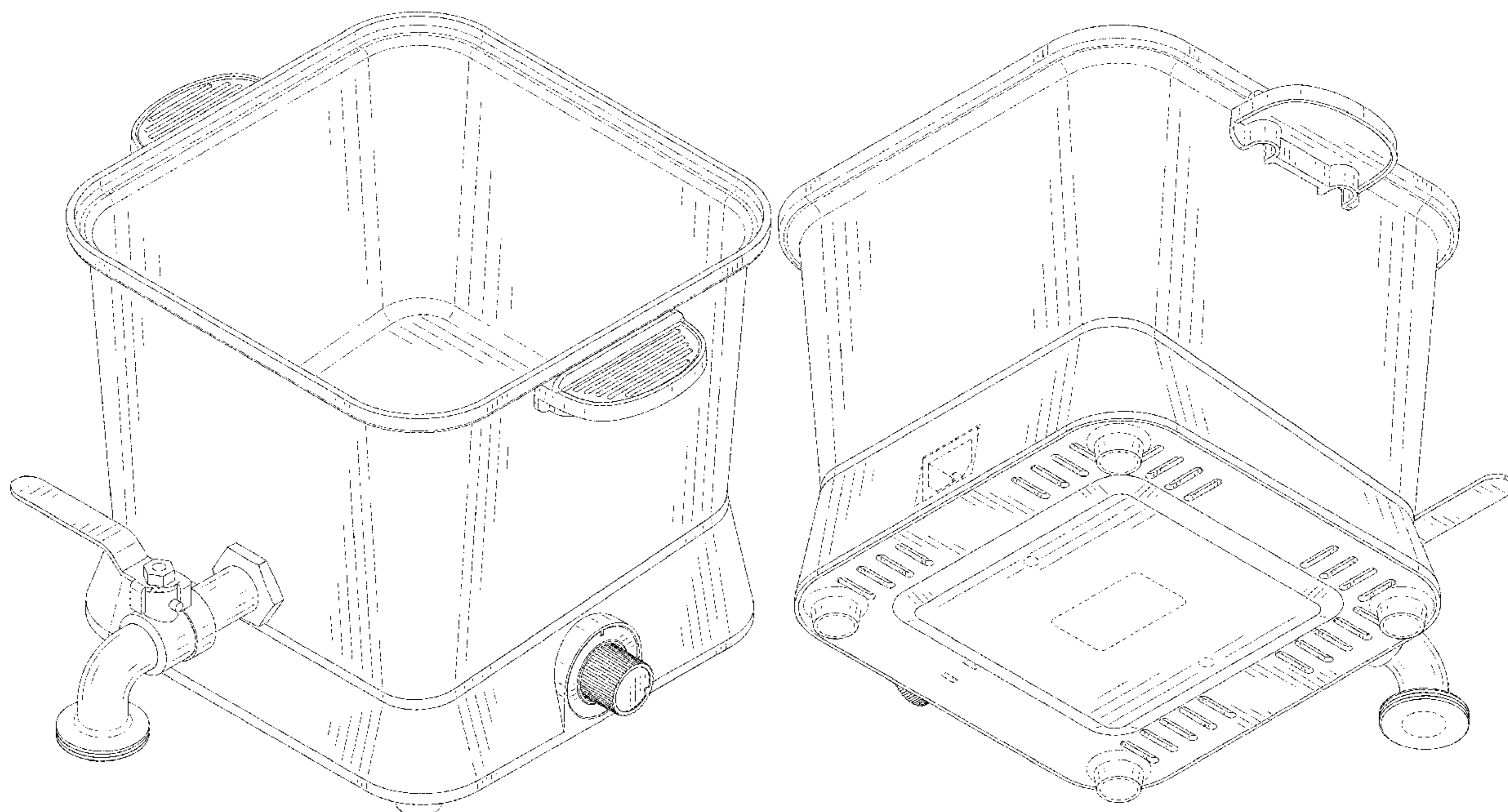
The ornamental design for a wax melting machine, as shown and described.

DESCRIPTION

FIG. 1 is a perspective view of a wax melting machine showing my new design;
FIG. 2 is another perspective view thereof;
FIG. 3 is a front elevational view thereof;
FIG. 4 is a rear elevational view thereof;
FIG. 5 is a left side elevational view thereof;
FIG. 6 is a right side elevational view thereof;
FIG. 7 is a top plan view thereof; and,
FIG. 8 is a bottom plan view thereof.

The broken lines in the drawings depict portions of the wax melting machine that form no part of the claimed design.

1 Claim, 8 Drawing Sheets



(56)

References Cited

OTHER PUBLICATIONS

Byoowndiy Wax Melter, first available Apr. 14, 2022, amazon.com, [online], [site visited Nov. 28, 2022], Available from internet URL: <https://www.amazon.com/Byoowndiy-Electric-Temperature-Controller-WMF-01/dp/B09XXM389Q> (Year: 2022).*

Sutomlo Large 4.5 Qts Electric Wax Melter, first available Mar. 7, 2022, amazon.com, [online], [site visited Nov. 28, 2022], Available from internet URL: <https://www.amazon.com/Sutomlo-Electric-Melting-Temperature-Business/dp/B09TZL78ZQ> (Year: 2022).*

Electric Wax Melter, first available Dec. 21, 2021, amazon.co.uk, [online], [site visited Feb. 6, 2022], Available from internet URL: <https://www.amazon.co.uk/Electric-Melter-Supplies-Melting-Quick-Pour/dp/B09NXL332Z/> (Year: 2021).*

* cited by examiner

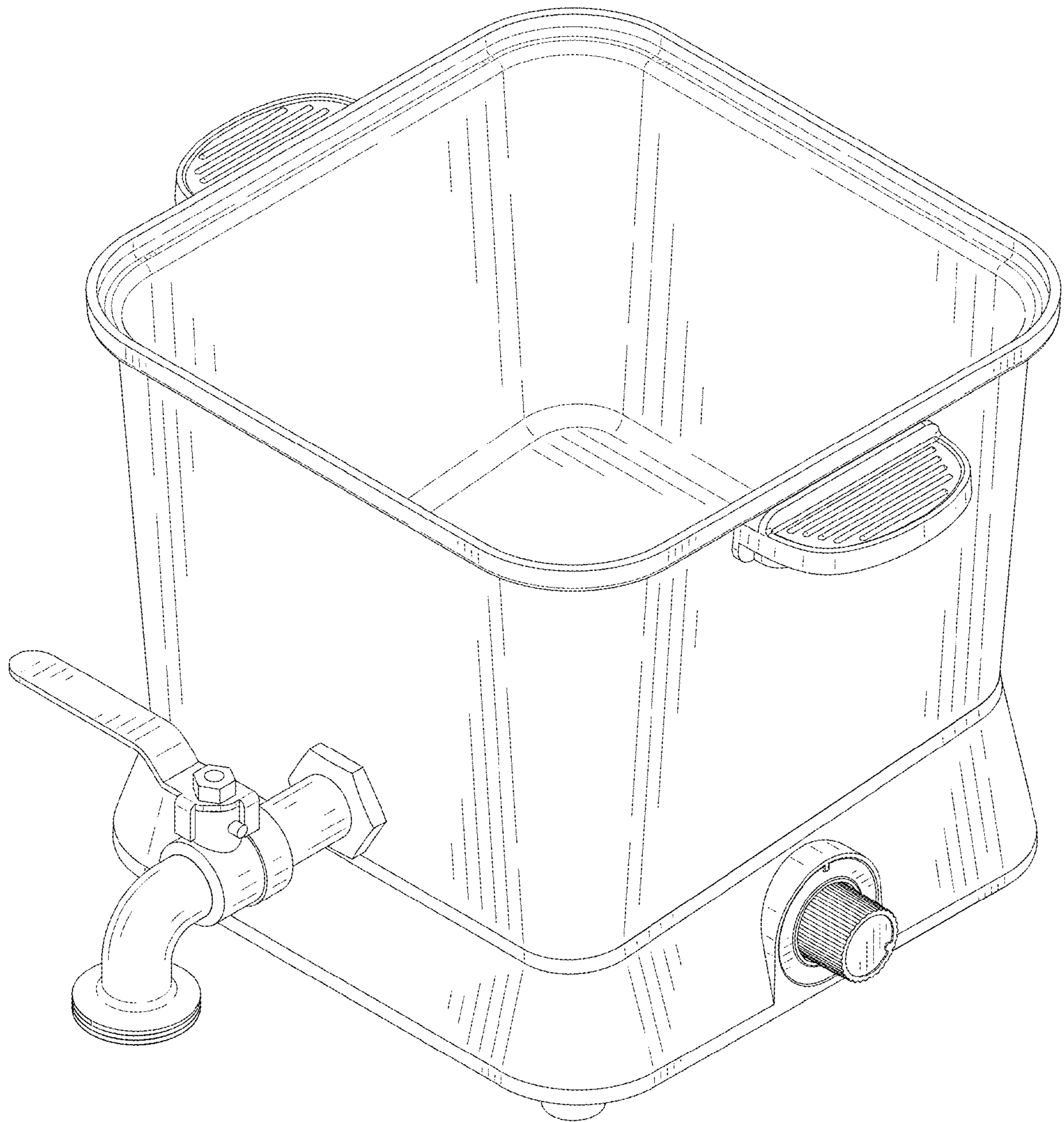


FIG. 1

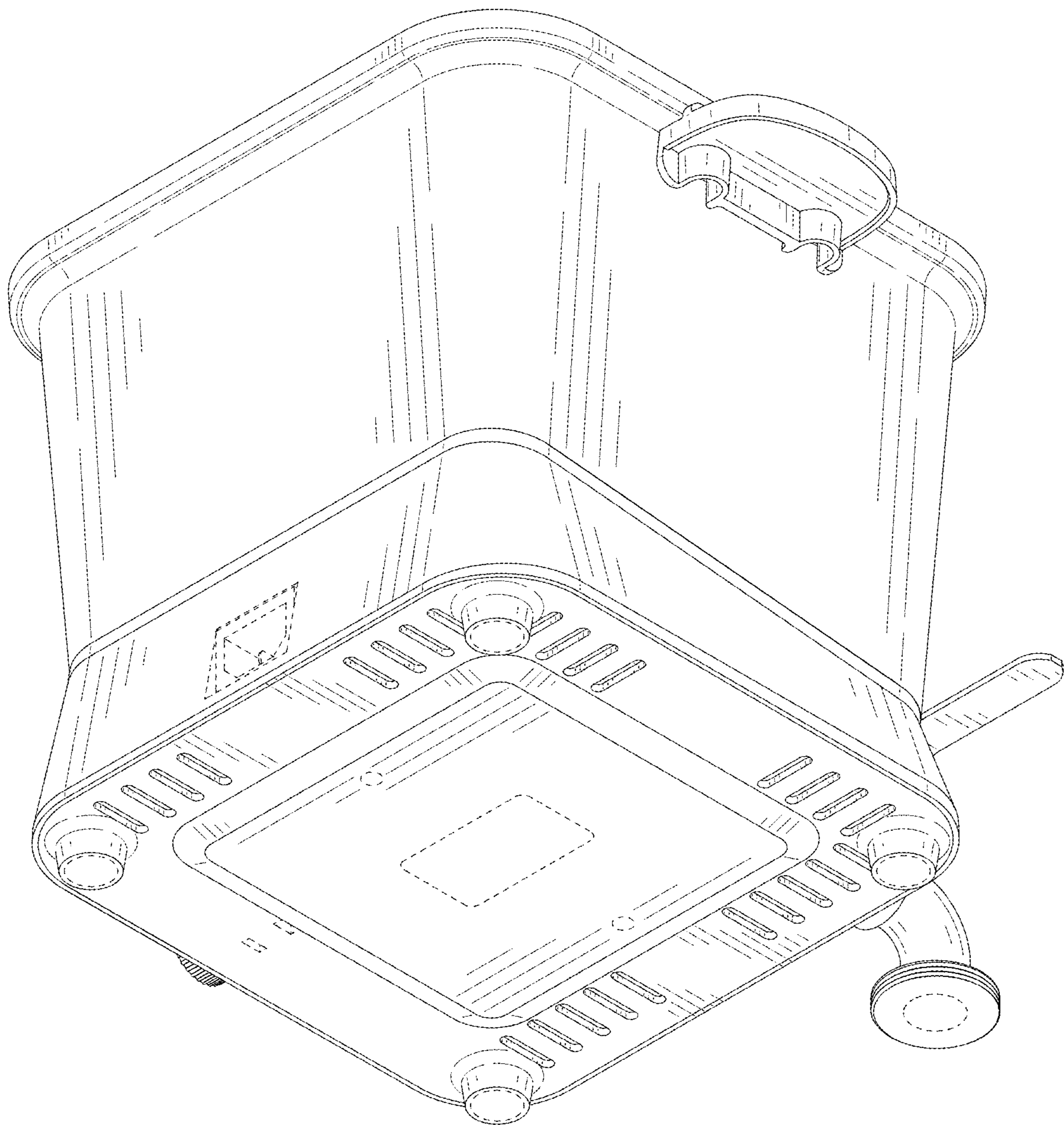


FIG. 2

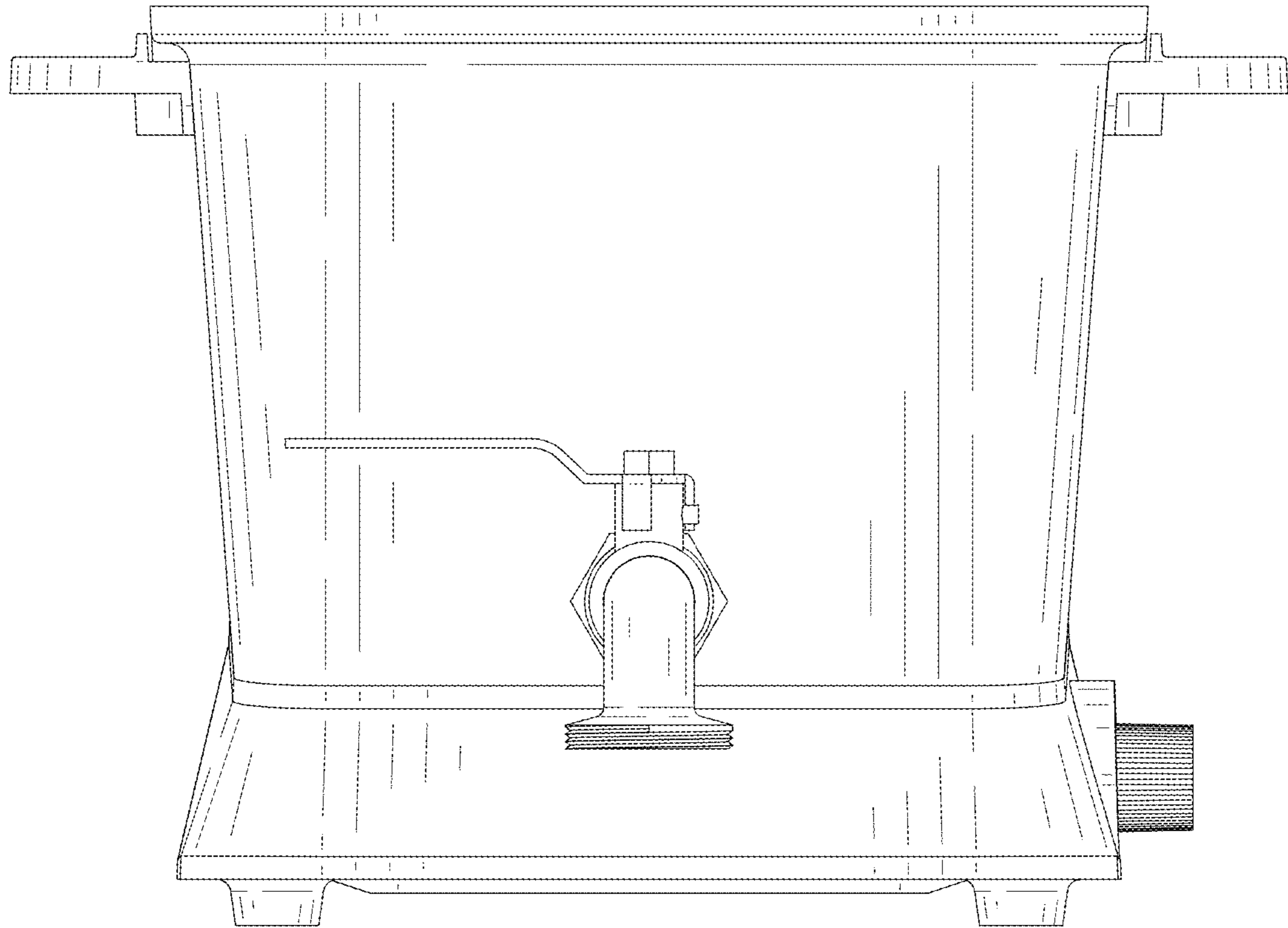


FIG. 3

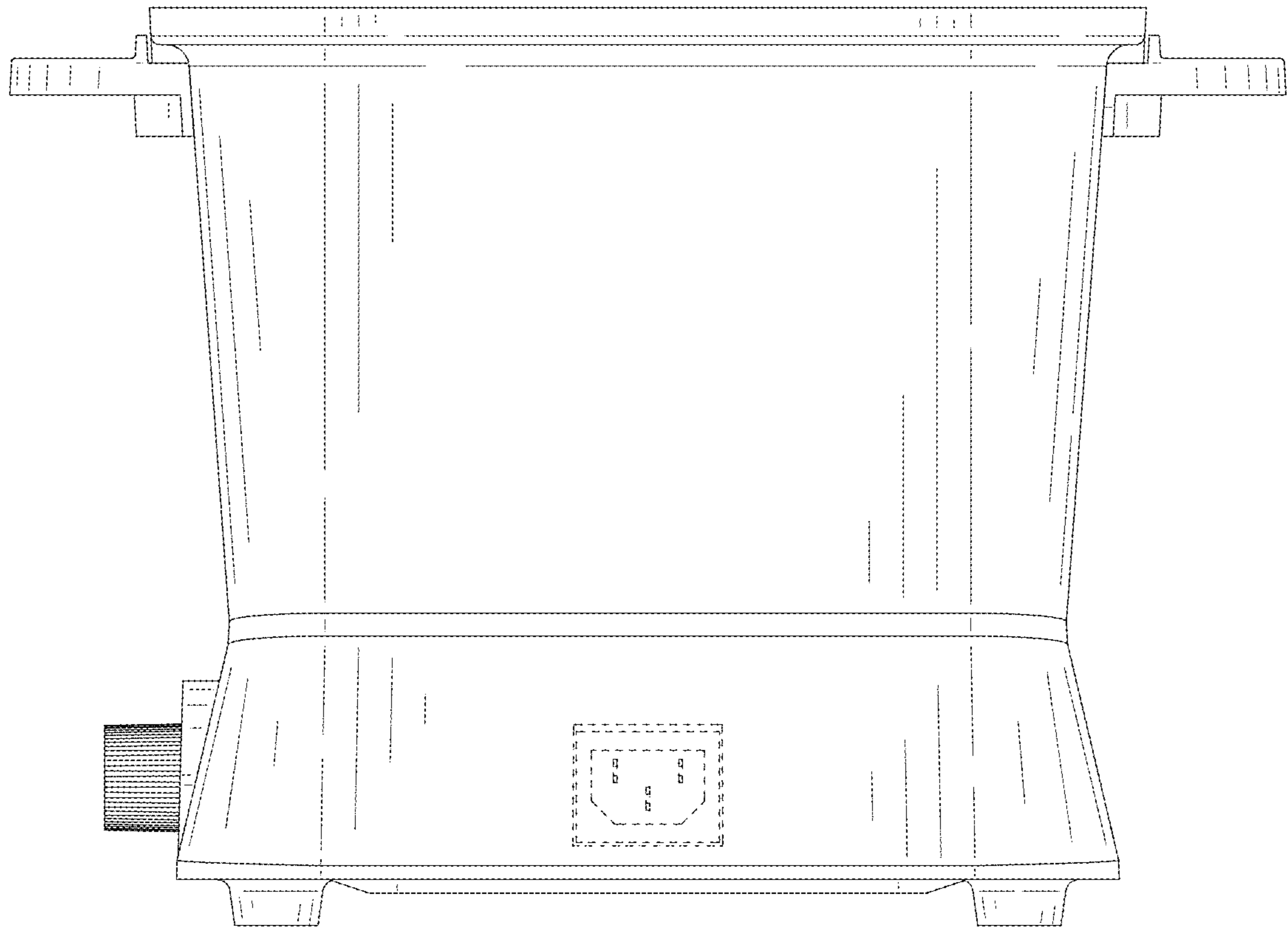


FIG. 4

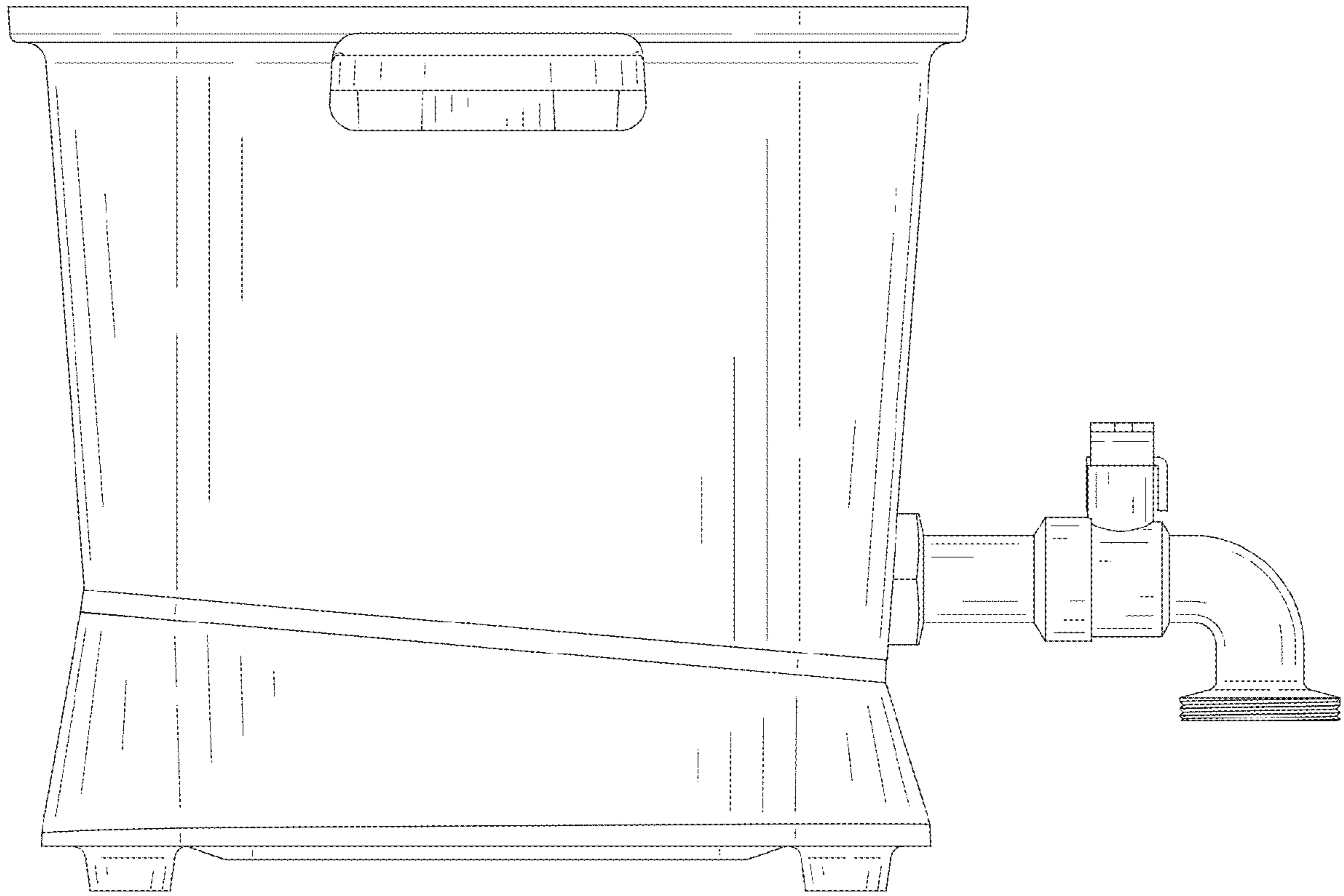


FIG. 5

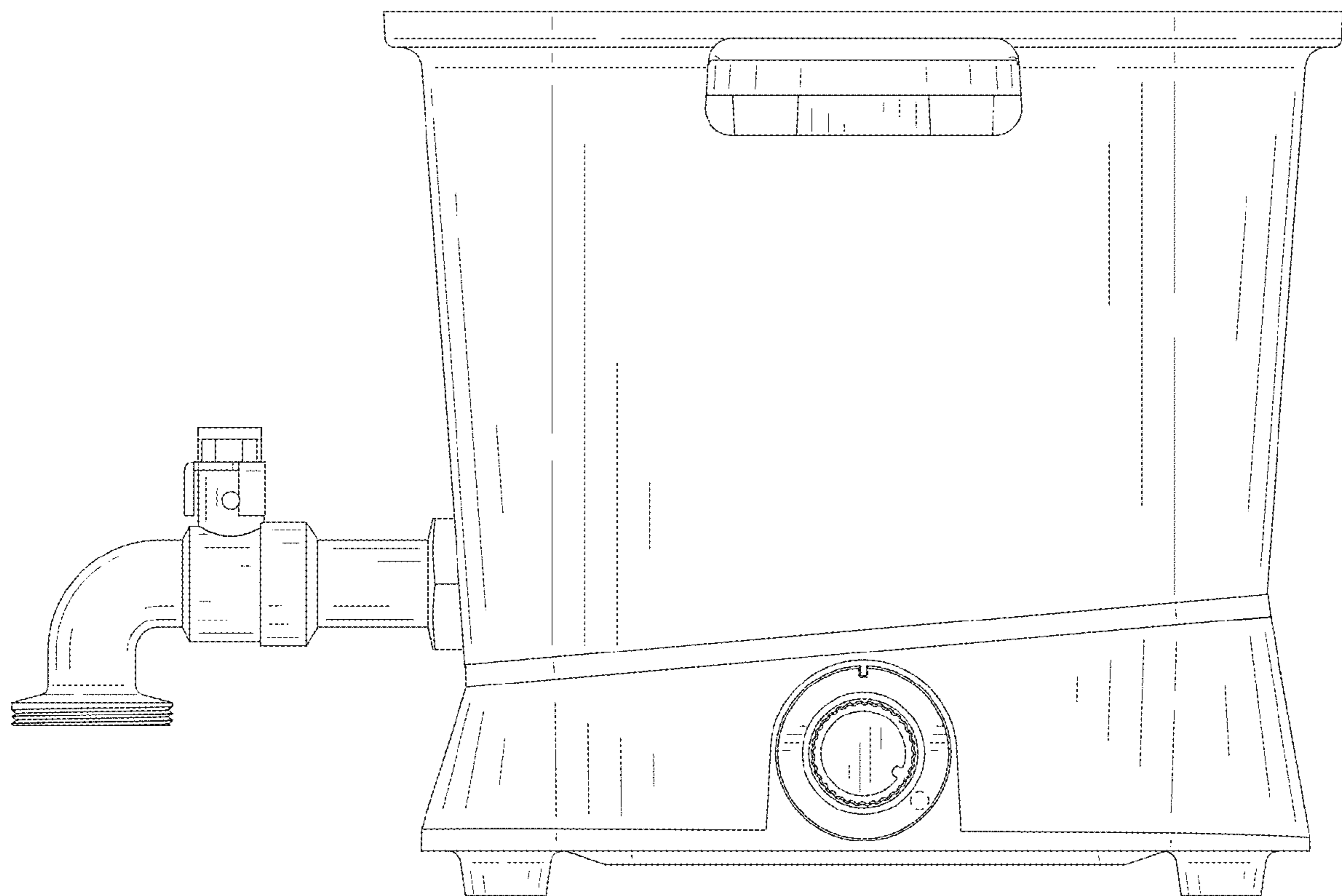


FIG. 6

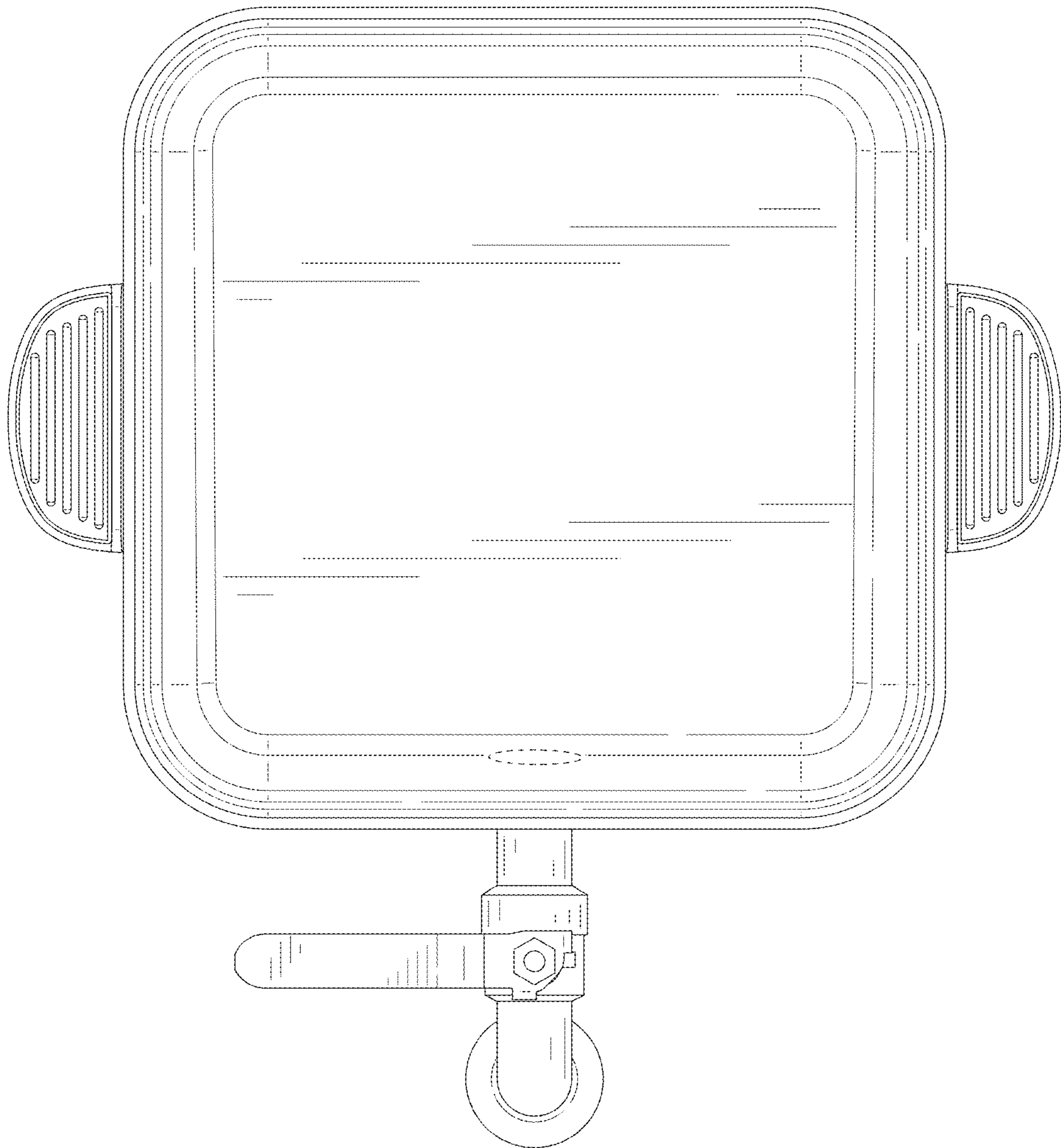


FIG. 7

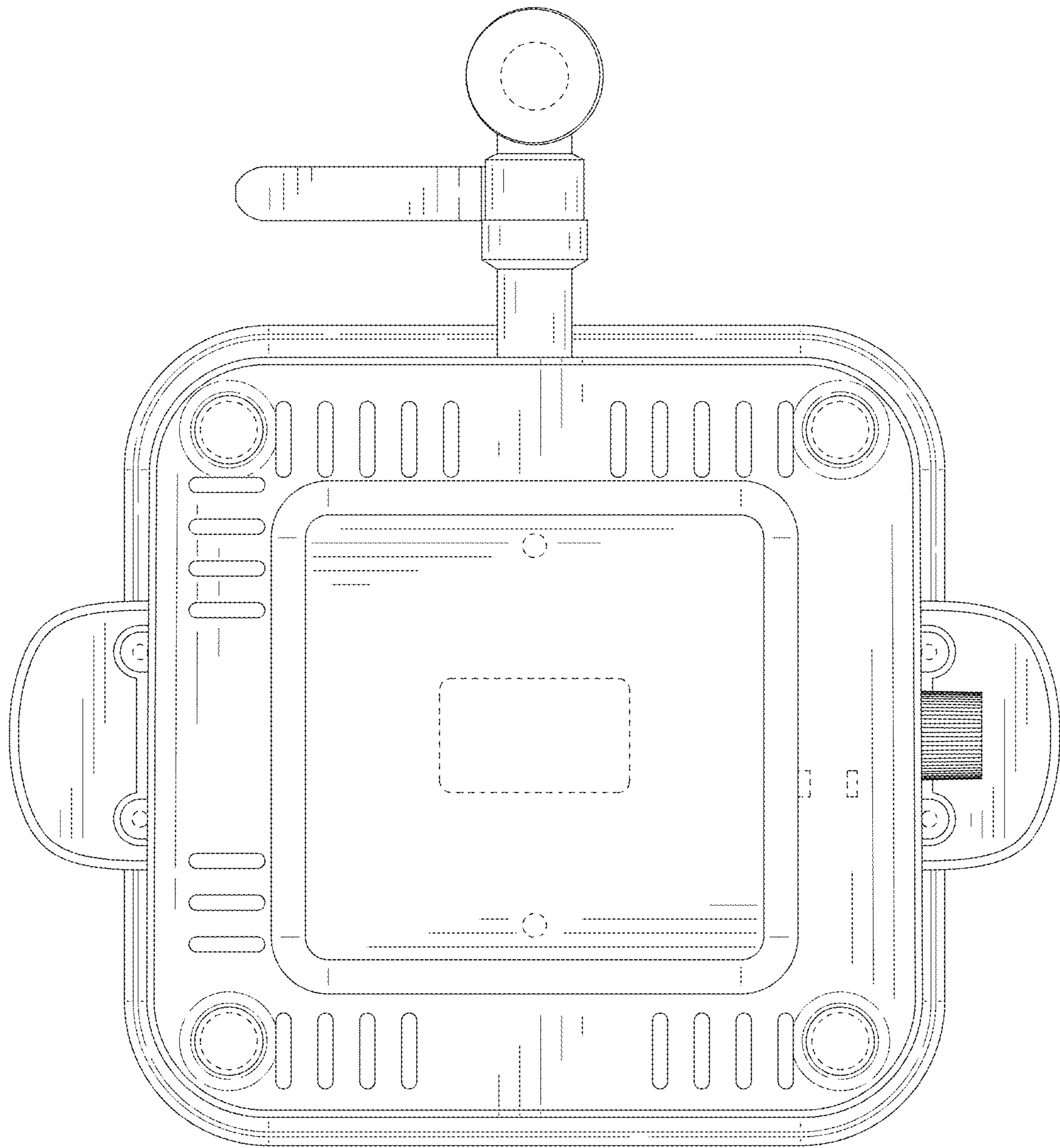


FIG. 8