



US00D984656S

(12) **United States Design Patent** (10) **Patent No.:** **US D984,656 S**
Yang (45) **Date of Patent:** **** Apr. 25, 2023**

(54) **MASSAGER ACCESSORY**

(71) Applicant: **Youhui Yang**, Changde (CN)

(72) Inventor: **Youhui Yang**, Changde (CN)

(**) Term: **15 Years**

(21) Appl. No.: **29/791,020**

(22) Filed: **Dec. 27, 2021**

(51) **LOC (14) Cl.** **24-01**

(52) **U.S. Cl.**
USPC **D24/200**

(58) **Field of Classification Search**
USPC D24/200, 201, 207, 215; D23/259, 260,
D23/262; D13/108; D3/294; D9/453,
D9/454; D32/25, 32
CPC .. A61F 7/02; A63B 21/0004; A63B 23/03516
See application file for complete search history.

(56) **References Cited**

U.S. PATENT DOCUMENTS

D54,553 S *	3/1920	Lobl	D24/207
D258,526 S *	3/1981	Nederman	D23/262
D360,019 S *	7/1995	Sonden	D23/262
D360,020 S *	7/1995	Sonden	C04B 35/63488
				D23/262
D367,316 S *	2/1996	Sonden	D23/262
D383,053 S *	9/1997	Schrader	D23/262
D383,195 S *	9/1997	Sonden	D23/262
D386,246 S *	11/1997	Sonden	D23/262
D446,298 S *	8/2001	Thurman	D23/262
D571,440 S *	6/2008	Kanao	D23/262
D616,966 S *	6/2010	Angell	D23/262
D631,142 S *	1/2011	Angell	D23/262
D637,697 S *	5/2011	Steiner	D23/262
D683,079 S *	5/2013	Schmidt	D29/122
D715,145 S *	10/2014	Yamagishi	D23/262

(Continued)

FOREIGN PATENT DOCUMENTS

CN	306990684	*	12/2021
KR	301138696.0000	*	11/2021

OTHER PUBLICATIONS

PVC End Bell—The Home Depot, date published Nov. 13, 2019, date retrieved Aug. 19, 2022—29791020—<https://www.homedepot.com/p/reviews/Carlson-1-in-PVC-End-Bell-Case-of-15-E997F-CAR/202206125/1> (Year: 2019).*

(Continued)

Primary Examiner — Nicole C Shiflet

Assistant Examiner — Danielle Nichole Bowly

(74) *Attorney, Agent, or Firm* — Rumit Ranjit Kanakia

(57) **CLAIM**

The ornamental design for a massager accessory, as shown and described.

DESCRIPTION

FIG. 1 is a first perspective view of a massager accessory showing my new design;

FIG. 2 is a second perspective view thereof;

FIG. 3 is a front view thereof;

FIG. 4 is a back view thereof;

FIG. 5 is a left side view thereof;

FIG. 6 is a right side view thereof;

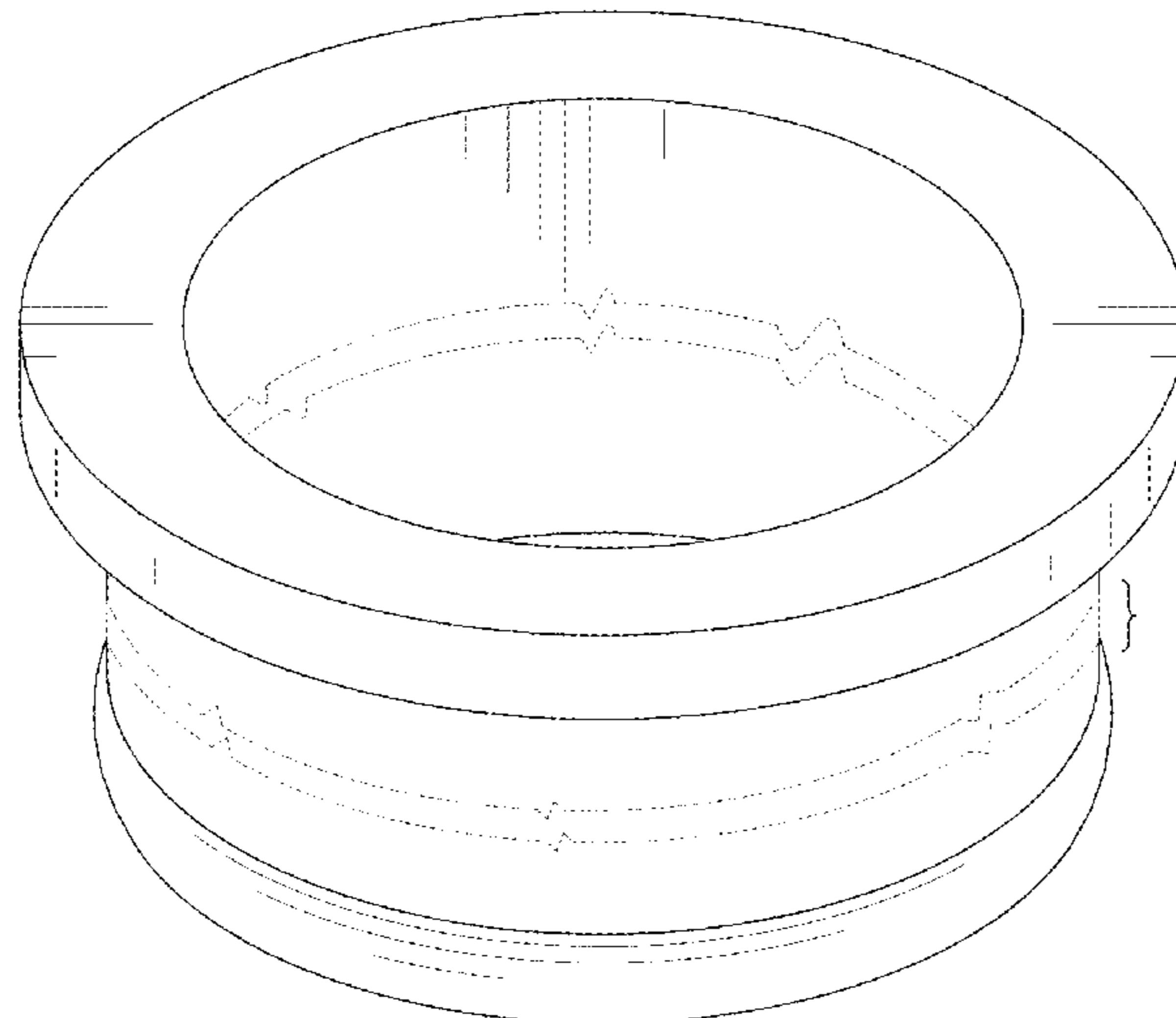
FIG. 7 is a top view thereof;

FIG. 8 is a bottom view thereof; and,

FIG. 9 is a perspective view of the using state of the massager accessory thereof.

Massager accessory is shown with a symbolic break in its height. The appearance of any portion of the article between the break lines forms no part of the design. The short dash broken lines shown in the drawings represent boundaries of the massager accessory that form no part of the claimed design. The long dash broken lines show environmental subject matter of the claim in use and form no part of the claimed design.

1 Claim, 9 Drawing Sheets



(56)

References Cited

U.S. PATENT DOCUMENTS

D717,405 S * 11/2014 Coronado D23/259
D741,502 S * 10/2015 Gomez D24/215
D762,871 S * 8/2016 Gomez D24/215
D908,231 S 1/2021 Ye
D916,248 S * 4/2021 Pettengill D23/260
D923,190 S 6/2021 Xu
D923,192 S 6/2021 Park

OTHER PUBLICATIONS

PVC End Bell—www.granitecityelectric.com, date found Dec. 4, 2015, date retrieved Aug. 19, 2022—29791020—https://tineye.com/search/37c86941ca307c79050c53d69a2153ff0ff8f3c7?sort=crawl_date&order=asc&page=1 (Year: 2015).*

* cited by examiner

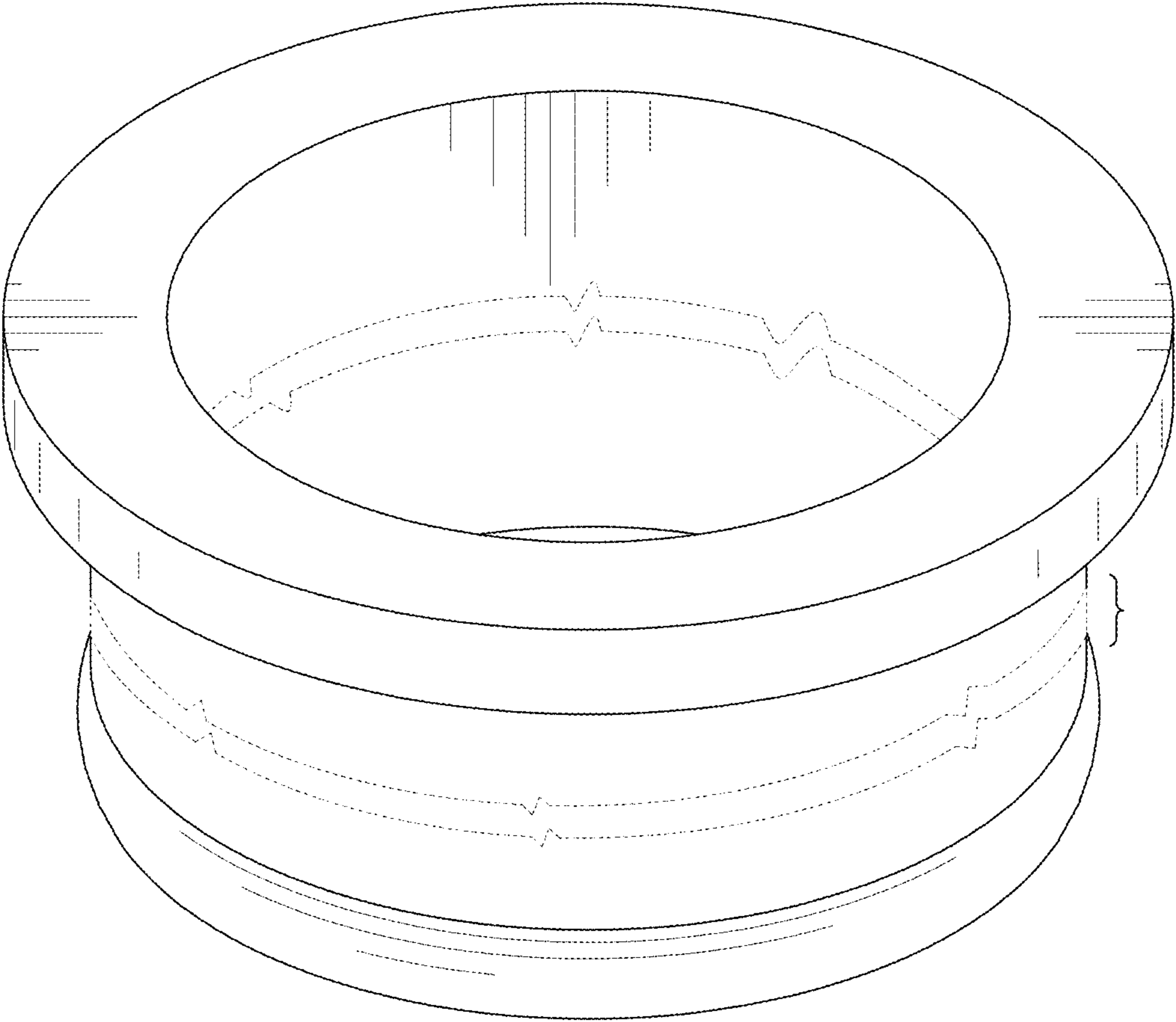


FIG. 1

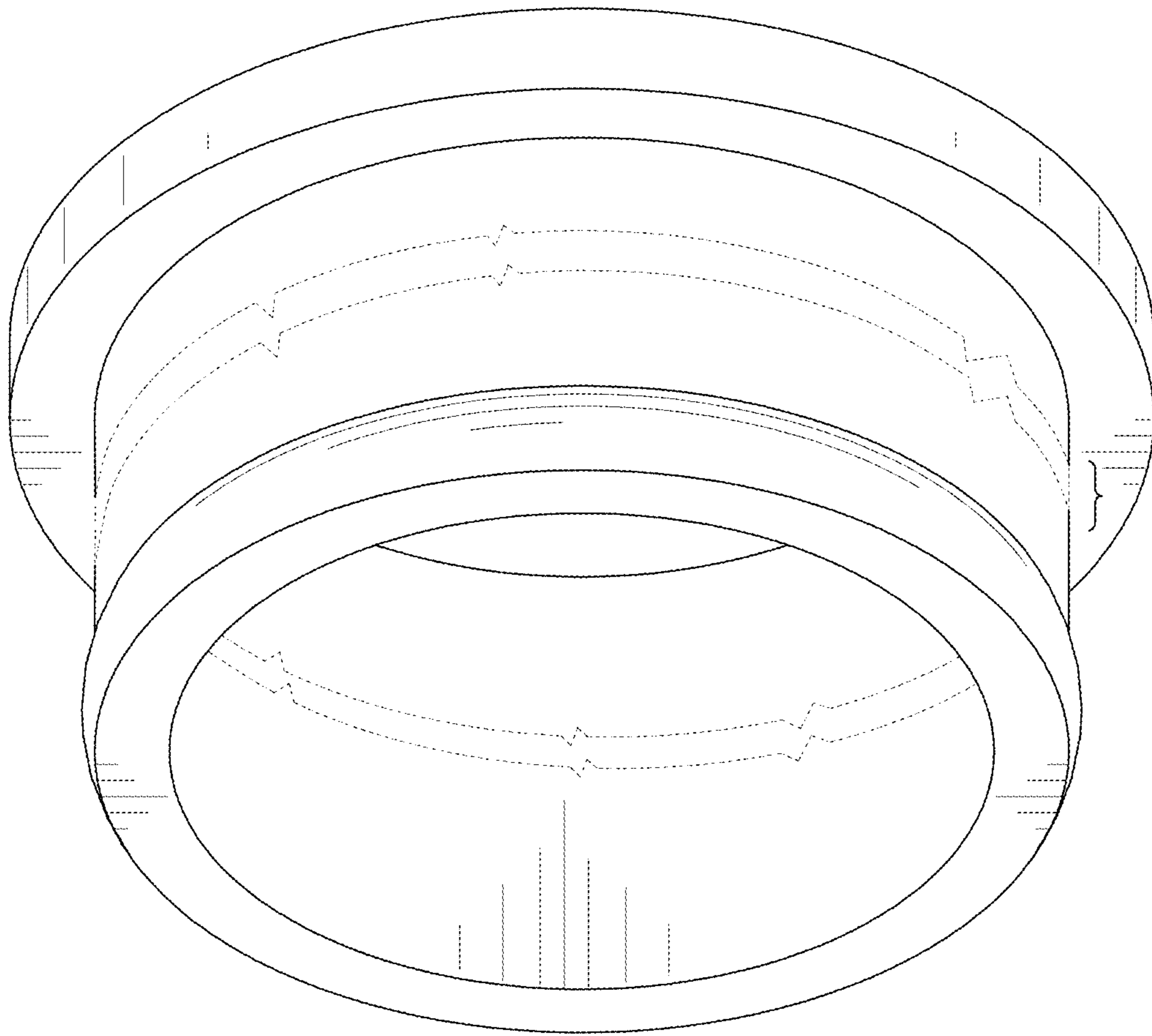


FIG. 2

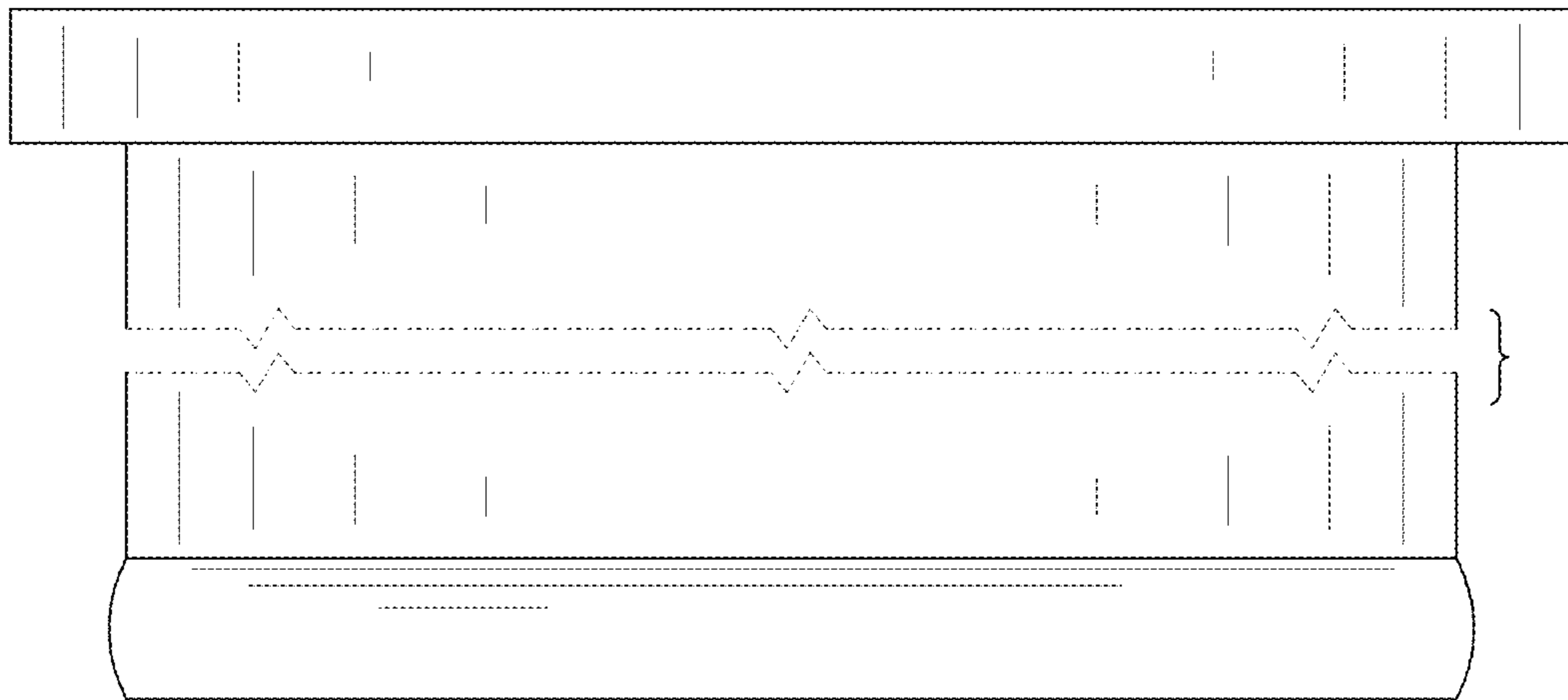


FIG. 3

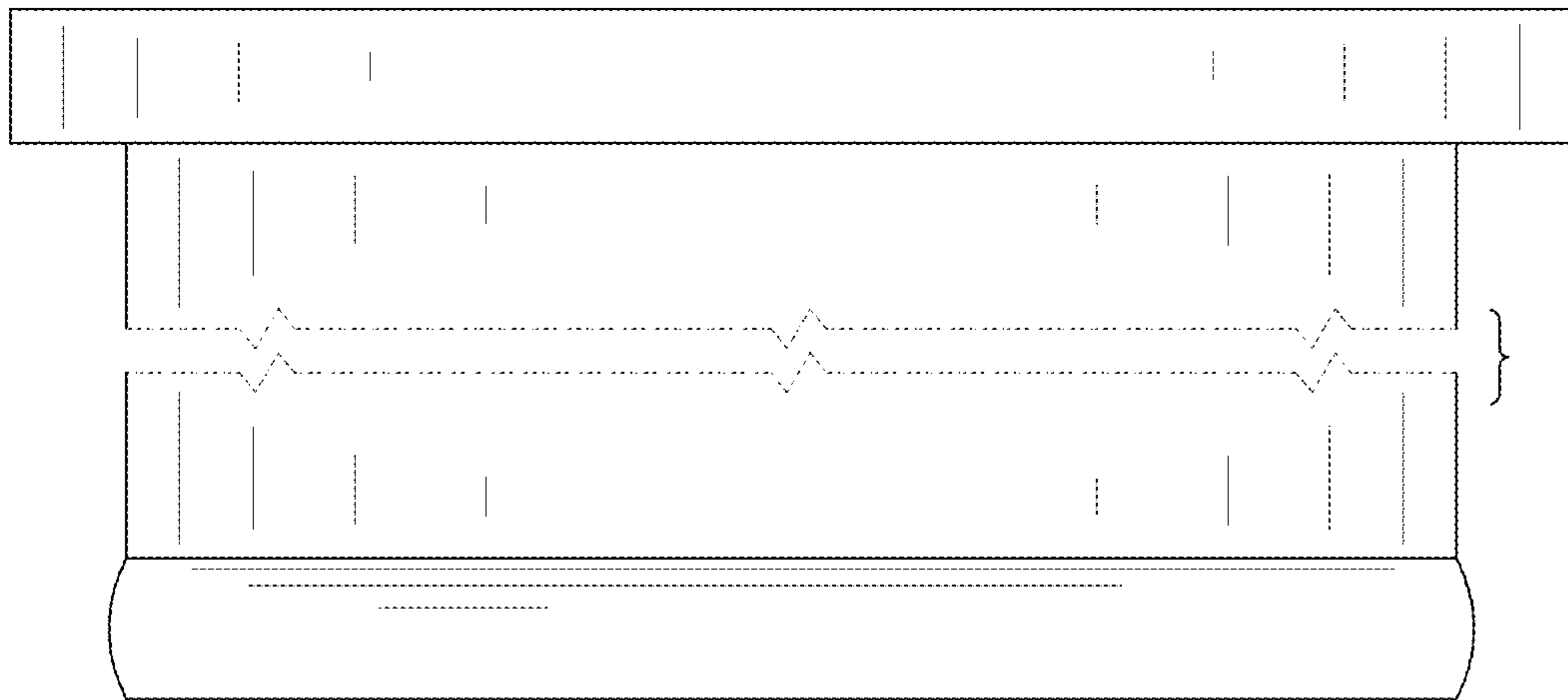


FIG. 4

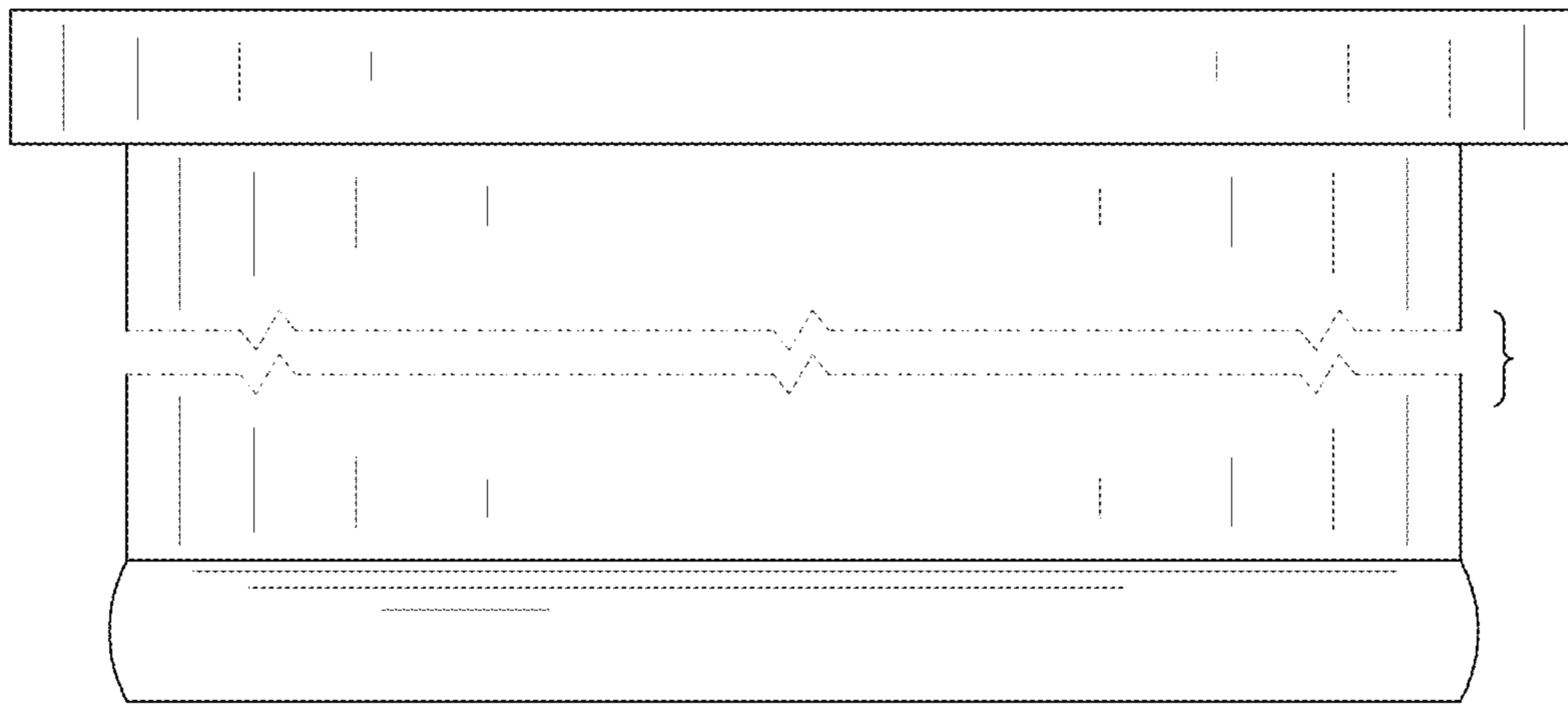


FIG. 5

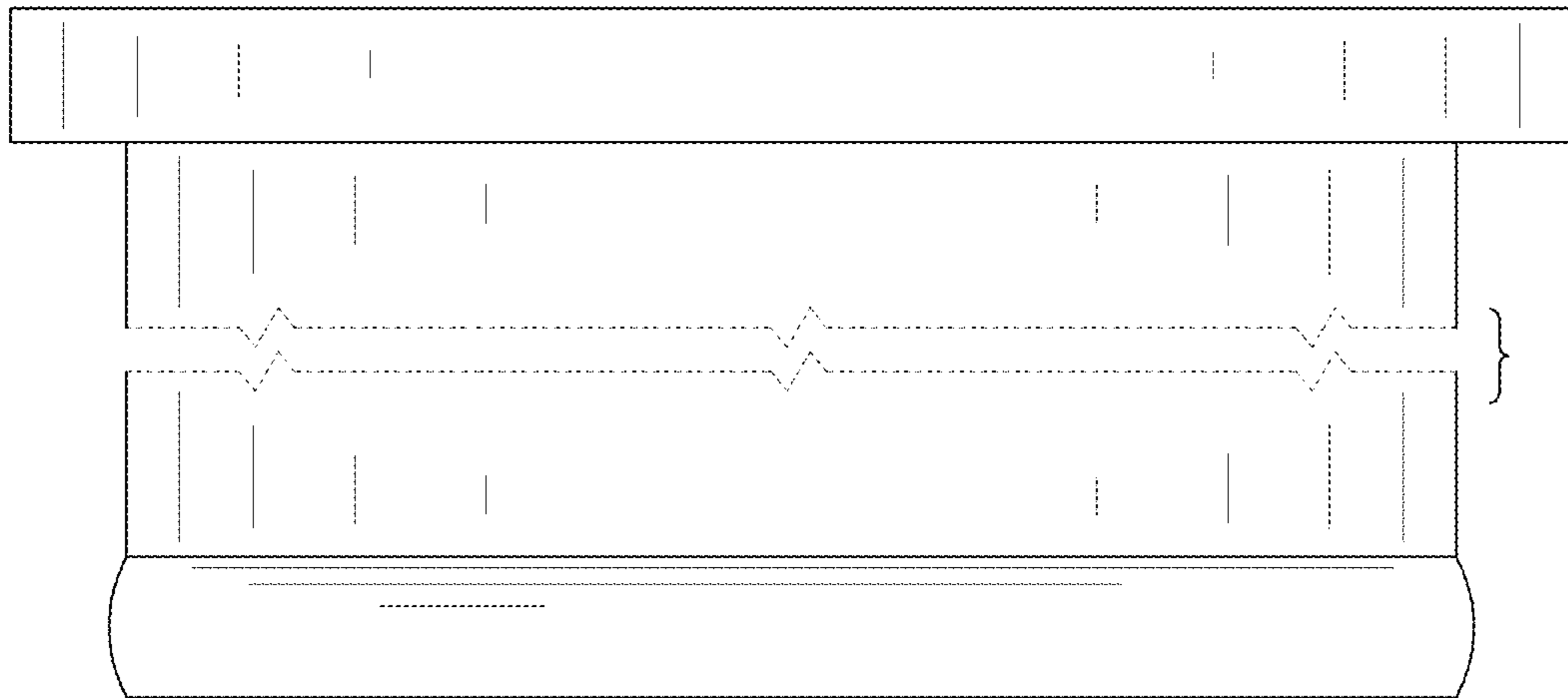


FIG. 6

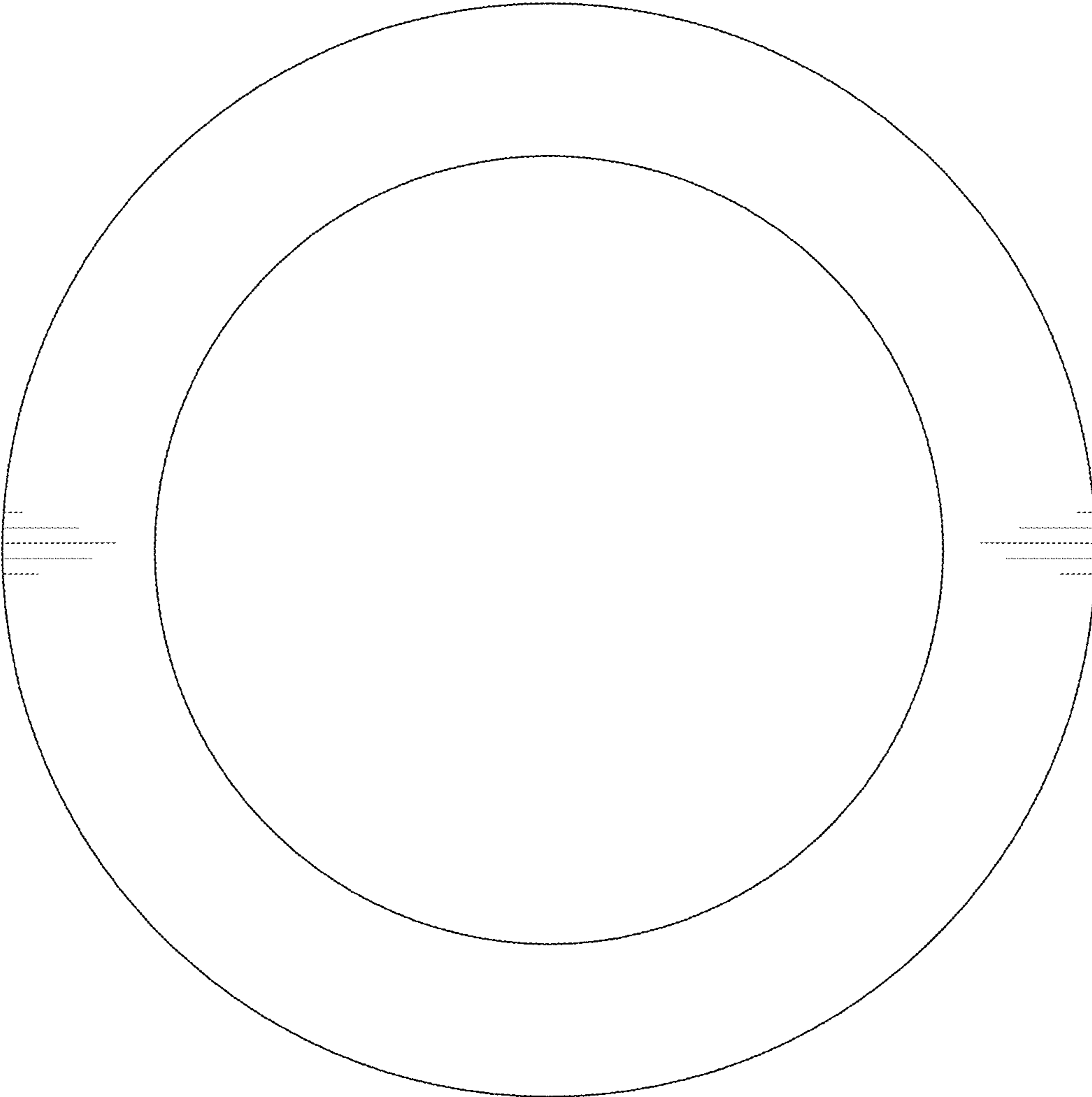


FIG. 7

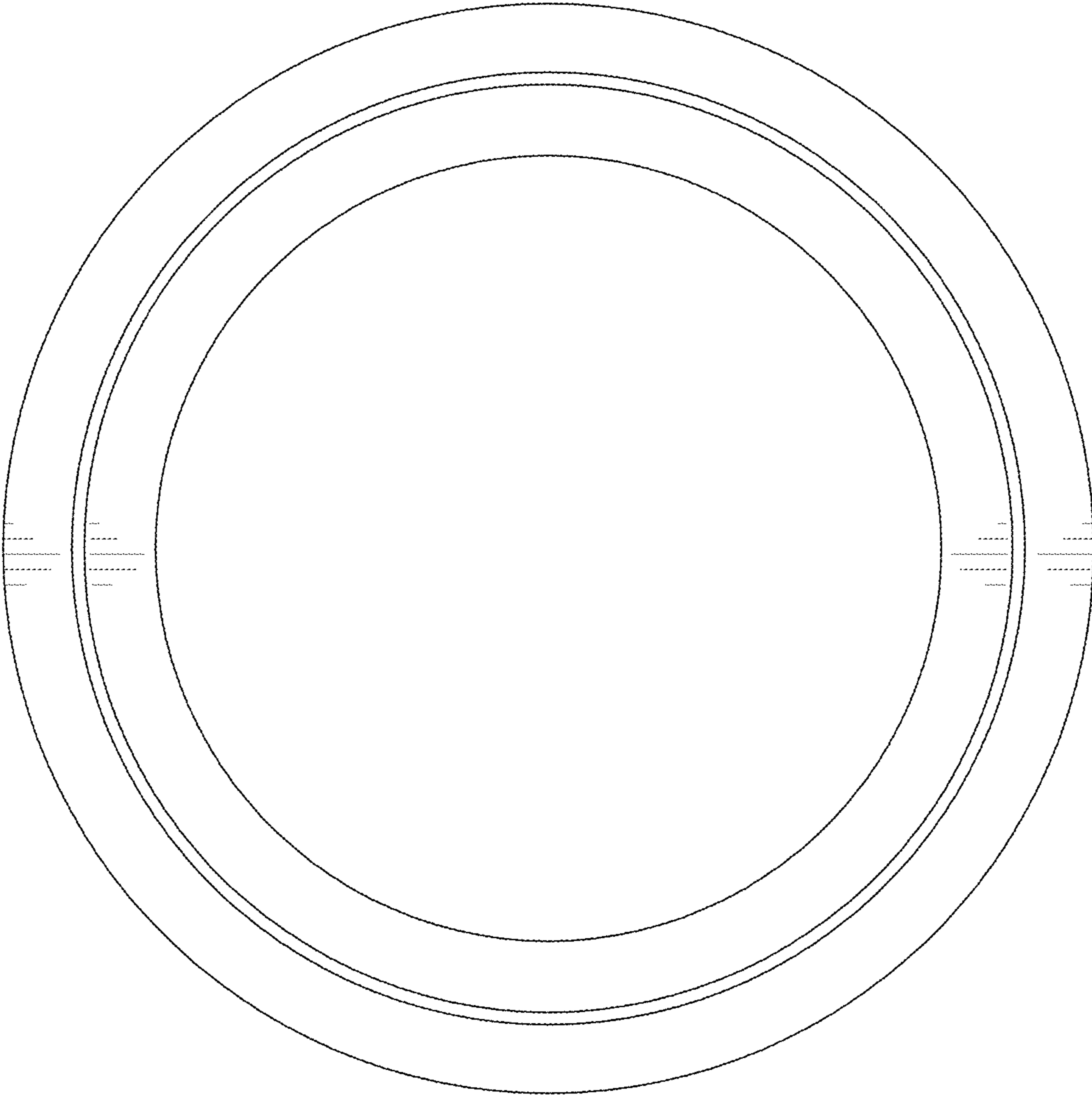


FIG. 8

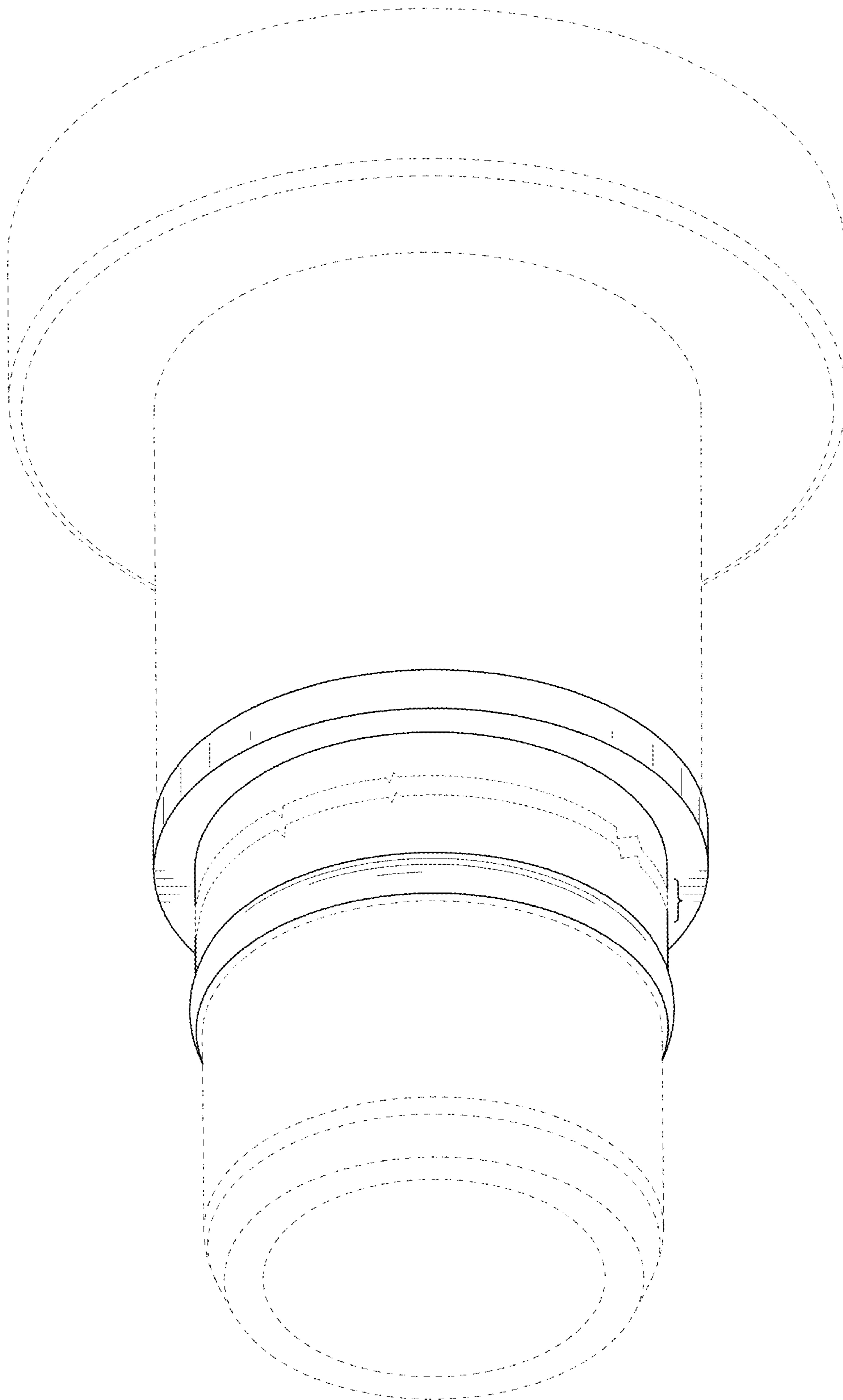


FIG. 9