



US00D984651S

(12) **United States Design Patent** (10) **Patent No.:** **US D984,651 S**
Yin (45) **Date of Patent:** **** Apr. 25, 2023**

(54) **POSTURE CORRECTOR**

(71) Applicant: **Lilei Yin**, Henan (CN)

(72) Inventor: **Lilei Yin**, Henan (CN)

(**) Term: **15 Years**

(21) Appl. No.: **29/843,860**

(22) Filed: **Jun. 24, 2022**

(51) **LOC (14) Cl.** **24-01**

(52) **U.S. Cl.**
USPC **D24/190**

(58) **Field of Classification Search**
USPC D24/155, 183, 188, 189, 190, 191, 192,
D24/199, 200, 206, 212, 213, 214
CPC ... A61F 5/3707; B60N 2/4879; B60N 2/4882;
B60N 2/48; A47G 9/1009; A47G 9/1054;
A47G 9/1081
See application file for complete search history.

(56) **References Cited**

U.S. PATENT DOCUMENTS

718,594	A *	1/1903	Bailey	A61H 15/0092
					15/201
2,219,948	A *	10/1940	Bundy	A63B 21/4047
					482/92
2,904,040	A *	9/1959	Hale	A61F 5/055
					602/18
D245,537	S *	8/1977	Gurgiolo	D29/101.1
D329,925	S *	9/1992	Tilbury	D29/100
D341,662	S *	11/1993	Hoff	D24/214
D347,898	S *	6/1994	Belcher	D24/211
D353,008	S *	11/1994	Van Harn	D24/211
D447,810	S *	9/2001	Hannah	D24/214
D463,029	S *	9/2002	Collins	D24/214
D467,663	S *	12/2002	Leighton	D24/206
D495,422	S *	8/2004	Chen	D24/214
D594,989	S *	6/2009	Carlson	D24/188
D613,416	S *	4/2010	Schupman	D24/200
D635,624	S *	4/2011	Brown	D24/190
D642,268	S *	7/2011	Qureshi	D24/155

D646,394	S *	10/2011	Tweardy	D24/190
8,088,052	B1 *	1/2012	Sprague	A63B 26/003
					482/141
D679,824	S *	4/2013	Forest	D24/214
D706,428	S *	6/2014	Manzo	D24/188
D712,563	S *	9/2014	Pursel	D24/171

(Continued)

OTHER PUBLICATIONS

Posture Corrector, [site visited Oct. 22, 2022]. Available from Internet. URL: https://www.amazon.com/Posture-Corrector-stretching-posture-retractable/dp/B09YNWS4V2/ref=pd_day0fbt_img_scl . . . Apr. 23, 2022 (Year: 2022).*

Primary Examiner — T Chase Nelson
Assistant Examiner — Kelly L Gross

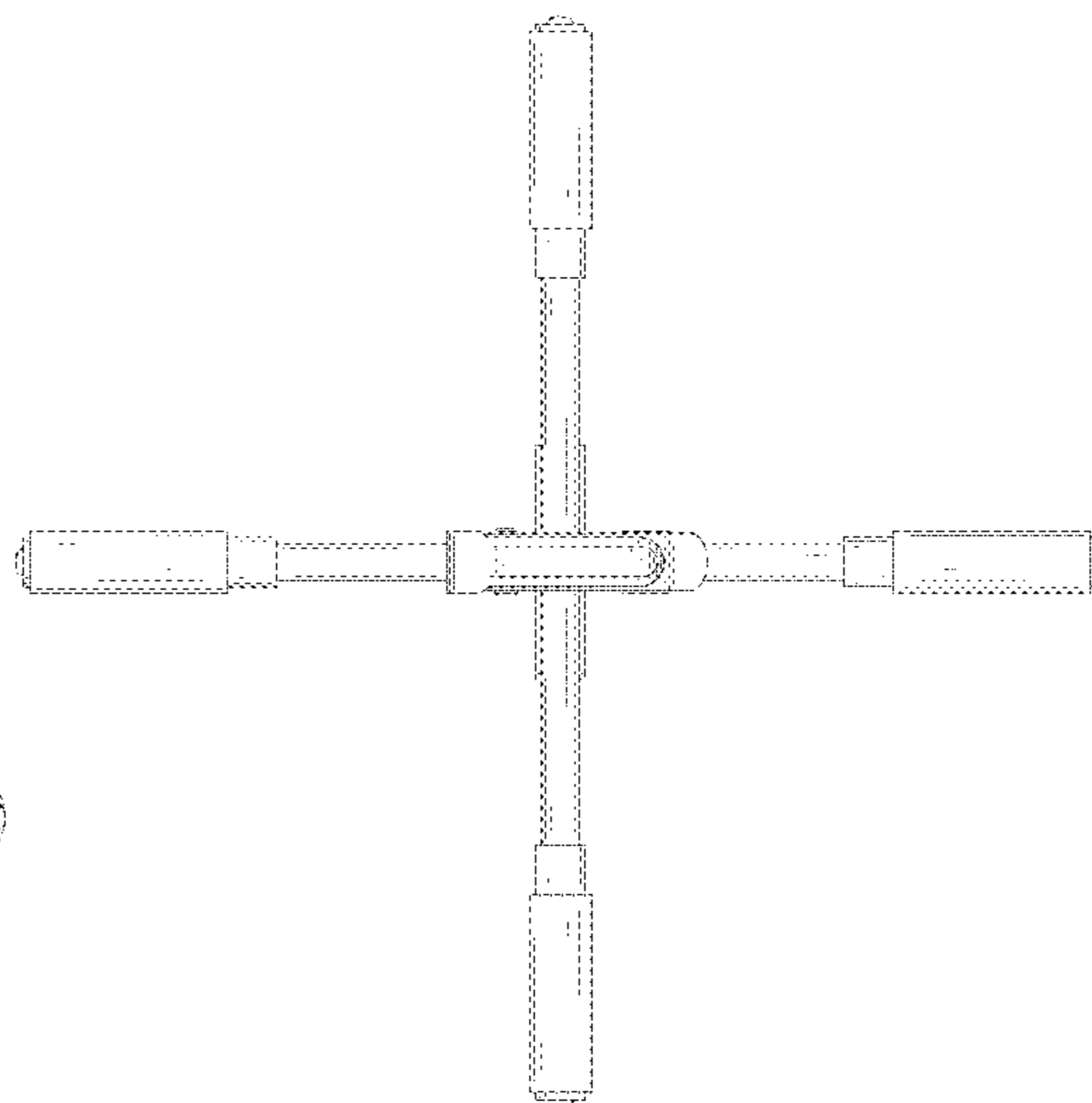
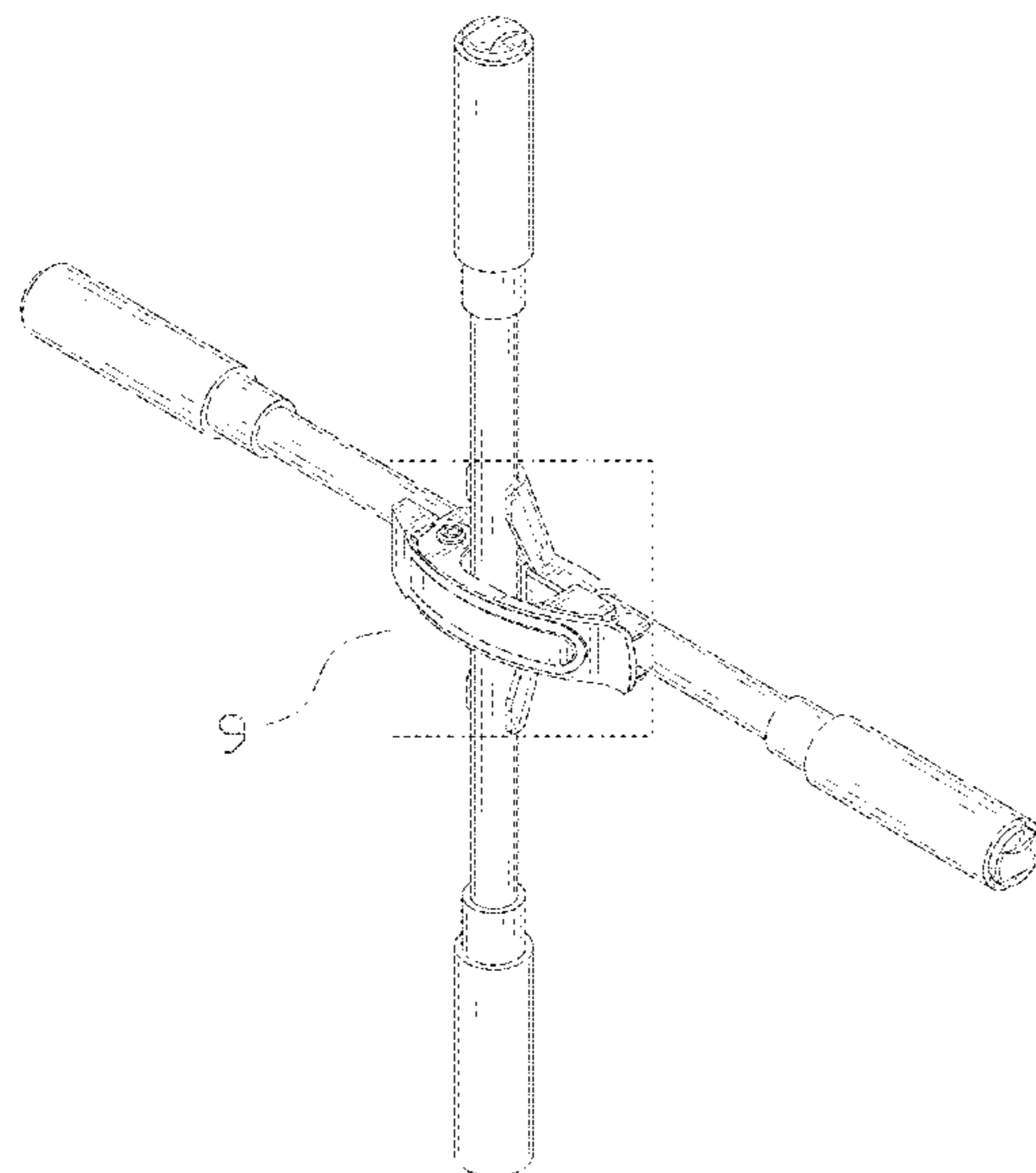
(57) **CLAIM**

The ornamental design for a posture corrector, as shown and described.

DESCRIPTION

FIG. 1 is a front and top perspective view of a posture corrector, showing my new design;
FIG. 2 is a rear and bottom perspective view thereof;
FIG. 3 is a front elevation view thereof;
FIG. 4 is a rear elevation view thereof;
FIG. 5 is a left side elevation view thereof;
FIG. 6 is a right side elevation view thereof;
FIG. 7 is a top plan view thereof;
FIG. 8 is a bottom plan view thereof; and,
FIG. 9 is an enlarged view of a portion indicated with numeric 9 in FIG. 1.
The dashed lines in the figures illustrate portions of the posture corrector that form no part of the claimed design. The dash dot dash lines in FIGS. 1 and 9 are for the purpose of depicting the boundary lines of the enlarged view and form no part of the claimed design.

1 Claim, 9 Drawing Sheets



(56)

References Cited

U.S. PATENT DOCUMENTS

D721,440 S * 1/2015 Pursel A61H 7/003
 D24/214
 D723,710 S * 3/2015 Ishibashi D24/215
 D728,812 S * 5/2015 Forest D24/214
 D730,582 S * 5/2015 Lee D28/91.2
 D739,950 S * 9/2015 Almarales D24/214
 D748,277 S * 1/2016 Chen D24/190
 D752,767 S * 3/2016 Stock D24/214
 D768,307 S * 10/2016 Hetzel D24/214
 D768,309 S * 10/2016 Hetzel D24/214
 D768,956 S * 10/2016 Jirsa D24/190
 D773,682 S * 12/2016 Faussett A61H 15/0092
 D24/214
 D802,153 S * 11/2017 Kelly D24/188
 9,968,474 B2 * 5/2018 Carpenter A61H 1/0296

D830,562 S * 10/2018 Kim D24/190
 D833,614 S * 11/2018 Lange D24/155
 D847,356 S * 4/2019 Chen D24/190
 D867,607 S * 11/2019 Nash A61H 15/0092
 D24/200
 D868,270 S * 11/2019 Nadeau A61F 5/055
 D24/190
 D869,667 S * 12/2019 Daken D24/190
 D871,596 S * 12/2019 Qiu A63B 26/003
 D24/190
 D887,008 S * 6/2020 Hernandez D24/183
 D930,175 S * 9/2021 Arazi D24/215
 D938,597 S 12/2021 Du
 D945,636 S * 3/2022 Sletten A61H 1/0296
 D24/214
 D946,772 S * 3/2022 Sunkara D24/190
 D953,691 S * 6/2022 Jirsa D2/701
 2022/0322777 A1 * 10/2022 Beranek A61F 5/3707

* cited by examiner

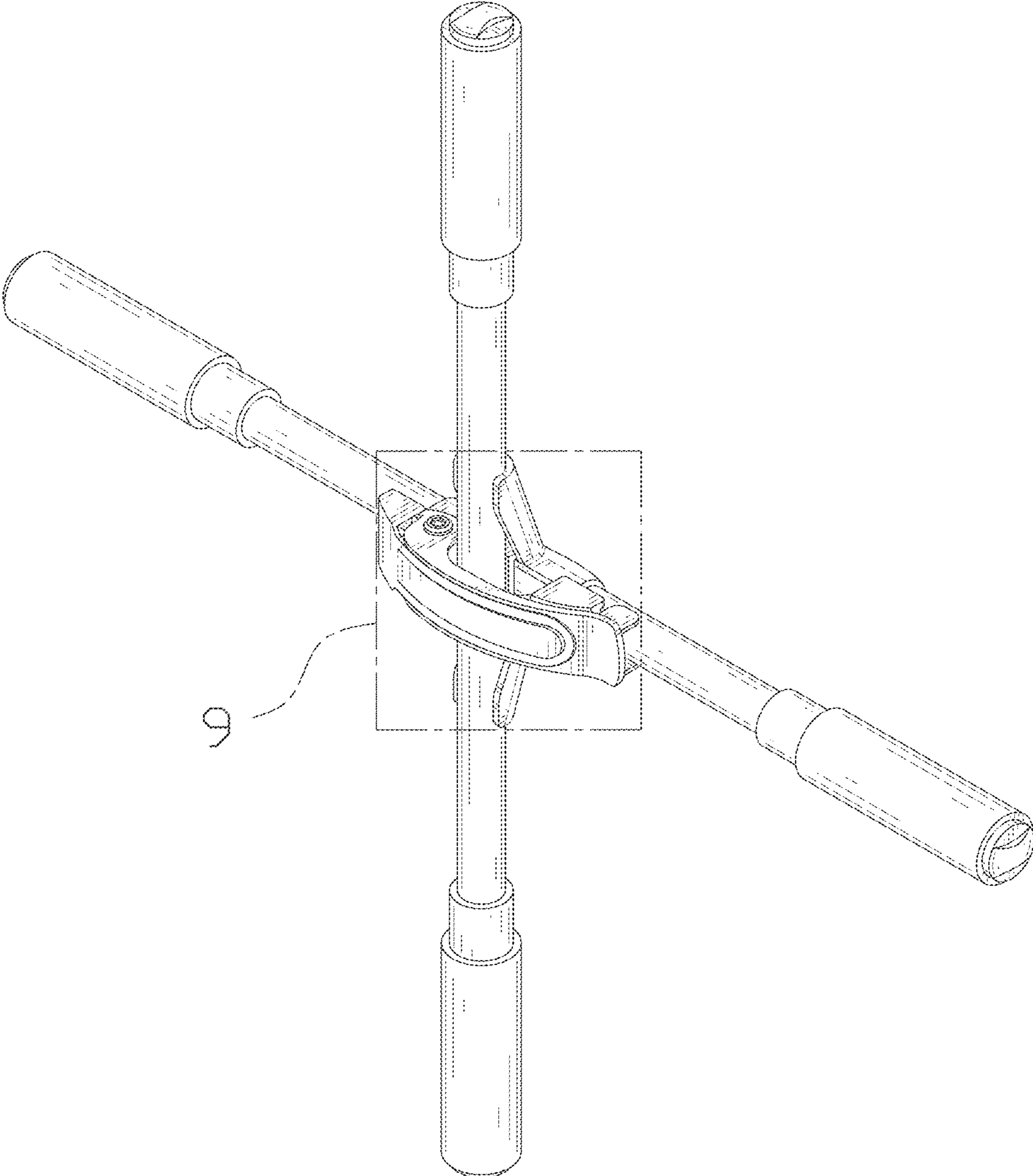


FIG. 1

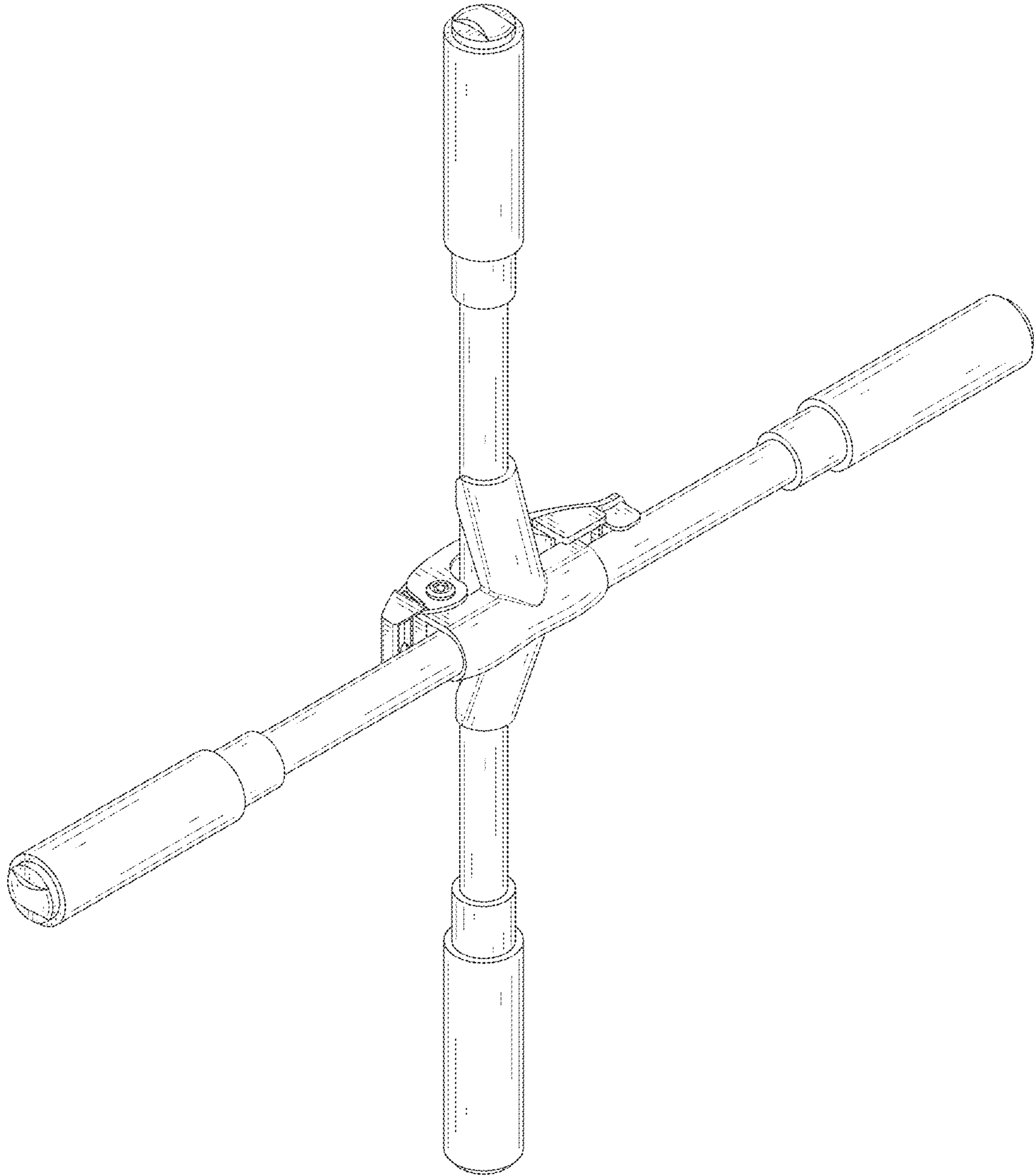


FIG. 2

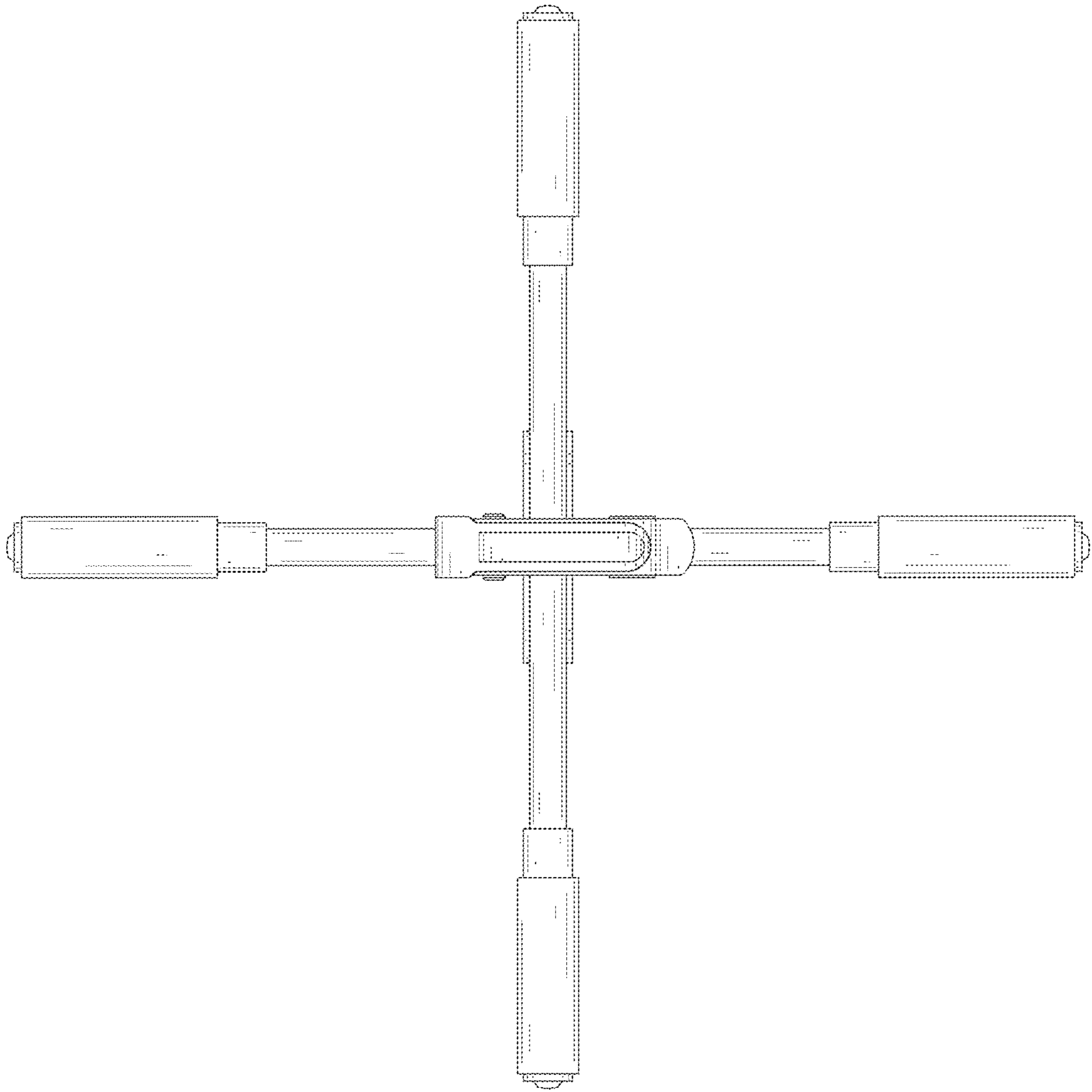


FIG. 3

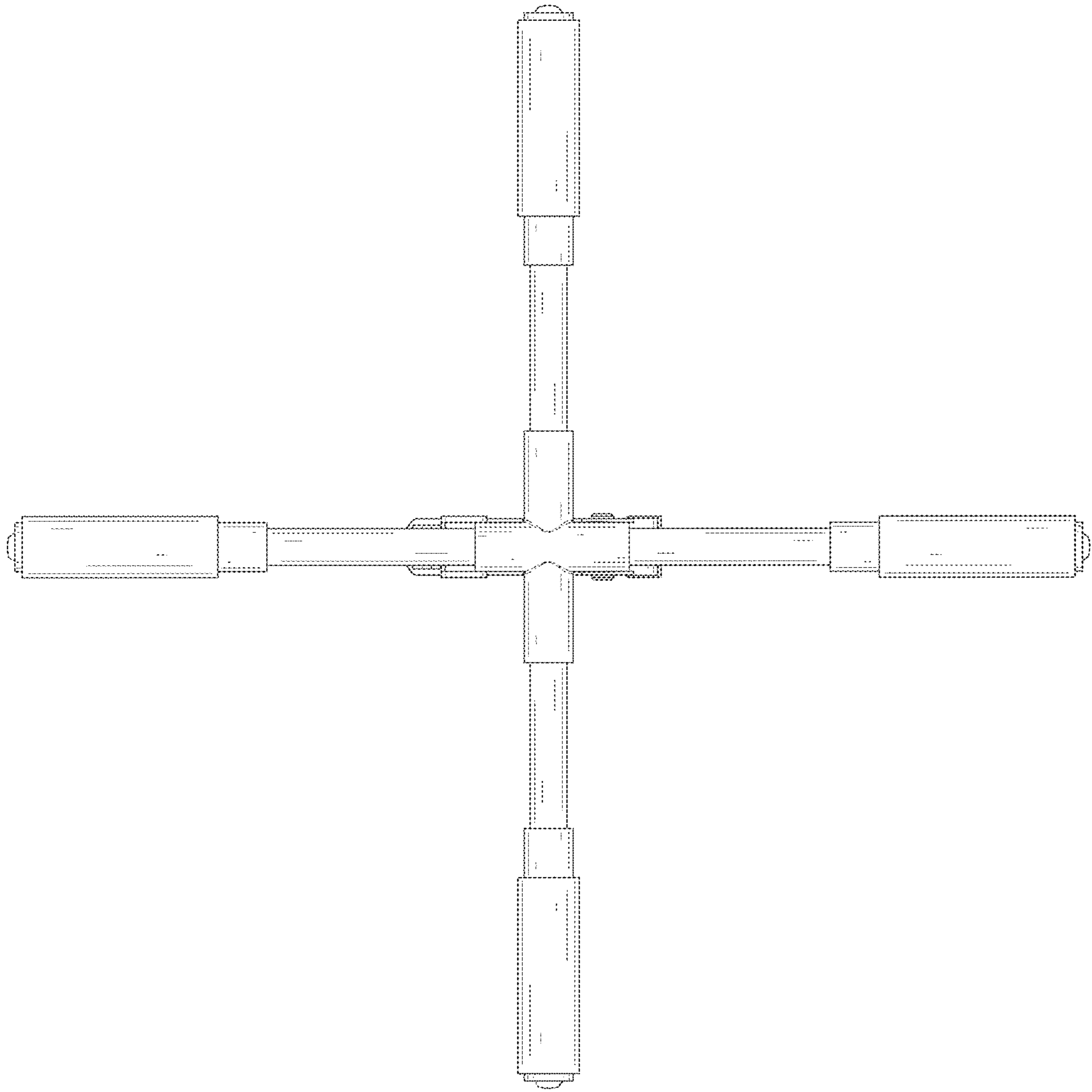


FIG. 4

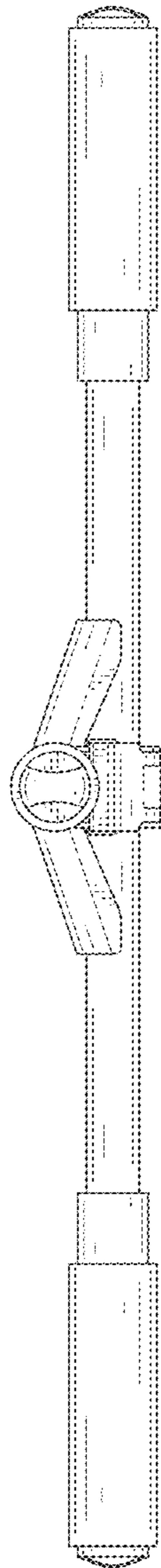


FIG. 5

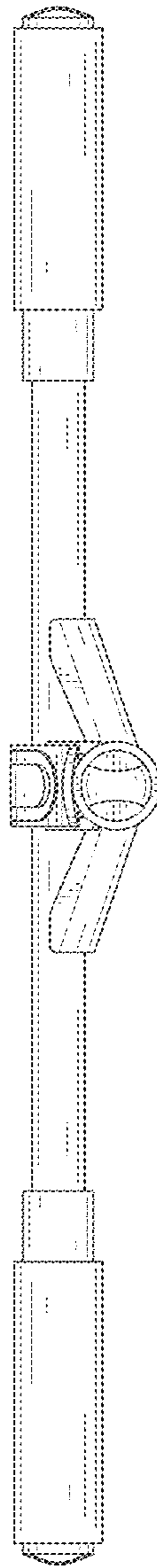


FIG. 6

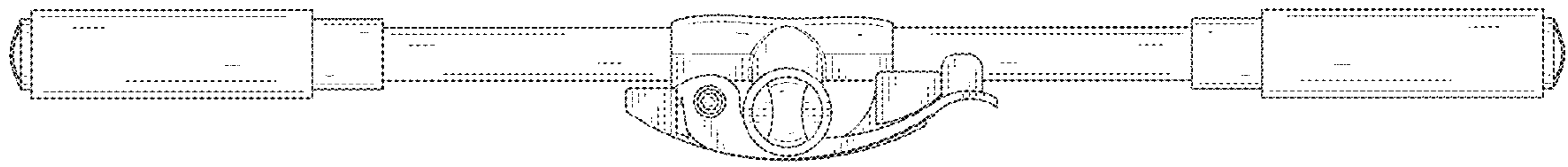


FIG. 7

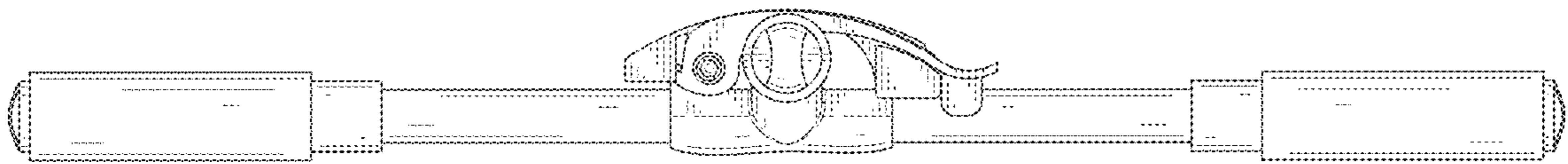


FIG. 8

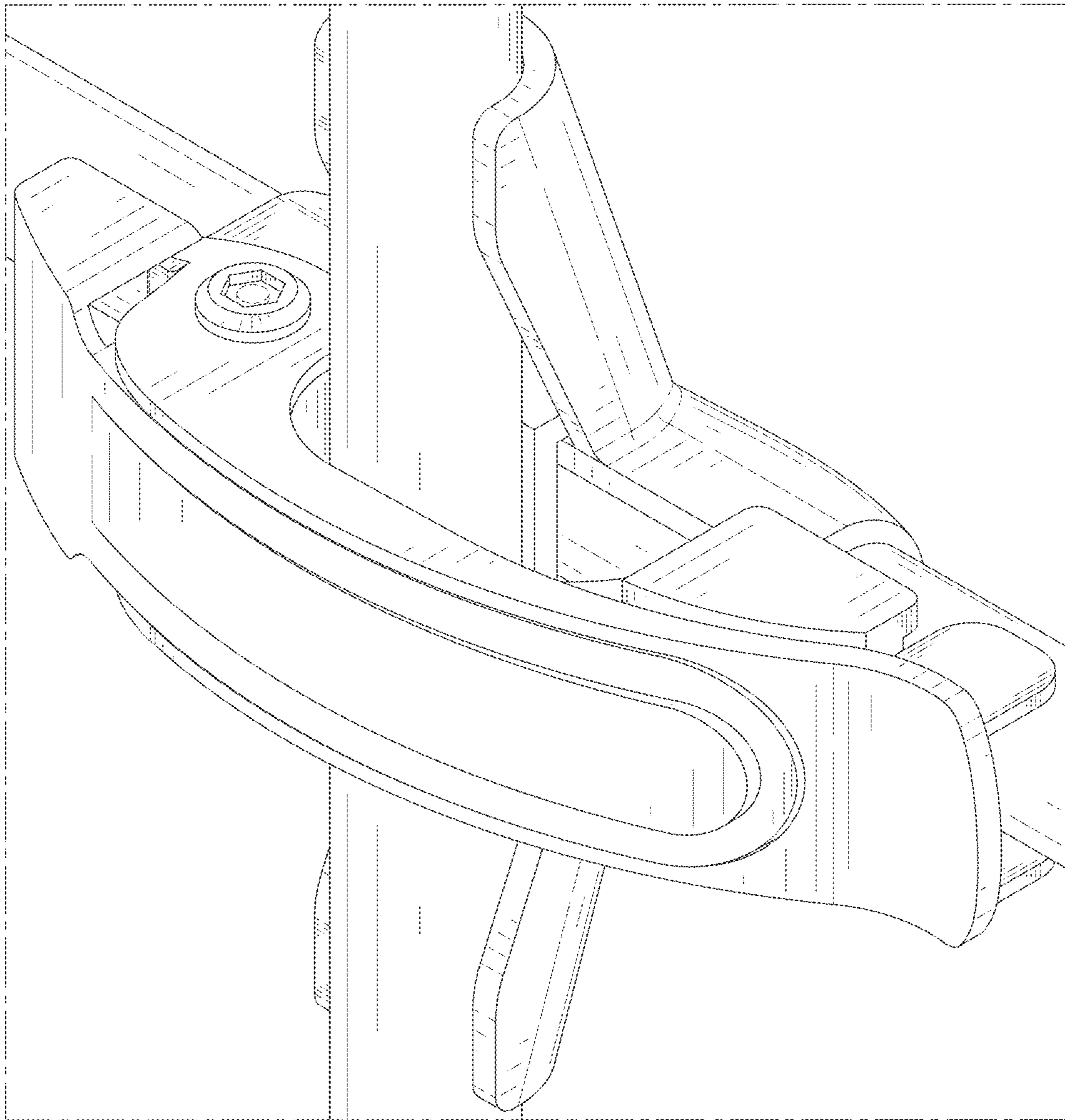


FIG. 9