



US00D984649S

(12) **United States Design Patent** (10) **Patent No.:** **US D984,649 S**
Aguiar (45) **Date of Patent:** **** Apr. 25, 2023**

(54) **ARM REST**
(71) Applicant: **ImportLA, LLC**, Orange, CA (US)
(72) Inventor: **Rodney Aguiar**, Fullerton, CA (US)
(73) Assignee: **ImportLA, LLC**, Orange, CA (US)
(**) Term: **15 Years**

D865,971 S * 11/2019 Doerrfuss D24/183
D888,965 S * 6/2020 Zwierstra D24/184
D895,810 S * 9/2020 Allespach D24/183
D896,376 S * 9/2020 Yaghoobian D24/135
D897,140 S * 9/2020 Deng D6/716.2
D897,540 S * 9/2020 Roth D24/183
D898,394 S * 10/2020 Koi D6/366
D911,528 S * 2/2021 Sun D24/183
D917,052 S * 4/2021 Whitlock D24/183
D942,179 S * 2/2022 Qu D6/601

(Continued)

(21) Appl. No.: **29/744,636**

(22) Filed: **Jul. 30, 2020**

(51) **LOC (14) Cl.** **24-02**

(52) **U.S. Cl.**
USPC **D24/183**

(58) **Field of Classification Search**
USPC D6/716.1, 716.2, 349, 354; D28/73;
D24/183, 159, 184, 200
CPC A61G 7/00; A61G 7/0507; A61G 13/107;
A47C 7/54; A47C 11/00; A47C 12/00;
A47C 16/02; A47C 16/04; A47C 9/00;
A61B 6/0421; A47B 7/00; A47B 7/02
See application file for complete search history.

(56) **References Cited**

U.S. PATENT DOCUMENTS

4,069,995 A * 1/1978 Miller B43L 15/00
248/118.1
D318,589 S * 7/1991 Szadkowski D6/716.2
D341,259 S * 11/1993 Mele D6/349
D467,745 S * 12/2002 Ryan D6/364
6,626,408 B1 * 9/2003 Lorbiecki A61B 6/0421
248/279.1
D606,345 S * 12/2009 Tsai D6/366
7,810,767 B1 * 10/2010 Harris A61B 90/60
248/118.1
D639,082 S * 6/2011 Pengelly D6/360
D655,418 S * 3/2012 Hancock D24/183
D728,798 S * 5/2015 Moon D24/184
D846,930 S * 4/2019 Patton D6/360
D862,914 S * 10/2019 Lenz D6/349

OTHER PUBLICATIONS

Amazon.com Nov. 14, 2022, Tattoo Arm rest, tattoo arm rest stand
Huoxou four corner base stability, <https://www.amazon.com/HUOXOU-Four-corner-Stability-Strongly-Adjustable/dp/B09WJ3PGNR> (Year: 2022).*

(Continued)

Primary Examiner — Cynthia Ramirez
(74) *Attorney, Agent, or Firm* — Kevin Schraven; Anooj Patel; Hankin Patent Law APC

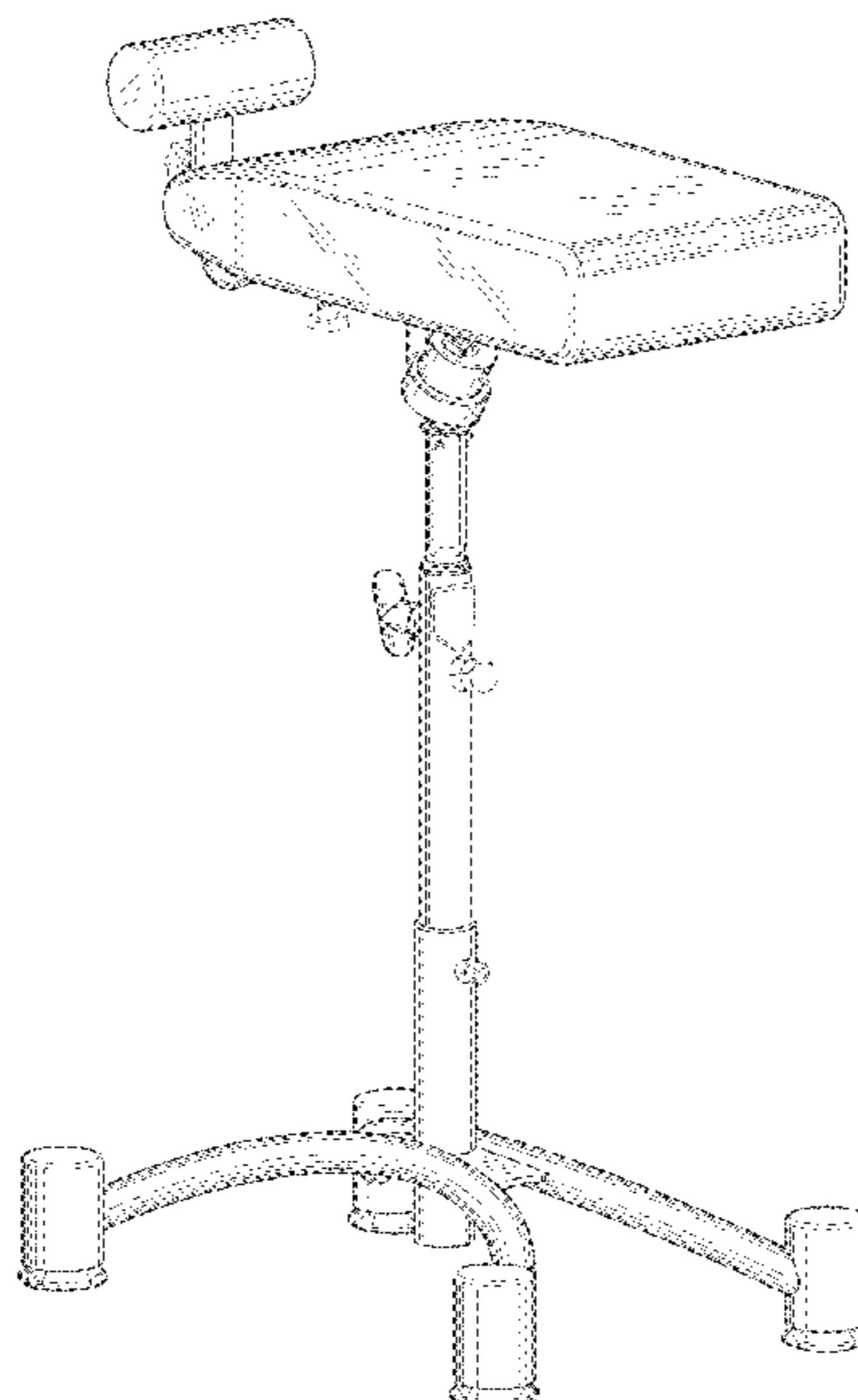
(57) **CLAIM**

The ornamental design for an arm rest, as shown and described.

DESCRIPTION

FIG. 1 is a top perspective view of an arm rest, showing my new design.
FIG. 2 is a bottom perspective view thereof.
FIG. 3 is a front elevational view thereof.
FIG. 4 is a rear elevational view thereof.
FIG. 5 is left-side elevational view thereof.
FIG. 6 is a right-side elevational view thereof.
FIG. 7 is a top plan view thereof; and,
FIG. 8 is a bottom plan view thereof.
The broken lines in the figures show portions of the arm rest which form no part of the claimed design.

1 Claim, 8 Drawing Sheets



(56)

References Cited

U.S. PATENT DOCUMENTS

11,259,640 B2 * 3/2022 Tozeski A61B 5/022
D967,640 S * 10/2022 Chen D6/349
2017/0105530 A1 * 4/2017 Sheinkop A47C 3/34

OTHER PUBLICATIONS

GGworkshops.net Nov. 14, 2022, Tattoo Armrest Goliath pillow size,
<https://www.ggworkshop.net/products/tattoo-armrest-goliath-pillow-size-35-25%D1%81m-by-gg-workshop> (Year: 2022).*
ebay.com Nov. 14, 2022, Heavy duty tattoo tripod arm rest adjustable,
<https://www.ebay.com/itm/403784376565> (Year: 2022).*

* cited by examiner



Fig. 1

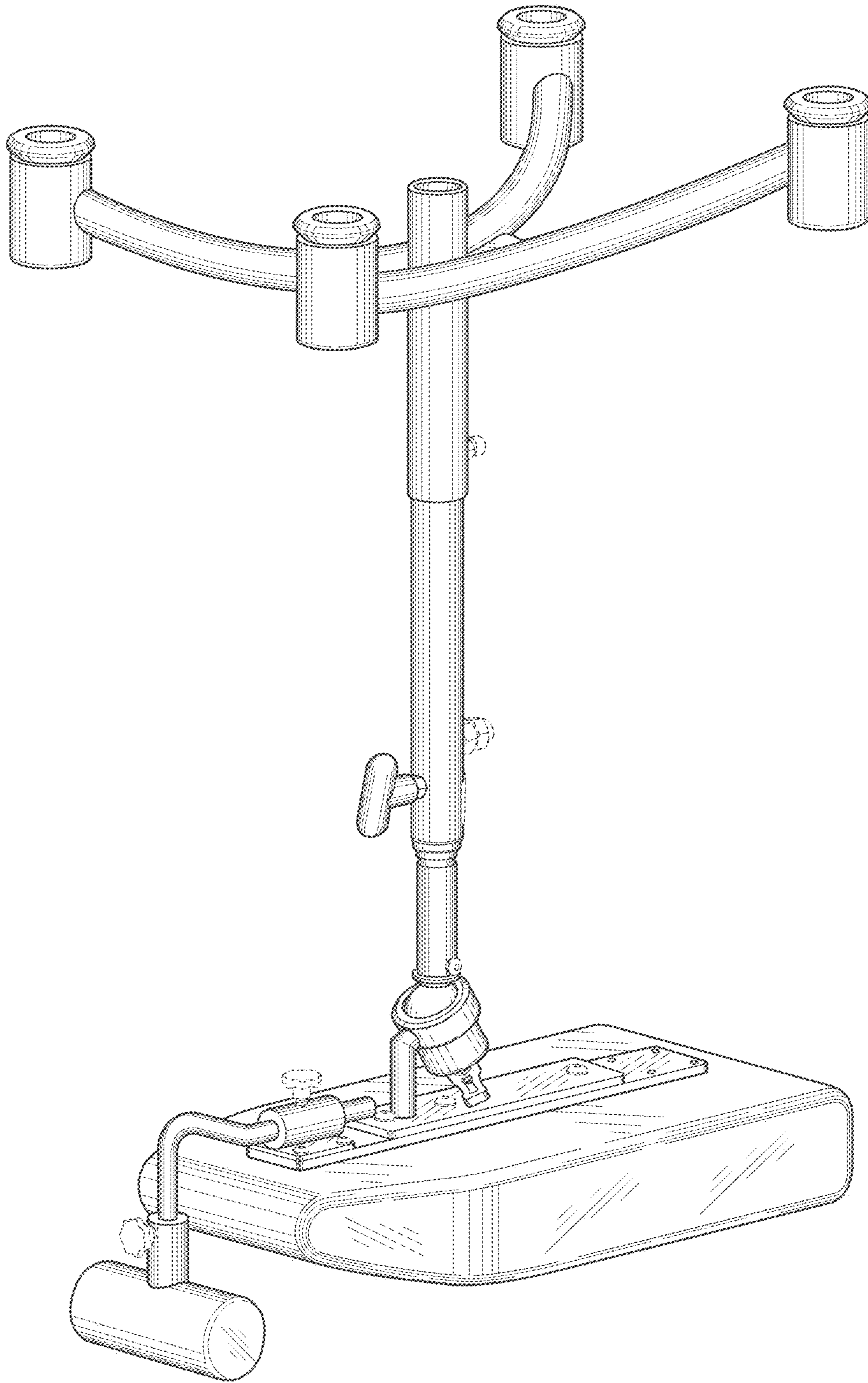


Fig. 2

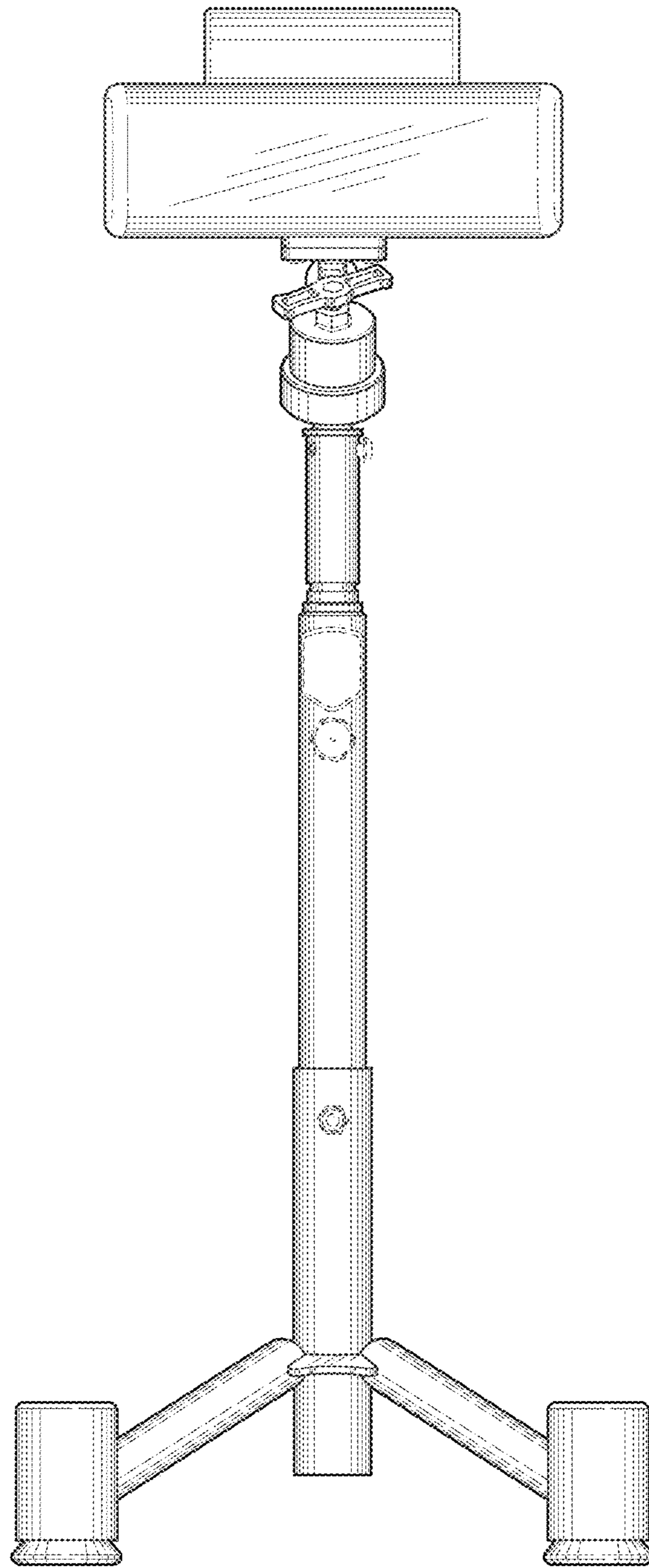


Fig. 3

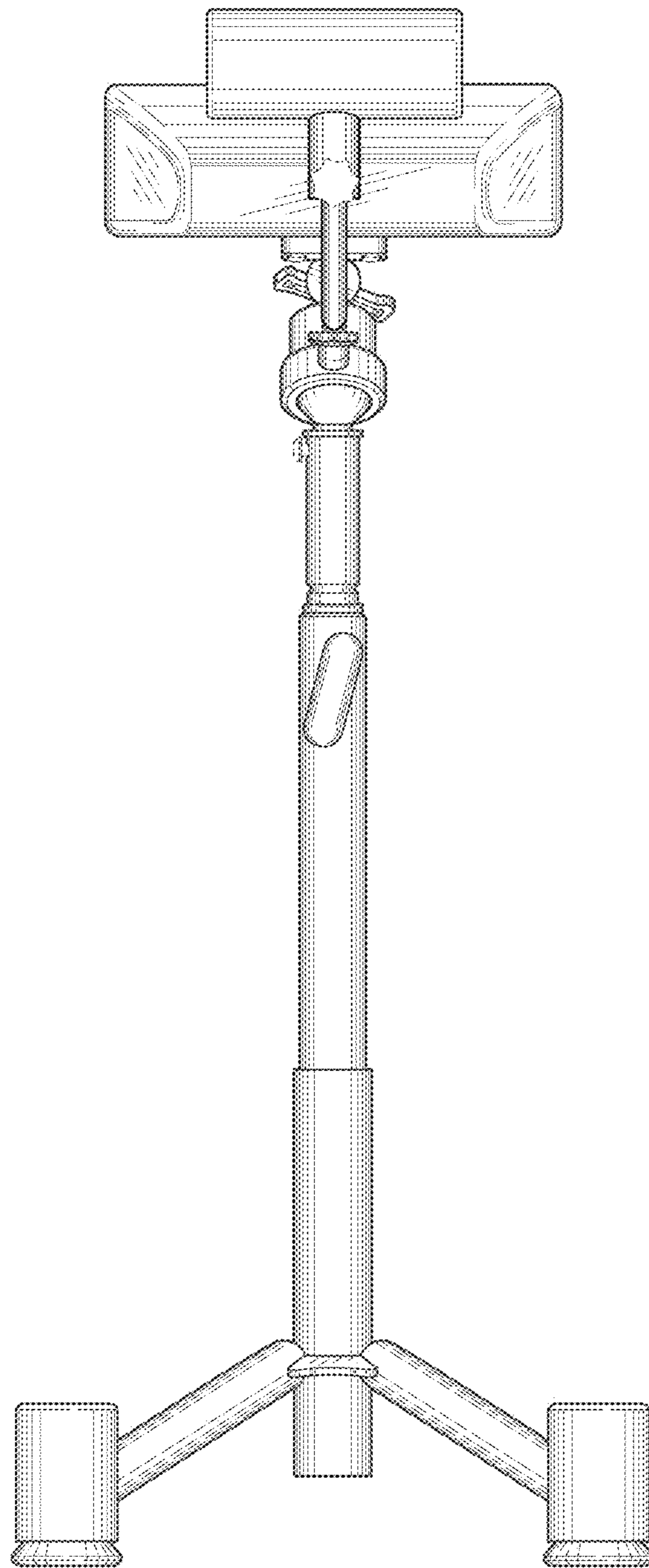


Fig. 4

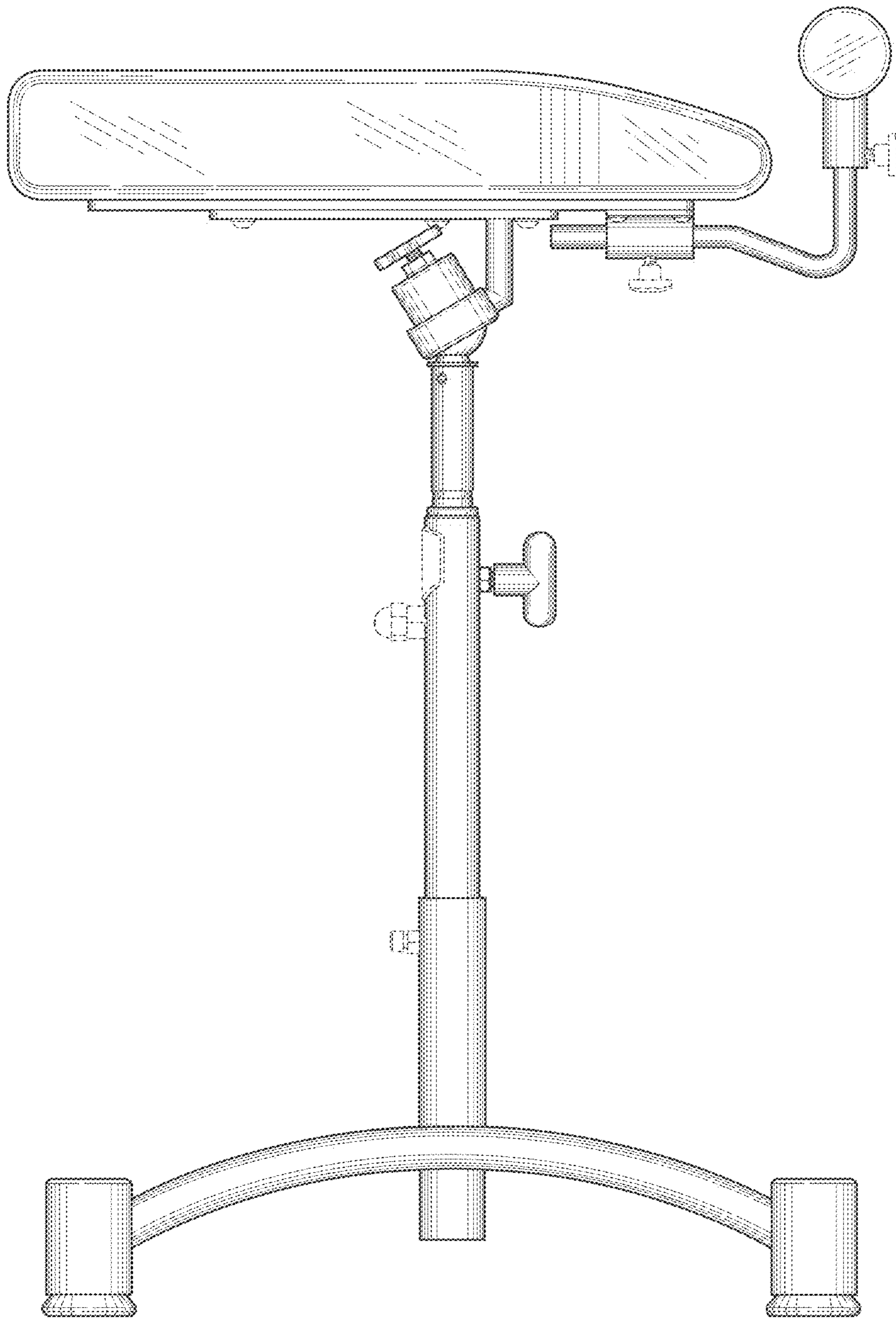


Fig. 5

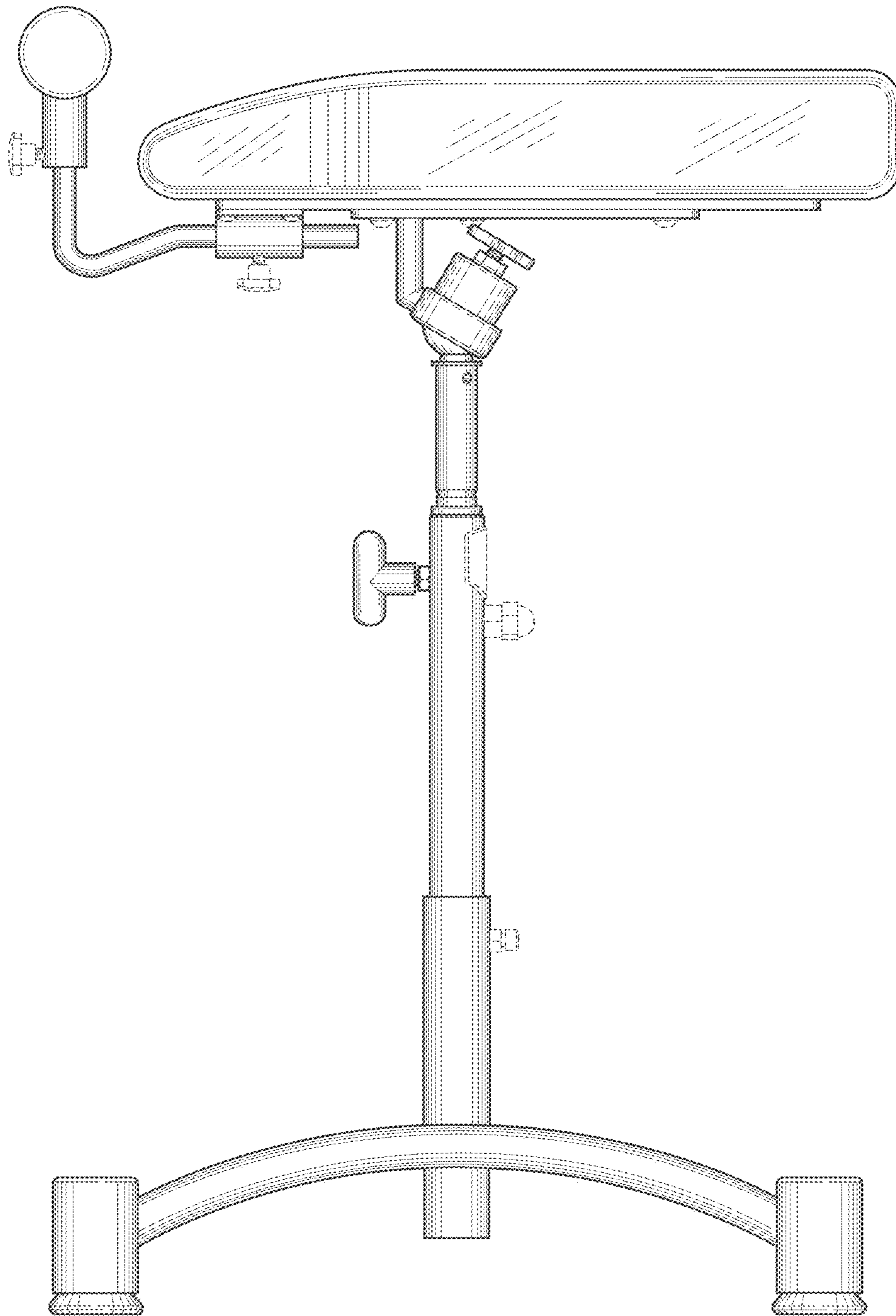


Fig. 6

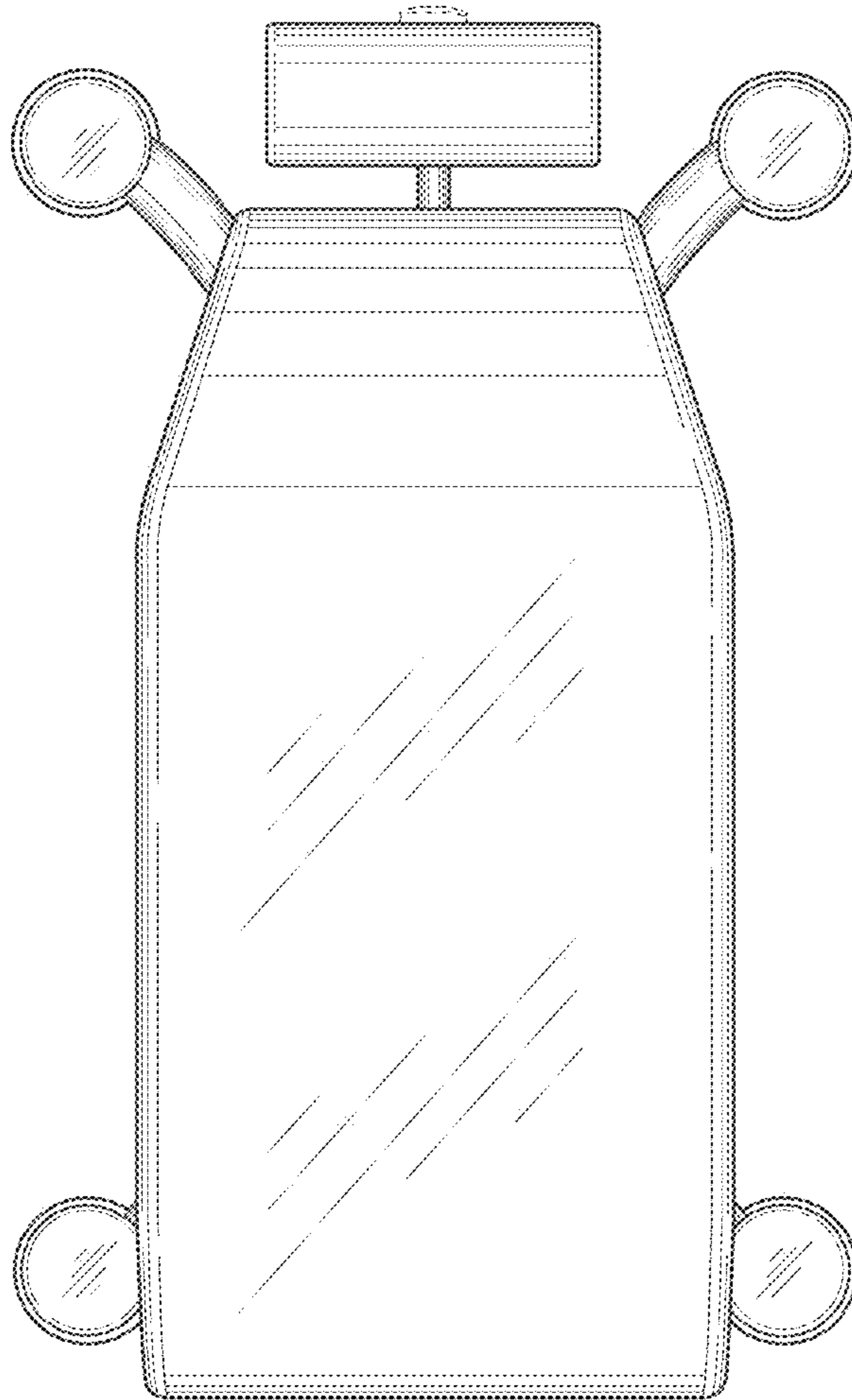


Fig. 7

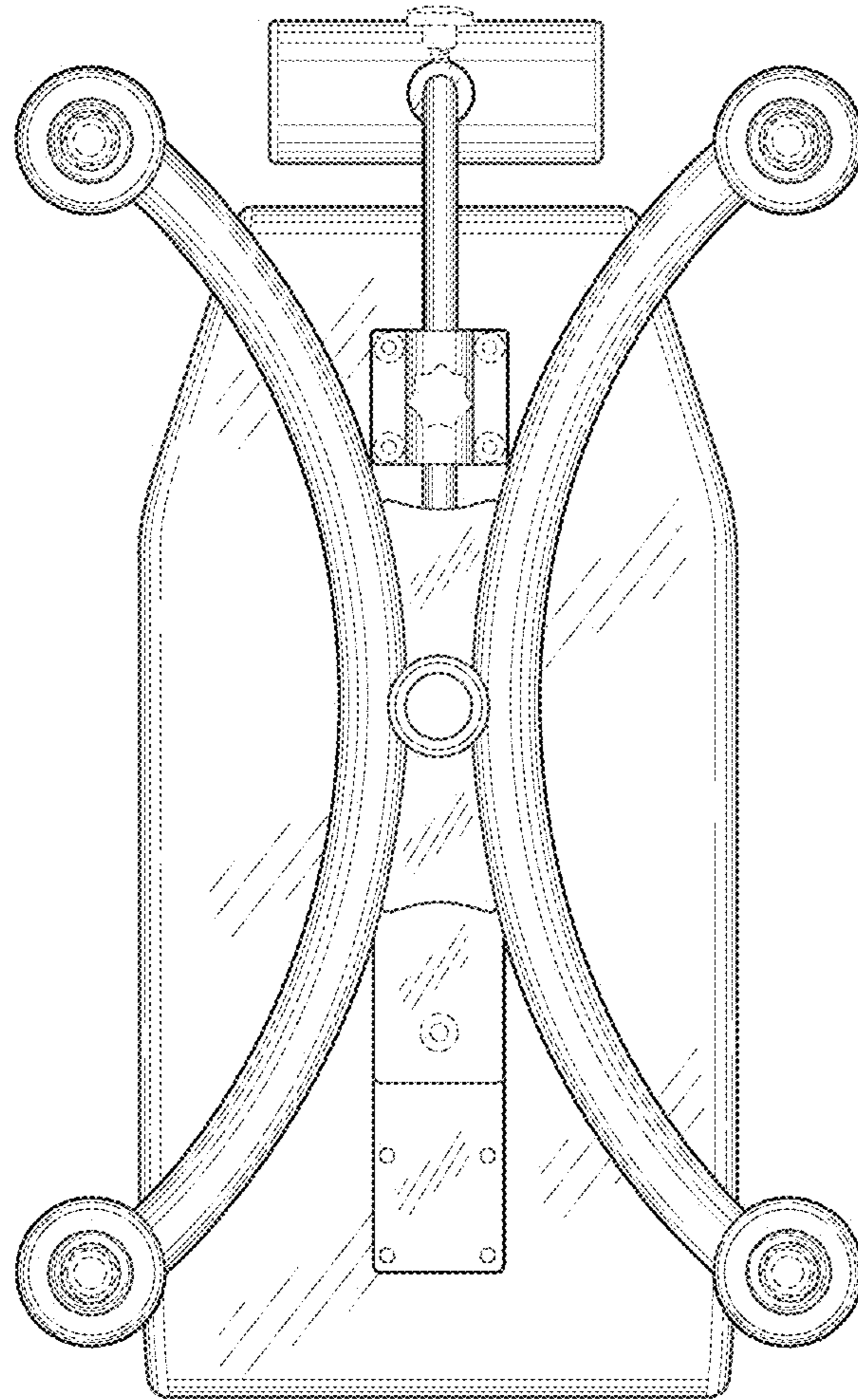


Fig. 8