



US00D984648S

(12) **United States Design Patent**  
**Baumann et al.**

(10) **Patent No.:** **US D984,648 S**

(45) **Date of Patent:** **\*\* Apr. 25, 2023**

(54) **DATA LOGGER**

(71) Applicant: **Midmark Corporation**, Versailles, OH (US)

(72) Inventors: **Steffen Baumann**, Dayton, OH (US);  
**David P. Hosey**, Minster, OH (US);  
**Douglas R. Hall**, Troy, OH (US);  
**Richard L. Turner**, Celina, OH (US);  
**Gary W. Benning**, Greenville, OH (US);  
**Matthew A. Tangeman**, New Bremen, OH (US)

(73) Assignee: **Midmark Corporation**, Versailles, OH (US)

(\*\*) Term: **15 Years**

(21) Appl. No.: **29/827,357**

(22) Filed: **Feb. 18, 2022**

**Related U.S. Application Data**

(62) Division of application No. 29/707,938, filed on Oct. 2, 2019, now Pat. No. Des. 952,893.

(51) **LOC (14) Cl.** ..... **24-02**

(52) **U.S. Cl.**  
USPC ..... **D24/177; D24/217**

(58) **Field of Classification Search**  
USPC ..... D24/176-177, 216-217, 221, 231-232  
CPC ..... A61L 2/28; A61L 2/26; A61L 2/24; A61L 2202/14; A61L 2202/122; G06F 16/2358  
See application file for complete search history.

(56) **References Cited**

**U.S. PATENT DOCUMENTS**

D433,147 S \* 10/2000 Florkey ..... D24/217  
6,984,359 B2 \* 1/2006 Florkey ..... A61L 2/24  
422/26  
D598,564 S 8/2009 Coyle et al.  
8,236,253 B2 8/2012 Coyle et al.

8,252,246 B2 8/2012 Coyle et al.  
D760,915 S \* 7/2016 Kagawa ..... D24/217  
D952,893 S 5/2022 Baumann et al.  
2002/0085945 A1 \* 7/2002 Florkey ..... A61L 2/26  
422/3  
2019/0294603 A1 9/2019 Pedersen  
2020/0100858 A1 \* 4/2020 Wang ..... A61L 2/26  
2021/0280305 A1 9/2021 Benning et al.  
2022/0051547 A1 \* 2/2022 Skinner ..... A61L 2/28

**OTHER PUBLICATIONS**

“Introducing the midmark sterilizer data logger”. Retrieved on Jan. 3, 2023. Retrieved from the Internet: <<https://www.midmark.com/dental/products/instrument-processing/steam-sterilizers/midmark-sterilizer-data-logger>>. Dated unavailable.\*

\* cited by examiner

*Primary Examiner* — Wan Laymon

(74) *Attorney, Agent, or Firm* — Frost Brown Todd LLP

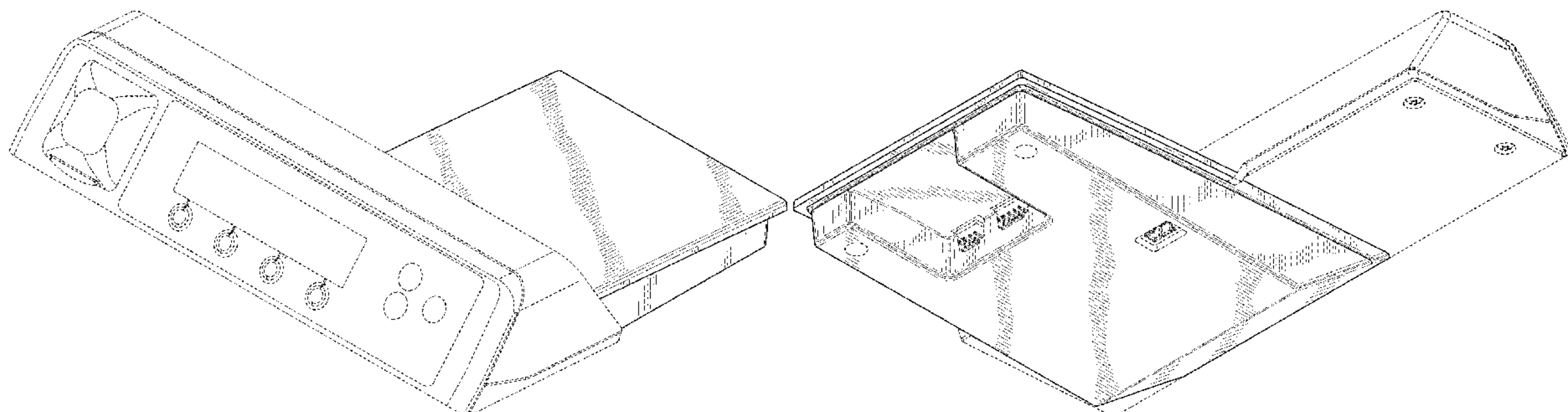
(57) **CLAIM**

The ornamental design for a data logger, as shown and described.

**DESCRIPTION**

FIG. 1 is a front top perspective view of a data logger showing our new design;  
FIG. 2 is a rear top perspective view thereof;  
FIG. 3 is a front bottom perspective view thereof;  
FIG. 4 is a rear bottom perspective view thereof;  
FIG. 5 is a top plan view thereof;  
FIG. 6 is a bottom plan view thereof;  
FIG. 7 is a left elevational view thereof;  
FIG. 8 is a right elevational view thereof;  
FIG. 9 is a front elevational view thereof; and,  
FIG. 10 is a rear elevational view thereof.  
The broken lines shown in the drawings depicting protrusions, recesses and other features illustrate environment that forms no part of the claimed design.

**1 Claim, 10 Drawing Sheets**



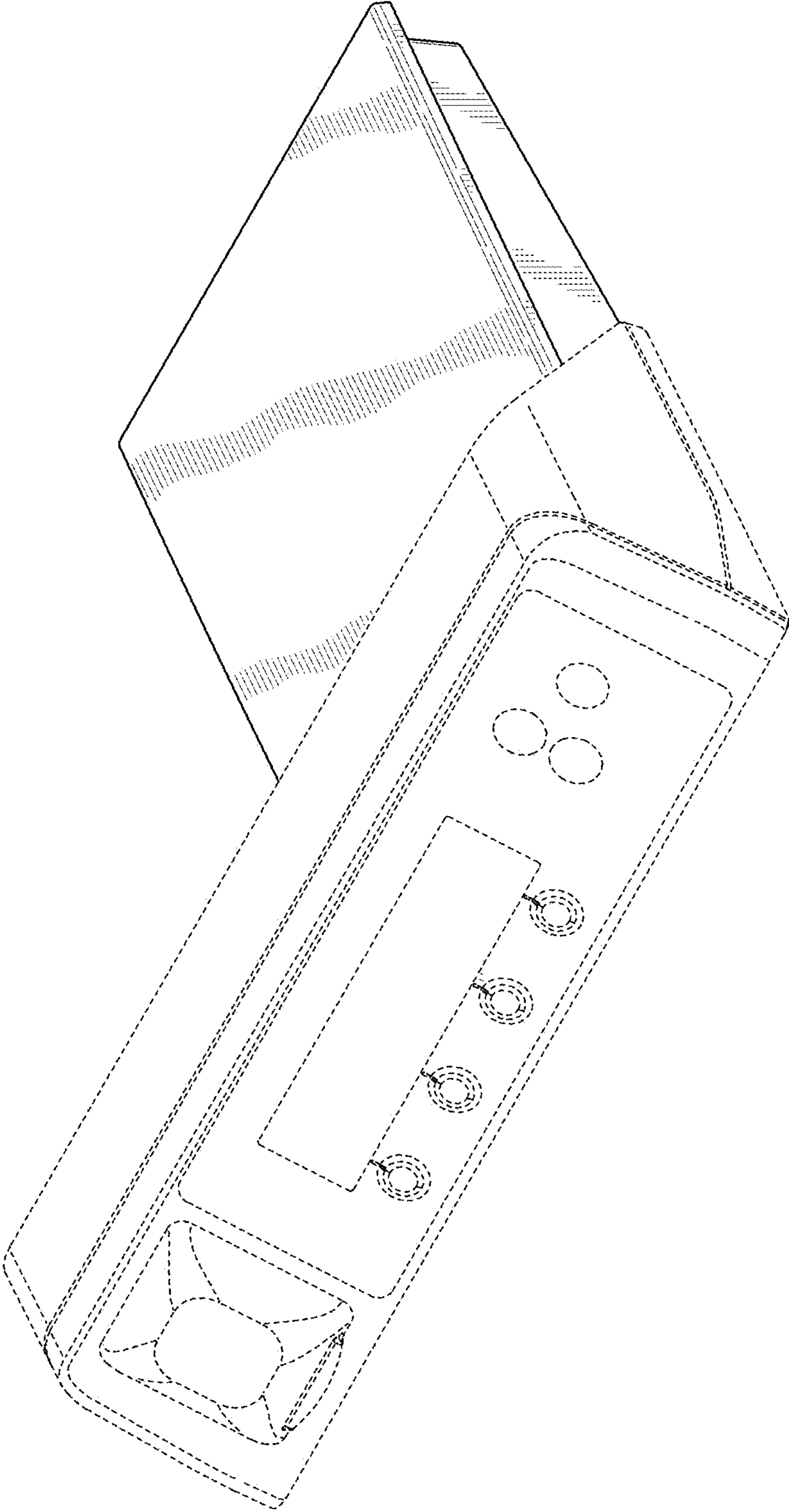


FIG. 1

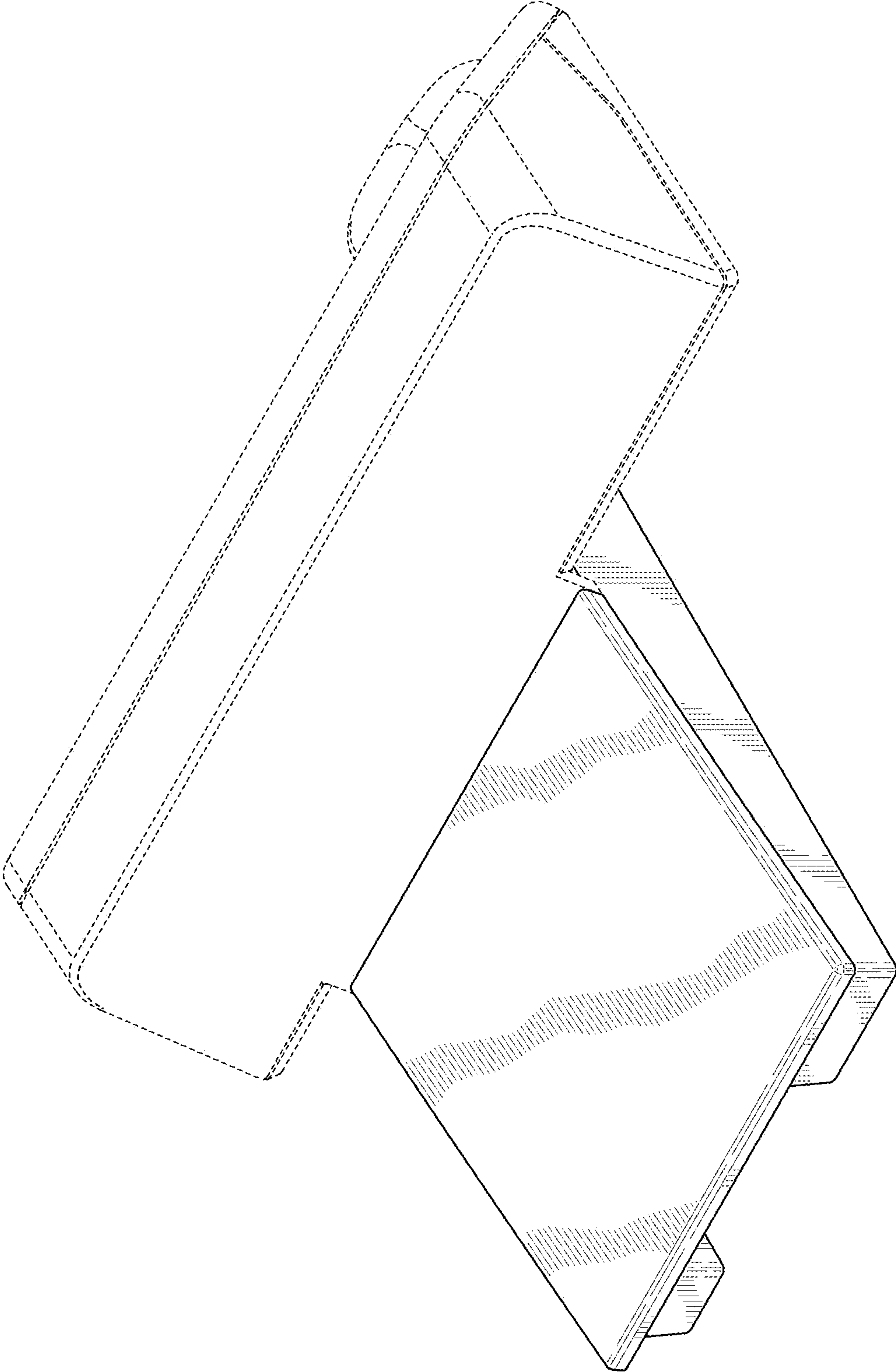


FIG. 2



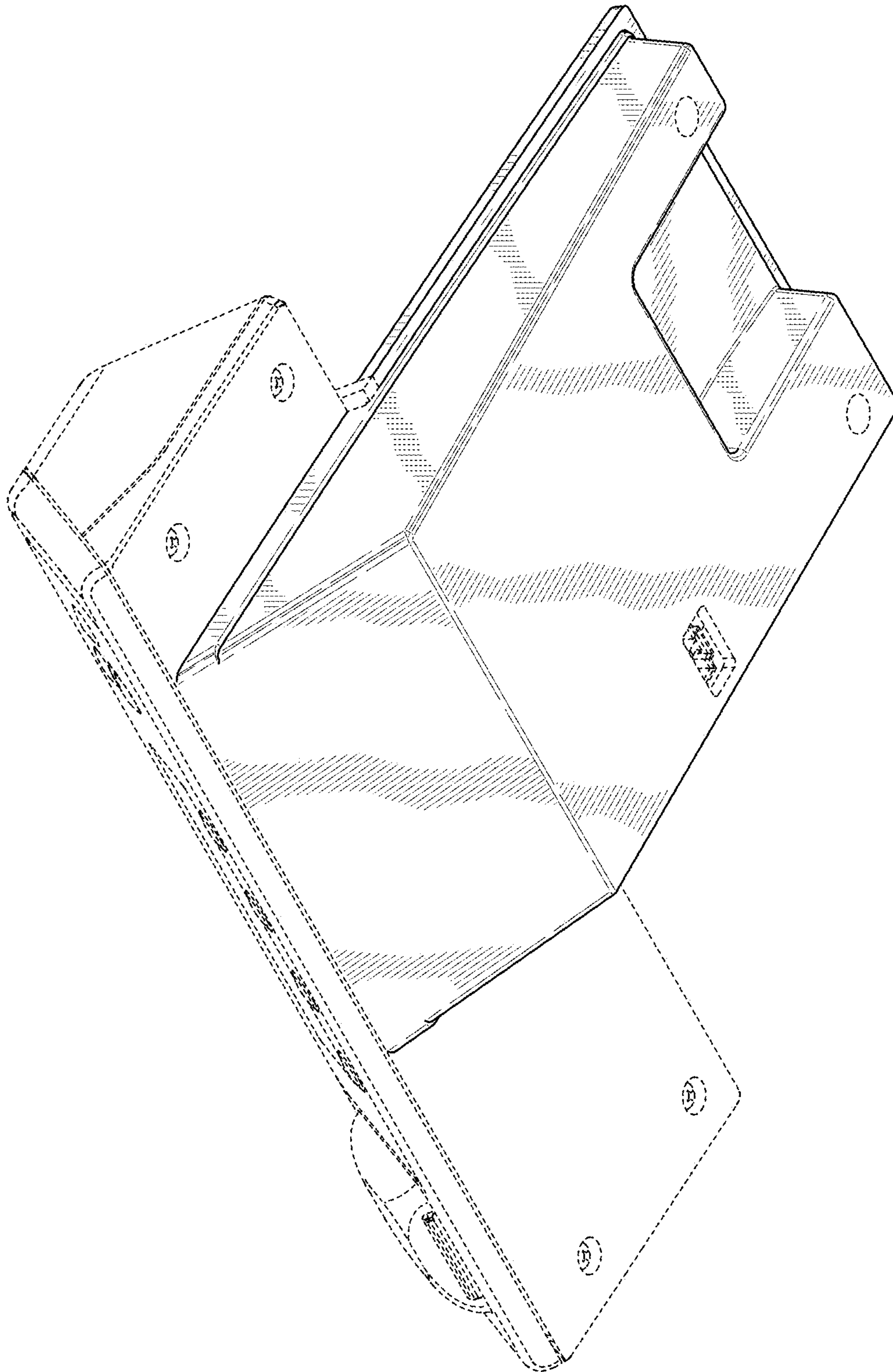


FIG. 3

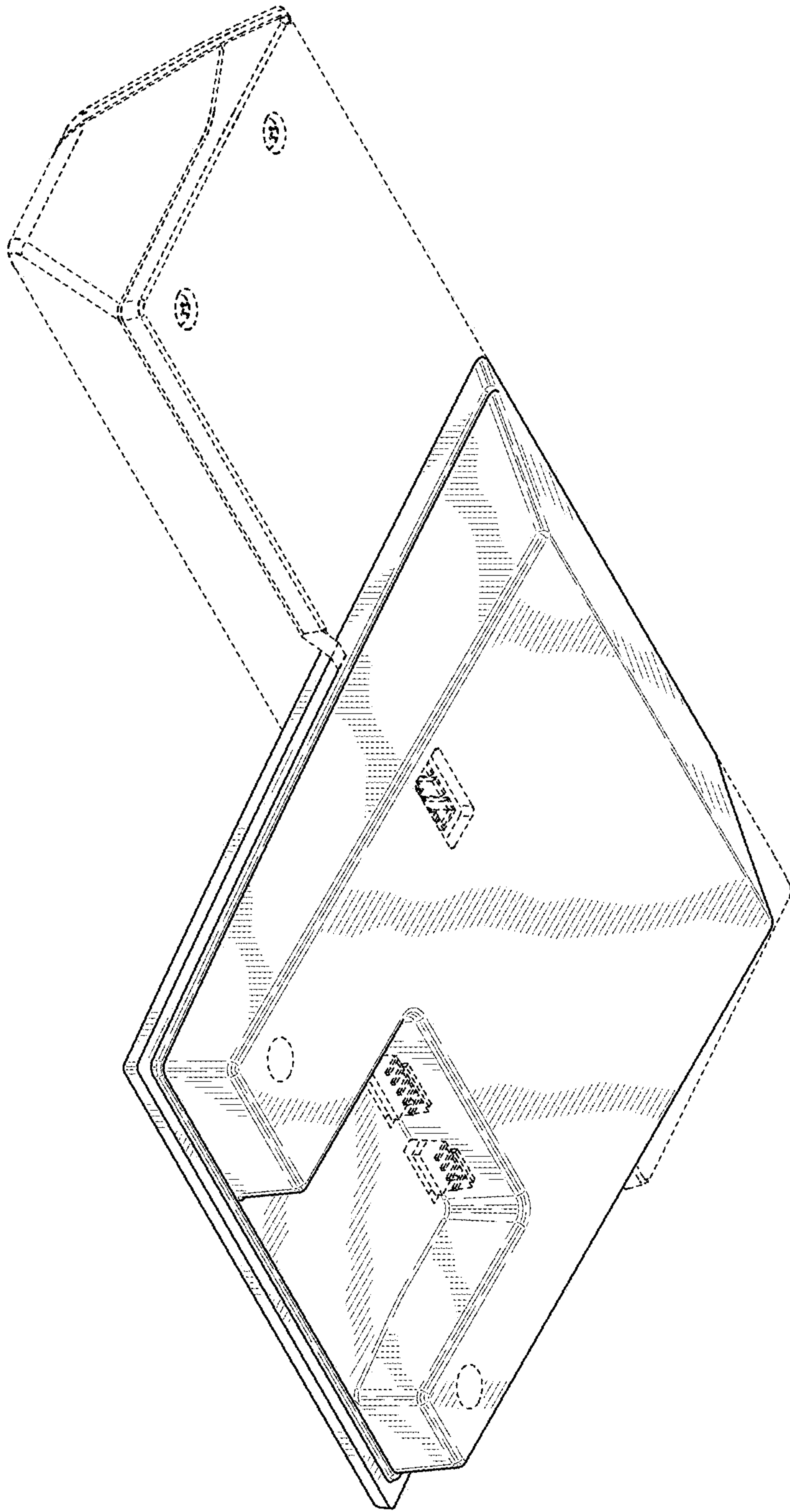
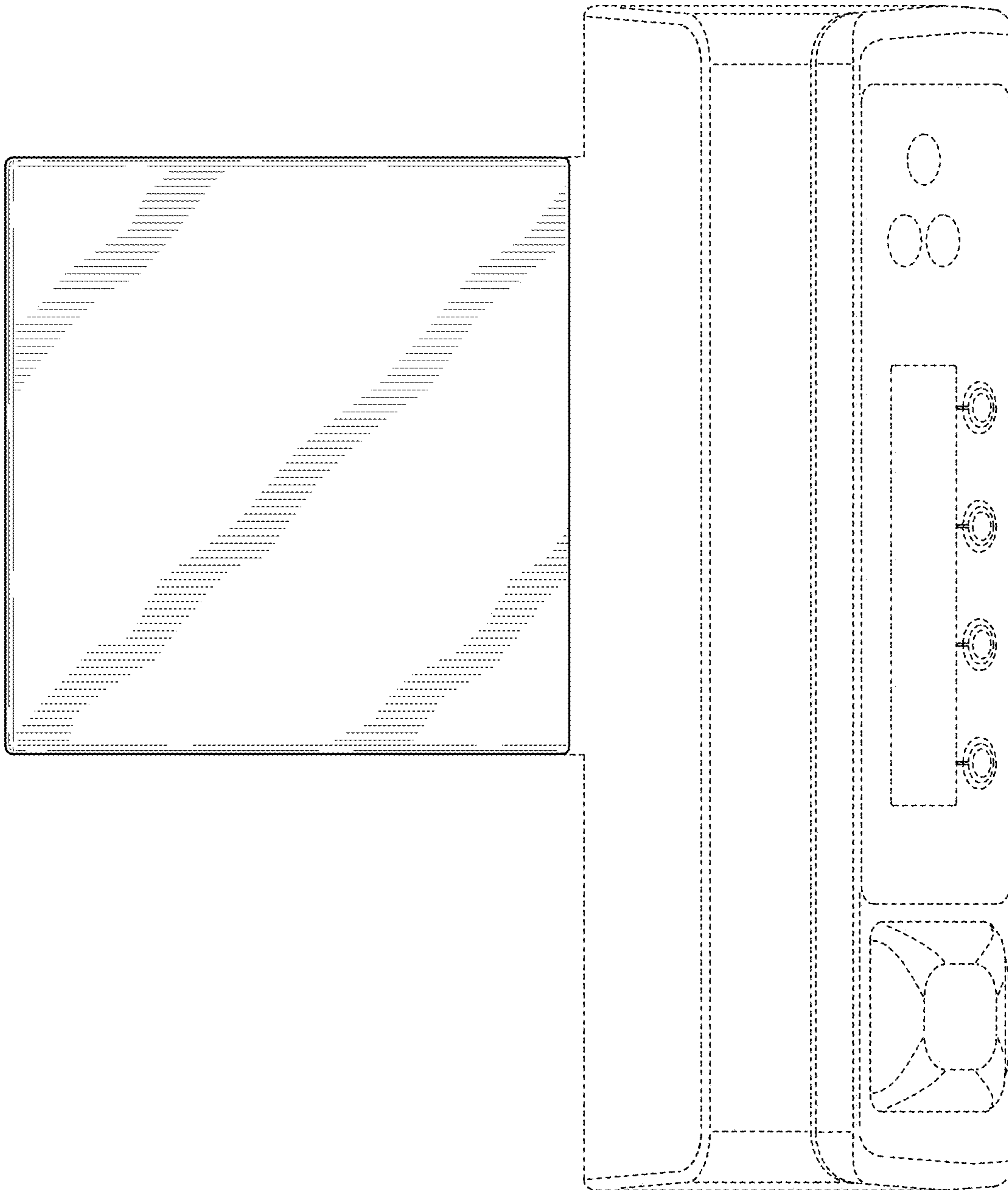


FIG. 4



**FIG. 5**

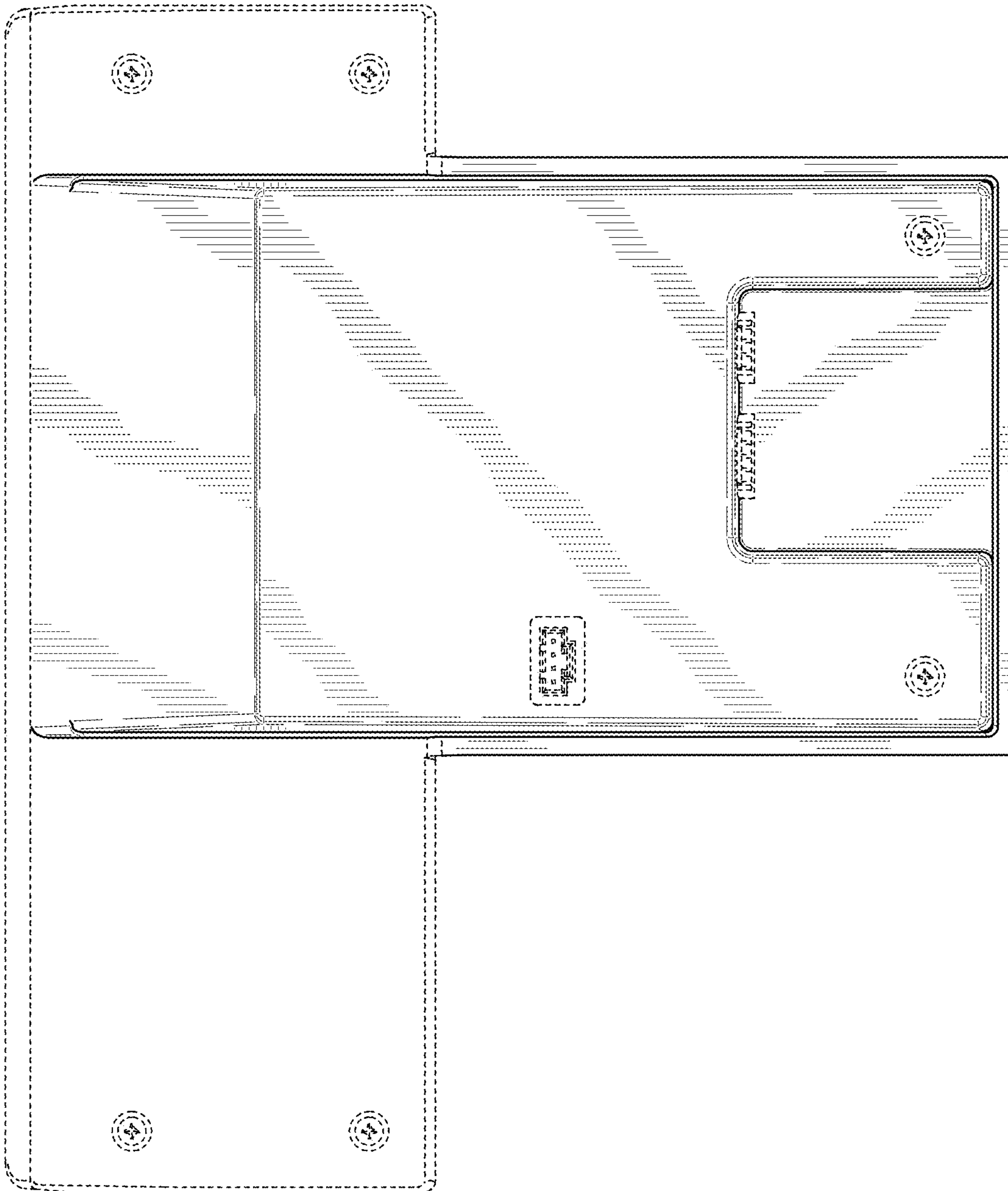
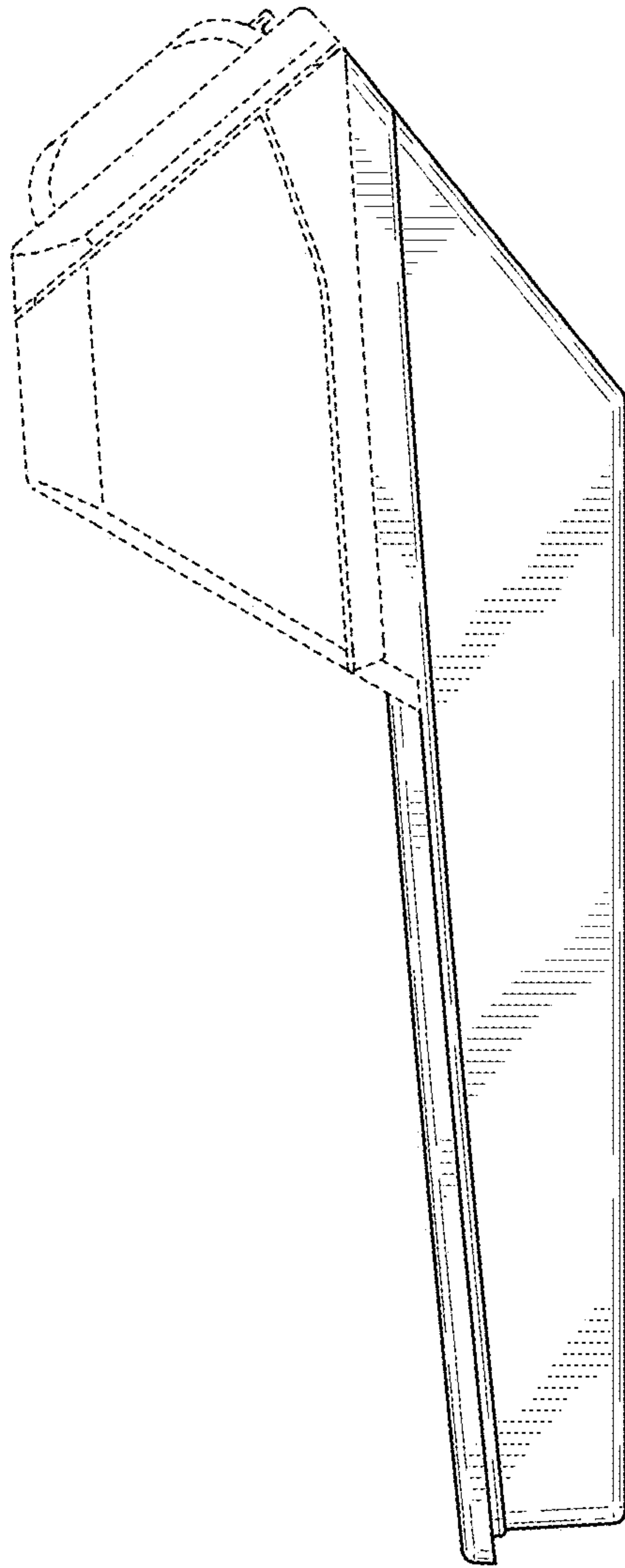


FIG. 6



**FIG. 7**



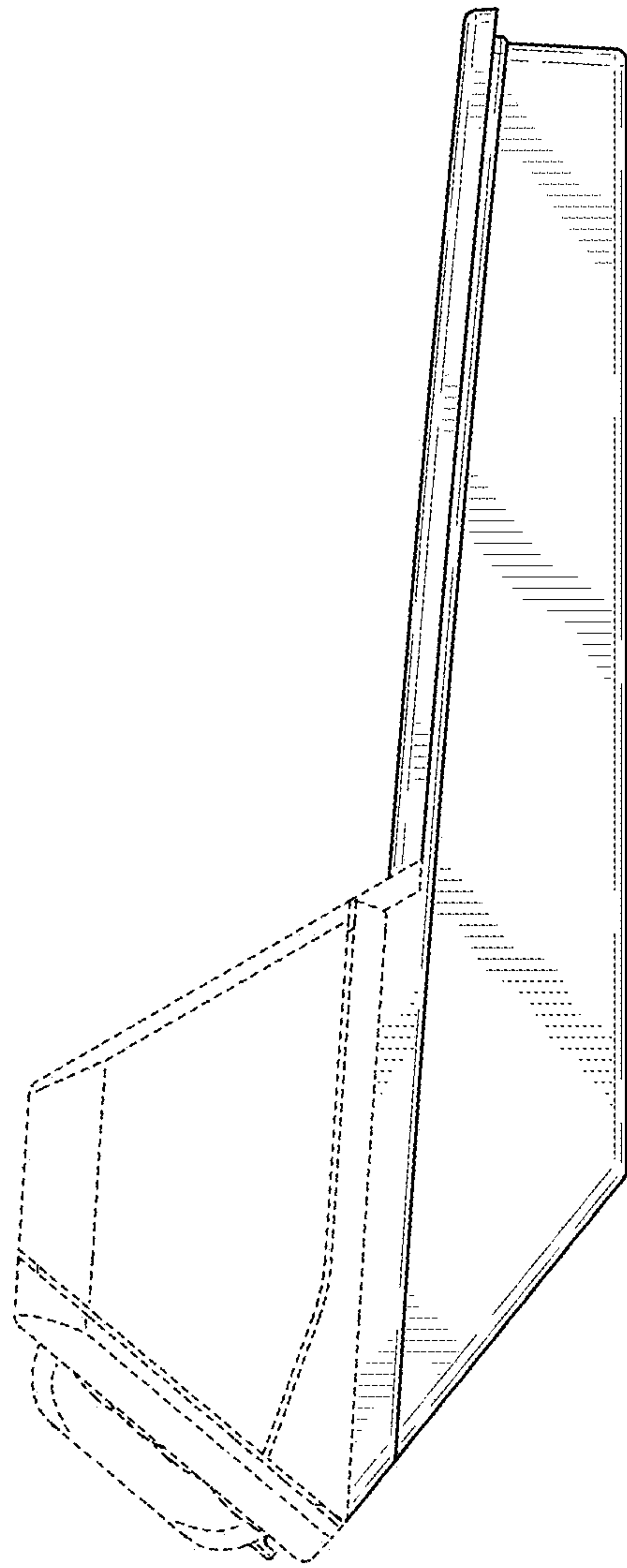


FIG. 8

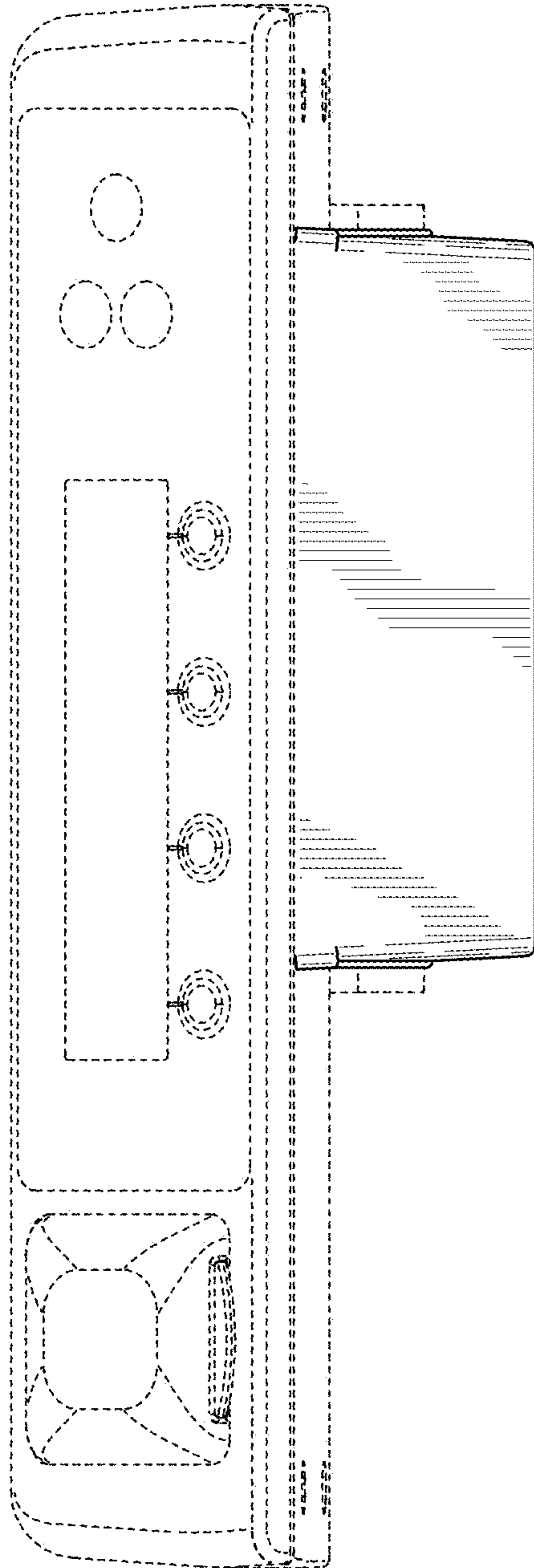


FIG. 9

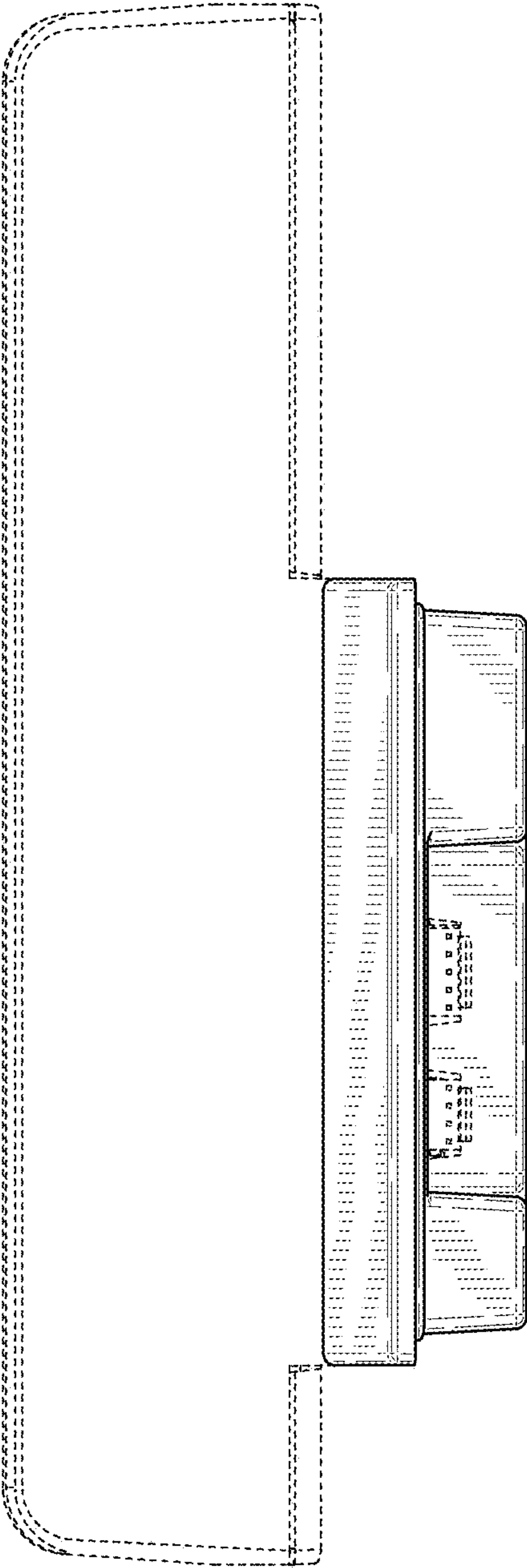


FIG. 10