



US00D984647S

(12) **United States Design Patent**
Garber

(10) **Patent No.:** **US D984,647 S**
(45) **Date of Patent:** **** Apr. 25, 2023**

(54) **HEARING AID**

FOREIGN PATENT DOCUMENTS

(71) Applicant: **Dylan Arthur Garber**, Scottsdale, AZ
(US)

GB 6146209 * 7/2021

(72) Inventor: **Dylan Arthur Garber**, Scottsdale, AZ
(US)

OTHER PUBLICATIONS

U.S. Appl. No. 29/783,506, D.A. Garber (Inventor), Audien LLC
(assignee).

(**) Term: **15 Years**

* cited by examiner

(21) Appl. No.: **29/796,072**

(22) Filed: **Jun. 22, 2021**

Primary Examiner — Anhdao Doan

(51) **LOC (14) Cl.** **24-99**

(74) *Attorney, Agent, or Firm* — Kenneth
Motolerich-Salas

(52) **U.S. Cl.**

USPC **D24/174**

(58) **Field of Classification Search**

USPC D24/173-175; D14/205, 223
CPC H04R 2225/021; H04R 2225/023; H04R
2225/025; H04R 25/604; A45F 5/004;
A45F 2205/0516; H01L 23/02; H01Q
7/00

(57) **CLAIM**

The ornamental design for a hearing aid, as shown and
described.

See application file for complete search history.

DESCRIPTION

FIG. 1 is a perspective view of a hearing aid;
FIG. 2 is a front view of a hearing aid;
FIG. 3 is a rear view of a hearing aid;
FIG. 4 is a left-side view of a hearing aid;
FIG. 5 is a right-side view of a hearing aid;
FIG. 6 is a top plan view of a hearing aid;
FIG. 7 is a bottom plan view of a hearing aid; and,
FIG. 8 is a perspective view of a hearing aid showing the
hearing aid in a state of use.

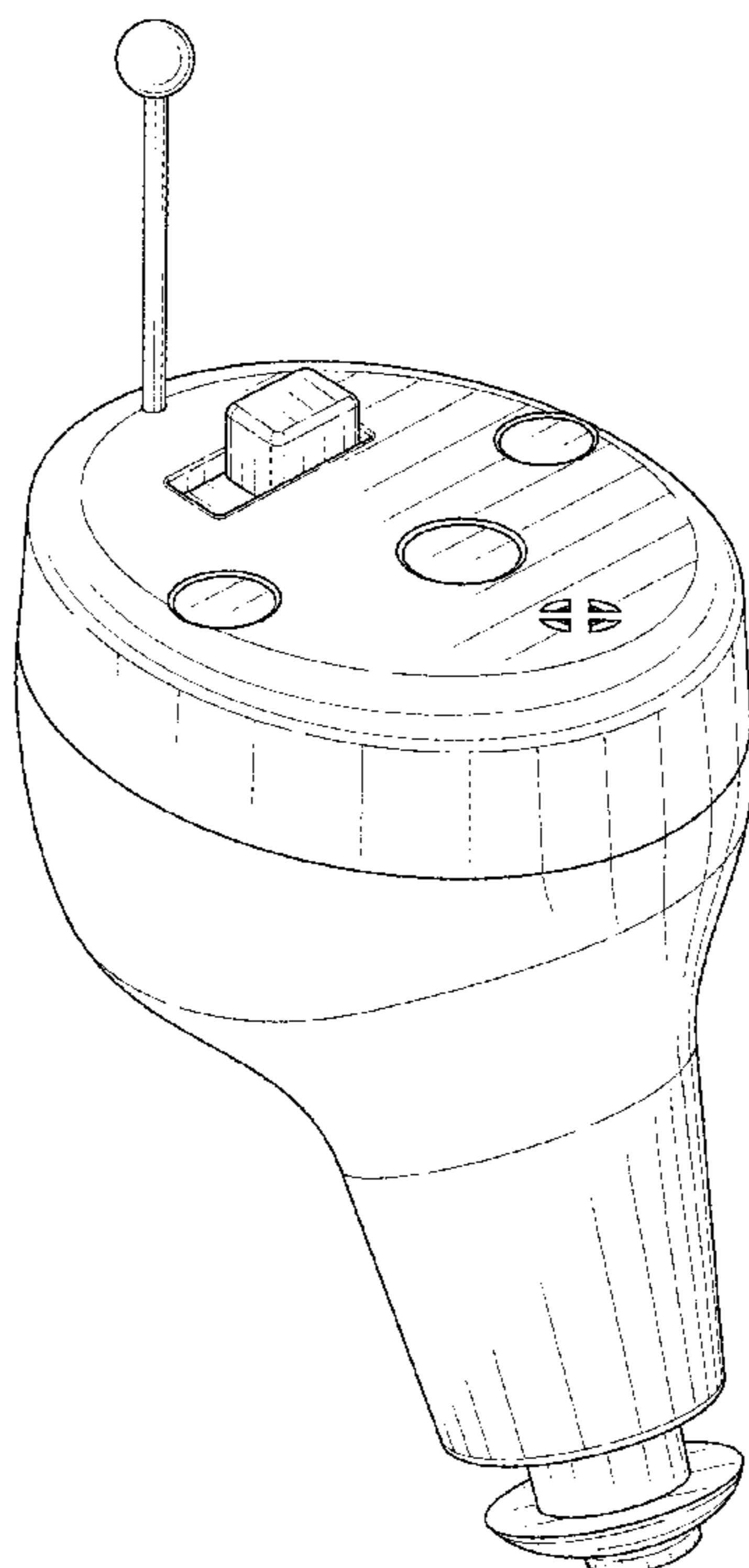
The broken lines in FIG. 8 are directed to environment and
are for illustrative purposes only; the broken lines form no
part of the claimed design.

(56) **References Cited**

U.S. PATENT DOCUMENTS

D611,606	S	*	3/2010	Vaterlaus	D24/174
10,904,673	B1	*	1/2021	Zhang	H04R 25/602
D928,124	S	*	8/2021	Liu	D14/223
D930,839	S	*	9/2021	Zhang	D24/174
D952,861	S	*	5/2022	Xia	D24/174
11,350,227	B2	*	5/2022	Stewart	H04R 25/656
11,405,709	B1	*	8/2022	Zhang	H04R 25/604
D968,368	S	*	11/2022	Li	D14/223
2004/0086142	A1	*	5/2004	Morales	H04R 25/602 381/322

1 Claim, 7 Drawing Sheets



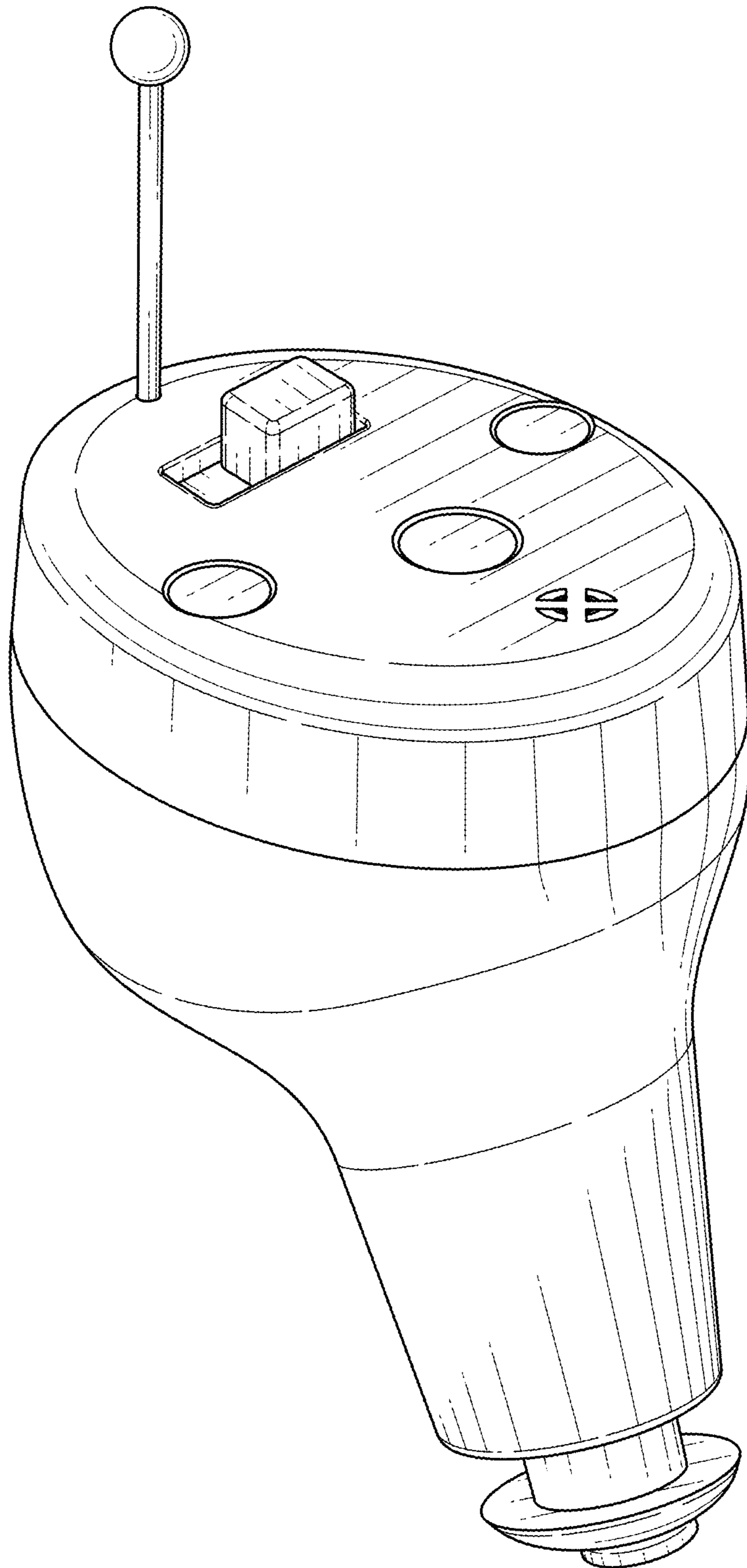


FIG. 1

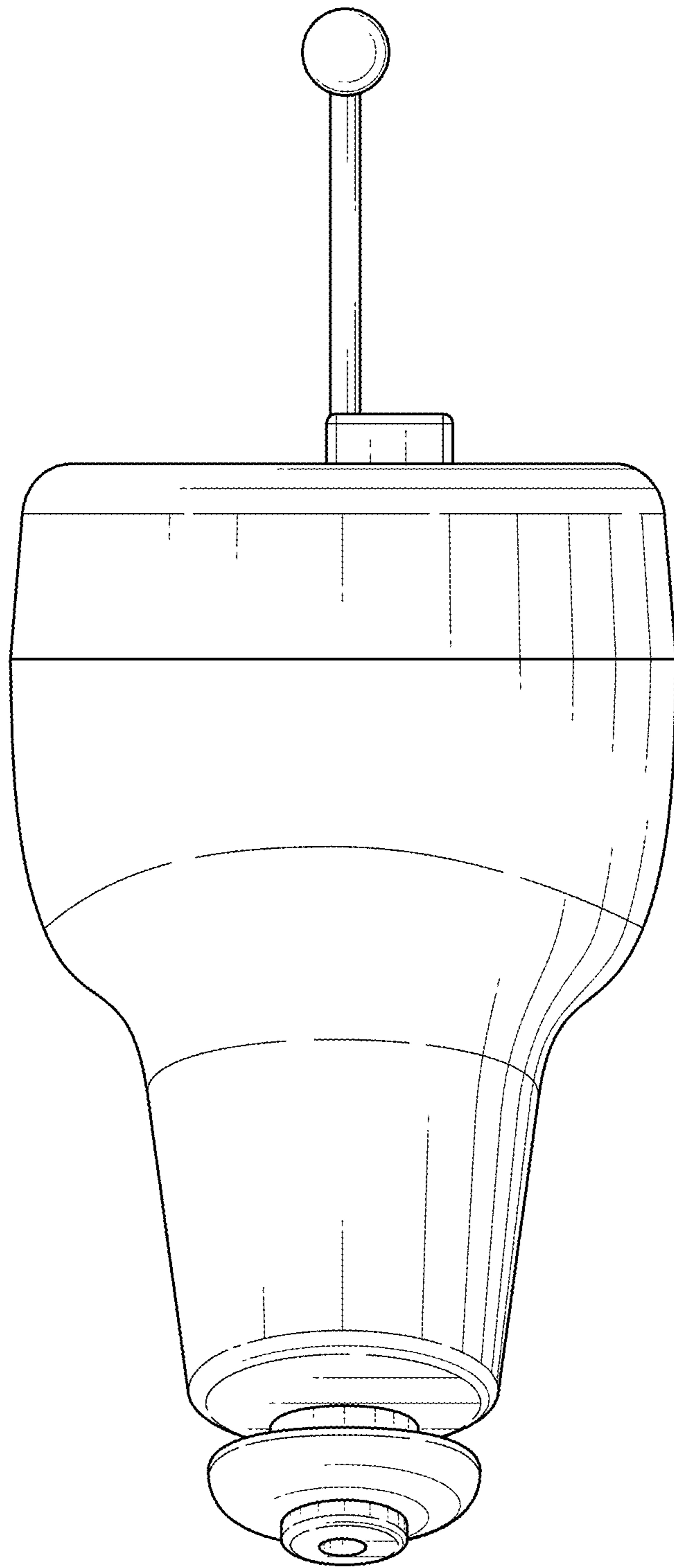


FIG. 2

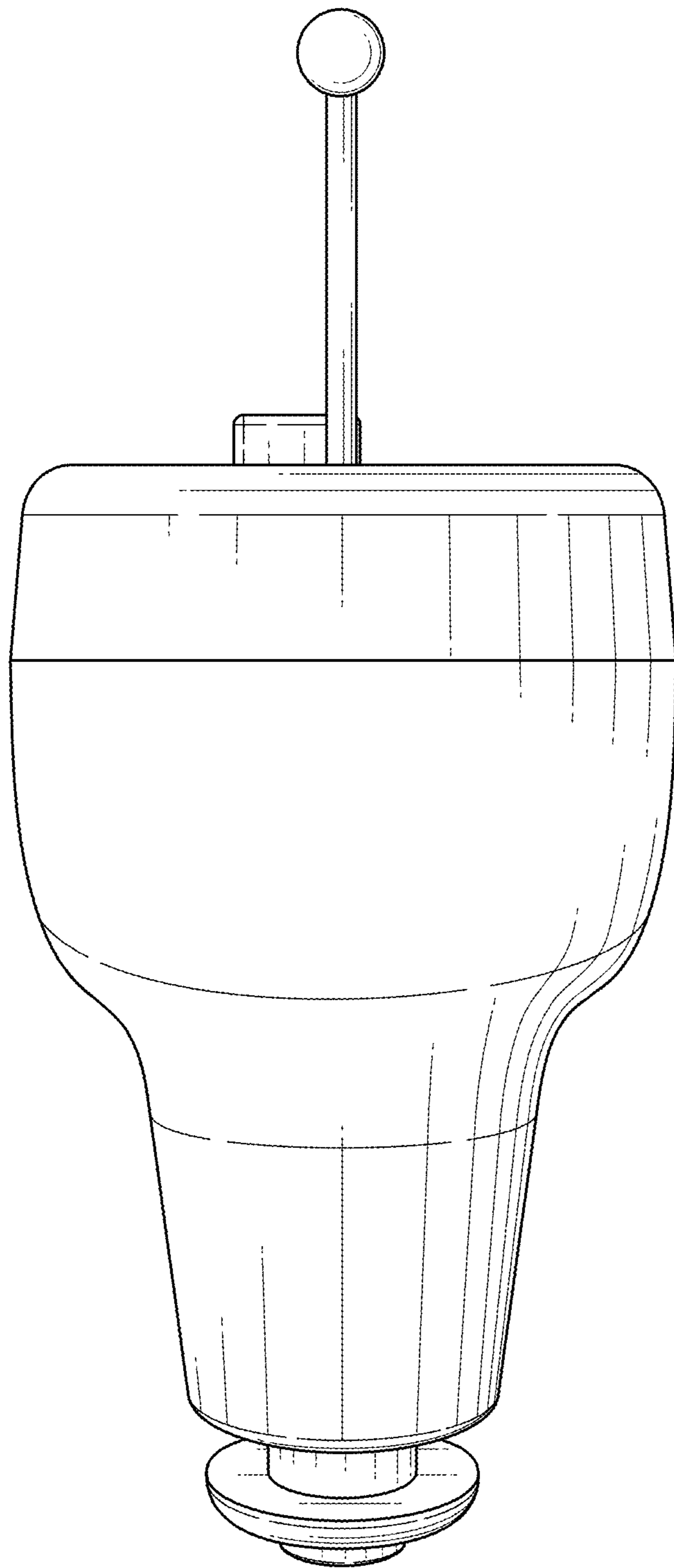


FIG. 3

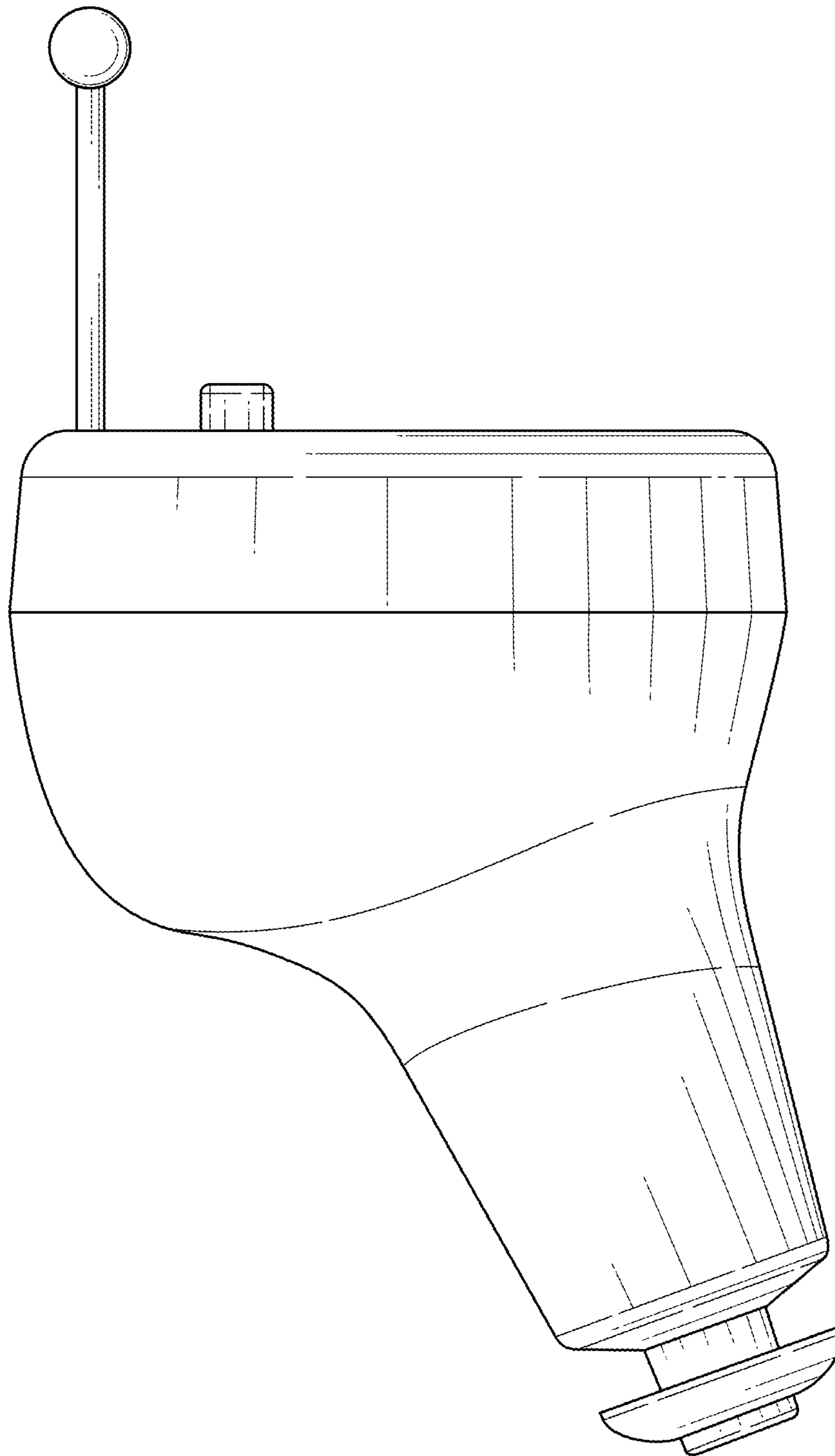


FIG. 4

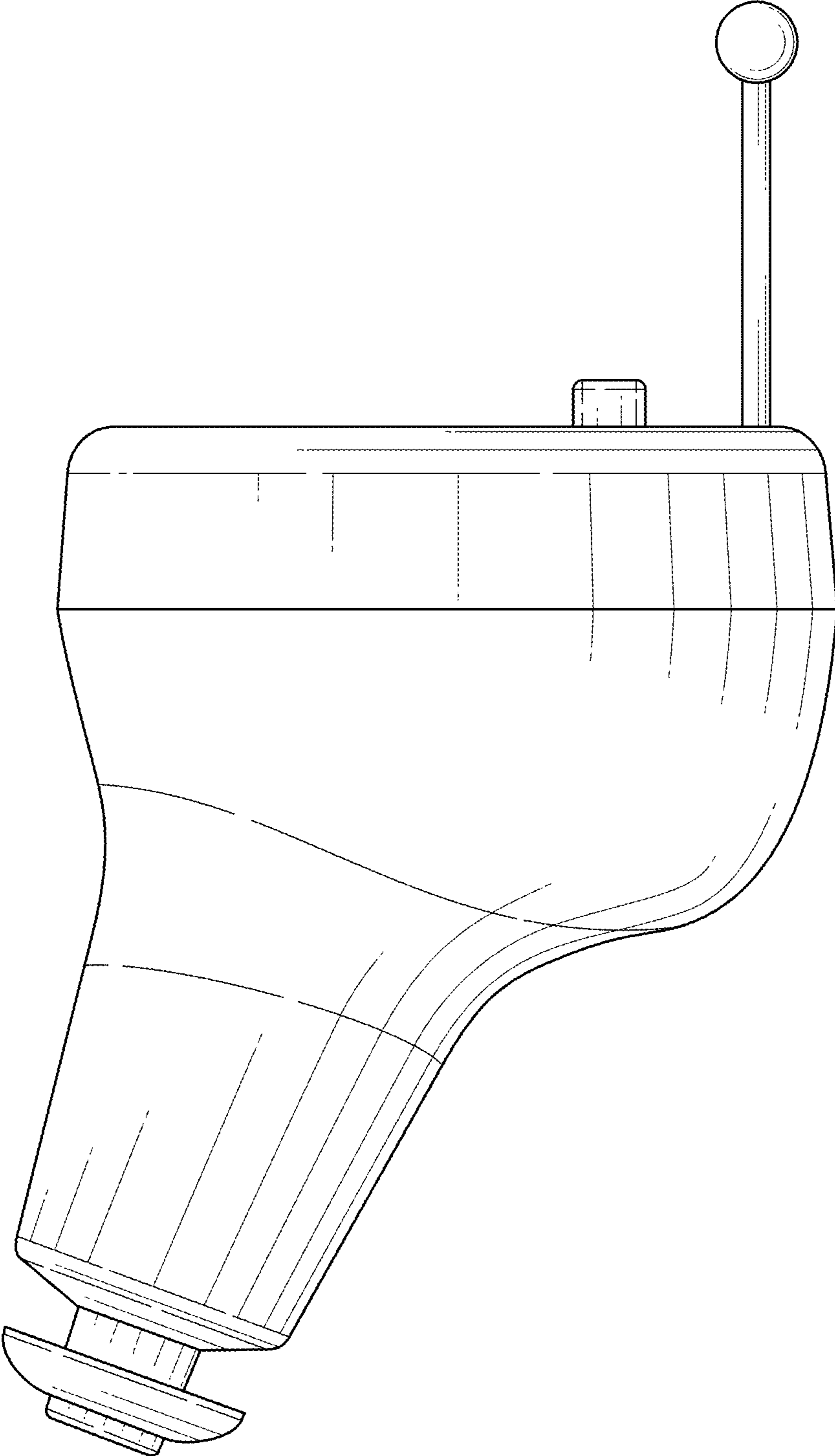


FIG. 5

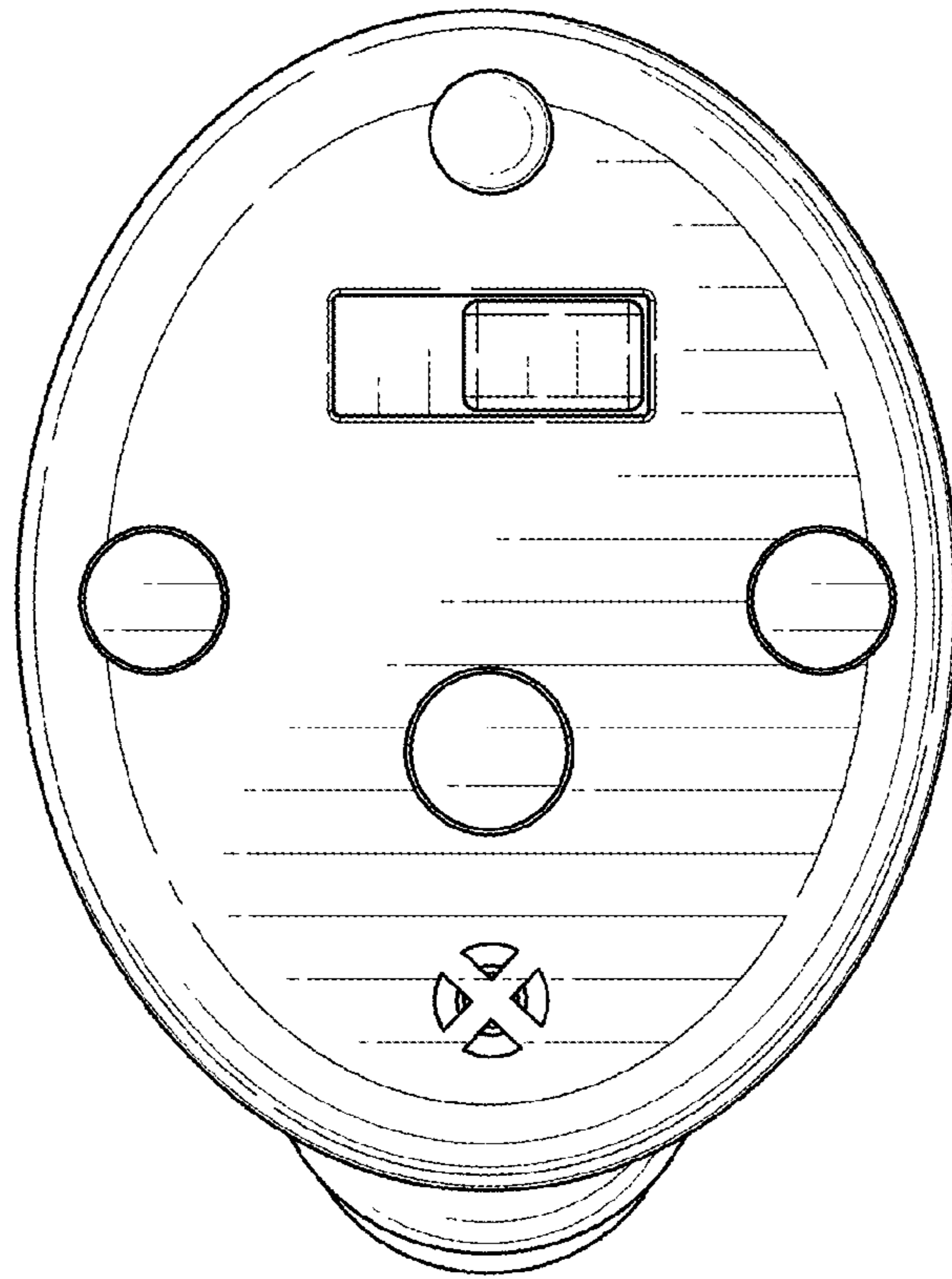


FIG. 6

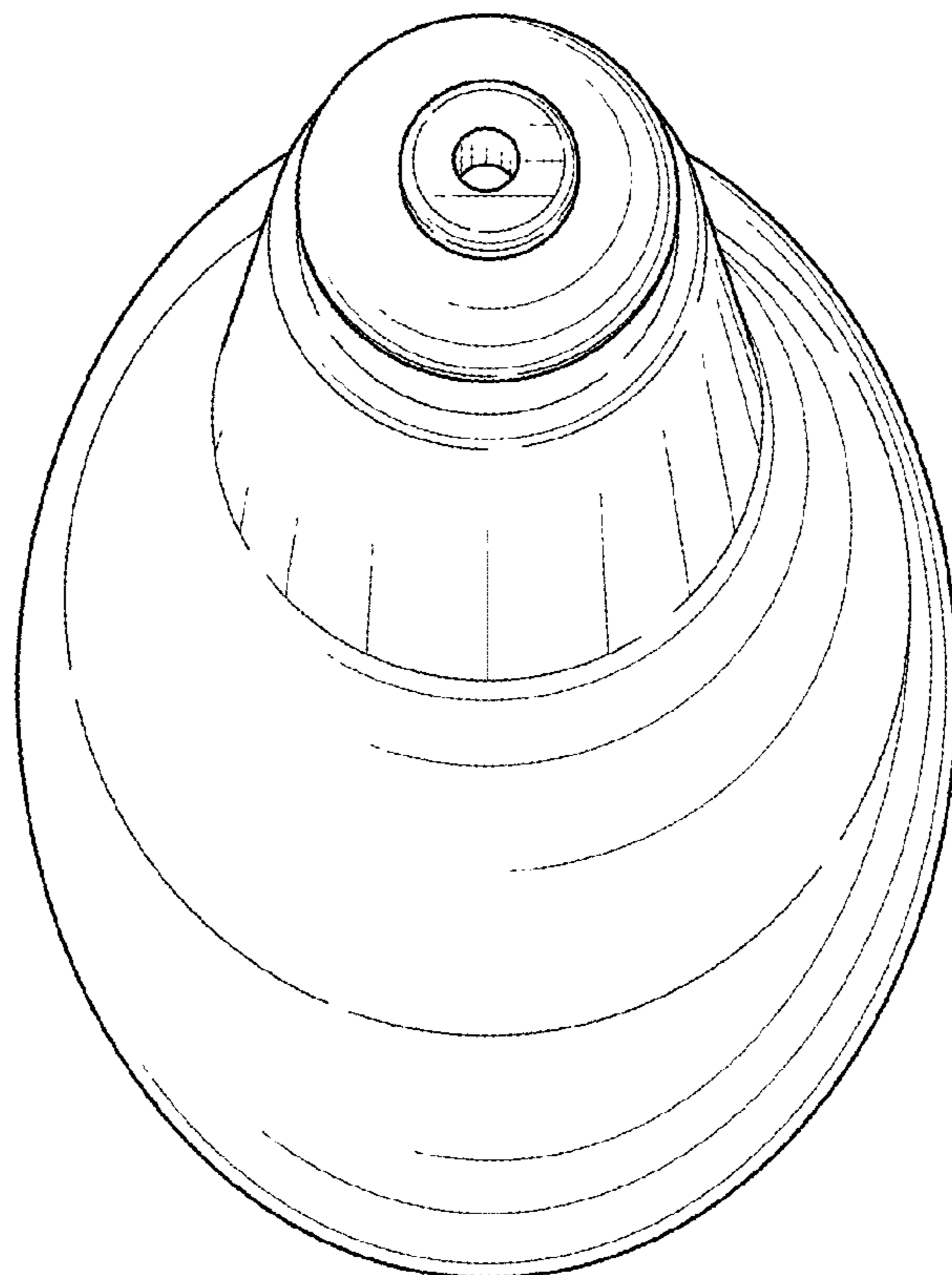


FIG. 7

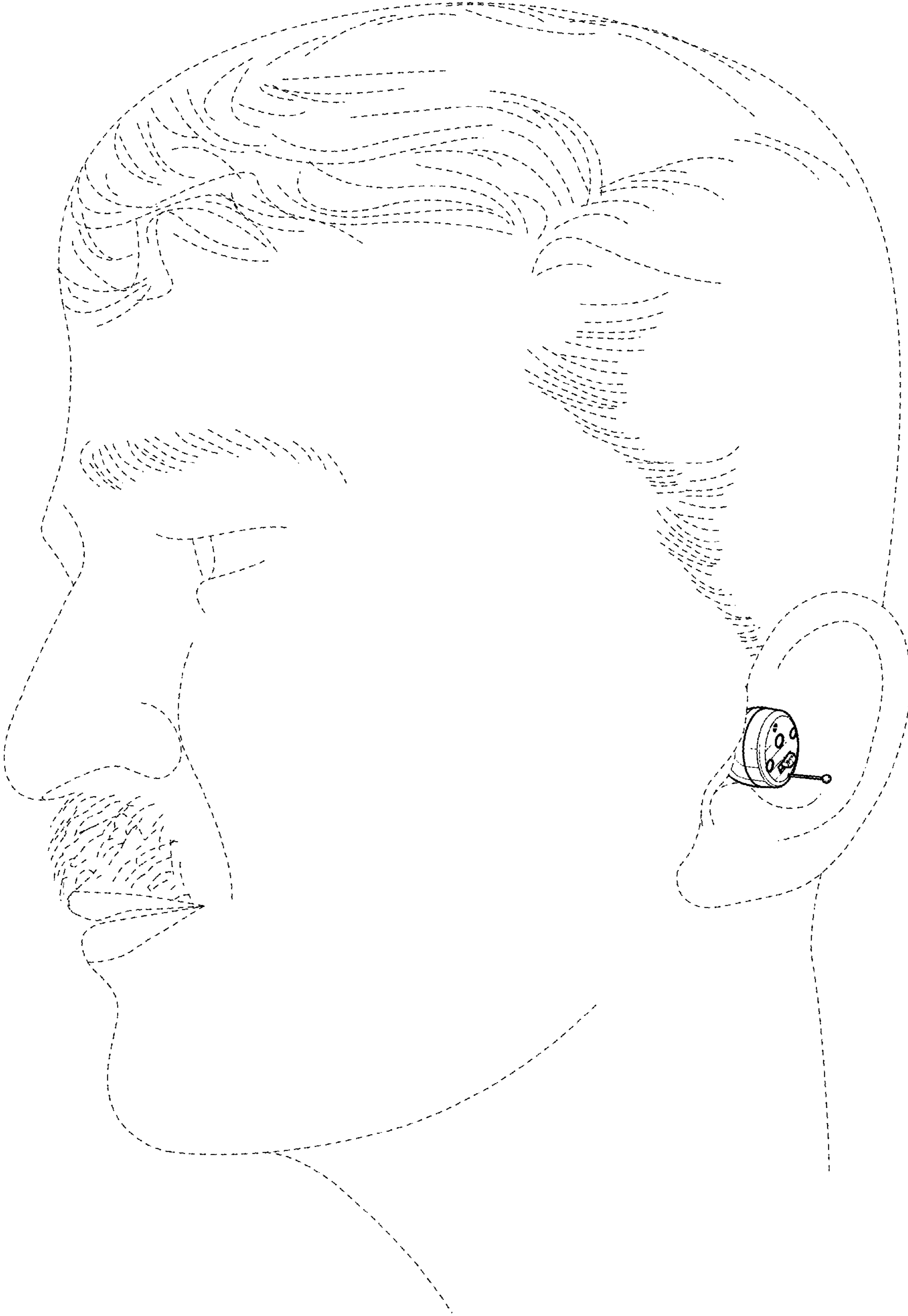


FIG. 8