



US00D984645S

(12) **United States Design Patent**
Bobacka et al.

(10) **Patent No.:** **US D984,645 S**
(45) **Date of Patent:** **** Apr. 25, 2023**

- (54) **BIOMETRIC SENSOR**
- (71) Applicant: **GlucModicum Oy**, Helsinki (FI)
- (72) Inventors: **Johan Bobacka**, Turku (FI); **Alejandro Garcia Pérez**, Helsinki (FI); **Jokke Juhana Mäki**, Helsinki (FI); **Zhanna Boeva**, Turku (FI); **Emily Kemp**, Helsinki (FI)
- (73) Assignee: **GlucModicum Oy**, Helsinki (FI)
- (**) Term: **15 Years**
- (21) Appl. No.: **29/746,325**
- (22) Filed: **Aug. 13, 2020**
- (30) **Foreign Application Priority Data**

Feb. 14, 2020 (EM) 007693056-0001

- (51) **LOC (14) Cl.** **24-02**
- (52) **U.S. Cl.**
USPC **D24/169**; D10/81
- (58) **Field of Classification Search**
USPC D10/46, 71, 77, 98, 103, 104.1, 121, 81;
D24/169, 183, 187, 225, 186
CPC . A61B 5/14532; A61B 5/0205; A61B 5/1118;
A61B 5/02438; A61B 5/02427; A61B
5/01; A61B 5/6802; A61B 5/0002; A61B
5/486; A61B 5/6824; A61B 2562/0271;
A61B 2562/227; A61B 5/332; A61B
5/026; A61B 5/4866; A61B 5/6832
See application file for complete search history.

(56) **References Cited**

U.S. PATENT DOCUMENTS

- 4,825,879 A * 5/1989 Tan A61B 5/02427
600/490
- D344,289 S * 2/1994 Roberts D10/103

- RE36,000 E * 12/1998 Swedlow A61B 5/02427
356/41
- D409,935 S * 5/1999 Speckhart D10/104.1
- D456,083 S * 4/2002 Clark D24/225
- D584,414 S * 1/2009 Lash D24/187
- D615,660 S * 5/2010 Anderson D24/187
- D655,423 S * 3/2012 Nielsen D24/225
- D686,340 S * 7/2013 Smith D24/225
- D719,860 S * 12/2014 Just D10/77
- D729,402 S * 5/2015 Togawa D24/225
- D733,598 S * 7/2015 Just D10/77
- D738,248 S * 9/2015 Nagel D10/121
- D752,764 S * 3/2016 Peters D24/187
- D792,791 S * 7/2017 Sergyeyenko D10/70
- D815,289 S * 4/2018 Evers D24/169
- D842,996 S * 3/2019 Frick D24/169
- D863,561 S * 10/2019 McCalmont D24/187
- D873,689 S * 1/2020 Olson D10/103
- D916,609 S * 4/2021 Nakashima D10/103
- D920,137 S * 5/2021 Ellis D10/46
- D927,698 S * 8/2021 Rodzewicz D24/183
- D939,981 S * 1/2022 Aver D10/71

(Continued)

Primary Examiner — George D. Kirschbaum

Assistant Examiner — Lillian Windham

(74) *Attorney, Agent, or Firm* — WRB-IP LLP

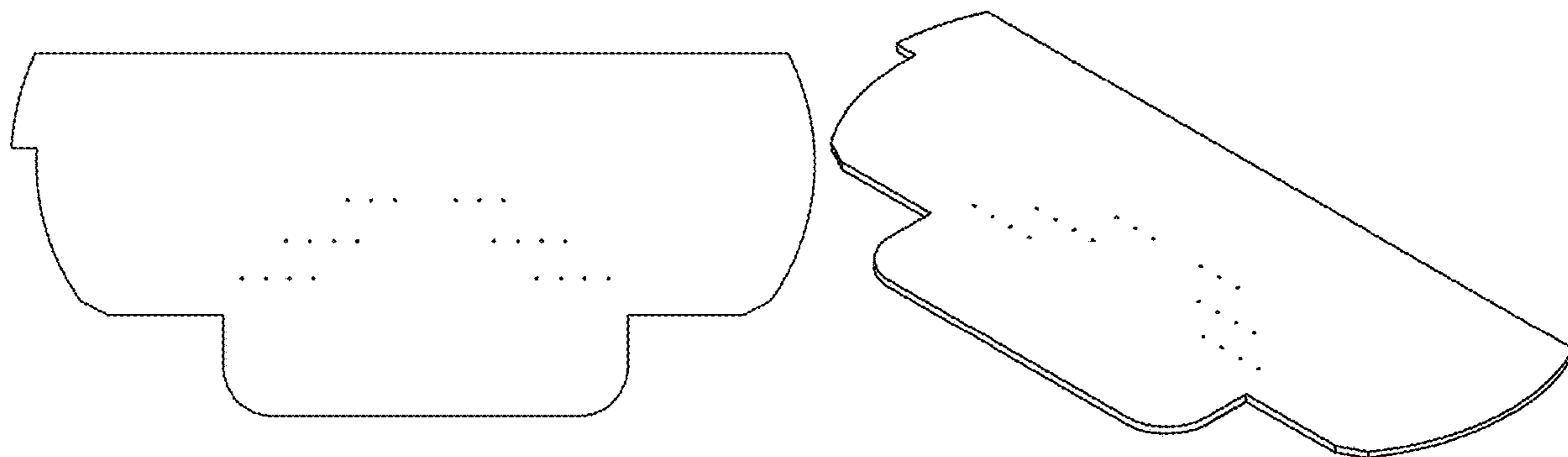
(57) **CLAIM**

The ornamental design for a biometric sensor, as shown and described.

DESCRIPTION

FIG. 1 is a bottom view of the biometric sensor;
FIG. 2 is a bottom perspective view of the biometric sensor;
FIG. 3 is a left side view of the biometric sensor;
FIG. 4 is a right side view of the biometric sensor;
FIG. 5 is a top view of the biometric sensor;
FIG. 6 is an upper side of the biometric sensor; and,
FIG. 7 is a lower side of the biometric sensor.

1 Claim, 3 Drawing Sheets



(56)

References Cited

U.S. PATENT DOCUMENTS

D939,982 S * 1/2022 Aver D10/71
D939,983 S * 1/2022 Aver D10/71

* cited by examiner

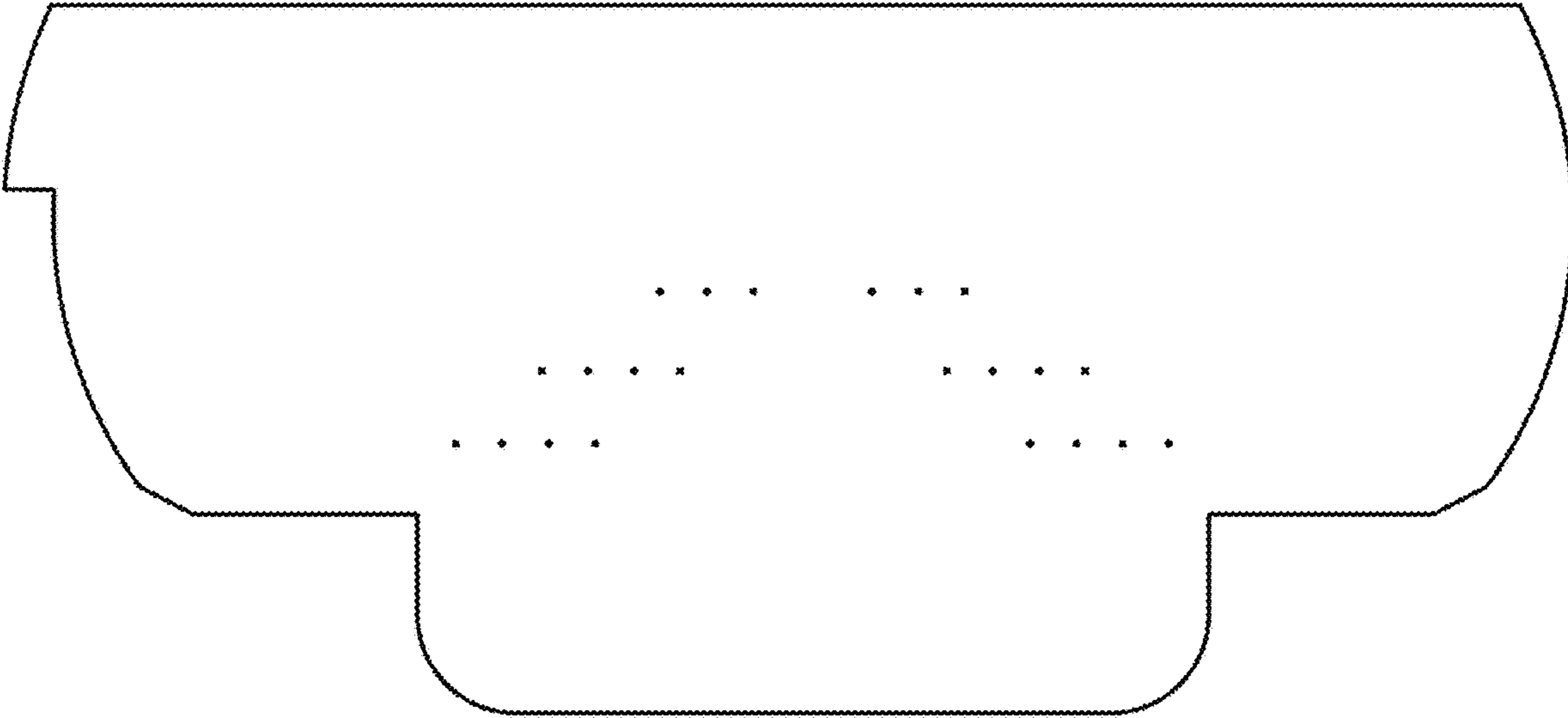


FIG. 1

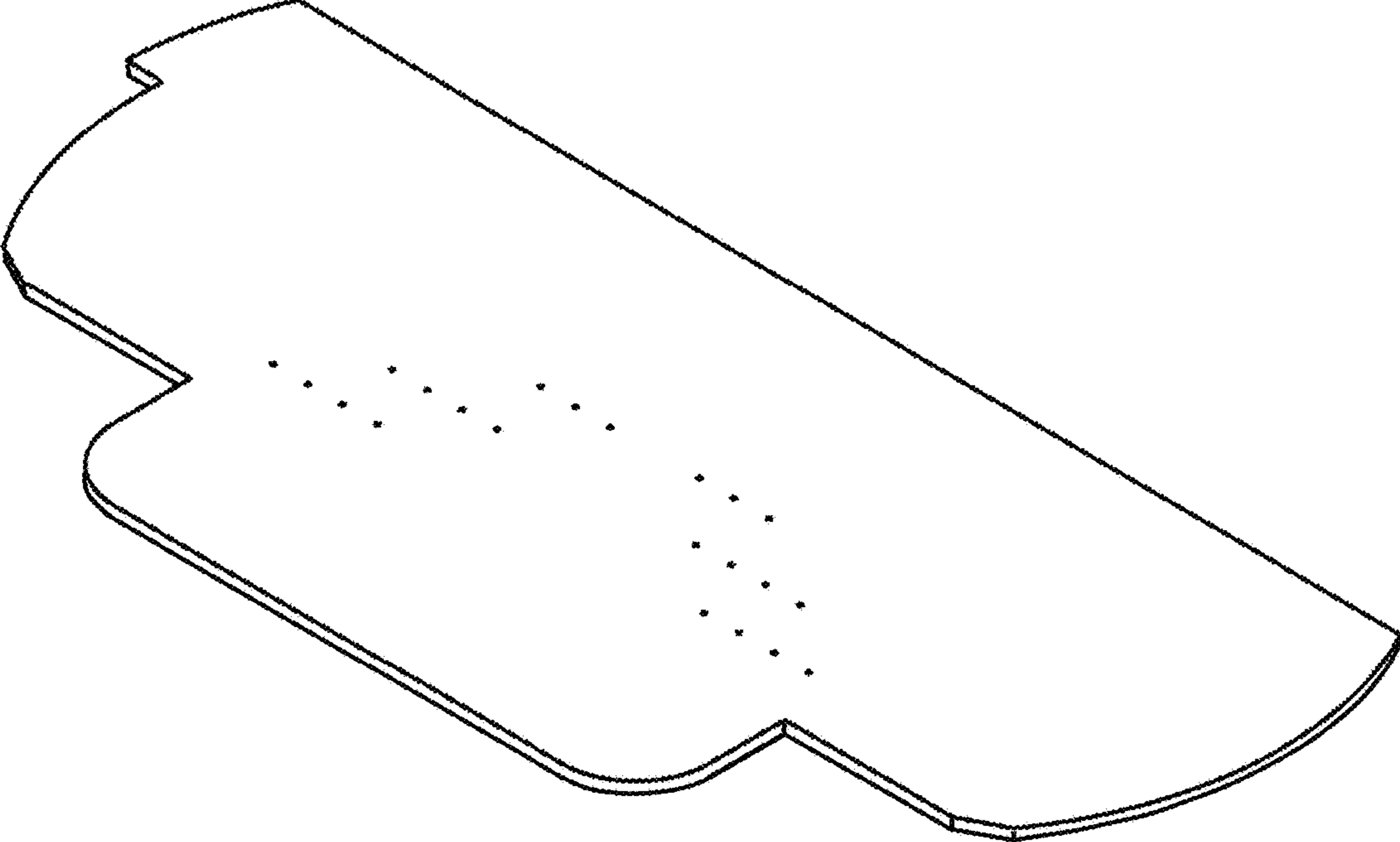


FIG. 2



FIG. 3



FIG. 4

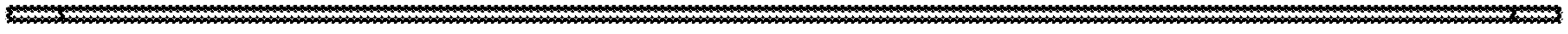


FIG. 6

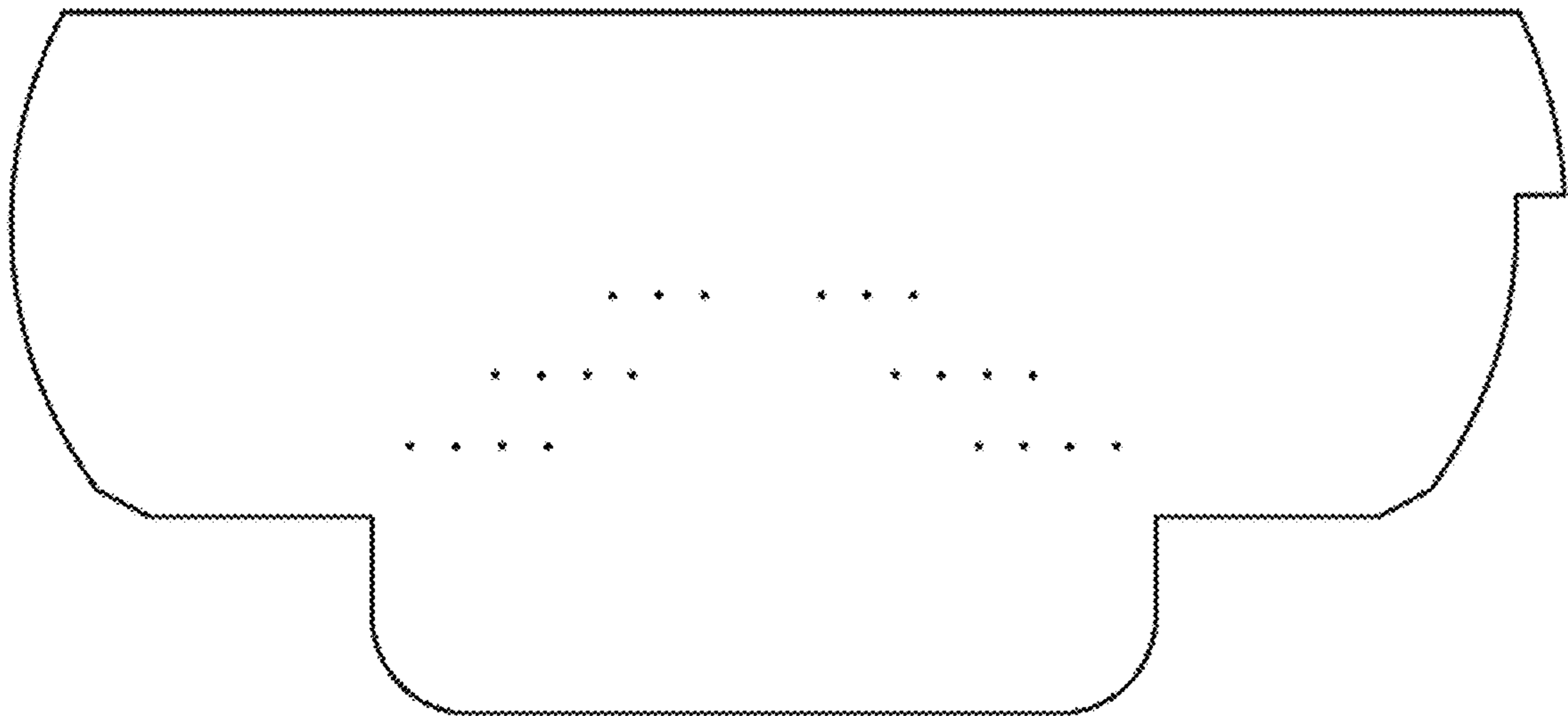


FIG. 5

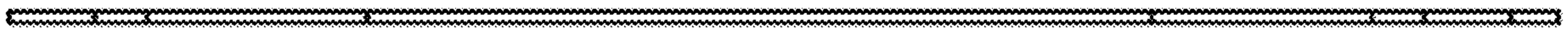


FIG. 7