



US00D984642S

(12) **United States Design Patent**  
**Mabry**

(10) **Patent No.:** **US D984,642 S**

(45) **Date of Patent:** **\*\* Apr. 25, 2023**

(54) **PELVIC LEVELER**

(71) Applicant: **Robert Lee Mabry**, Cordova, TN (US)

(72) Inventor: **Robert Lee Mabry**, Cordova, TN (US)

(\*\*) Term: **15 Years**

(21) Appl. No.: **29/855,728**

(22) Filed: **Oct. 6, 2022**

(51) **LOC (14) Cl.** ..... **24-02**

(52) **U.S. Cl.**  
USPC ..... **D24/135**

(58) **Field of Classification Search**  
USPC ..... D24/133, 135, 188, 192, 200, 214, 215;  
D21/325, 331, 333, 370

CPC ..... A61M 29/00; A61M 29/02; A61B 17/42;  
A61D 1/10; A63B 21/002

See application file for complete search history.

(56) **References Cited**

**U.S. PATENT DOCUMENTS**

D21,551 S	*	5/1892	Young	.....	D24/135
D43,892 S	*	4/1913	Parker	.....	D24/109
D143,924 S	*	2/1946	McFadden	.....	D24/135
D304,843 S	*	11/1989	Tonner	.....	D21/325
D334,414 S	*	3/1993	Kitaue	.....	D21/331
D420,251 S	*	2/2000	Brady	.....	D7/392.1
D446,856 S		8/2001	Stein		
D447,234 S		8/2001	Stein		
D447,235 S		8/2001	Stein		
D447,236 S		8/2001	Stein		
D447,562 S		9/2001	Stein		
D447,563 S		9/2001	Stein		
D447,800 S		9/2001	Stein		
D464,998 S	*	10/2002	Brookins	.....	D21/370
D497,668 S	*	10/2004	Bogazzi	.....	D24/146
D510,628 S	*	10/2005	Talbot	.....	D24/214
D543,212 S	*	5/2007	Marks	.....	D21/333
D599,016 S	*	8/2009	Gaab	.....	D24/138

D621,505 S		8/2010	Gabbay et al.		
D649,656 S	*	11/2011	Petersen	.....	D24/215
D659,843 S	*	5/2012	Wang	.....	D24/200
D669,997 S		10/2012	Crockford		
D674,089 S	*	1/2013	Harrington	.....	D24/135
D694,420 S	*	11/2013	Cole	.....	D24/215
D768,309 S	*	10/2016	Hetzel	.....	D24/214
D826,418 S	*	8/2018	Lad	.....	D24/215
D844,162 S		3/2019	Janapol		
D965,164 S	*	9/2022	Luo	.....	D24/215

**OTHER PUBLICATIONS**

Mobi Health News. Analytics gets over-the-counter FDA clearance for smartphone-connected pelvic floor muscle trainer. Jul. 12, 2016 by Jonah Comstock. <https://www.mobihealthnews.com/content/analytica-gets-over-counter-fda-clearance-smartphone-connected-pelvic-floor-muscle-trainer> (Year: 2016).\*

\* cited by examiner

*Primary Examiner* — Darcey E Gottschalk

(74) *Attorney, Agent, or Firm* — Veritay Group IP PLLC; Susan B. Fentress; Liam O'Donnell

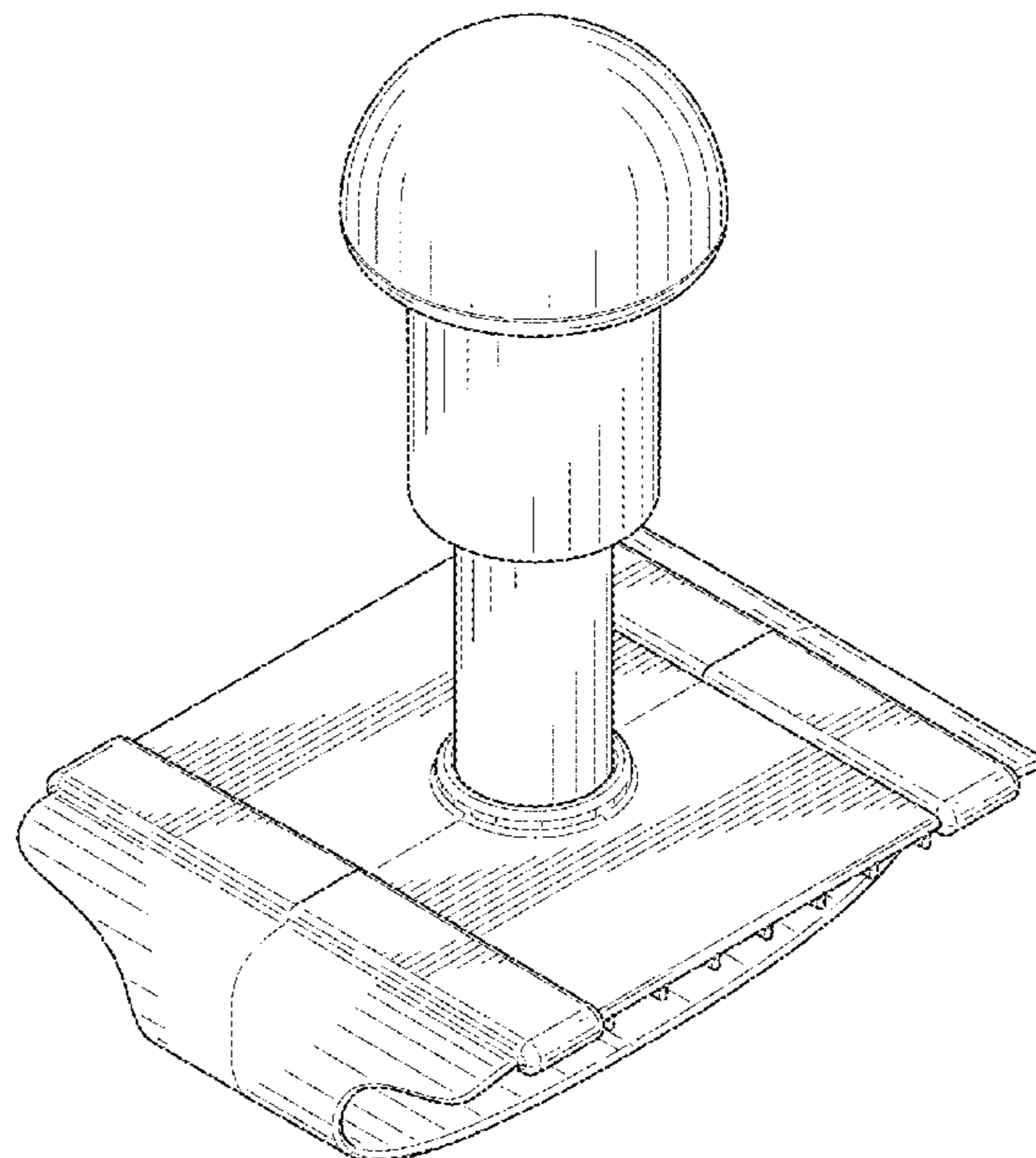
(57) **CLAIM**

The ornamental design for a pelvic leveler, as shown and described.

**DESCRIPTION**

FIG. 1 is a top, right, front isometric view of a pelvic leveler. FIG. 2 is a bottom, left, rear isometric view of FIG. 1. FIG. 3 is a front view of FIG. 1. FIG. 4 is a right side view of FIG. 1. FIG. 5 is a rear view of FIG. 1. FIG. 6 is a left side view of FIG. 1. FIG. 7 is a top view of FIG. 1; and, FIG. 8 is a bottom view of FIG. 1.

**1 Claim, 4 Drawing Sheets**



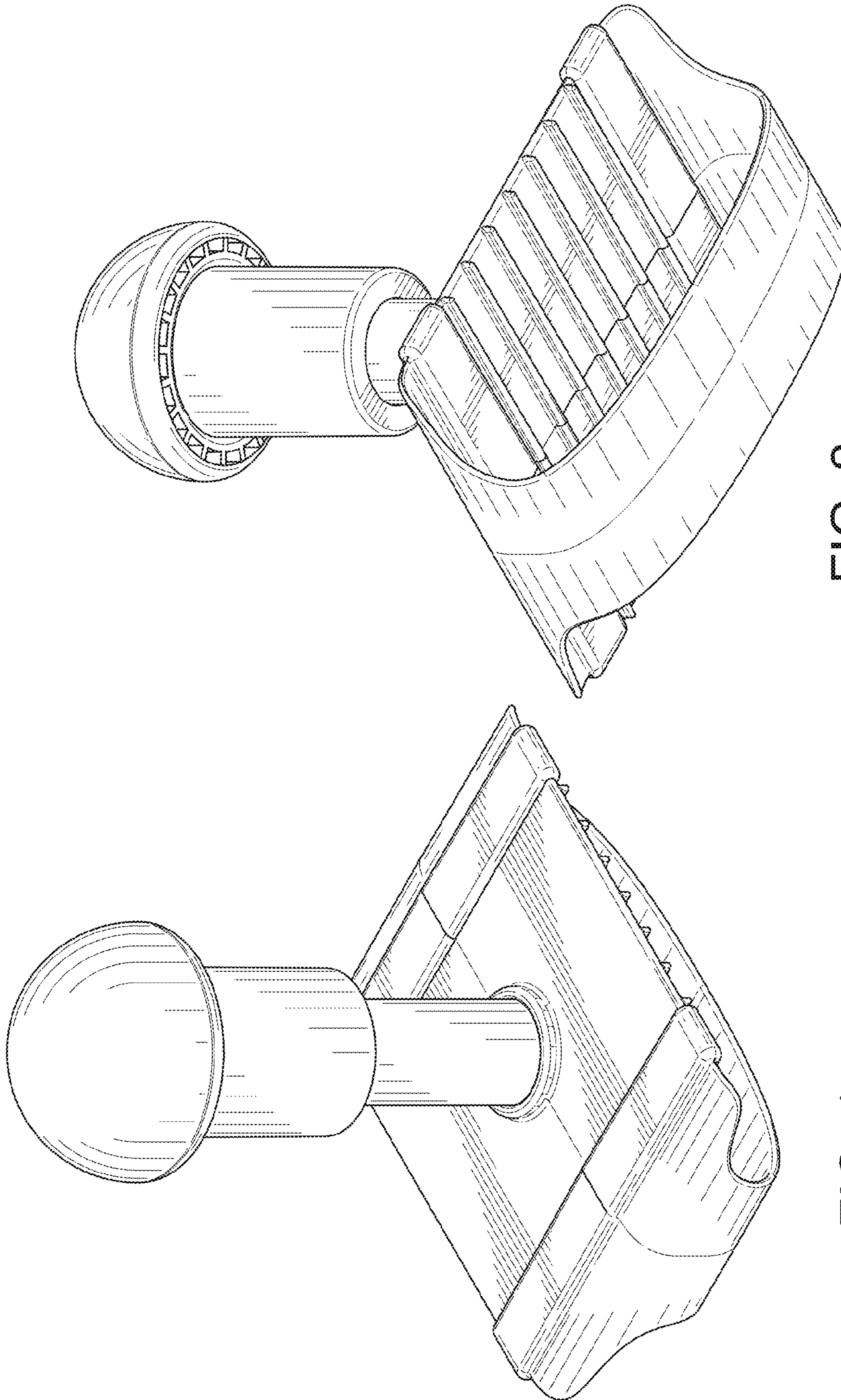


FIG. 2

FIG. 1

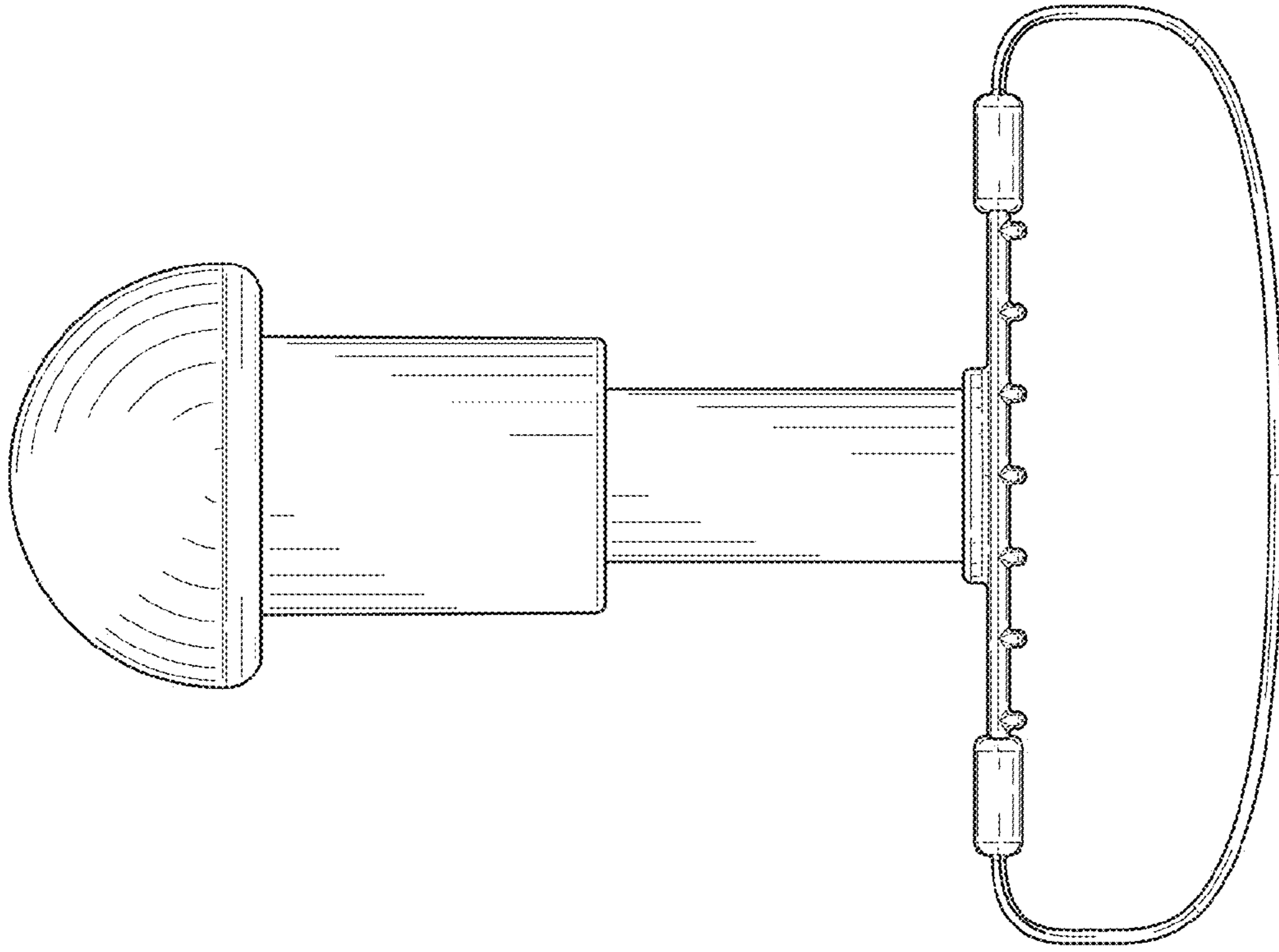


FIG. 3

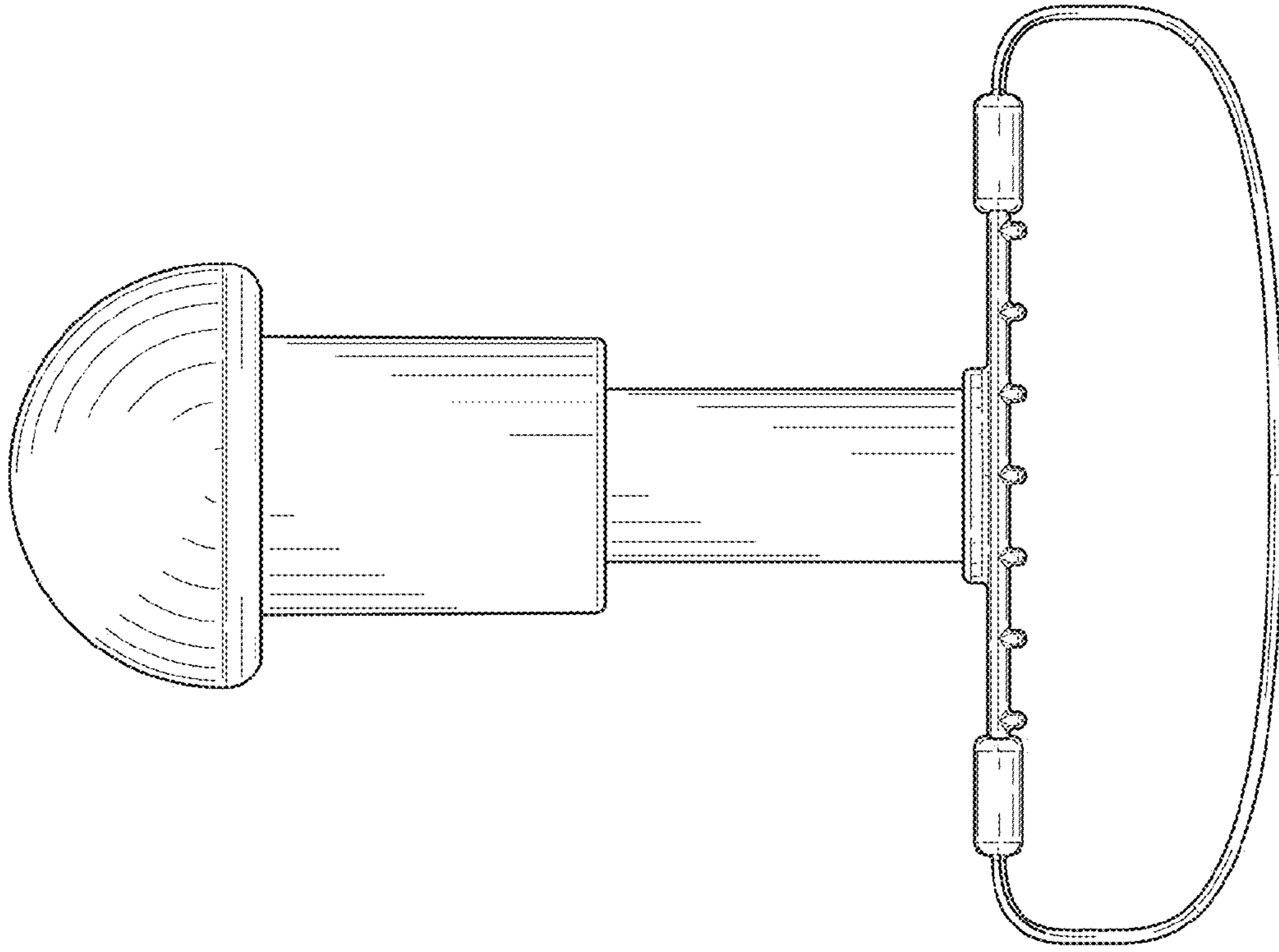


FIG. 4

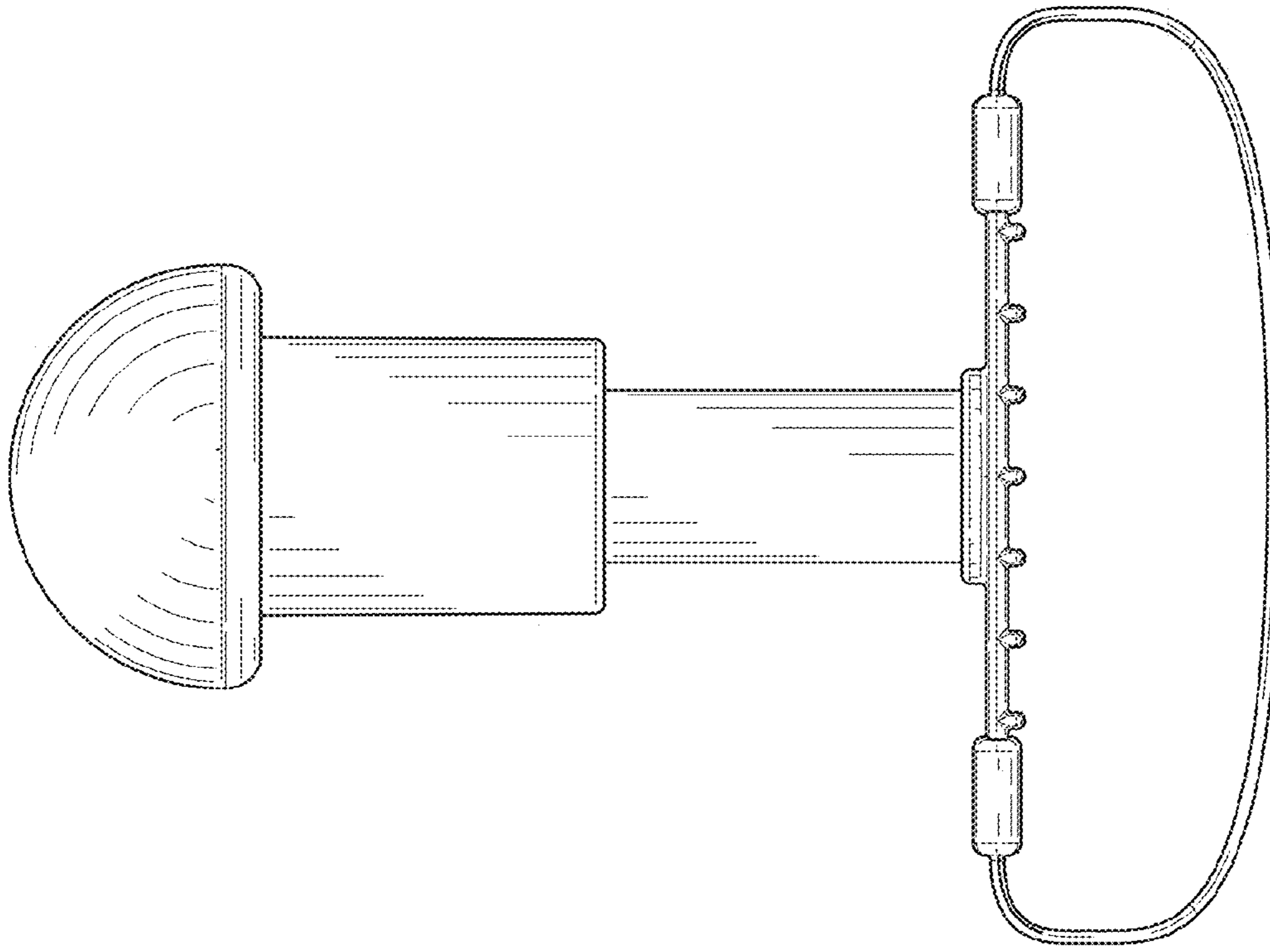


FIG. 5

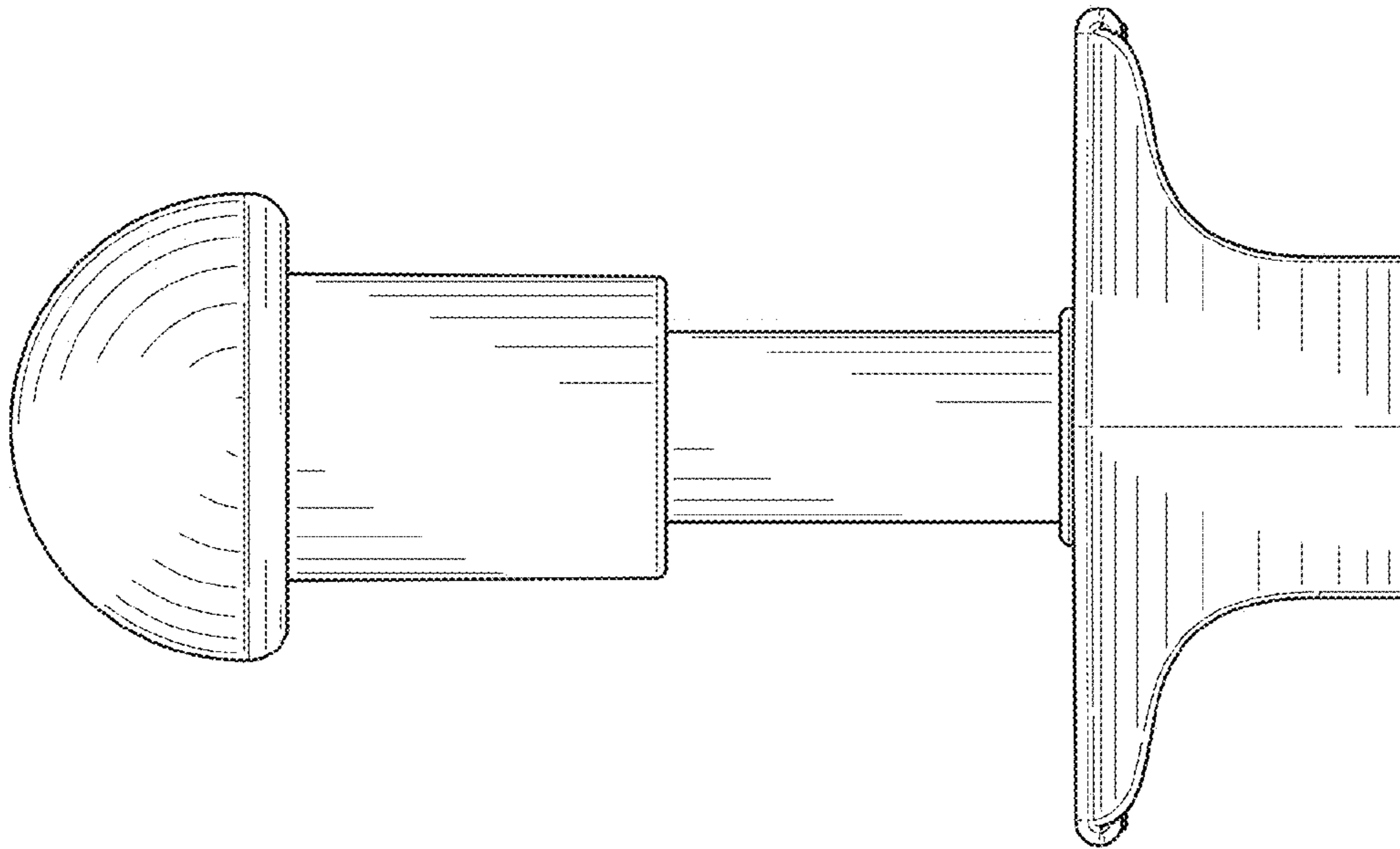


FIG. 6

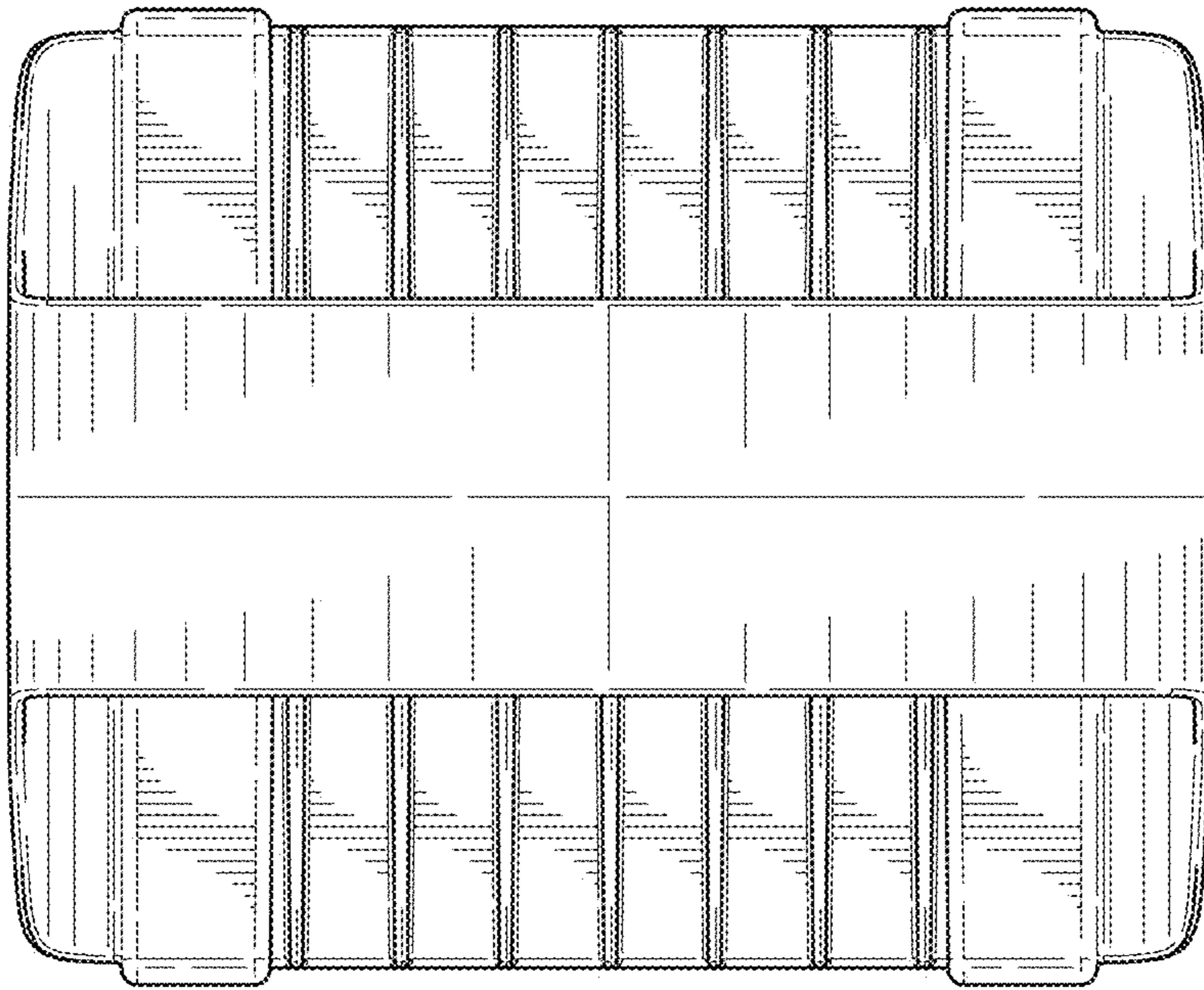


FIG. 8

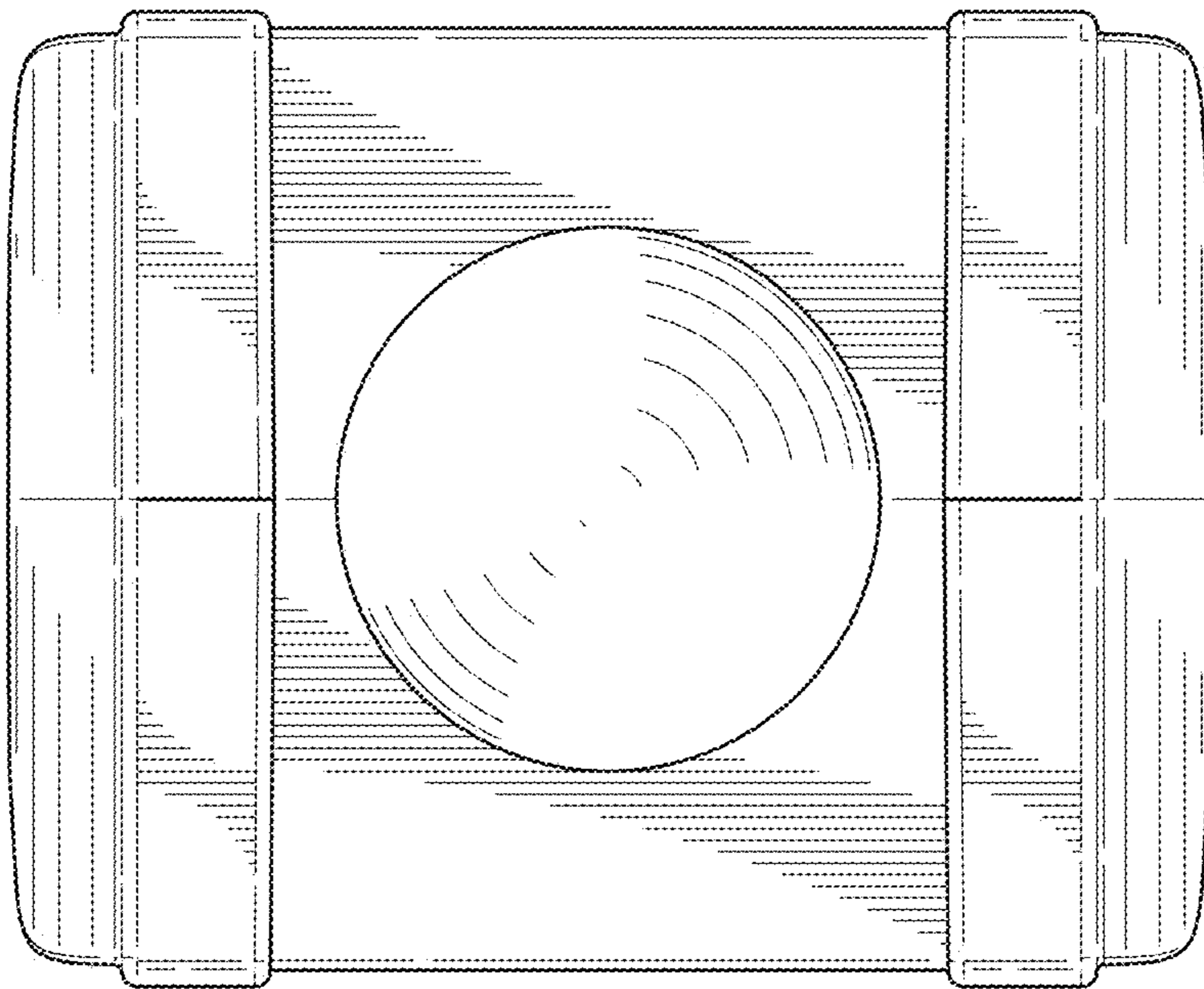


FIG. 7