



US00D984641S

(12) **United States Design Patent**  
**Fuller**

(10) **Patent No.:** **US D984,641 S**  
(45) **Date of Patent:** **\*\* Apr. 25, 2023**

(54) **PHARMACEUTICAL WASTE CONTAINER**  
(71) Applicant: **Fuller Concepts, LLC**, Mansfield, TX (US)  
(72) Inventor: **Tameka Fuller**, Mansfield, TX (US)  
(73) Assignee: **Fuller Concepts, LLC**, Mansfield, TX (US)  
(\*\*) Term: **15 Years**

(21) Appl. No.: **29/850,901**  
(22) Filed: **Aug. 24, 2022**  
(51) **LOC (14) Cl.** ..... **24-02**  
(52) **U.S. Cl.**  
USPC ..... **D24/131; D9/525**  
(58) **Field of Classification Search**  
USPC ..... D24/108, 118, 122, 224, 133, 127-131,  
D24/186, 216, 121, 231; D34/7, 11;  
D9/435, 445, 453, 452, 739, 523, 525  
(Continued)

(56) **References Cited**  
**U.S. PATENT DOCUMENTS**  
D302,291 S 7/1989 Heubel et al.  
D315,497 S \* 3/1991 Kamerichs ..... D9/438  
(Continued)

**FOREIGN PATENT DOCUMENTS**  
JP D1673140 \* 11/2020

**OTHER PUBLICATIONS**  
2 Gallon Stericycle Pharmaceutical Waste Container, Stericycle, [Post date unknown], [Site seen Nov. 30, 2022], Seen at URL: <https://store.stericycle.com/2-gallon-stericycle-pharmaceutical-waste-container/4002stc-p/> (Year: 2022).\*  
(Continued)

*Primary Examiner* — Natasha Vujcic  
*Assistant Examiner* — Gilbert B Ford  
(74) *Attorney, Agent, or Firm* — Rashauna Norment

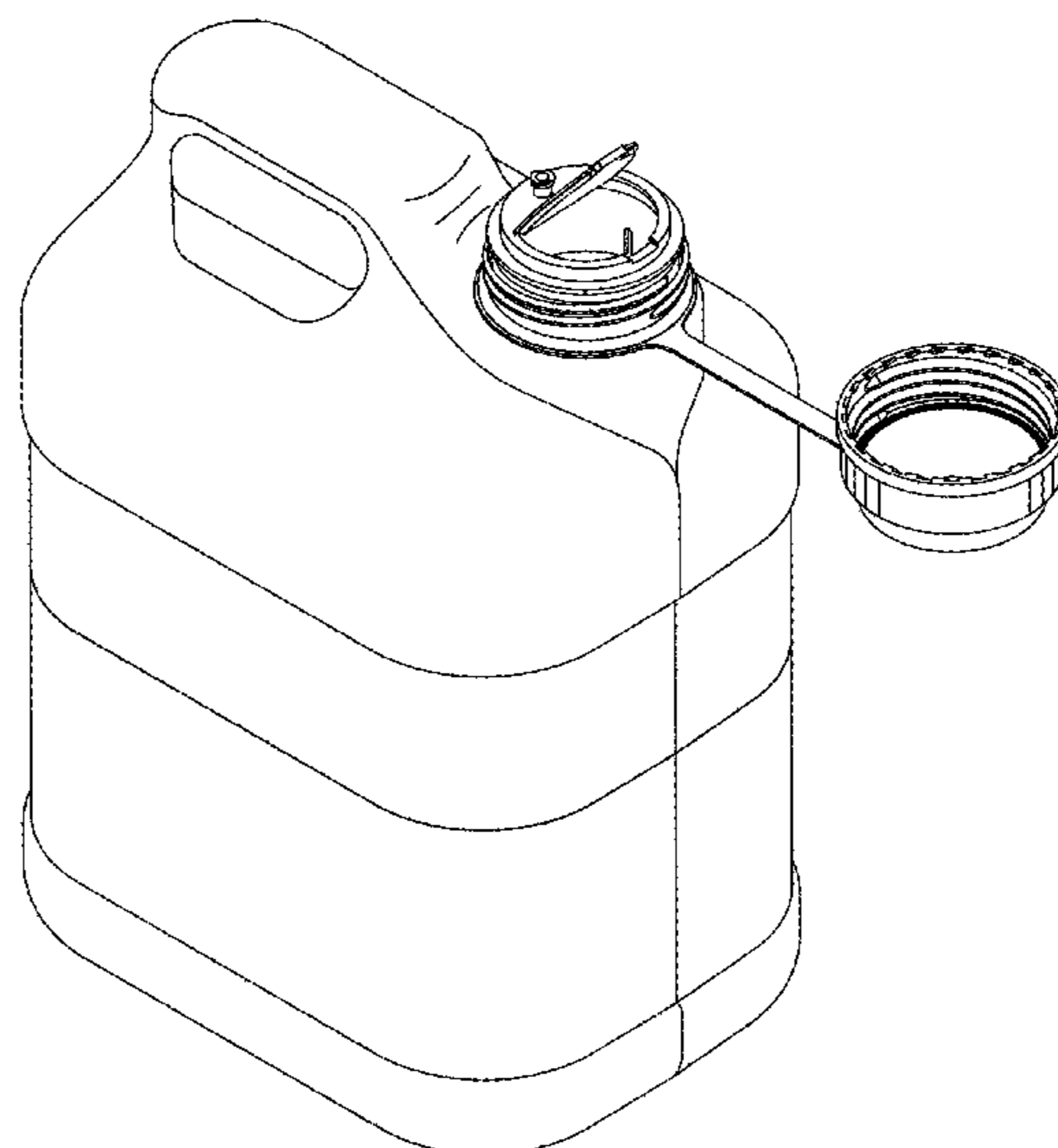
(57) **CLAIM**

The ornamental design for a pharmaceutical waste container, as shown and described.

**DESCRIPTION**

FIG. 1 is a perspective view of a pharmaceutical waste container showing my new design, showing an insert member assembled on the pharmaceutical waste container, with the insert member having a tab and a cap each shown in an opened configuration;  
FIG. 2 is a top plan view thereof;  
FIG. 3 is a bottom plan view thereof;  
FIG. 4 is a front elevation view thereof;  
FIG. 5 is a rear elevation view thereof;  
FIG. 6 is a left side elevation view thereof;  
FIG. 7 is a right-side elevation view thereof;  
FIG. 8 is another perspective view of the pharmaceutical waste container of FIG. 1, showing the insert member disassembled from the pharmaceutical waste container, with the tab of the insert member and the cap each shown in an opened configuration;  
FIG. 9 is another perspective view of the pharmaceutical waste container of FIG. 8, showing the insert member assembled on the pharmaceutical waste container, with the insert member having the tab shown in a closed configuration and with the cap shown in an opened configuration;  
FIG. 10 is a top plan view thereof;  
FIG. 11 is a bottom plan view thereof;  
FIG. 12 is a front elevation view thereof;  
FIG. 13 is a rear elevation view thereof;  
FIG. 14 is a left side elevation view thereof;  
FIG. 15 is a right-side elevation view thereof; and,  
FIG. 16 is another perspective view of the pharmaceutical waste container of FIG. 9 shown in a closed configuration.

**1 Claim, 14 Drawing Sheets**



# US D984,641 S

Page 2

(58) **Field of Classification Search**

CPC ..... B09B 3/0075; B09B 3/008; B09B 1/00;  
B65F 1/1615; A62D 3/30

See application file for complete search history.

(56)

**References Cited**

U.S. PATENT DOCUMENTS

D391,729 S \* 3/1998 Delmerico ..... 220/908  
D447,233 S 8/2001 Bickel et al.  
D485,906 S 1/2004 Danssaert et al.  
D509,339 S \* 9/2005 Lin ..... D34/11  
D509,937 S \* 9/2005 Lin ..... D34/11  
D510,469 S \* 10/2005 Lin ..... D34/11  
D514,941 S \* 2/2006 Darr ..... D9/523  
D517,415 S \* 3/2006 Murphy ..... D9/523  
D674,571 S \* 1/2013 Sakaguchi ..... D34/7  
D746,999 S \* 1/2016 Jonsson ..... D24/216  
D747,206 S \* 1/2016 Welter ..... D9/523  
9,320,567 B2 4/2016 Stark  
9,403,197 B2 8/2016 Dallas et al.  
D819,915 S \* 6/2018 Papari ..... D34/7

D950,386 S \* 5/2022 Barber ..... D9/523  
2007/0068834 A1 3/2007 Smudde et al.  
2009/0294312 A1\* 12/2009 Hitson ..... B65F 1/10  
206/364  
2013/0341328 A1\* 12/2013 Schneider ..... B65F 1/16  
220/259.2  
2014/0183070 A1 7/2014 Holaday et al.  
2014/0235917 A1 8/2014 Best  
2015/0060449 A1\* 3/2015 Brooks ..... B65D 25/02  
220/254.5  
2015/0231673 A1 8/2015 Dallas et al.  
2019/0126331 A1\* 5/2019 VanderWoude ..... A61B 50/39

OTHER PUBLICATIONS

Justrite™ 10 Gallon Biohazard Waste Can, Foot-Operated Self-Closing SoundGard™ Cover, Justrite, Soundcard, [Postdate unknown], [Site seen Nov. 30, 2022], Seen at <https://www.fishersci.com/shop/products/6-gallon-biohazard-waste-can-foot-operated-self-closing-soundgard-cover-2/p-7070940#> (Year: 2022).\*

\* cited by examiner

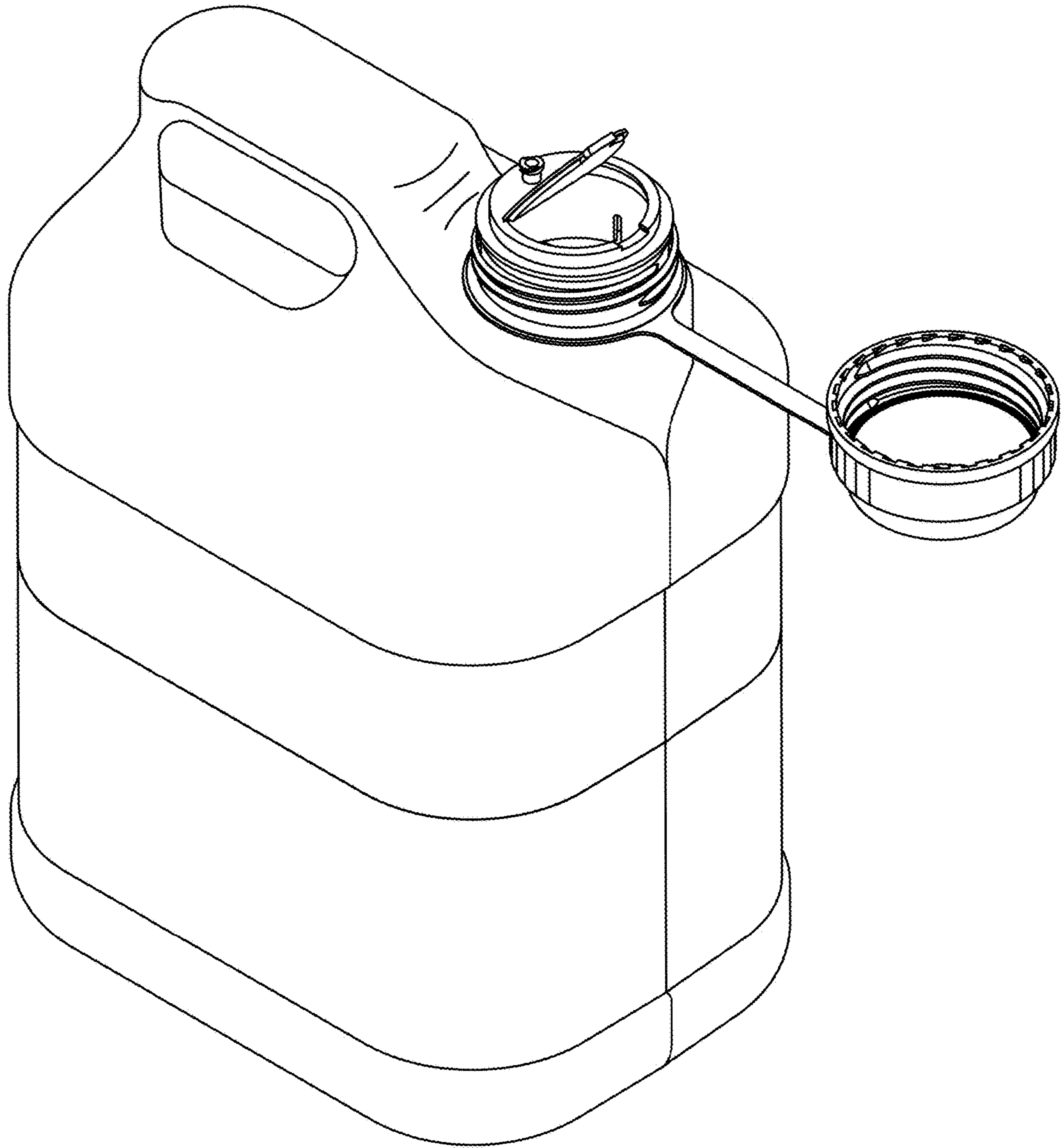


Fig. 1

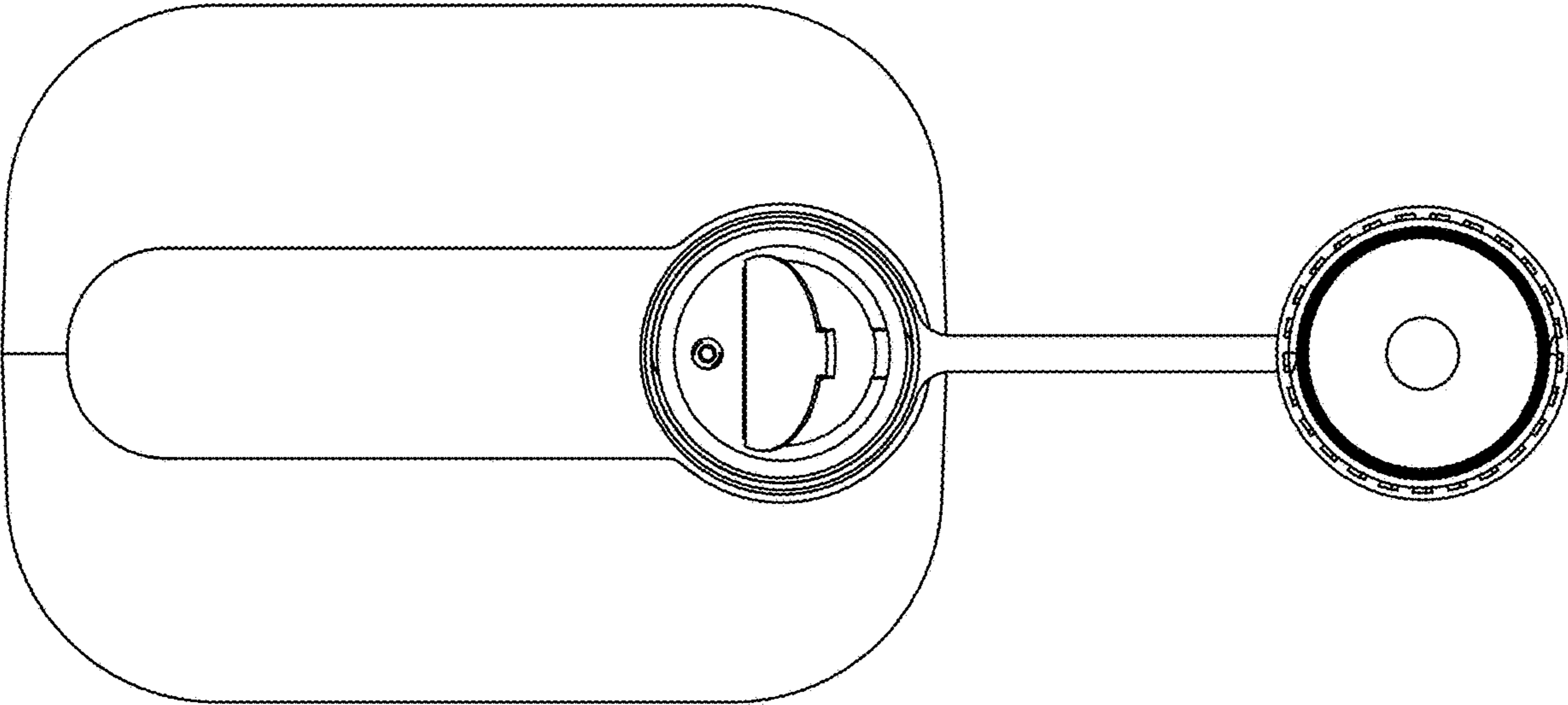


Fig. 2

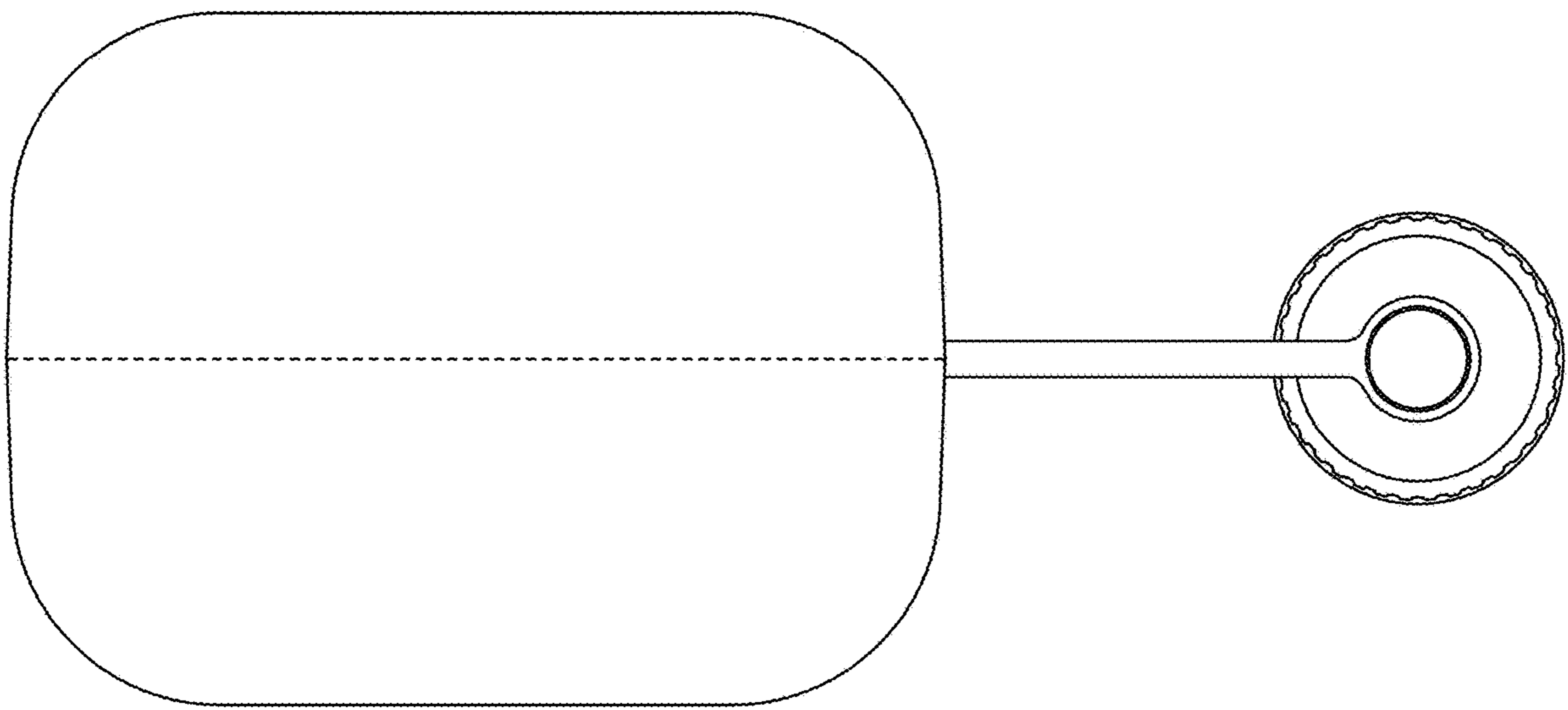


Fig. 3

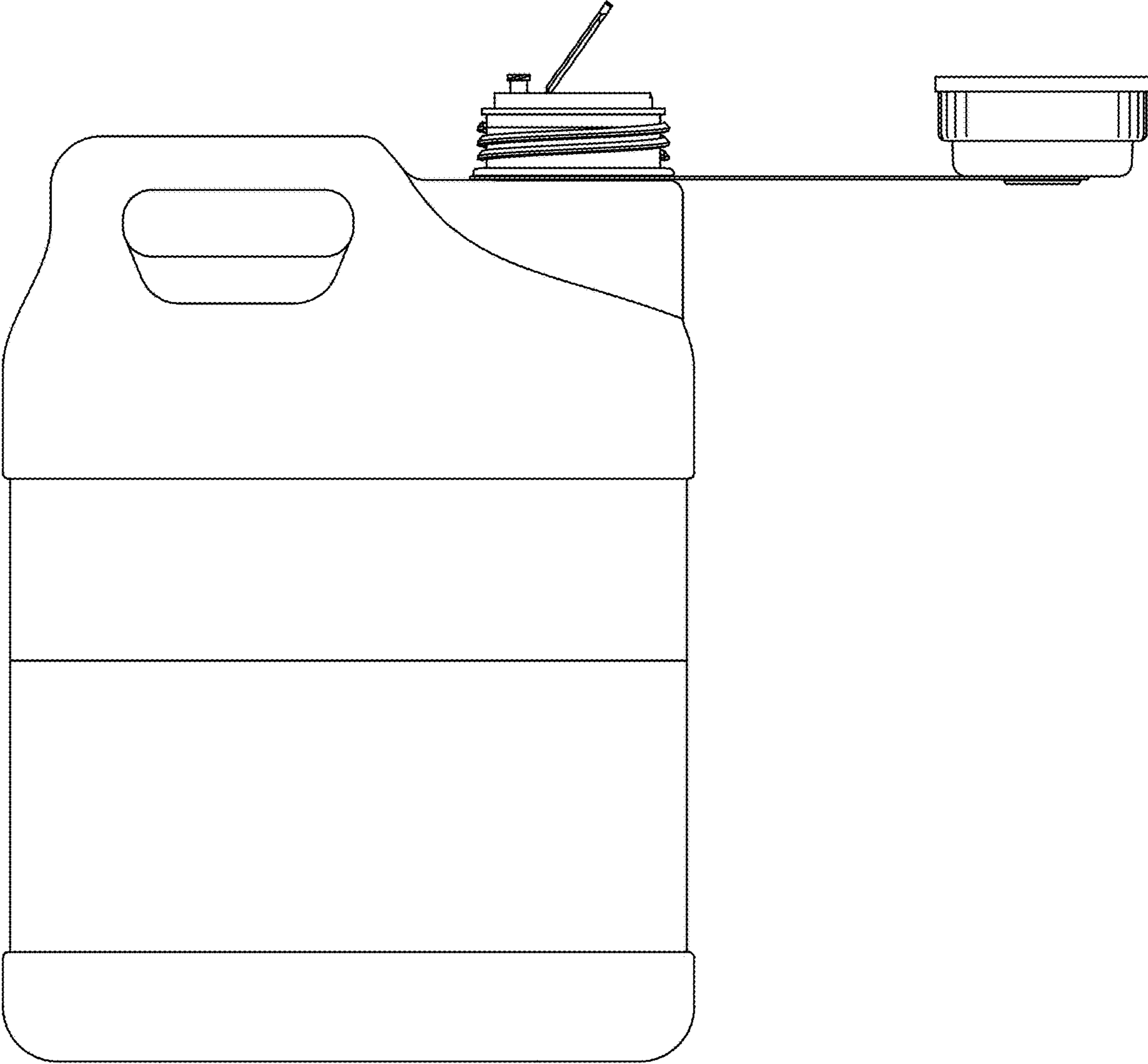


Fig. 4

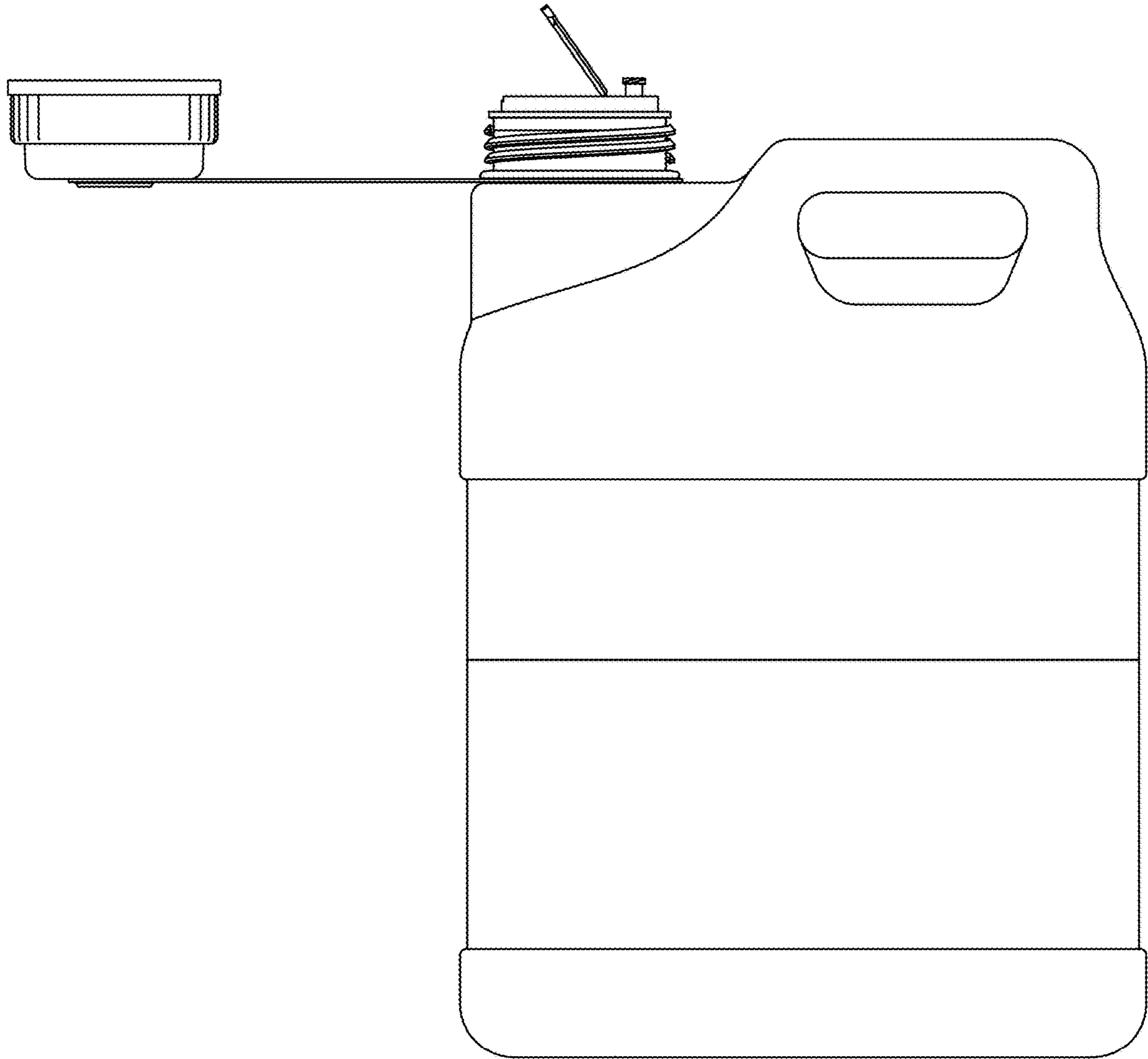


Fig. 5

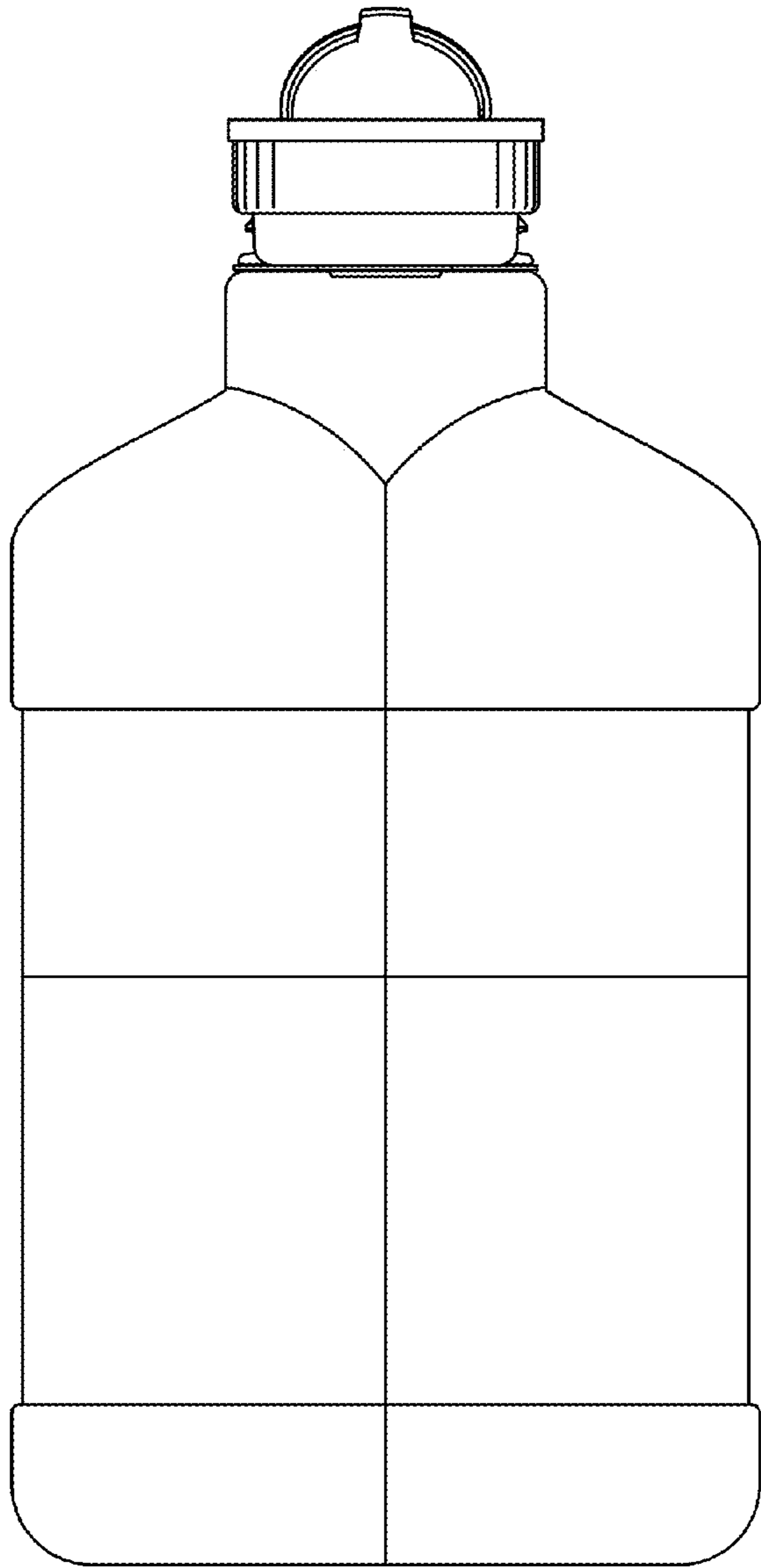


Fig. 6

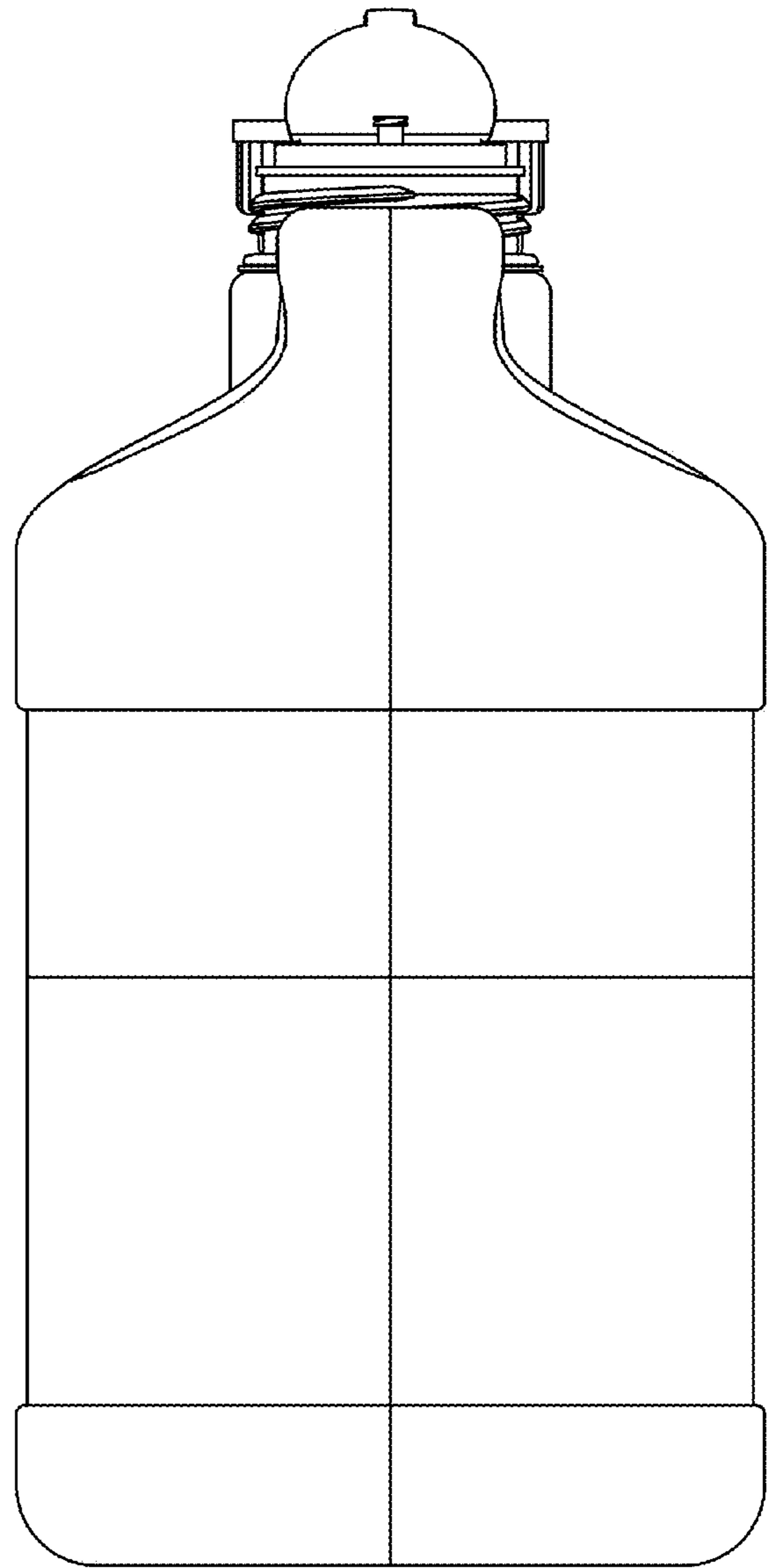


Fig. 7



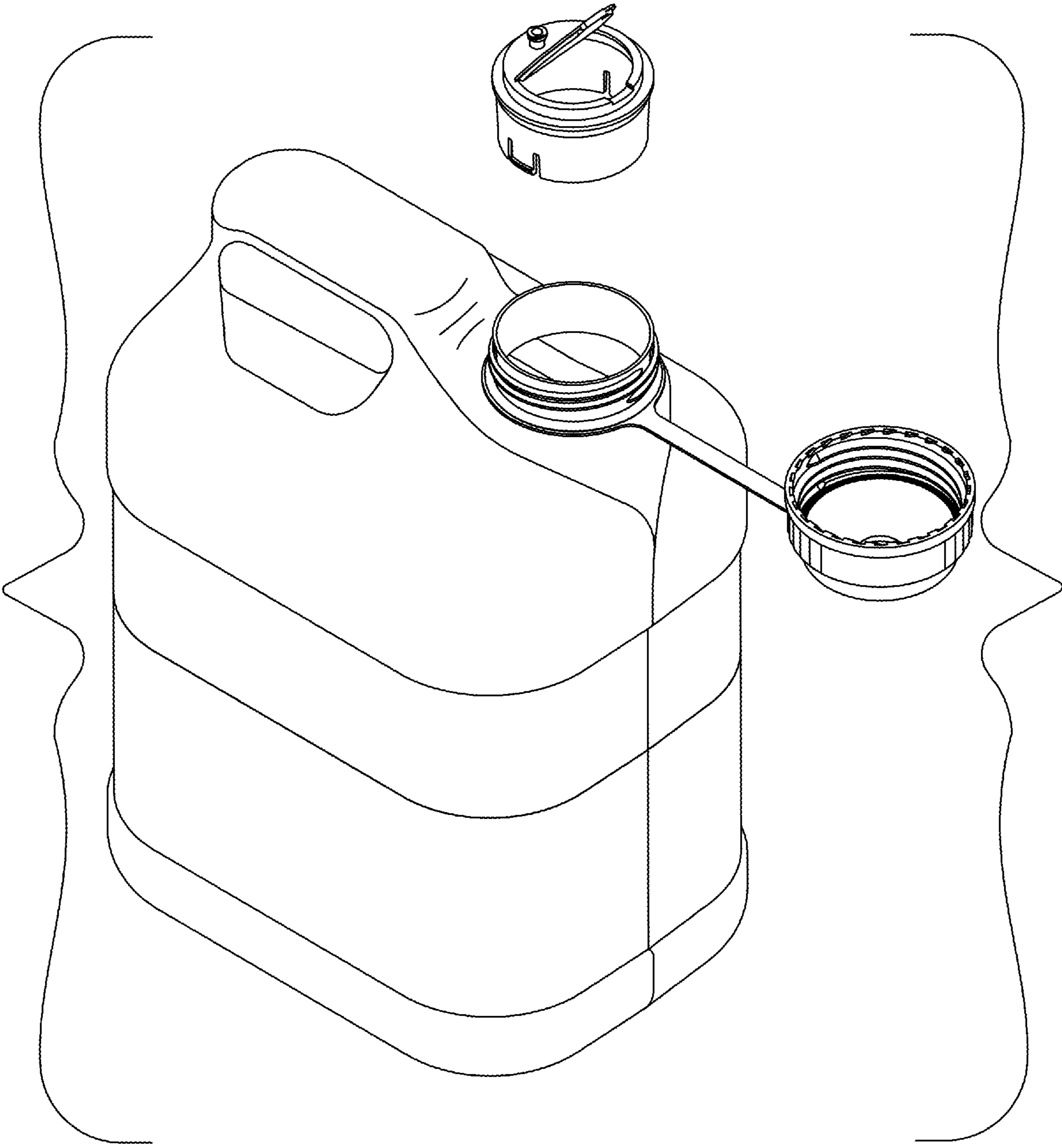


Fig. 8

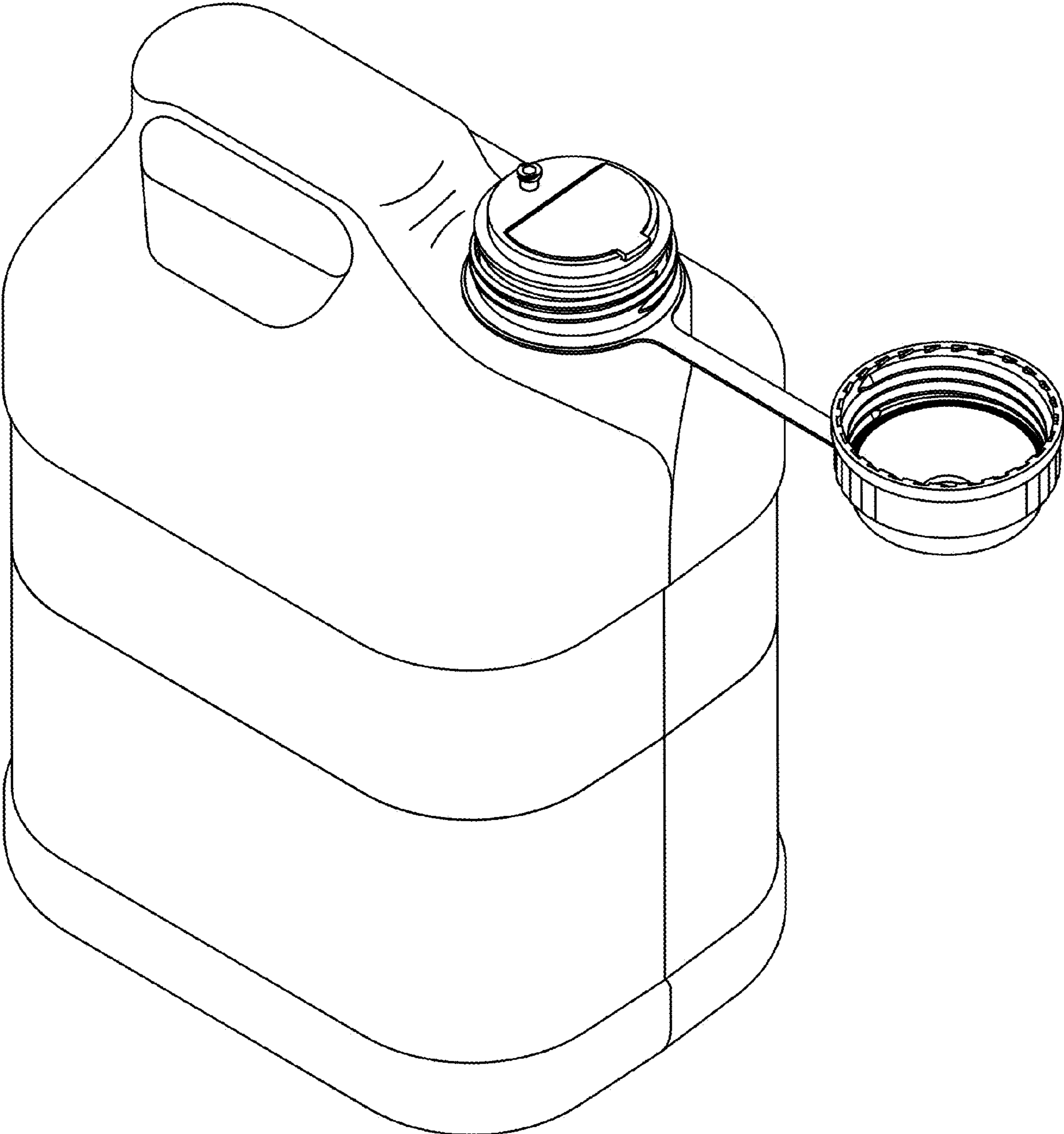


Fig. 9

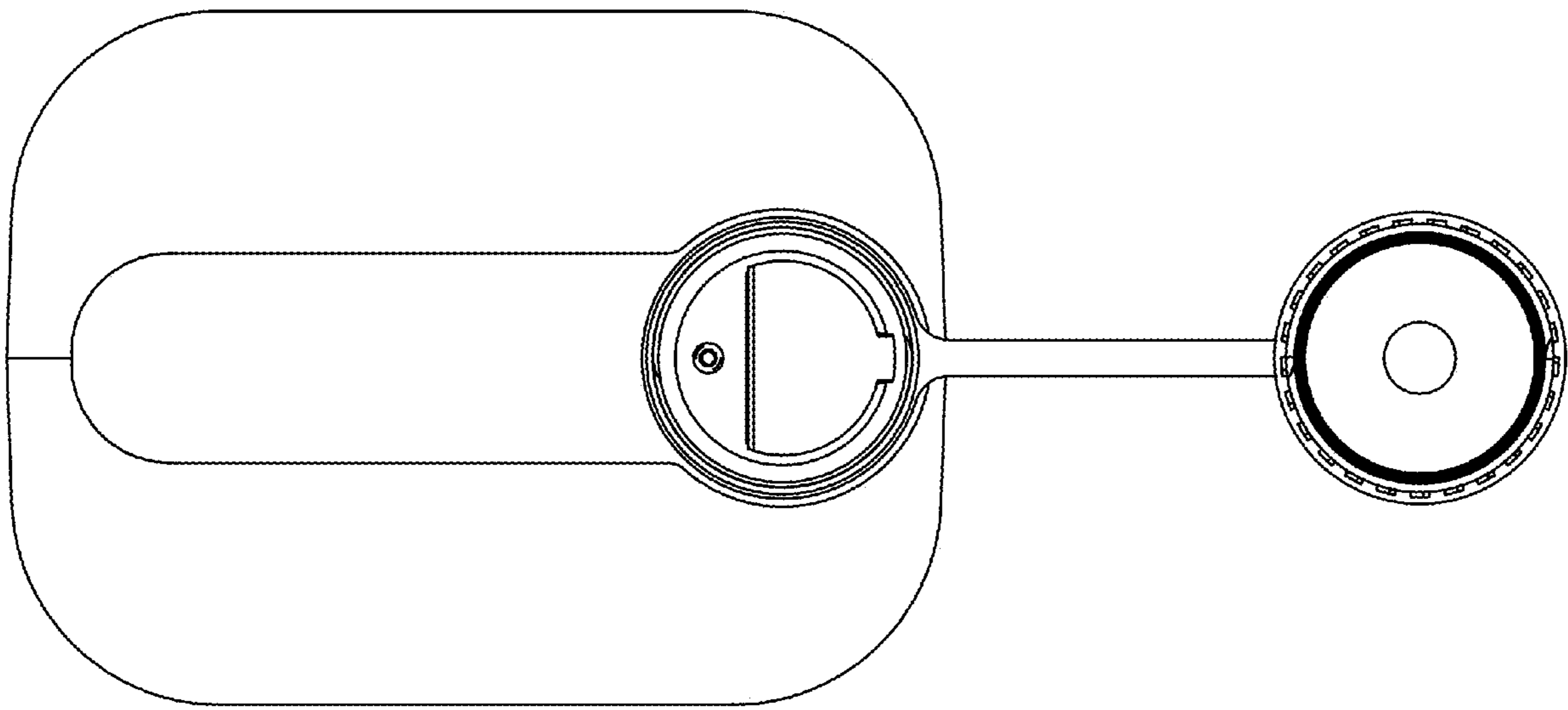


Fig. 10

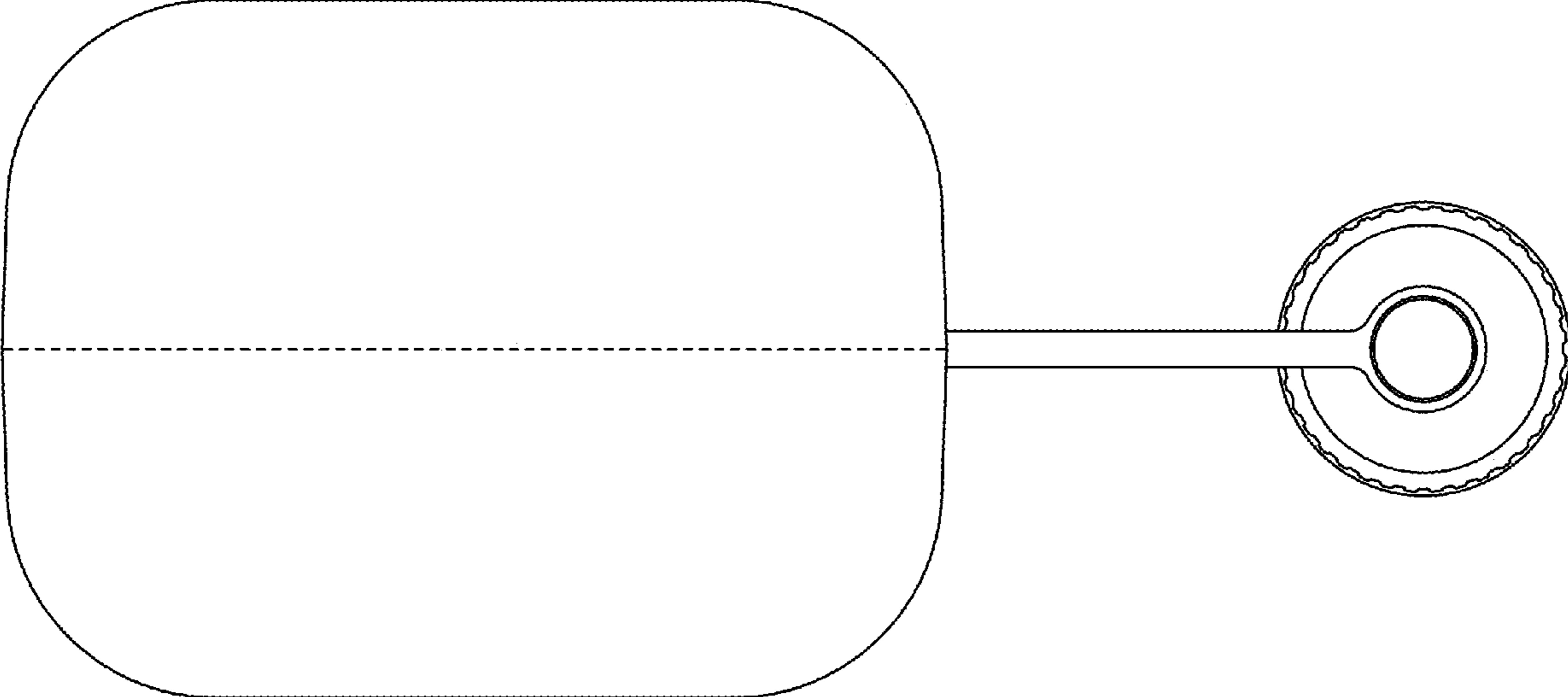


Fig. 11

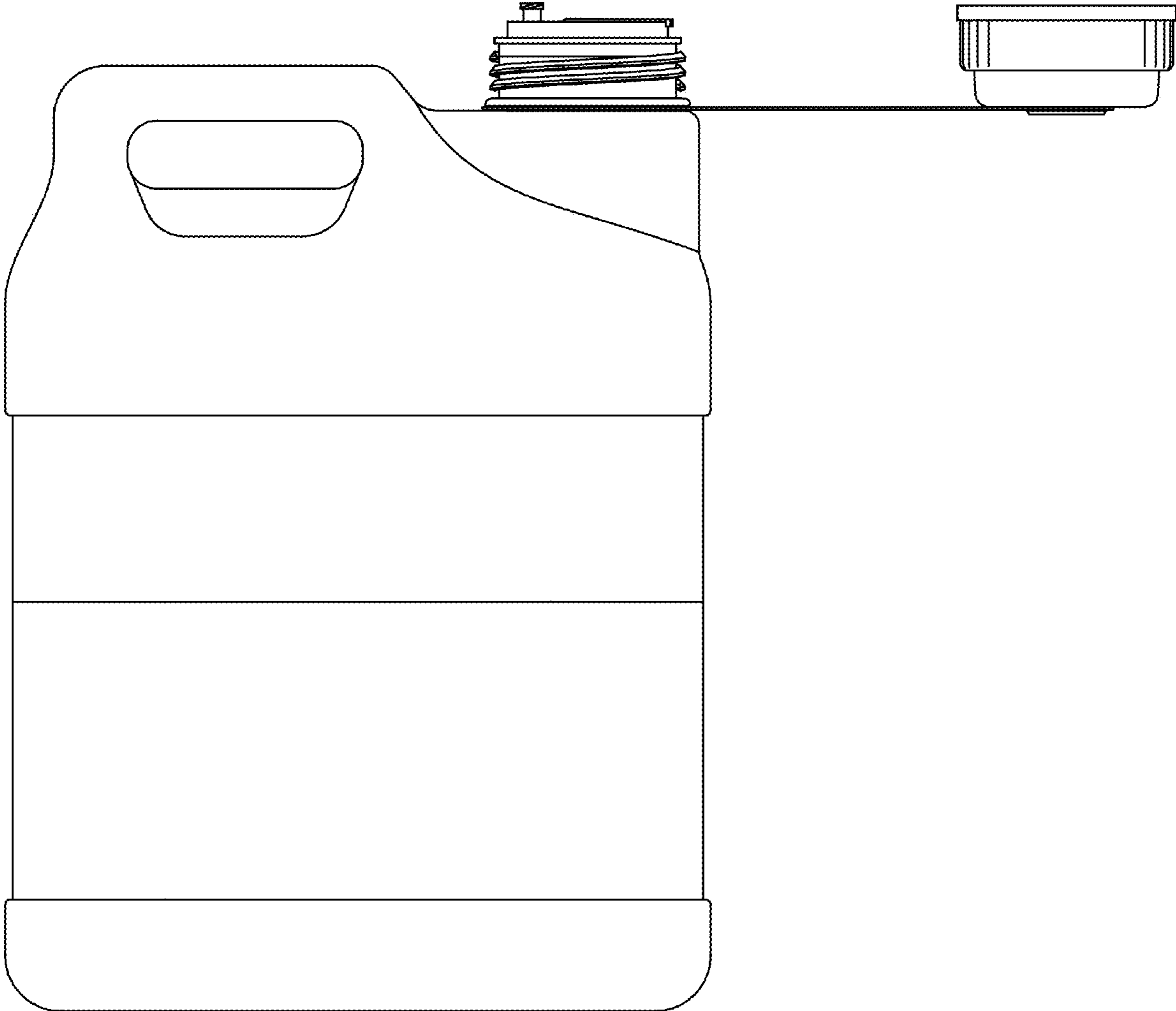


Fig. 12

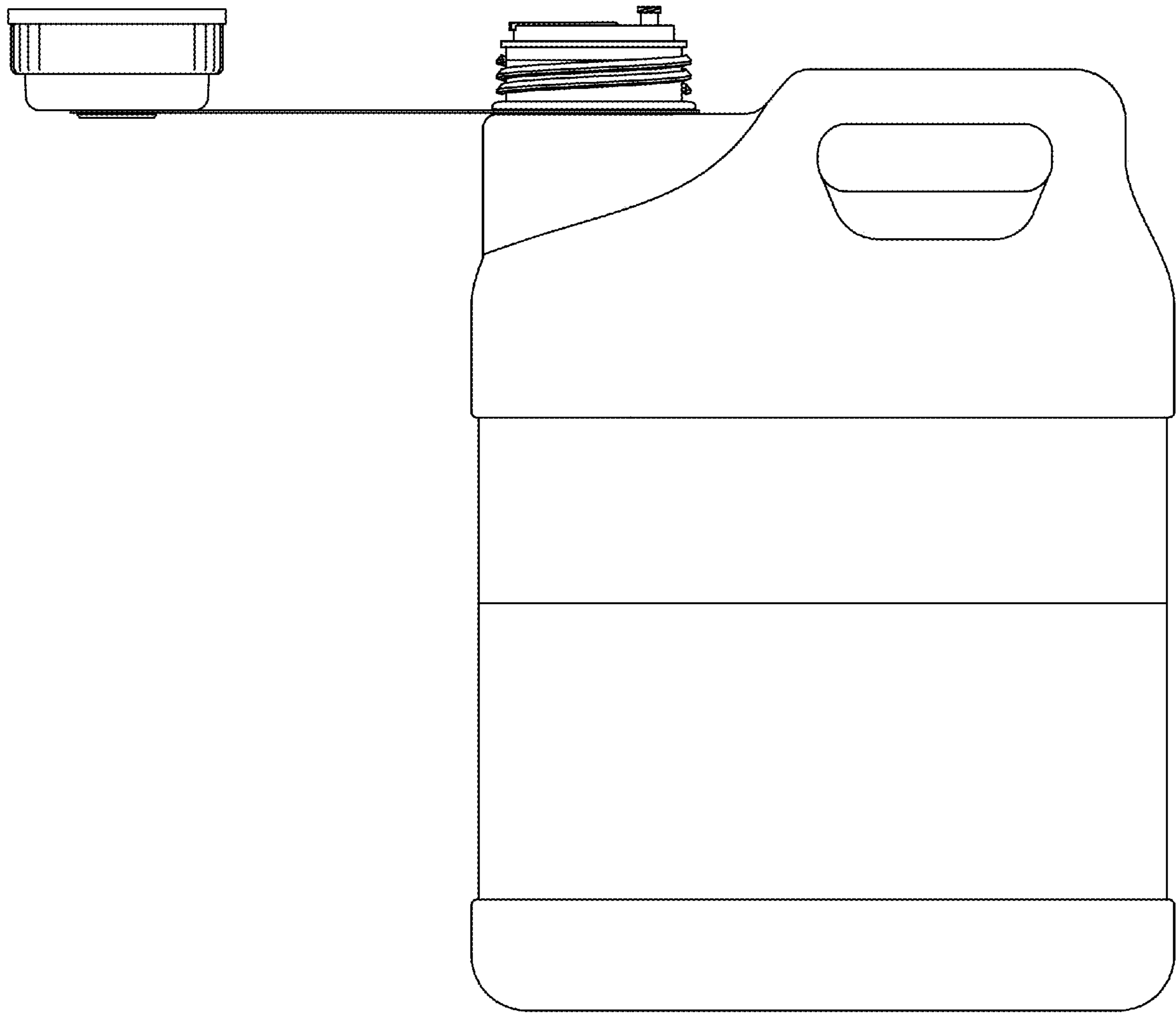


Fig. 13

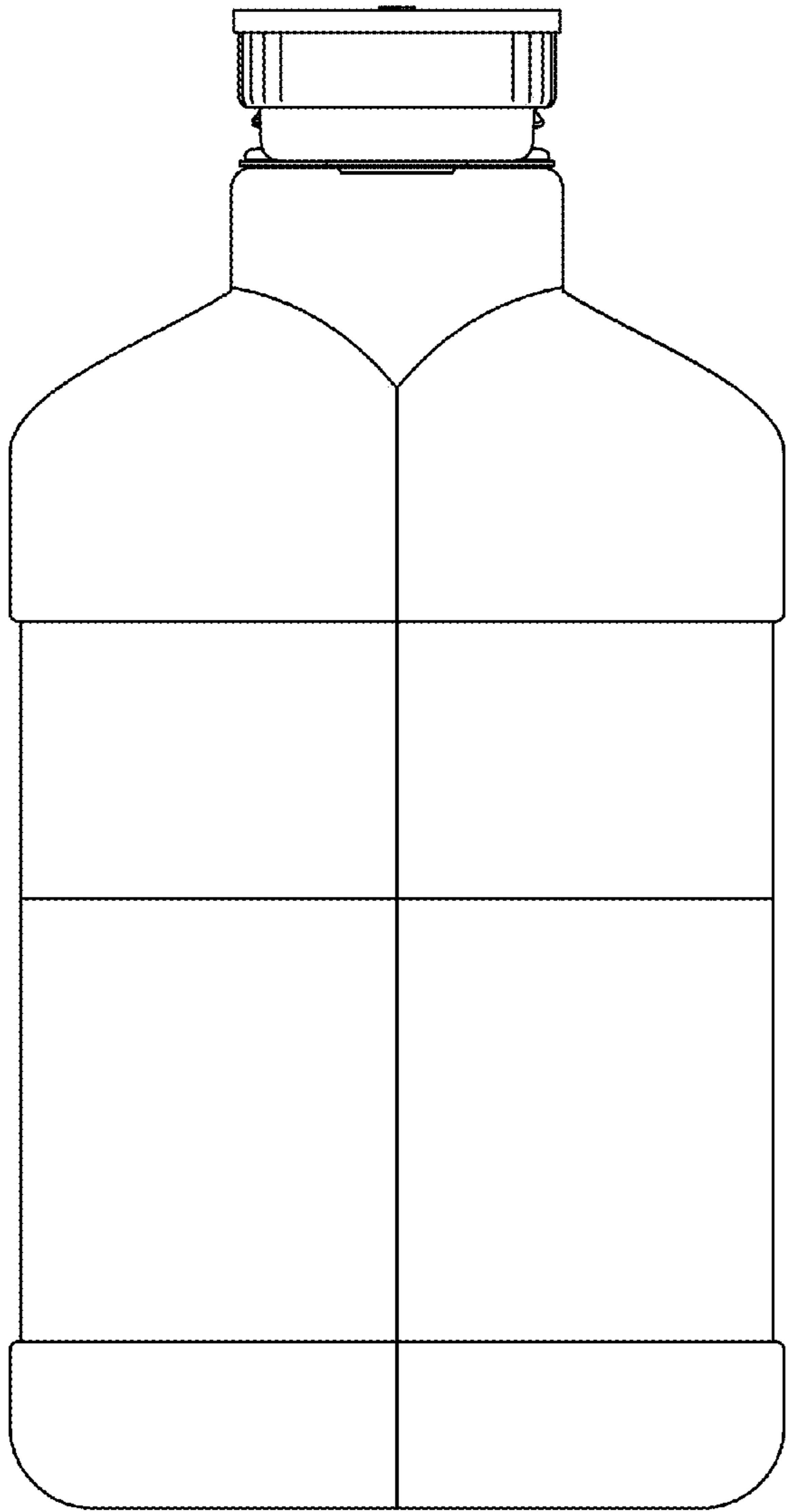


Fig. 14

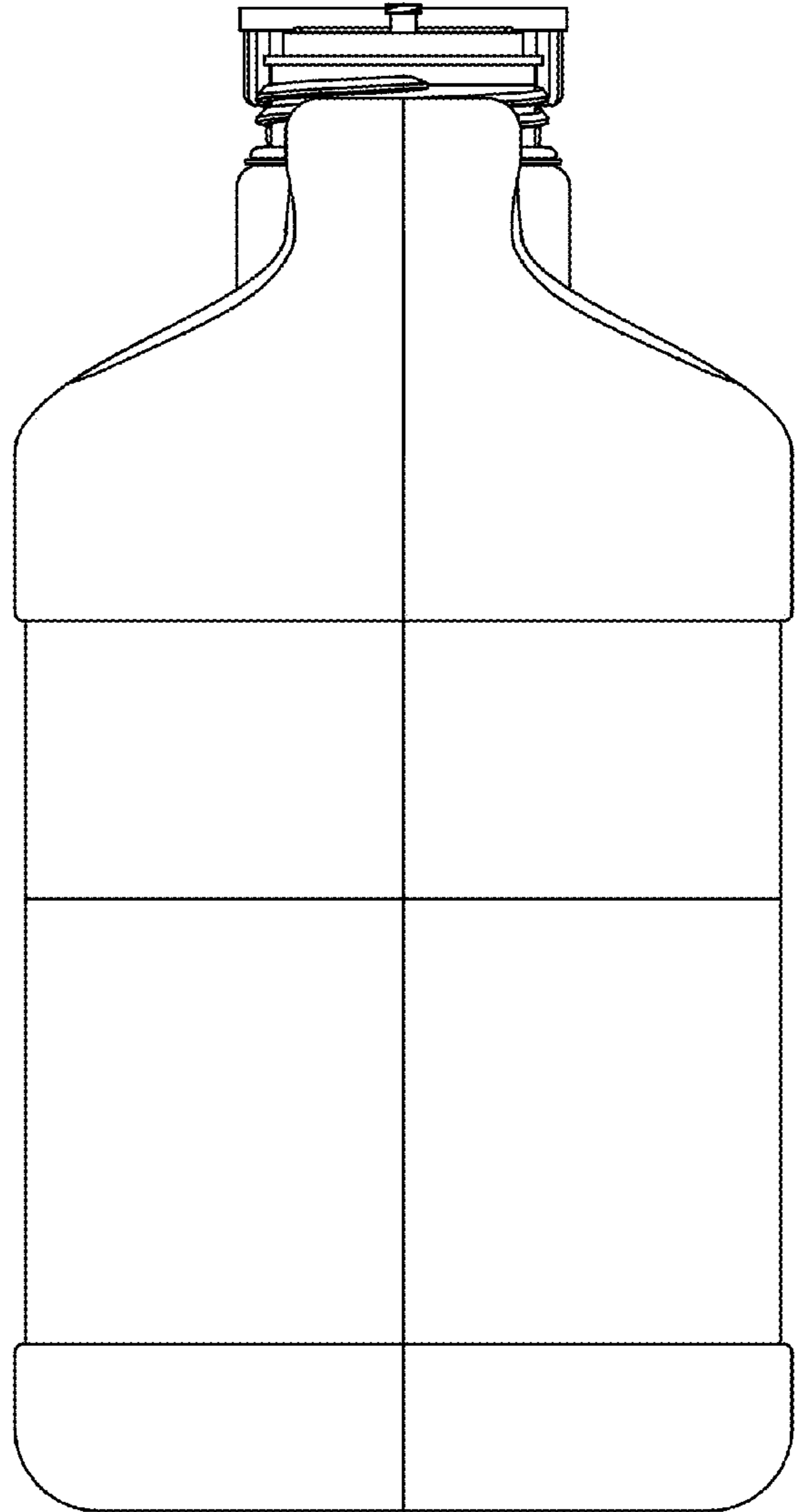


Fig. 15

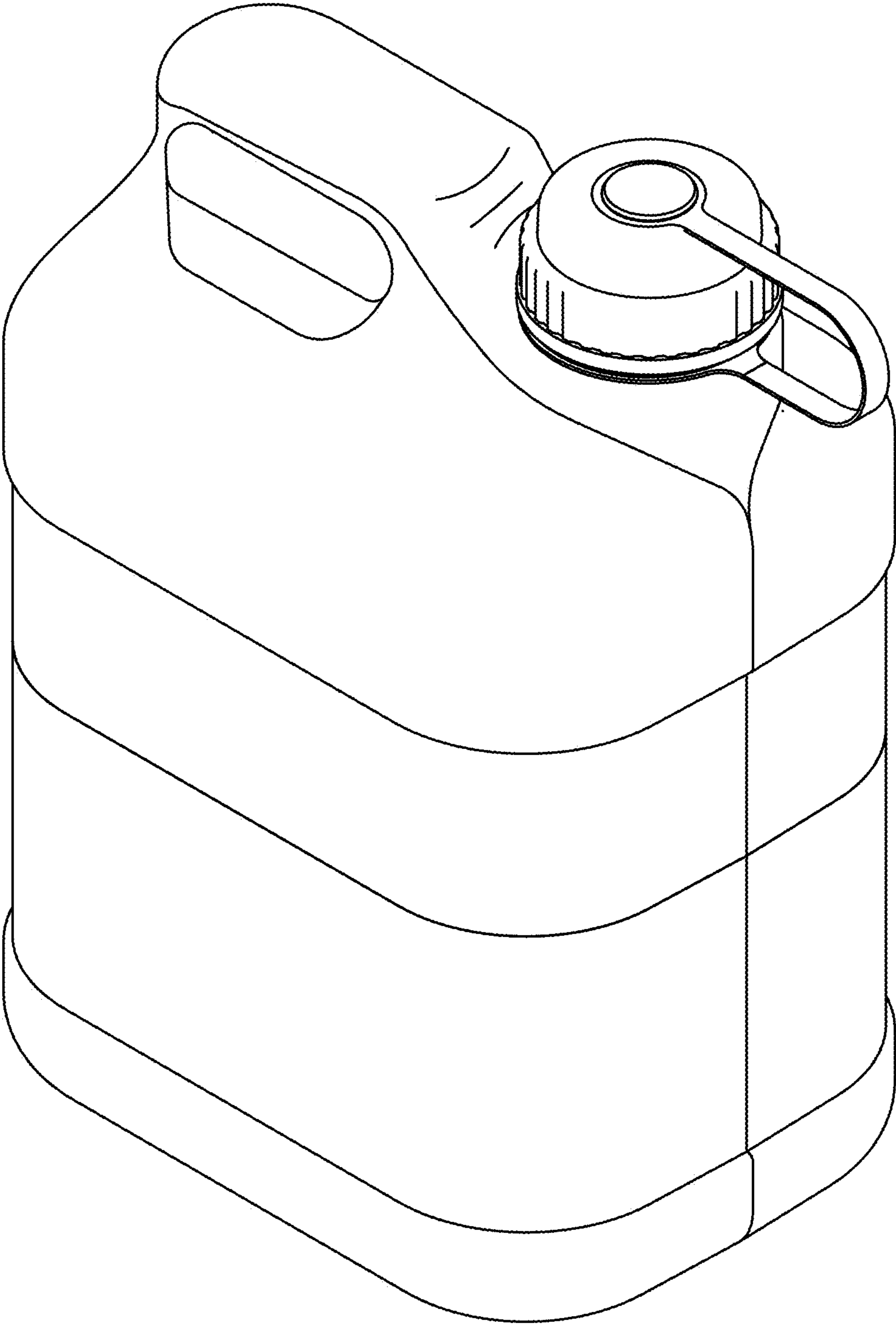


Fig. 16