



US00D984640S

(12) **United States Design Patent**
Suzuki et al.

(10) **Patent No.:** **US D984,640 S**

(45) **Date of Patent:** **** Apr. 25, 2023**

(54) **CONTAINER UNIT FOR NEEDLELESS INJECTOR**

(71) Applicant: **Daicel Corporation**, Osaka (JP)

(72) Inventors: **Takamasa Suzuki**, Tokyo (JP); **Yuzo Yamamoto**, Tokyo (JP)

(73) Assignee: **DAICEL CORPORATION**, Osaka (JP)

(**) Term: **15 Years**

(21) Appl. No.: **29/763,761**

(22) Filed: **Dec. 23, 2020**

(30) **Foreign Application Priority Data**

Jun. 30, 2020 (JP) 2020-013190

(51) **LOC (14) Cl.** **24-02**

(52) **U.S. Cl.**
USPC **D24/130**

(58) **Field of Classification Search**

USPC D24/112–114, 108, 130, 127, 133, 186;
606/181, 185; 604/264, 523–528, 272,
604/164.01–164.11, 187, 93.01; 600/101,
600/139, 143; 128/200.24, 207.14,
128/207.15

CPC A61M 25/00; A61M 39/00; A61M 27/00;
A61M 25/0043; A61M 25/0067; A61M
25/0097; A61F 2/958

See application file for complete search history.

(56) **References Cited**

U.S. PATENT DOCUMENTS

D363,542 S * 10/1995 Parris D24/129
D830,524 S * 10/2018 Vranish D23/262

D838,363 S * 1/2019 Katagiri D24/127
D841,499 S * 2/2019 Drewes D24/186
D878,576 S * 3/2020 Johnson D24/127
D892,321 S * 8/2020 Newton D24/129
D934,418 S * 10/2021 Gertsenchtein D24/112
D936,824 S * 11/2021 Donnelly D24/113
D940,302 S * 1/2022 Wu D24/113
D940,306 S * 1/2022 Osypka D24/127
2013/0092271 A1 * 4/2013 Downs B60K 15/01
137/798
2015/0335873 A1 * 11/2015 Khalaj A61M 25/00
604/533
2018/0021560 A1 * 1/2018 Ueda A61M 39/20
604/533

* cited by examiner

Primary Examiner — David G Muller

(57) **CLAIM**

The ornamental design for a container unit for needleless injector, as shown and described.

DESCRIPTION

FIG. 1 is a front bottom left perspective elevational view of a container unit for needleless injector showing our new design;

FIG. 2 is a front bottom right perspective view thereof;

FIG. 3 is a rear top left perspective view thereof;

FIG. 4 is a rear top right perspective view thereof;

FIG. 5 is a front elevational view thereof;

FIG. 6 is a rear elevational view thereof;

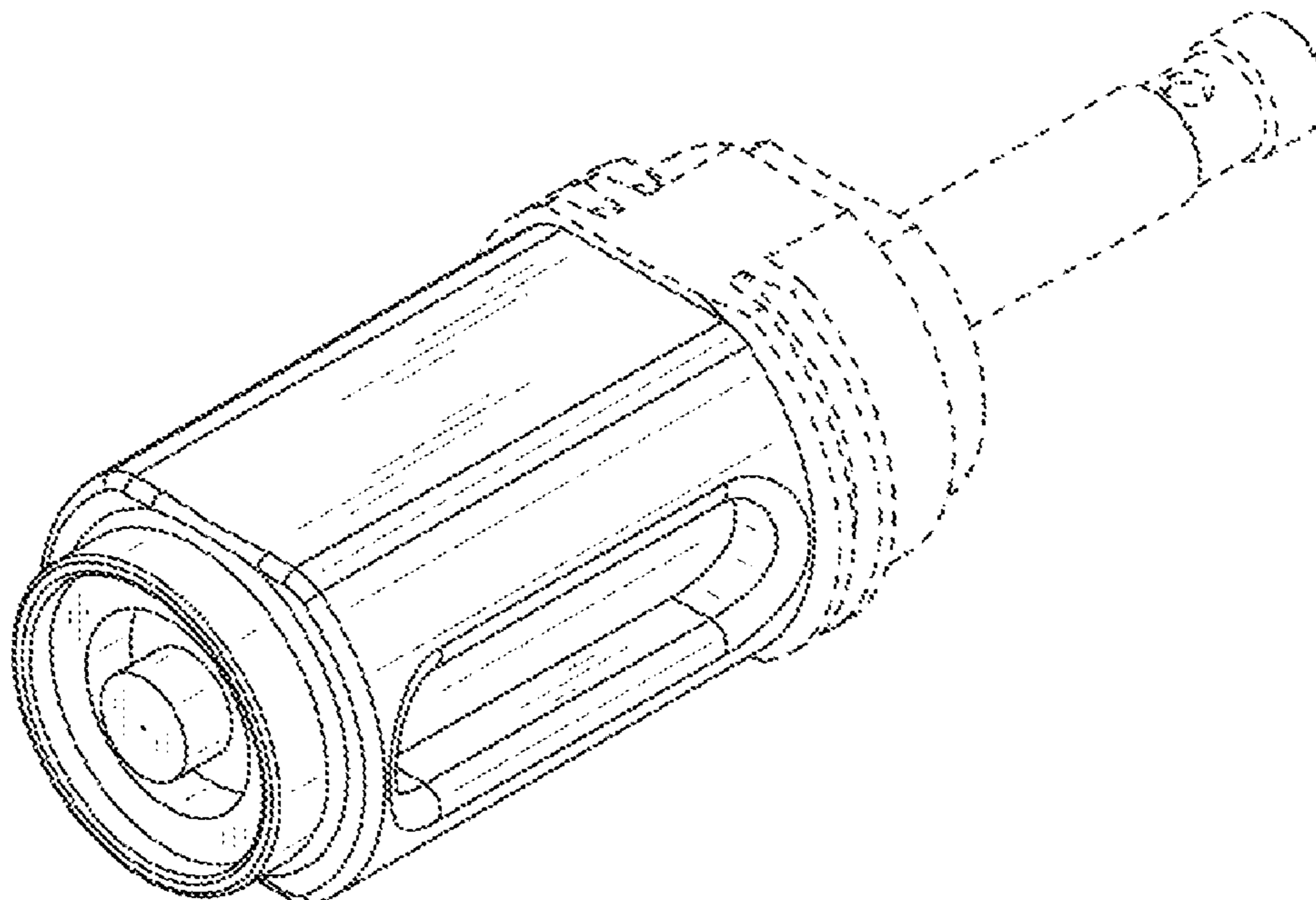
FIG. 7 is a right side elevational view thereof;

FIG. 8 is a left side elevational view thereof; and,

FIG. 9 is a top plan elevational view thereof.

The broken lines in the drawings depict portions that form no part of the claimed design.

1 Claim, 9 Drawing Sheets



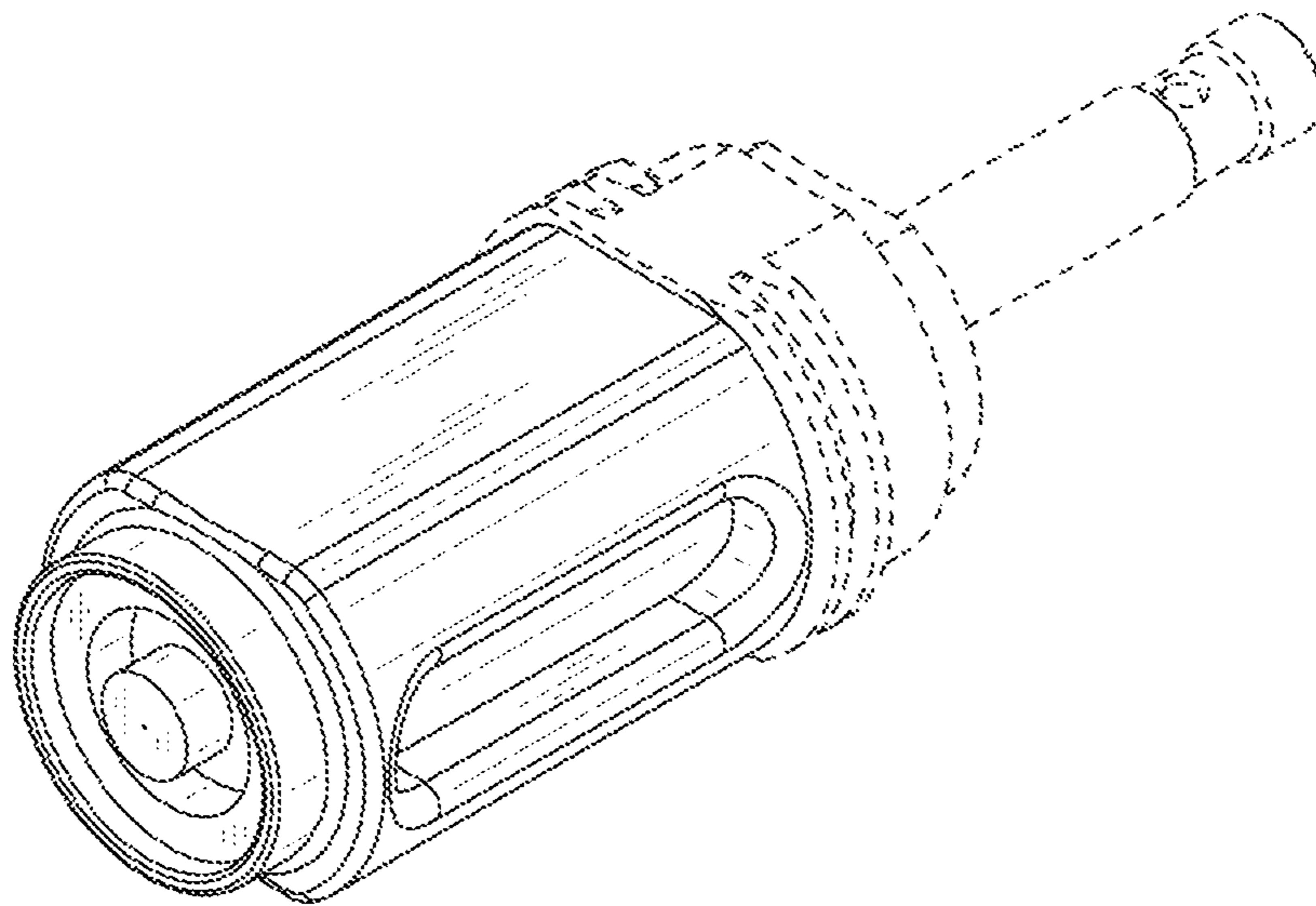


FIG. 1

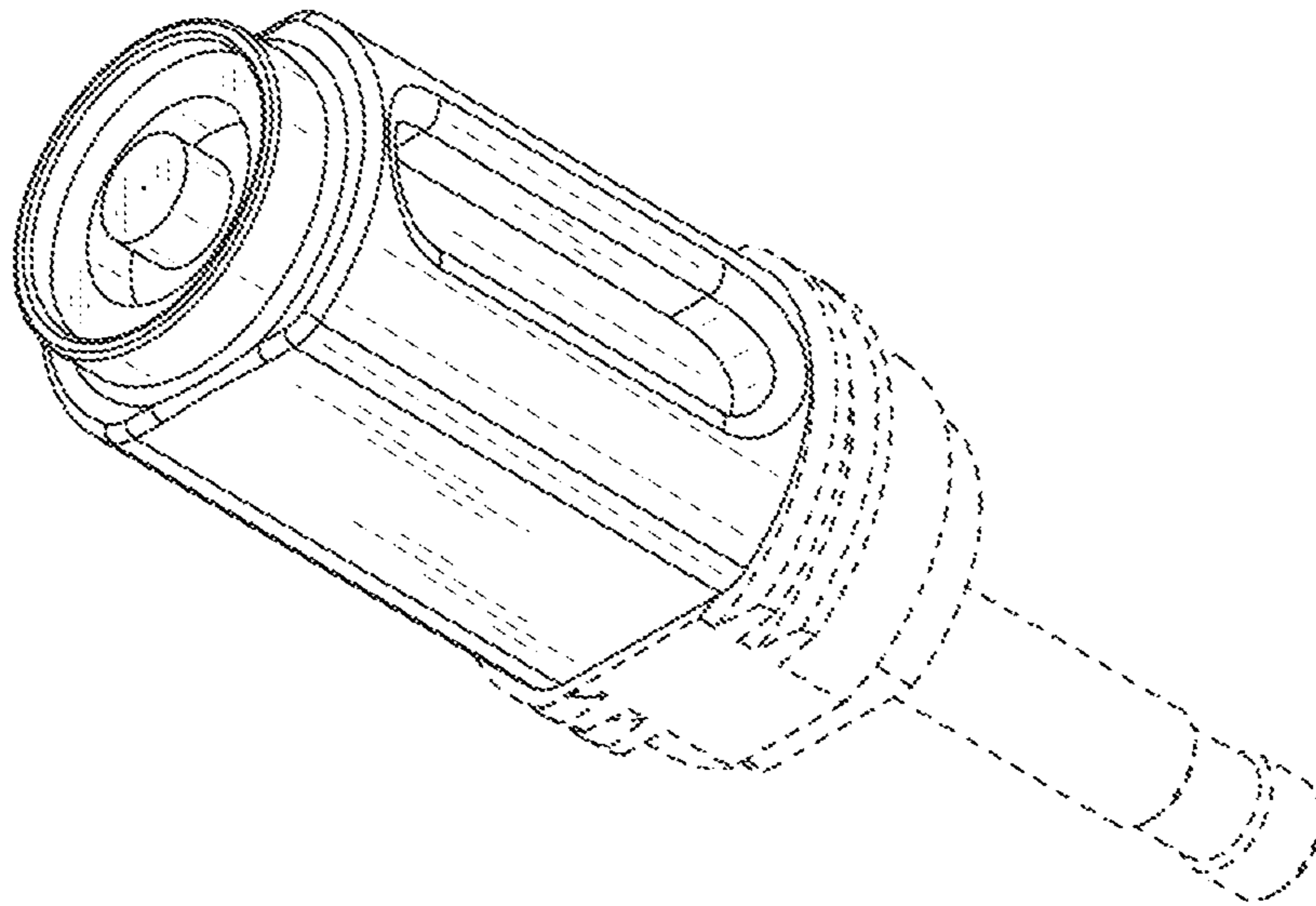


FIG. 2

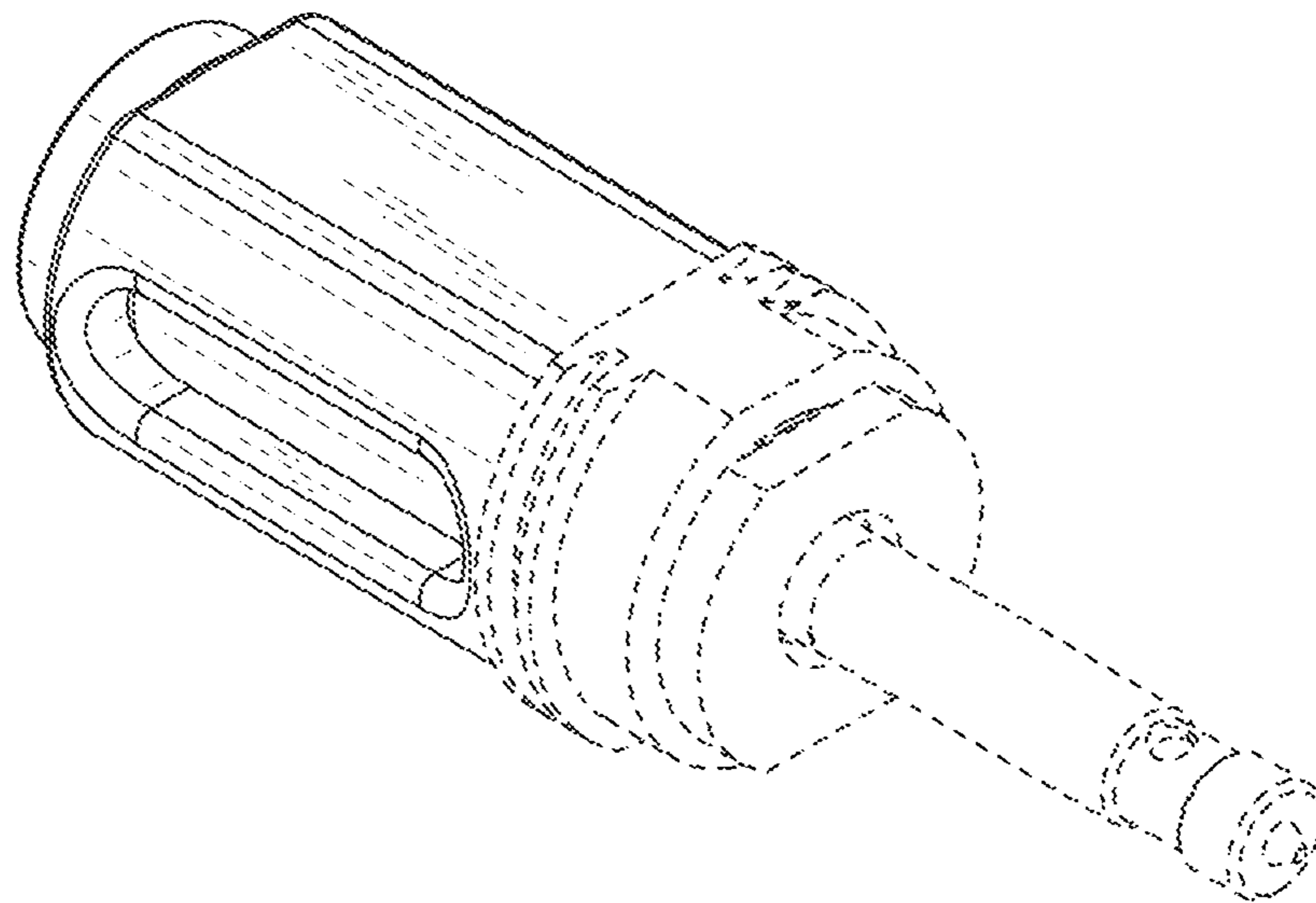


FIG. 3

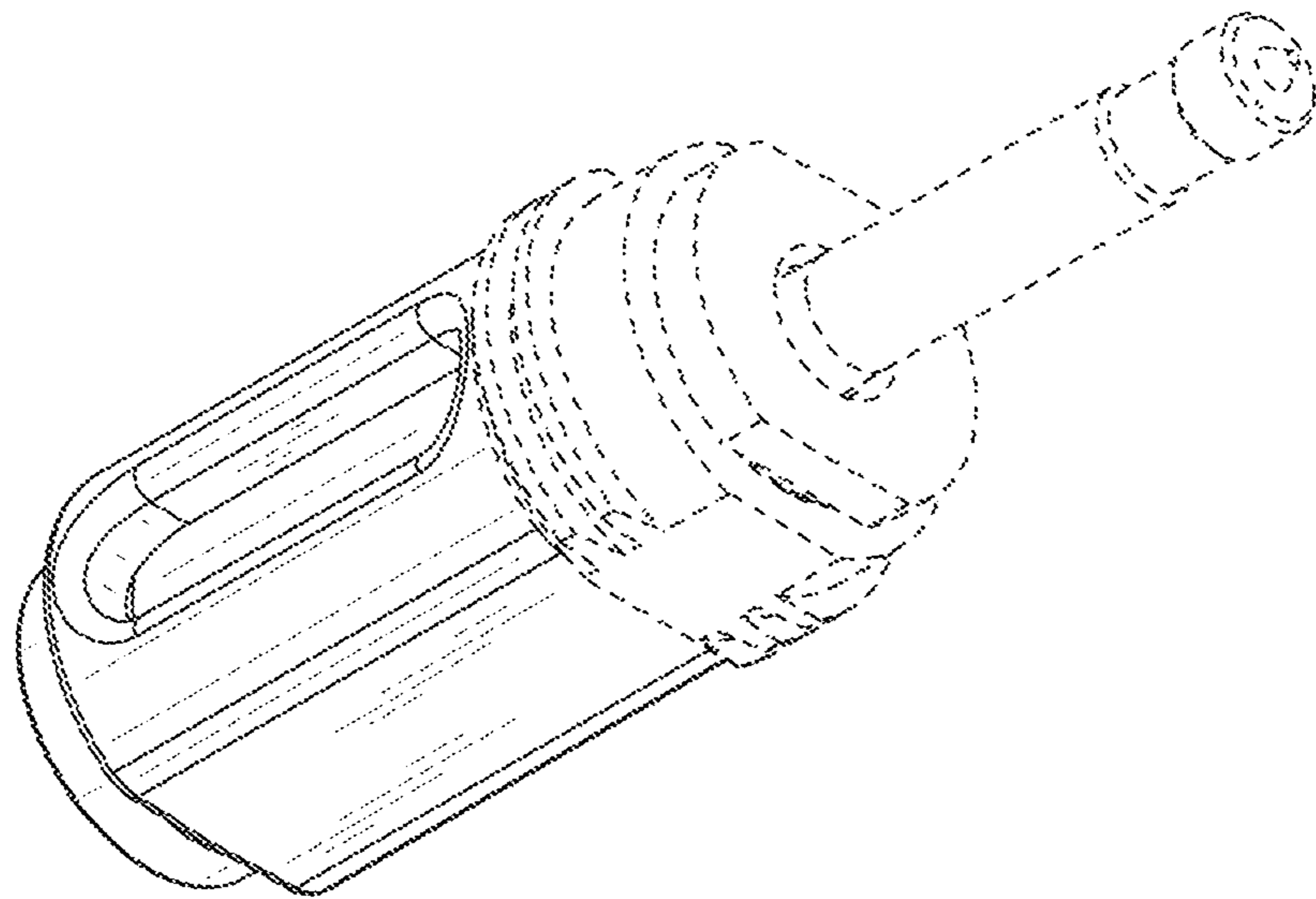


FIG. 4

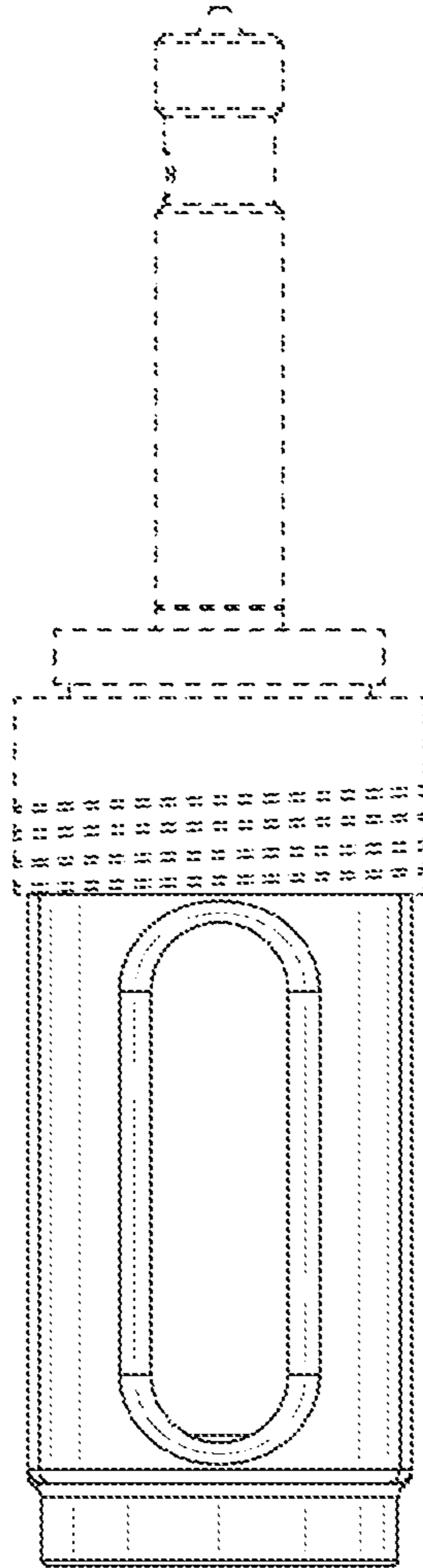


FIG. 5

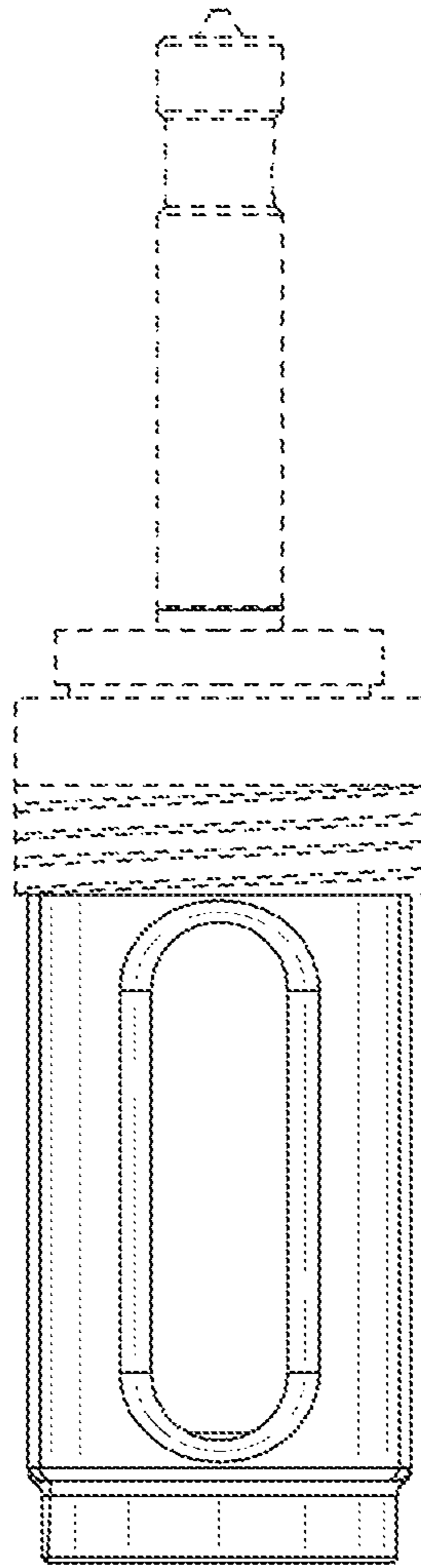


FIG. 6

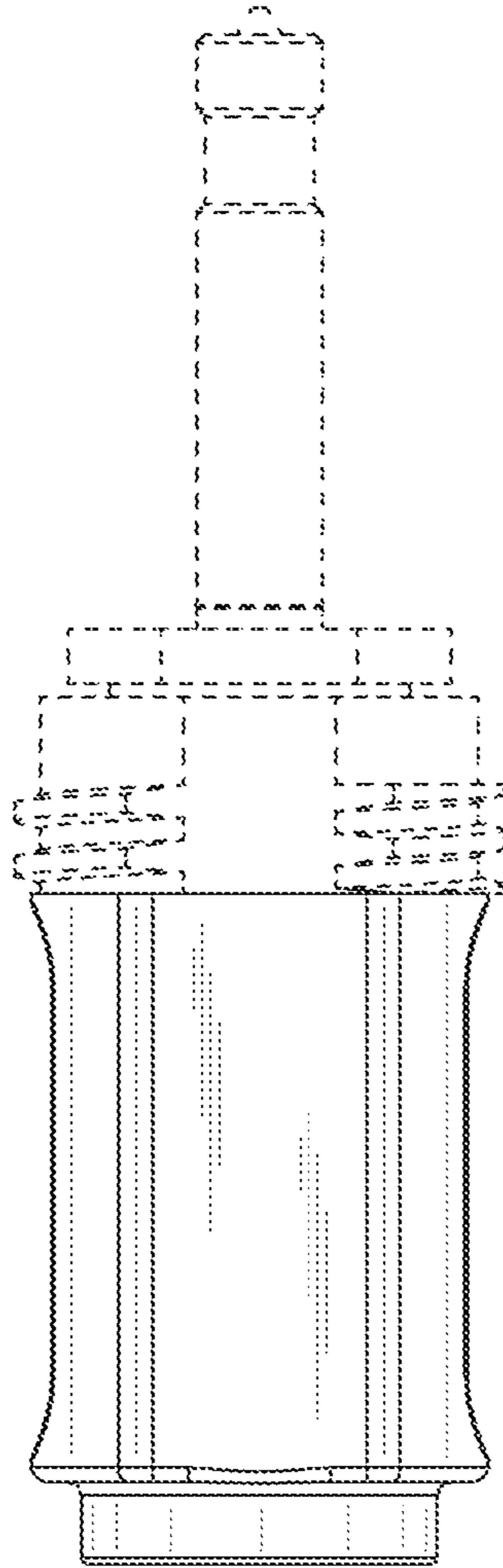


FIG. 7

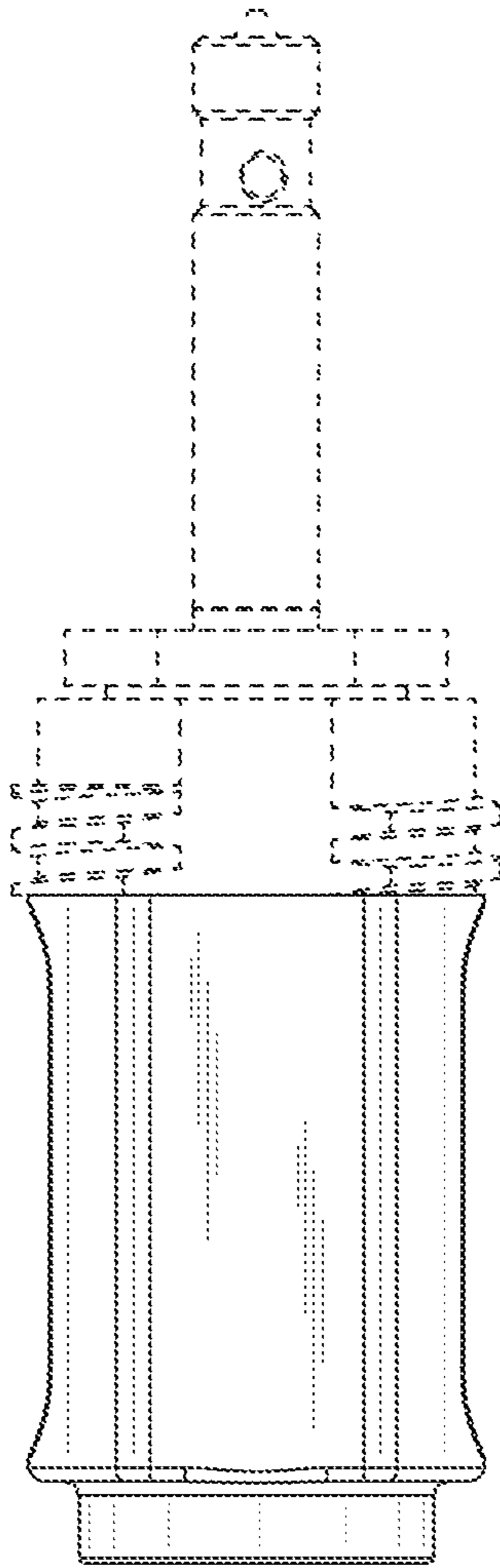


FIG. 8

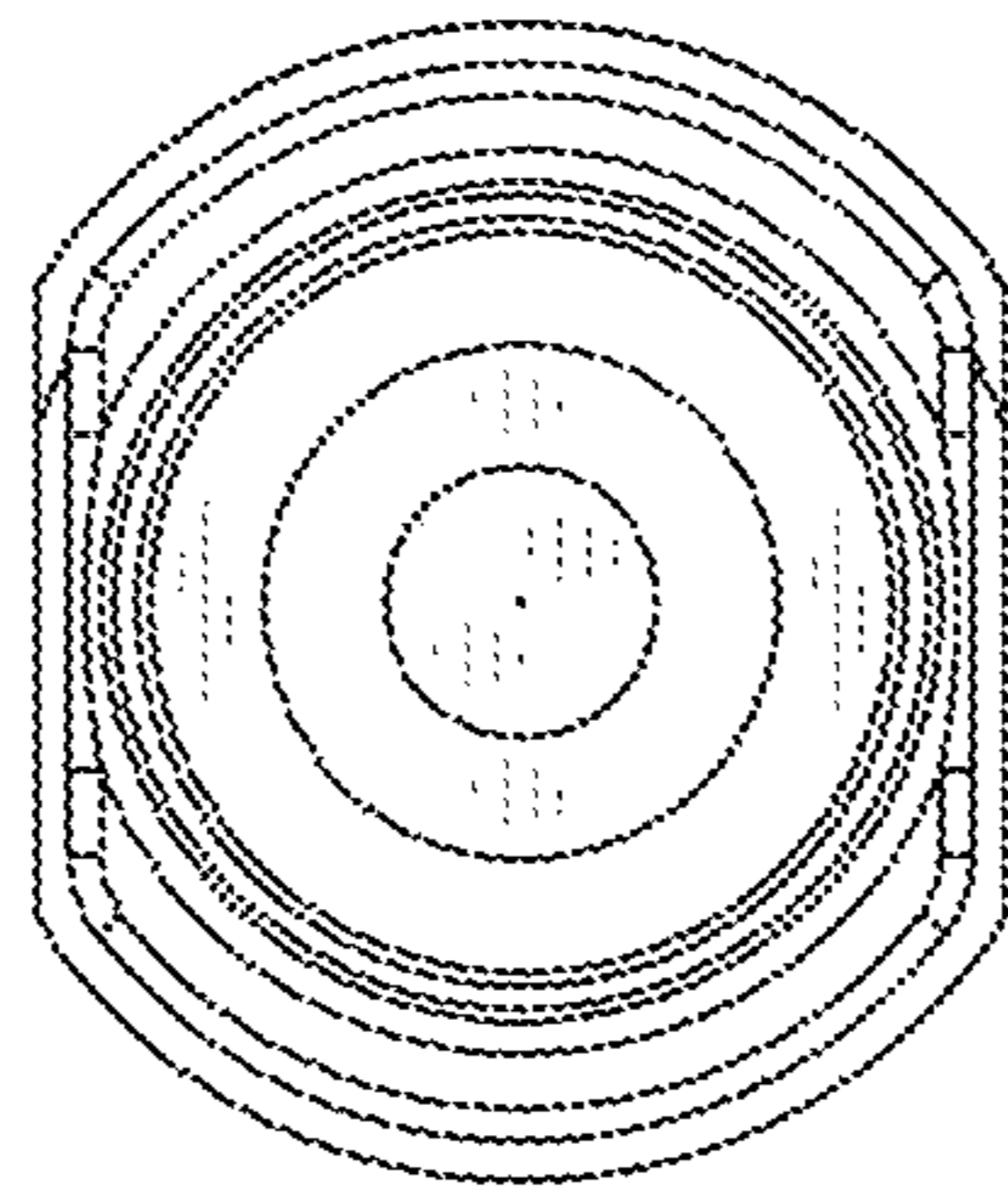


FIG. 9