



US00D984639S

(12) **United States Design Patent** (10) **Patent No.:** **US D984,639 S**
Fang (45) **Date of Patent:** **** Apr. 25, 2023**

(54) **CUFF CONNECTOR**
(71) Applicant: **Zejia Fang**, Guangdong (CN)
(72) Inventor: **Zejia Fang**, Guangdong (CN)
(**) Term: **15 Years**
(21) Appl. No.: **29/859,399**
(22) Filed: **Nov. 10, 2022**
(51) **LOC (14) Cl.** **24-02**
(52) **U.S. Cl.**
USPC **D24/129**
(58) **Field of Classification Search**
USPC D24/129, 127, 130, 112-114, 164, 165;
D23/262
CPC A61B 5/02; A61B 5/0205; A61B 5/021;
A61B 5/0214; A61M 39/00; A61M 39/10
See application file for complete search history.

D899,590 S 10/2020 Gulliver
D948,027 S 4/2022 Babbage
D964,558 S 9/2022 Lewis
2008/0139950 A1* 6/2008 Molnar A61B 5/022
600/499
2012/0161051 A1* 6/2012 Williams F16L 37/34
285/305
2018/0008813 A1* 1/2018 Ueda A61M 39/10

FOREIGN PATENT DOCUMENTS

CA 217630 * 1/2023

OTHER PUBLICATIONS

CM 3 Pcs Metal NIBP Cuff Connector. Amazon. Date first available: Apr. 16, 2020. Retrieval date: Feb. 8, 2023. Retrieved from internet: <https://www.amazon.com/CM-Metal-Connector-Pressure-Monitor/dp/B0876PFGK5> (Year: 2020).*

* cited by examiner

Primary Examiner — Daniel J Domino

Assistant Examiner — Lee D. Starr

(74) *Attorney, Agent, or Firm* — Rumit Ranjit Kanakia

(56) **References Cited**

U.S. PATENT DOCUMENTS

D284,222 S * 6/1986 Hamilton D24/129
D297,262 S * 8/1988 Sternweiler D24/112
D317,203 S * 5/1991 Walsh D24/115
5,014,716 A * 5/1991 Ogawa A61B 5/02141
137/861
D339,417 S * 9/1993 Sampson D24/129
D357,734 S * 4/1995 Mongeon D24/129
D368,304 S * 3/1996 Morrison D23/262
D488,866 S * 4/2004 O'Dell D24/129
D503,978 S * 4/2005 Beck D24/129
D602,128 S * 10/2009 Williams D23/262
D709,187 S 7/2014 Li
D773,659 S 12/2016 Cain
D783,815 S 4/2017 Lewis
D797,068 S 9/2017 Becker
D831,202 S 10/2018 Ratner
D845,475 S * 4/2019 Serfati D24/129
D865,954 S 11/2019 Mottola
D865,955 S 11/2019 Nishiyama
D876,229 S * 2/2020 Sacchetti D24/112

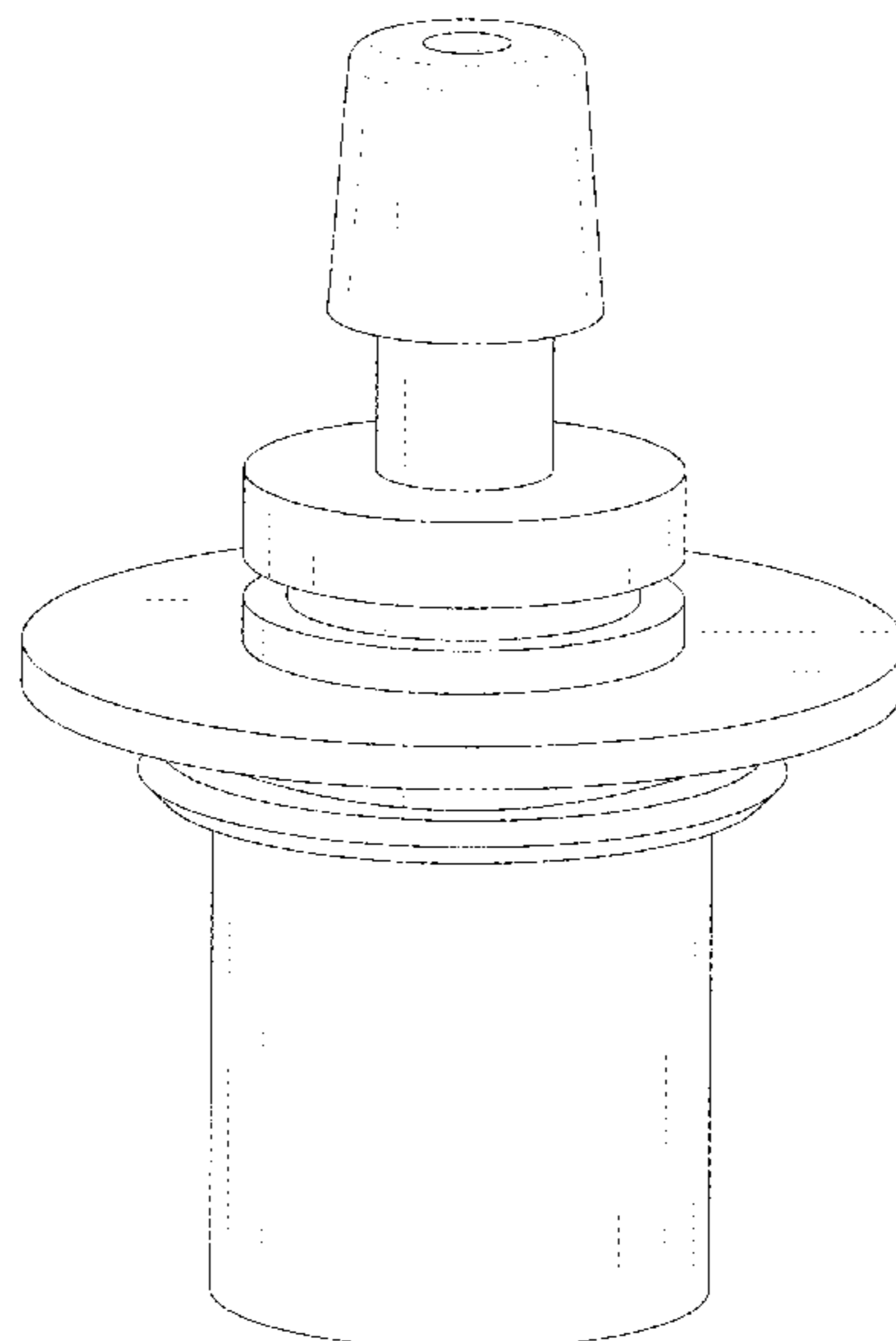
(57) **CLAIM**

The ornamental design for a cuff connector, as shown and described.

DESCRIPTION

FIG. 1 is a top perspective view of a cuff connector, showing my new design;
FIG. 2 is bottom perspective view thereof;
FIG. 3 is a front elevational view thereof, the rear elevational view, left side view and right side view are identical;
FIG. 4 is a top plan view thereof;
FIG. 5 is a bottom plan view thereof; and,
FIG. 6 is a sectional view of 6-6 along the line in FIG. 3.

1 Claim, 6 Drawing Sheets



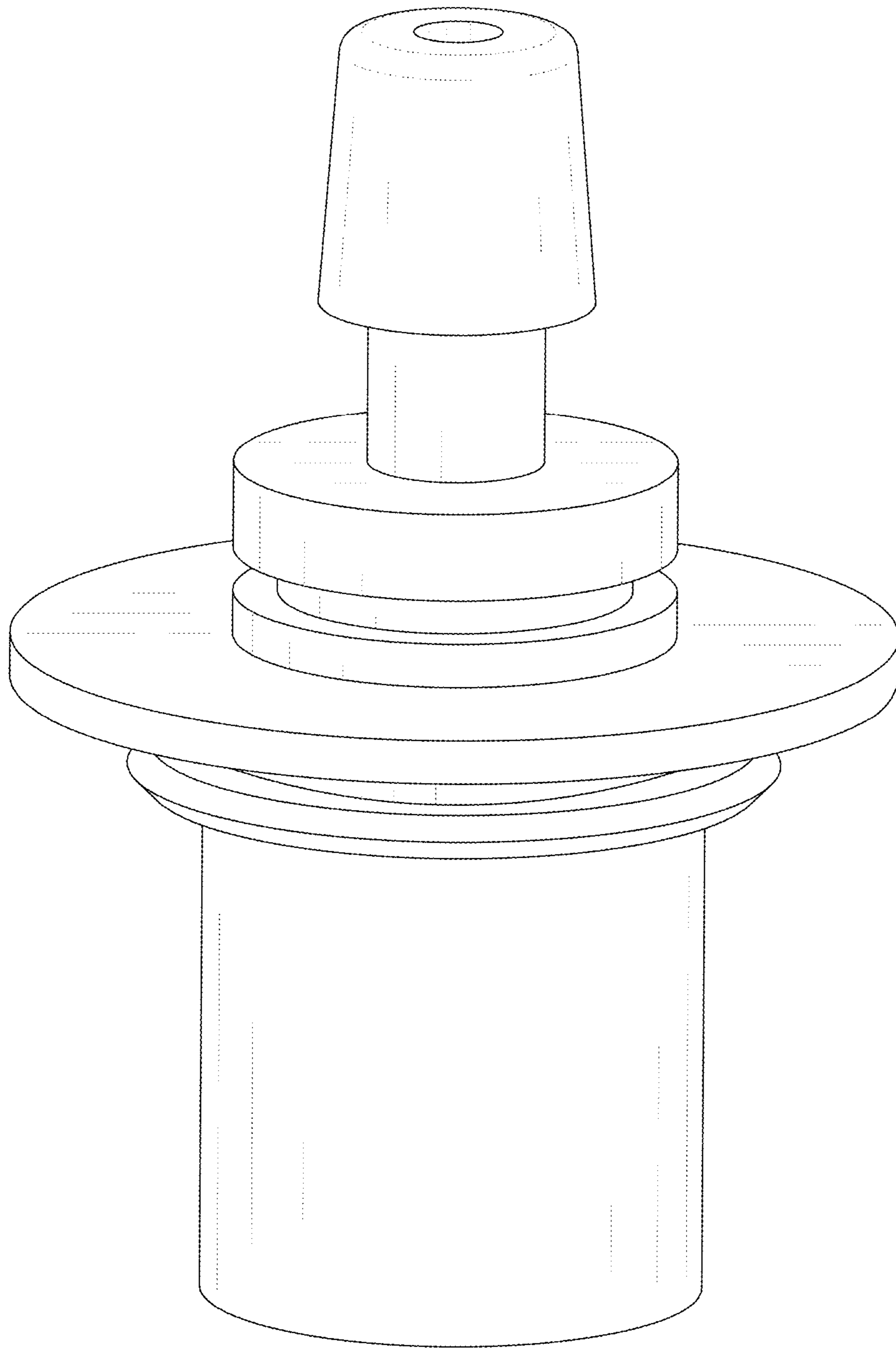


FIG. 1

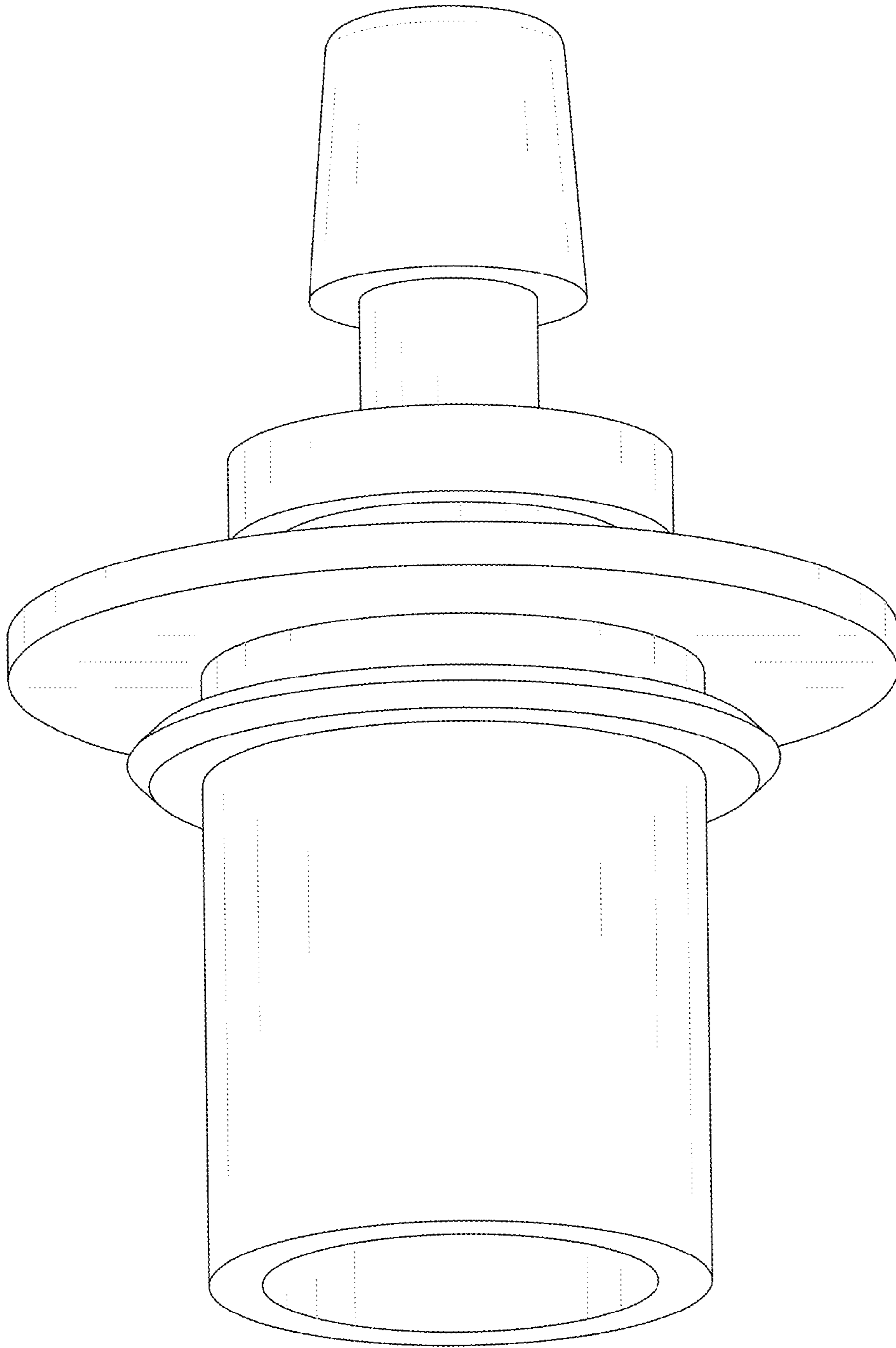


FIG. 2

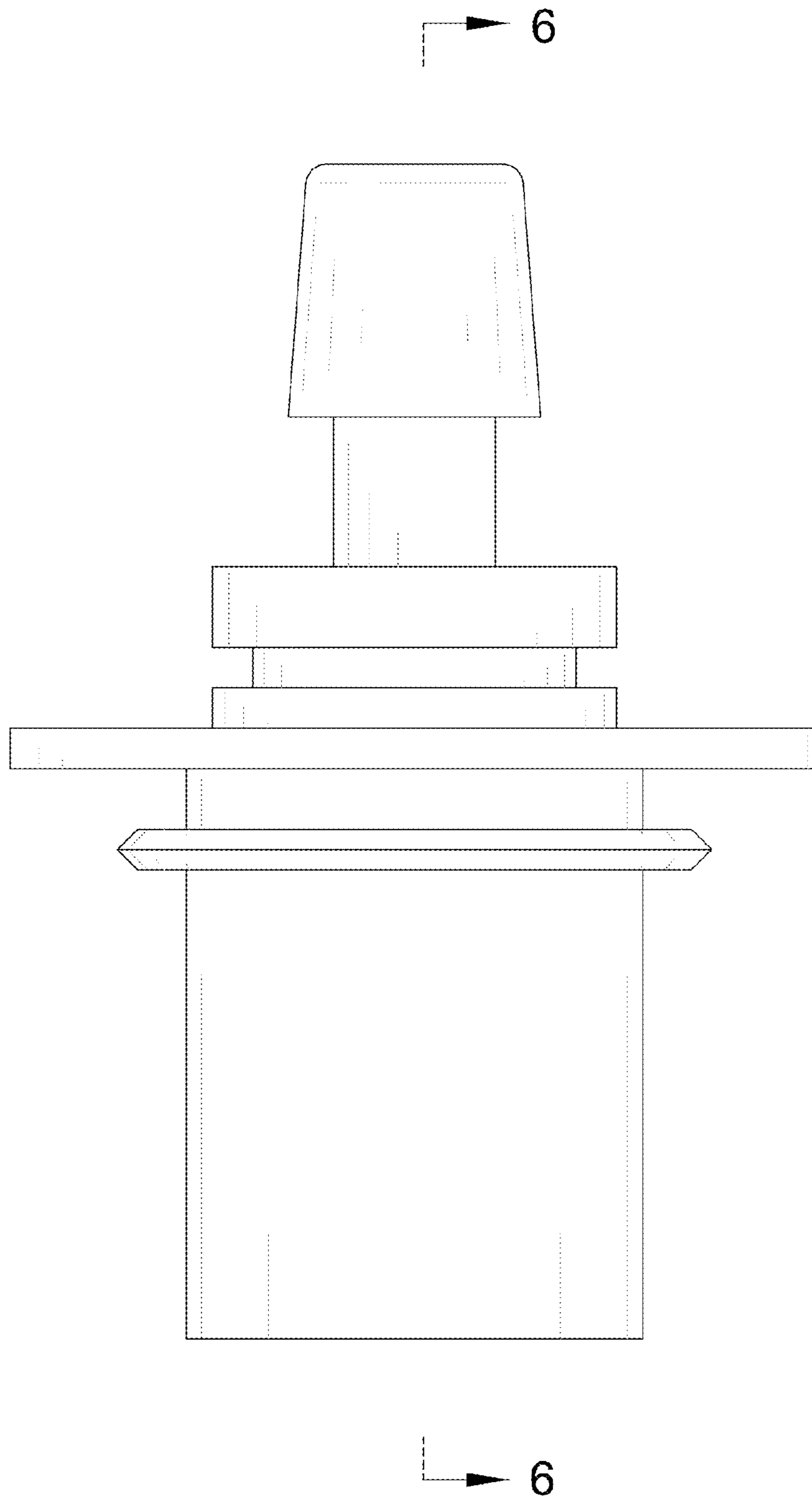


FIG.3



FIG. 4

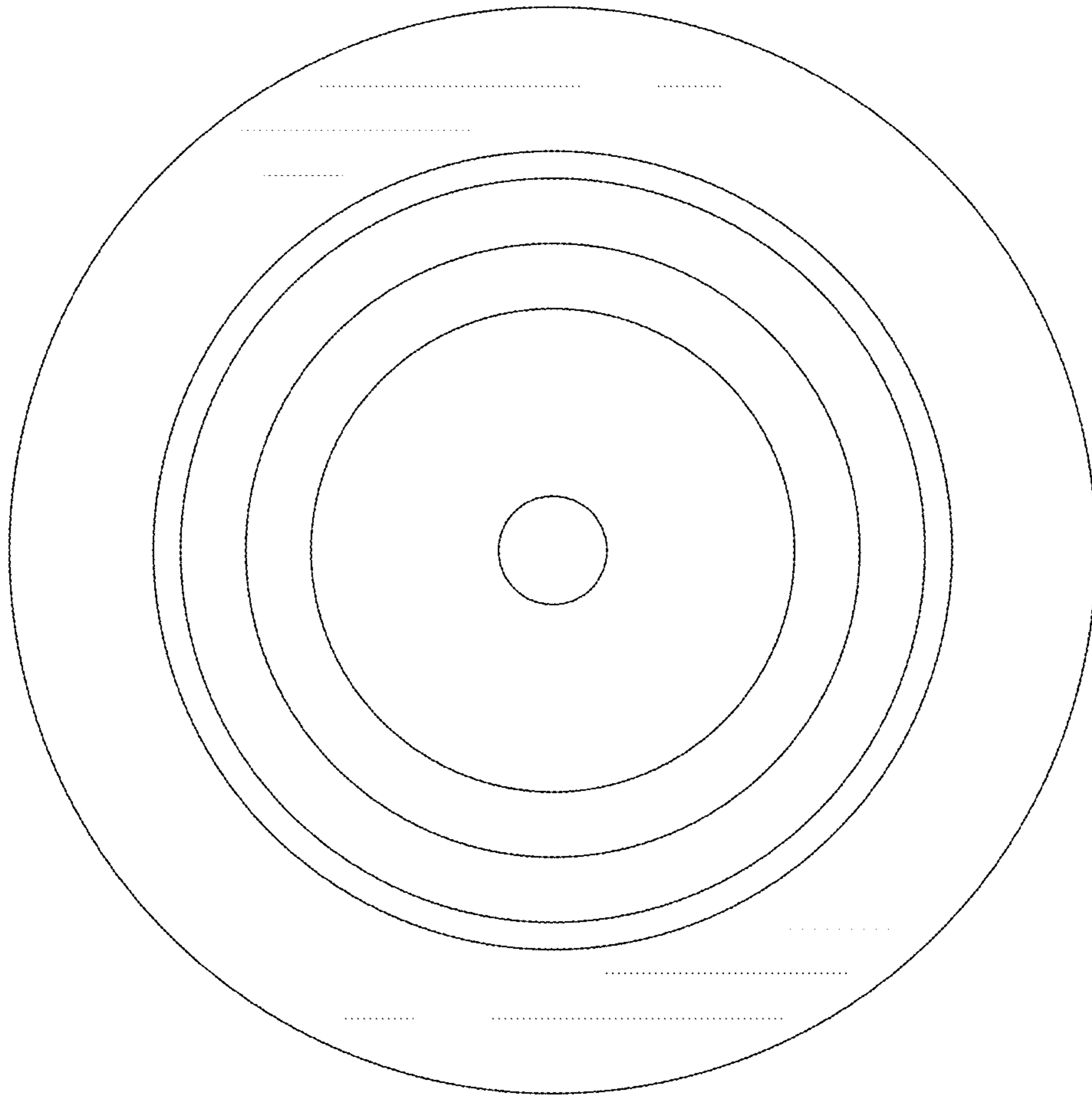


FIG. 5

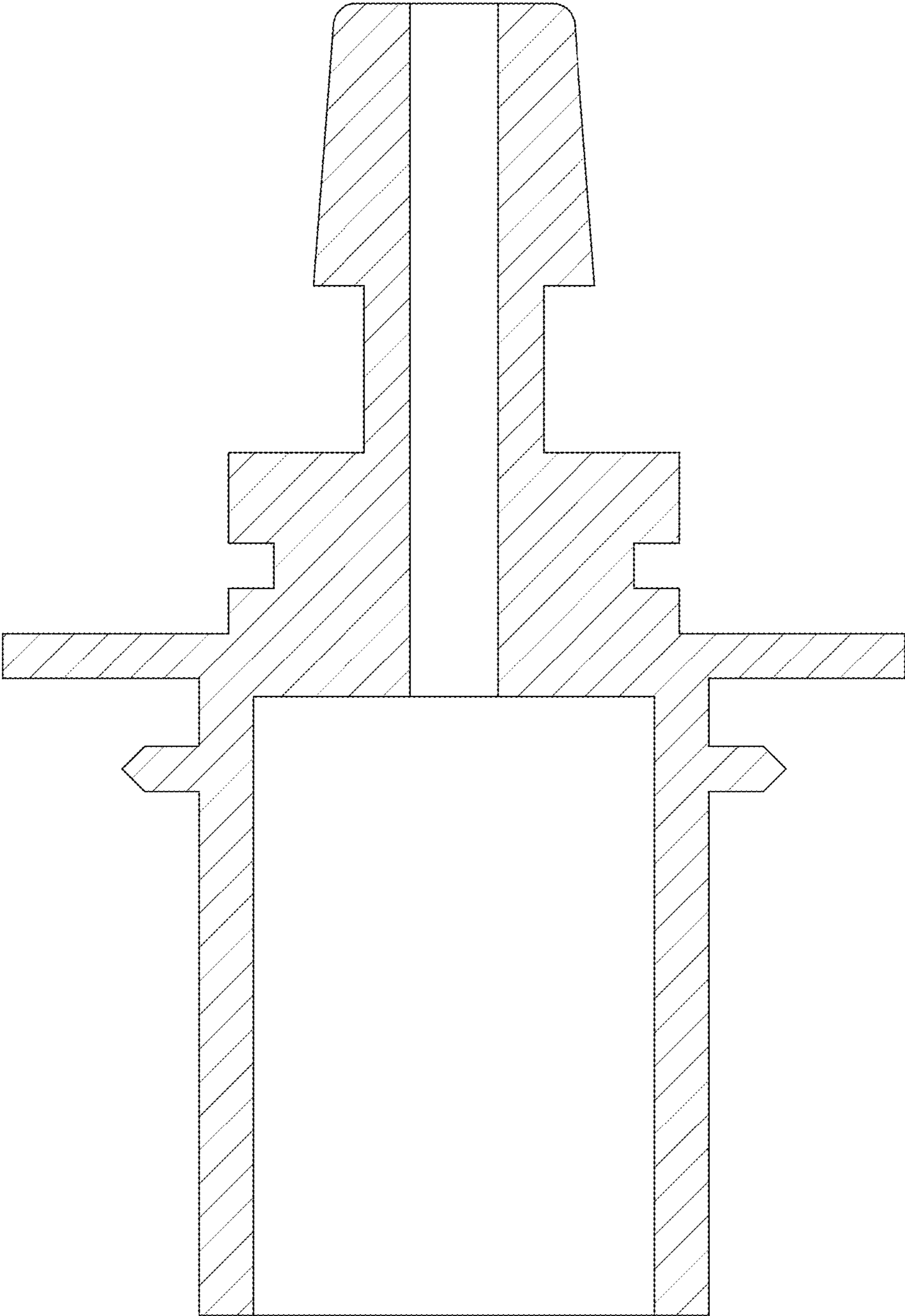


FIG. 6