



US00D984638S

(12) **United States Design Patent**
Doubet et al.

(10) **Patent No.:** **US D984,638 S**
(45) **Date of Patent:** **** Apr. 25, 2023**

(54) **SYRINGE ADAPTER FOR MEDICATION**

(71) Applicants: **James T. Doubet**, Parker, CO (US);
Paul D. Doubet, Farmington, IL (US)

(72) Inventors: **James T. Doubet**, Parker, CO (US);
Paul D. Doubet, Farmington, IL (US)

(**) Term: **15 Years**

(21) Appl. No.: **29/817,773**

(22) Filed: **Dec. 3, 2021**

Related U.S. Application Data

(60) Division of application No. 29/737,965, filed on Jun. 12, 2020, now Pat. No. Des. 940,309, which is a (Continued)

(51) **LOC (14) Cl.** **24-02**

(52) **U.S. Cl.**
USPC **D24/129**

(58) **Field of Classification Search**
USPC D24/127-131, 112-114, 133, 186;
606/181, 185; 604/264, 523-528, 272,
(Continued)

(56) **References Cited**

U.S. PATENT DOCUMENTS

2,752,919 A 7/1956 Gabriel
3,436,828 A 4/1969 Dragan
(Continued)

FOREIGN PATENT DOCUMENTS

EP 1923086 B1 4/2012
WO 2012/023955 A1 2/2012
WO 2017/091643 A1 6/2017

OTHER PUBLICATIONS

“List of Patents and/or Patent Applications to be Treated as Related”.
Dec. 22, 2021. 2 pages.

Primary Examiner — Nathan M Johnston

(74) *Attorney, Agent, or Firm* — Marcia L. Doubet

(57) **CLAIM**

We claim the ornamental design for a syringe adapter for medication, as shown and described.

DESCRIPTION

FIG. 1 is a perspective view of a syringe adapter, showing a first embodiment of our new design having a radial extension and a hexagonal element;

FIG. 2 is a front view thereof, the back view being identical thereto;

FIG. 3 is a top view thereof, the bottom view being identical thereto;

FIG. 4 is a left-side view thereof;

FIG. 5 is a right-side view thereof;

FIG. 6 is a perspective view of a syringe adapter, showing a second embodiment of our new design having a radial extension and a hexagonal element, and having a longer conical portion;

FIG. 7 is a front view thereof, the back view being identical thereto;

FIG. 8 is a top view thereof, the bottom view being identical thereto;

FIG. 9 is a left-side view thereof;

FIG. 10 is a right-side view thereof;

FIG. 11 is a perspective view of a syringe adapter, showing a third embodiment of our new design having a radial extension with a different diameter and a hexagonal element; FIG. 12 is a front view thereof, the back view being identical thereto;

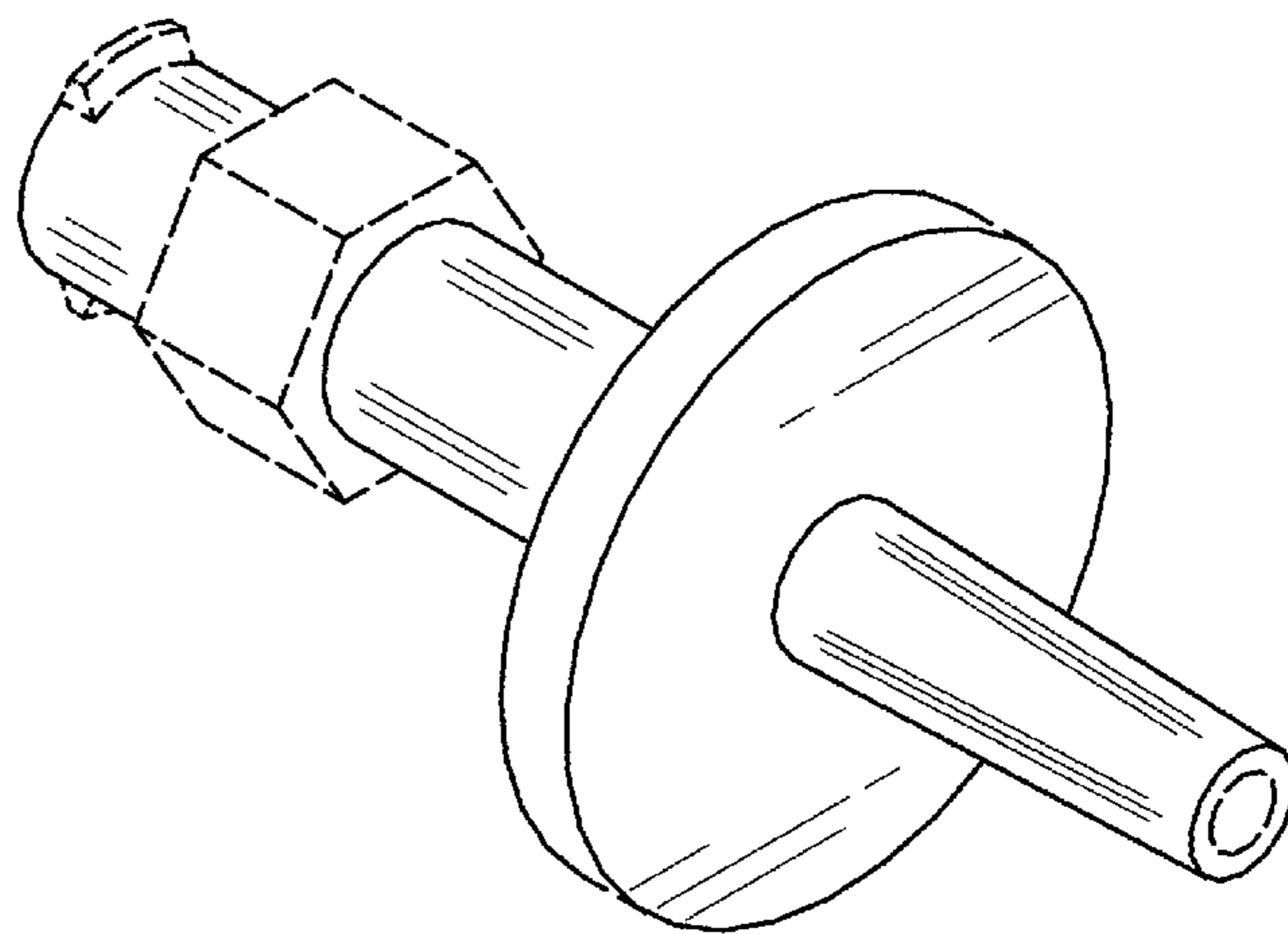
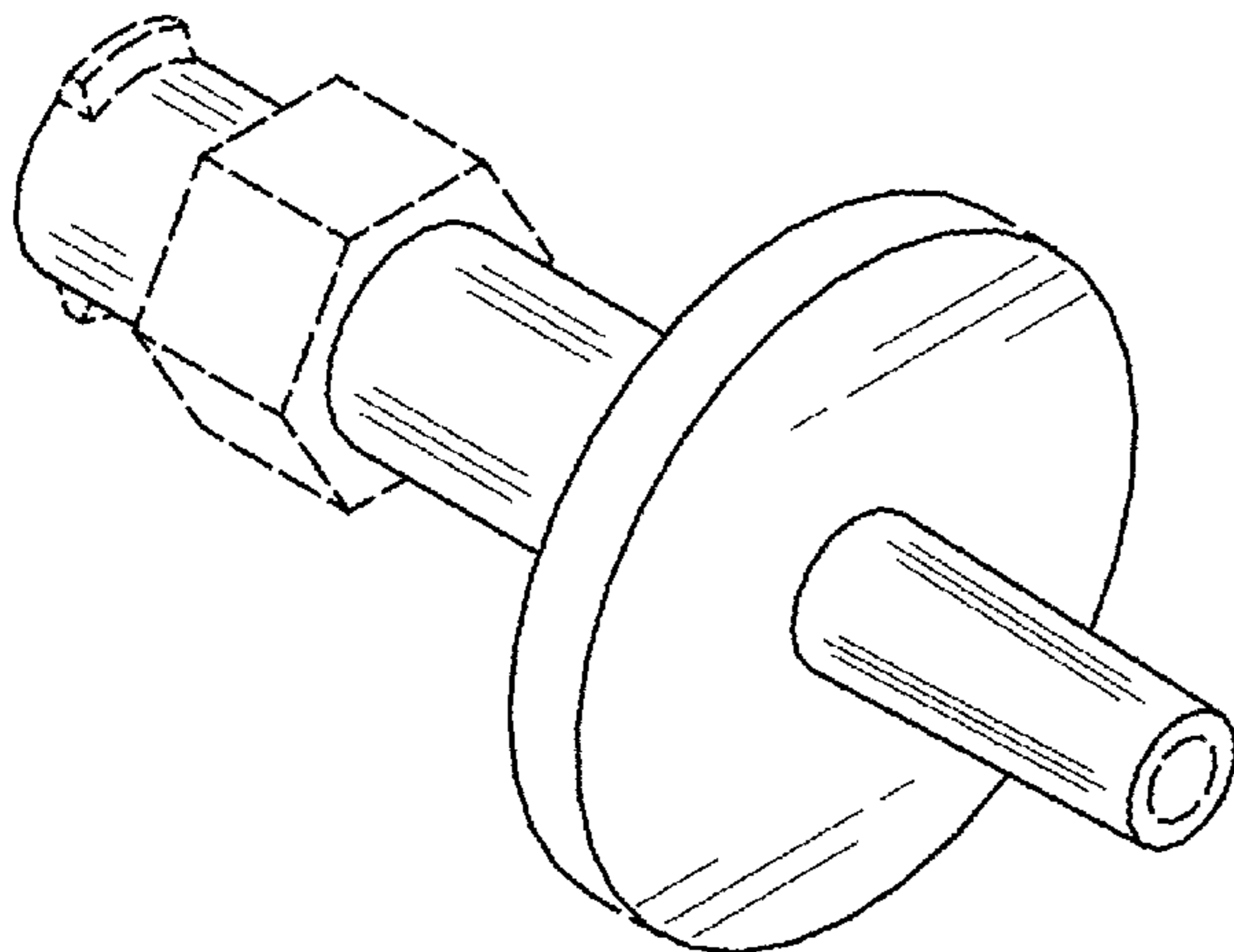
FIG. 13 is a top view thereof, the bottom view being identical thereto;

FIG. 14 is a left-side view thereof; and,

FIG. 15 is a right-side view thereof.

Features shown in the drawings using broken lines form no part of the claimed design.

1 Claim, 7 Drawing Sheets



Related U.S. Application Data

division of application No. 29/710,061, filed on Oct. 20, 2019, now Pat. No. Des. 890,925, which is a continuation of application No. 16/563,896, filed on Sep. 8, 2019, now abandoned, which is a continuation-in-part of application No. 16/166,111, filed on Oct. 21, 2018, now Pat. No. 11,097,058, said application No. 29/710,061 is a continuation-in-part of application No. 16/166,111, filed on Oct. 21, 2018, now Pat. No. 11,097,058, which is a continuation-in-part of application No. 16/010,155, filed on Jun. 15, 2018.

- (58) **Field of Classification Search**
 USPC 604/187, 158, 164.01–164.11, 181, 184, 604/227; 600/101, 139, 143; 128/200.24, 207.14, 207.15
 CPC A61J 1/2096; A61J 1/2048; A61J 1/1487; A61D 7/00; A61M 5/00
 See application file for complete search history.

(56) **References Cited**

U.S. PATENT DOCUMENTS

3,958,570 A 5/1976 Vogelman et al.
 4,046,145 A 9/1977 Choksi et al.
 4,127,126 A 11/1978 Schunk
 4,294,250 A 10/1981 Dennehey
 4,316,462 A 2/1982 Baker
 4,338,925 A 7/1982 Miller
 4,472,141 A 9/1984 Dragan
 4,664,655 A 5/1987 Orentreich et al.
 4,758,158 A 7/1988 Pierce et al.
 4,758,234 A 7/1988 Orentreich et al.
 D297,262 S * 8/1988 Sternweiler D24/112
 D297,365 S * 8/1988 Barnett D24/114
 4,787,891 A 11/1988 Levin et al.
 4,852,584 A * 8/1989 Selby B01L 3/00
 600/573
 D310,722 S * 9/1990 Broden D24/112
 D315,583 S 3/1991 Larson et al.
 D320,082 S * 9/1991 Wyatt D24/129
 5,047,021 A 9/1991 Utterberg
 5,195,985 A 3/1993 Hall
 D338,531 S * 8/1993 Howell D24/193
 5,322,510 A 6/1994 Lindner et al.
 D358,882 S 5/1995 Metz et al.
 D368,304 S 3/1996 Morrison
 D380,037 S 6/1997 Granthan
 D381,425 S 7/1997 Cesarini et al.
 D382,639 S * 8/1997 Musgrave D24/108
 5,733,258 A 3/1998 Lane
 5,746,733 A 5/1998 Capaccio et al.
 D395,502 S 6/1998 Deily et al.
 D413,967 S 9/1999 Yuen
 5,971,968 A 10/1999 Tu et al.
 6,117,113 A 9/2000 Novacek et al.
 D435,652 S * 12/2000 Nazarifar D23/262
 6,511,472 B1 1/2003 Hayman et al.
 D473,305 S 4/2003 Halseth
 D473,646 S * 4/2003 Baillargeon D24/129
 D474,839 S 5/2003 Francavilla et al.
 D483,861 S 12/2003 Law et al.
 D484,593 S * 12/2003 Baillargeon D24/129
 D485,616 S 1/2004 Baillargeon et al.
 D489,819 S 5/2004 Ford
 6,787,568 B1 9/2004 Mihalik
 6,790,867 B2 9/2004 Kohan et al.
 6,981,618 B2 1/2006 Reisinger
 D517,667 S 3/2006 Sener et al.
 D529,603 S * 10/2006 Knickerbocker D24/110

7,347,458 B2 3/2008 Rome et al.
 7,472,932 B2 1/2009 Weber et al.
 7,682,343 B2 3/2010 Westbye
 7,699,609 B2 4/2010 Lawter et al.
 D617,429 S * 6/2010 Govoni D23/262
 7,811,251 B2 10/2010 Wenchell et al.
 8,034,845 B2 10/2011 Freehauf et al.
 8,044,102 B2 10/2011 Kohan et al.
 D671,639 S * 11/2012 Trifilio D24/128
 D672,052 S * 12/2012 Bucher D24/224
 D693,923 S * 11/2013 Hernandez D24/129
 8,631,795 B1 1/2014 McMurray
 D709,187 S * 7/2014 Li A61M 39/12
 D24/129
 D714,935 S 10/2014 Nishioka et al.
 D716,916 S 11/2014 Snow
 8,961,490 B2 * 2/2015 Musani A61B 17/3496
 604/415
 D728,780 S 5/2015 Pieroni et al.
 D728,781 S 5/2015 Pierson et al.
 D731,065 S * 6/2015 Winter D24/162
 D731,647 S 6/2015 Nishioka et al.
 D736,915 S 8/2015 Schultz
 D739,523 S * 9/2015 Booth D24/110
 9,295,788 B2 3/2016 Green
 D757,233 S 5/2016 Vaz et al.
 D760,376 S 6/2016 Korneliussen et al.
 D773,659 S * 12/2016 Cain D24/129
 D777,888 S 1/2017 Vaz et al.
 D799,032 S 10/2017 Becker
 D811,586 S * 2/2018 Bureau D24/112
 D816,211 S 4/2018 Guala
 D818,580 S 5/2018 Khabiri et al.
 D823,460 S 7/2018 Raghuvver et al.
 D825,737 S * 8/2018 Yokoyama D24/108
 D831,202 S * 10/2018 Ratner D24/129
 D841,499 S 2/2019 Drewes et al.
 D851,240 S * 6/2019 Baid A61M 5/165
 D24/112
 D851,759 S 6/2019 Jones et al.
 D865,954 S 11/2019 Mottola et al.
 D873,997 S * 1/2020 Ljunglof D24/130
 D884,888 S 5/2020 Doubet et al.
 D890,025 S 7/2020 Doubet et al.
 10,709,850 B2 7/2020 Doubet et al.
 D925,034 S 7/2021 Doubet et al.
 D925,733 S 7/2021 Doubet et al.
 11,071,834 B2 7/2021 Doubet et al.
 11,090,444 B2 8/2021 Doubet et al.
 11,097,058 B2 8/2021 Doubet et al.
 11,173,257 B2 11/2021 Doubet et al.
 2002/0099360 A1 * 7/2002 Bierman A61M 39/10
 604/523
 2002/0133124 A1 9/2002 Leinsing et al.
 2002/0173753 A1 11/2002 Caizza et al.
 2003/0236501 A1 12/2003 Donnan et al.
 2004/0039365 A1 2/2004 Aramata et al.
 2004/0068266 A1 4/2004 Delmotte
 2006/0270996 A1 11/2006 Fojtik
 2007/0060898 A1 3/2007 Shaughnessy et al.
 2007/0203451 A1 8/2007 Murakami et al.
 2008/0188816 A1 8/2008 Shimazaki et al.
 2008/0287884 A1 11/2008 Warden et al.
 2009/0182284 A1 7/2009 Morgan
 2009/0227894 A1 9/2009 Fojtik
 2010/0249650 A1 9/2010 Hikawa et al.
 2011/0028909 A1 2/2011 Lum et al.
 2012/0184938 A1 7/2012 Lev et al.
 2013/0018354 A1 1/2013 Sund et al.
 2013/0178806 A1 7/2013 Felix-Faure et al.
 2013/0331810 A1 12/2013 Bazala et al.
 2014/0066840 A1 3/2014 Mantell
 2014/0261860 A1 9/2014 Heath et al.
 2018/0344570 A1 12/2018 Davis et al.

* cited by examiner

FIG. 1

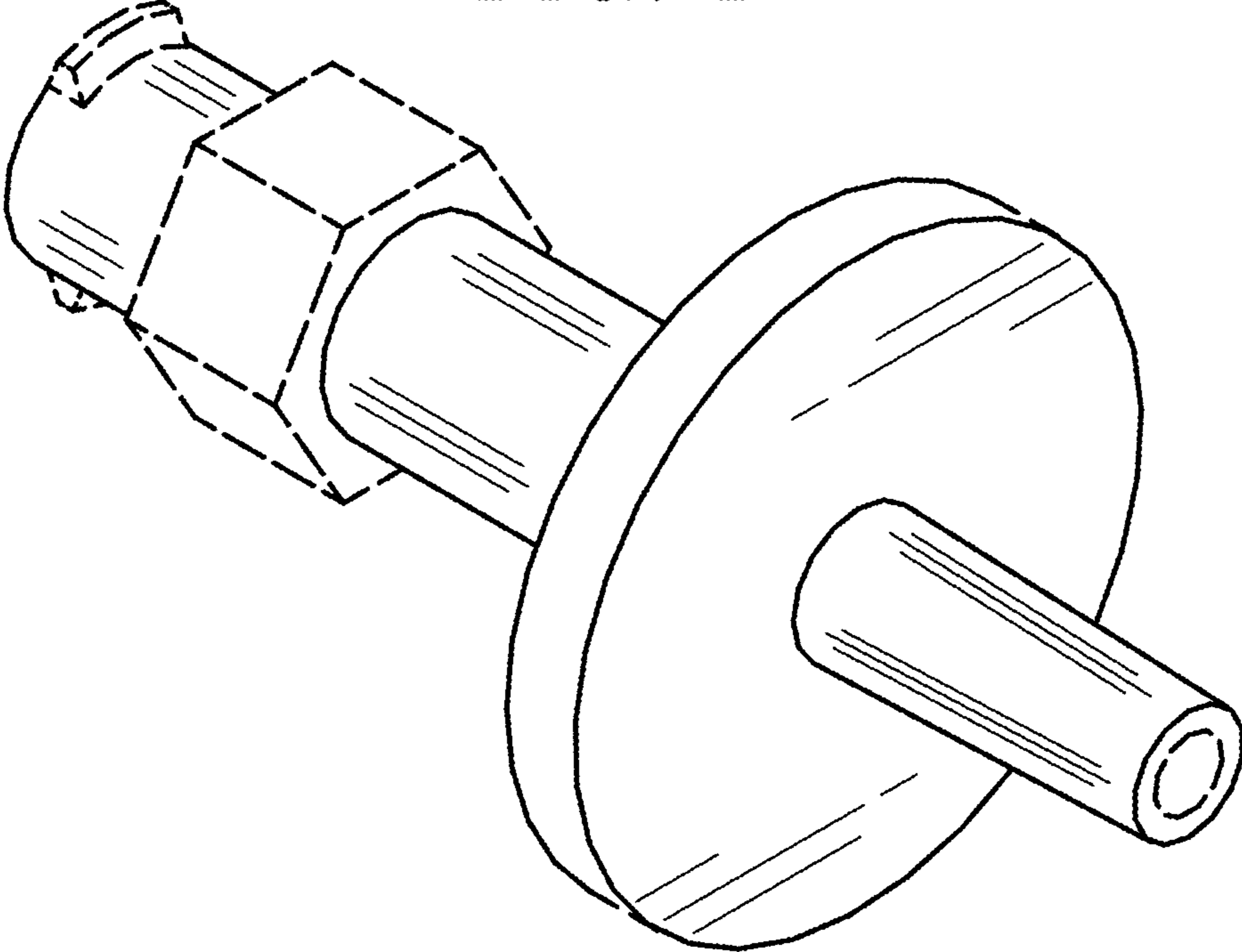


FIG. 2

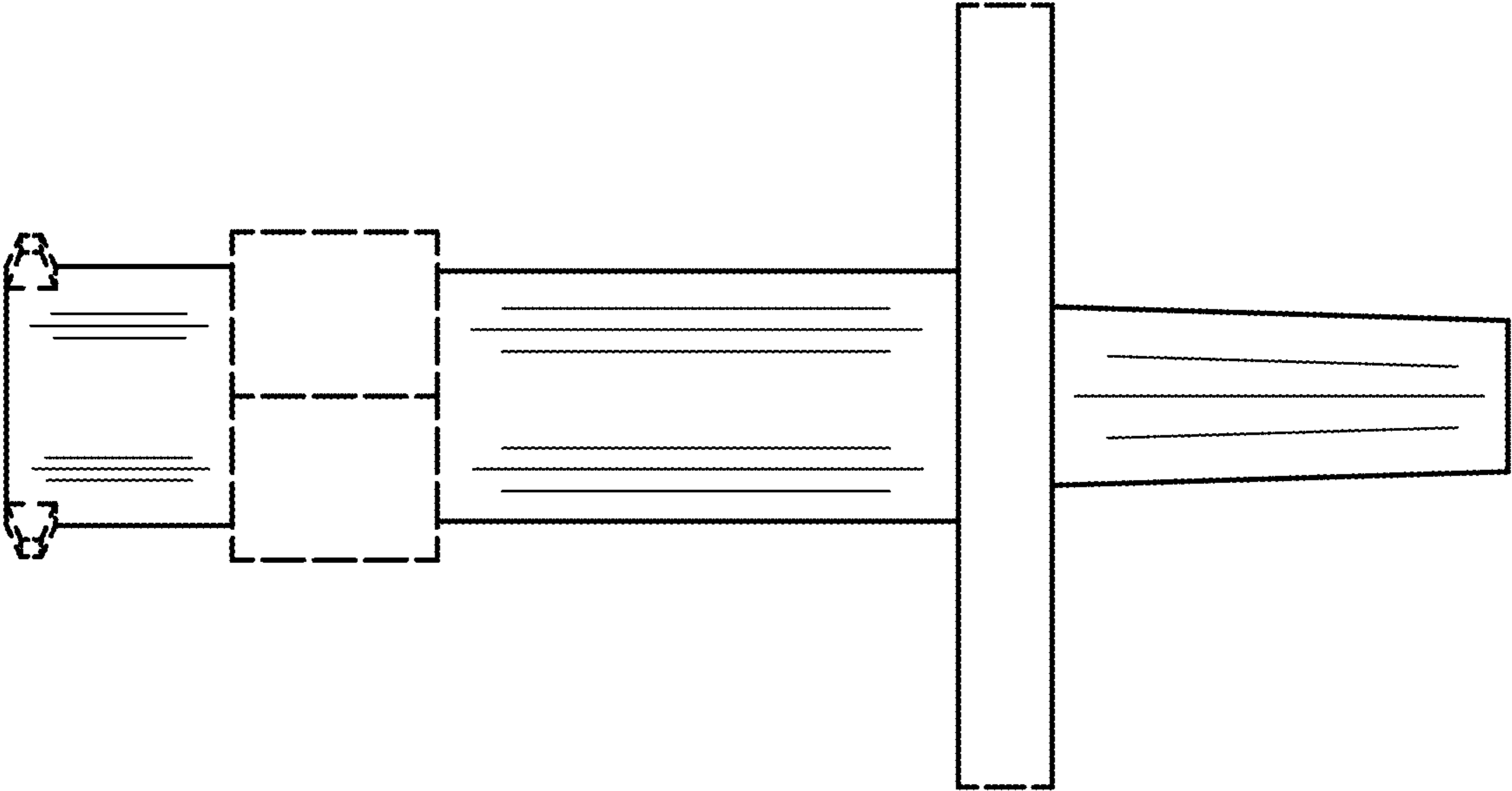


FIG. 3

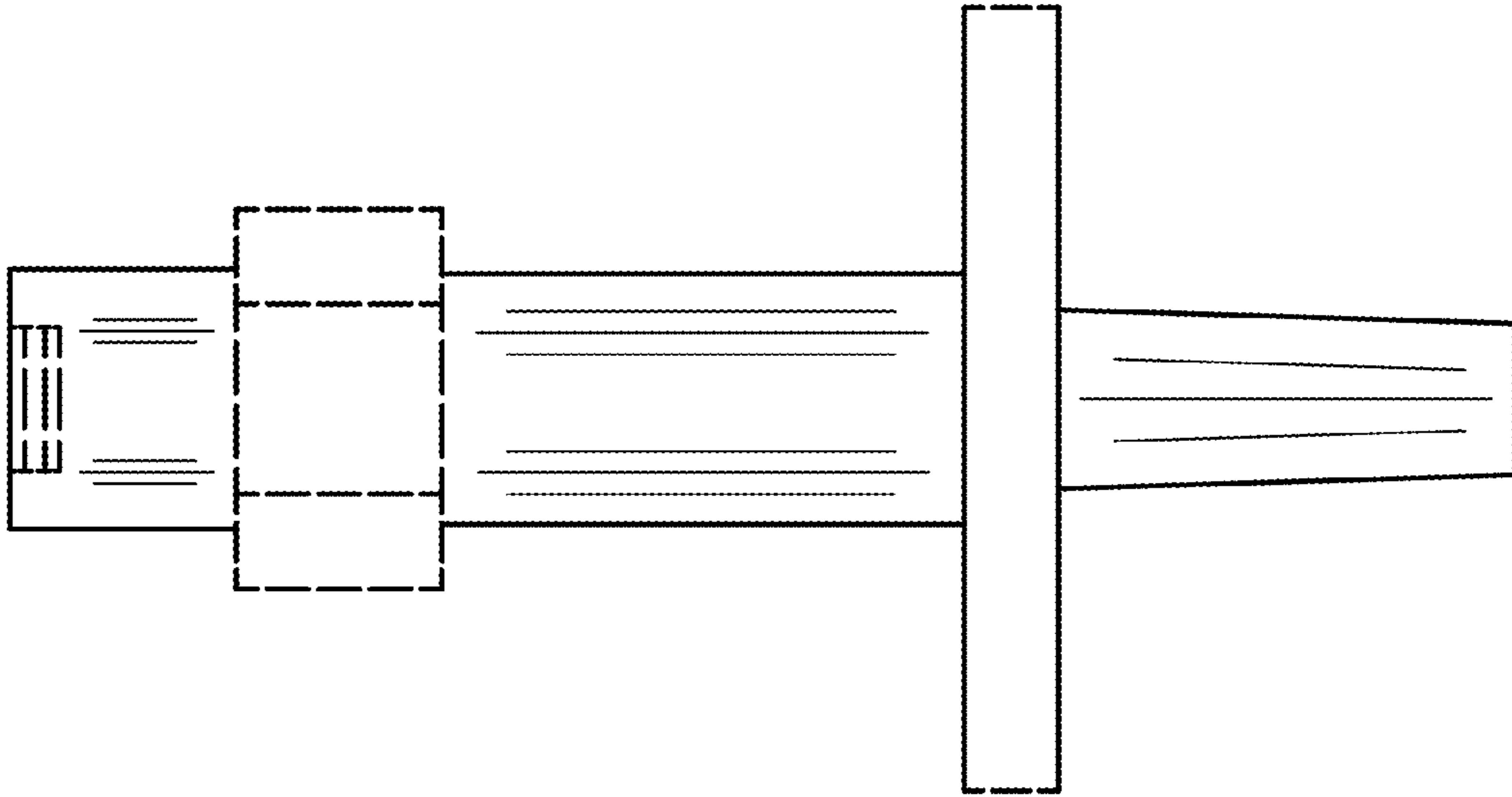


FIG. 4

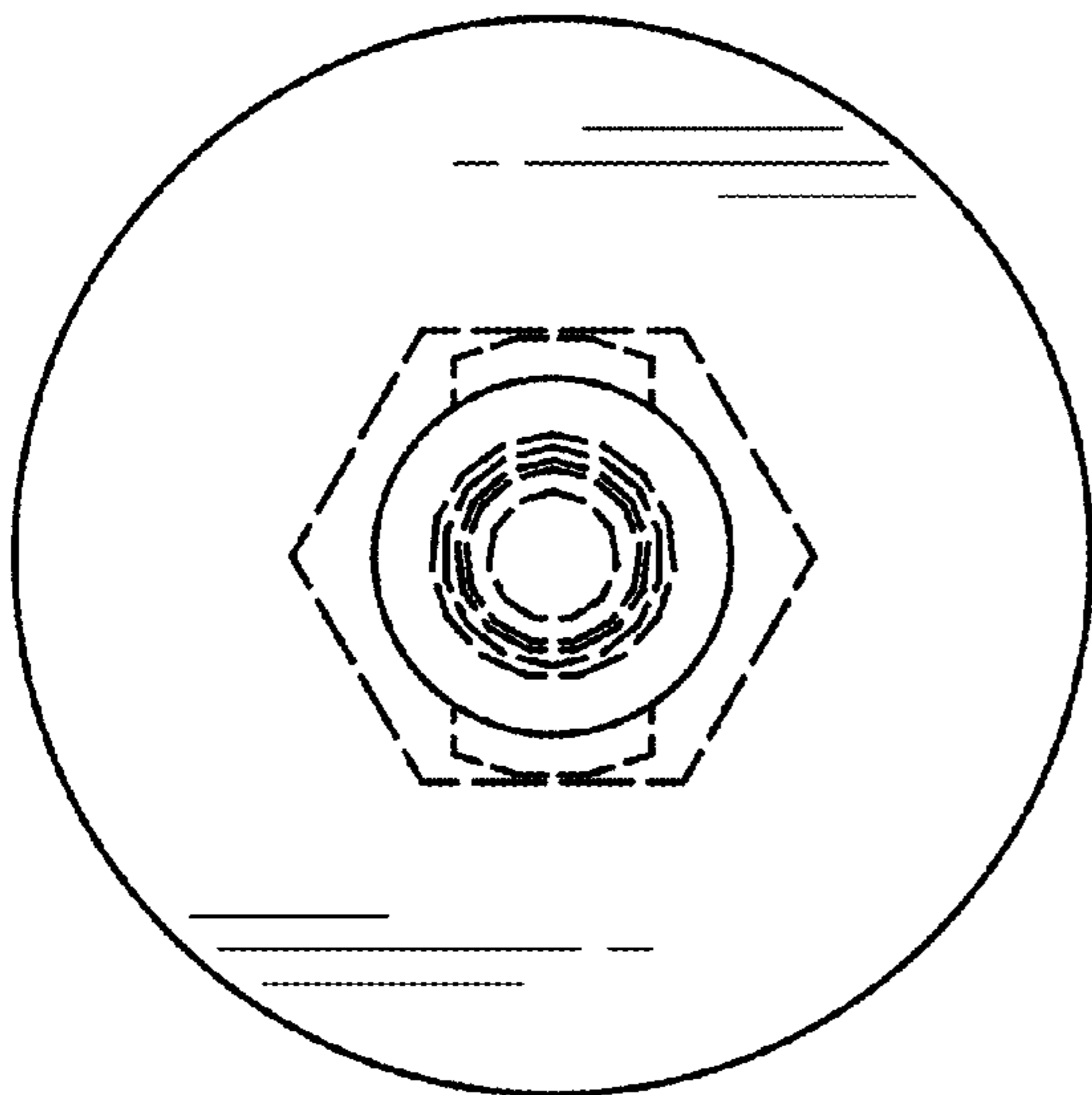


FIG. 5

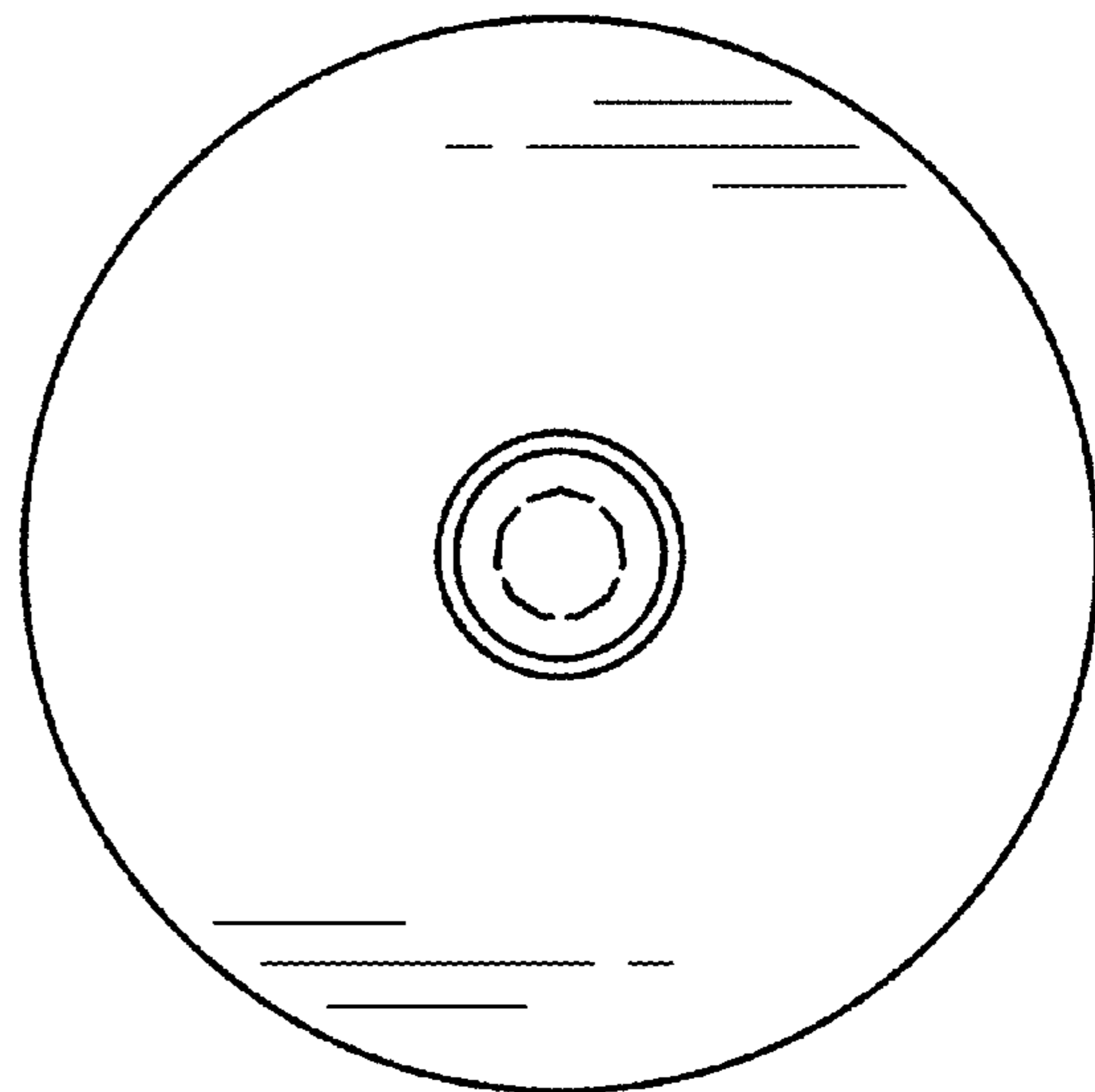


FIG. 6

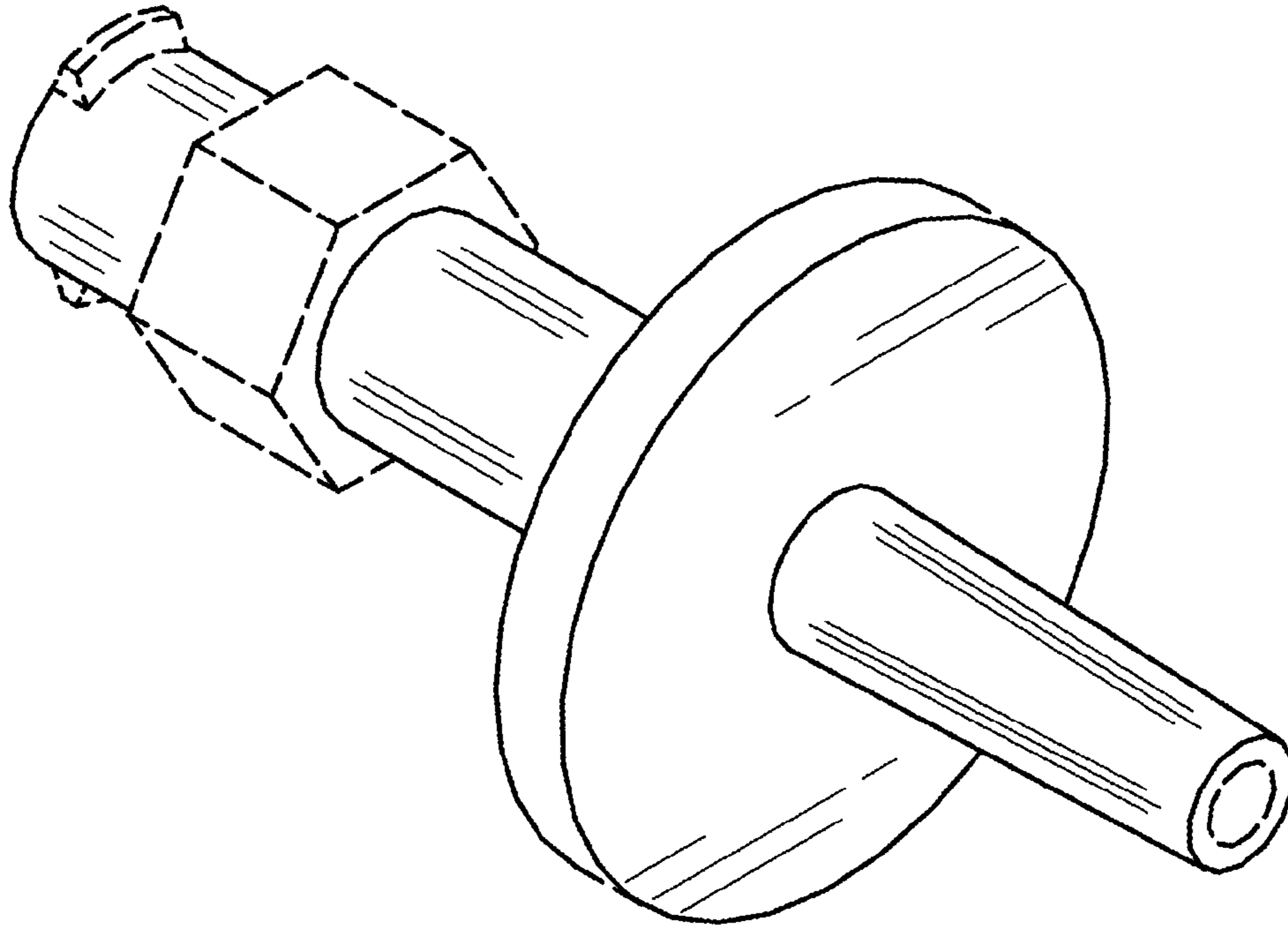


FIG. 7

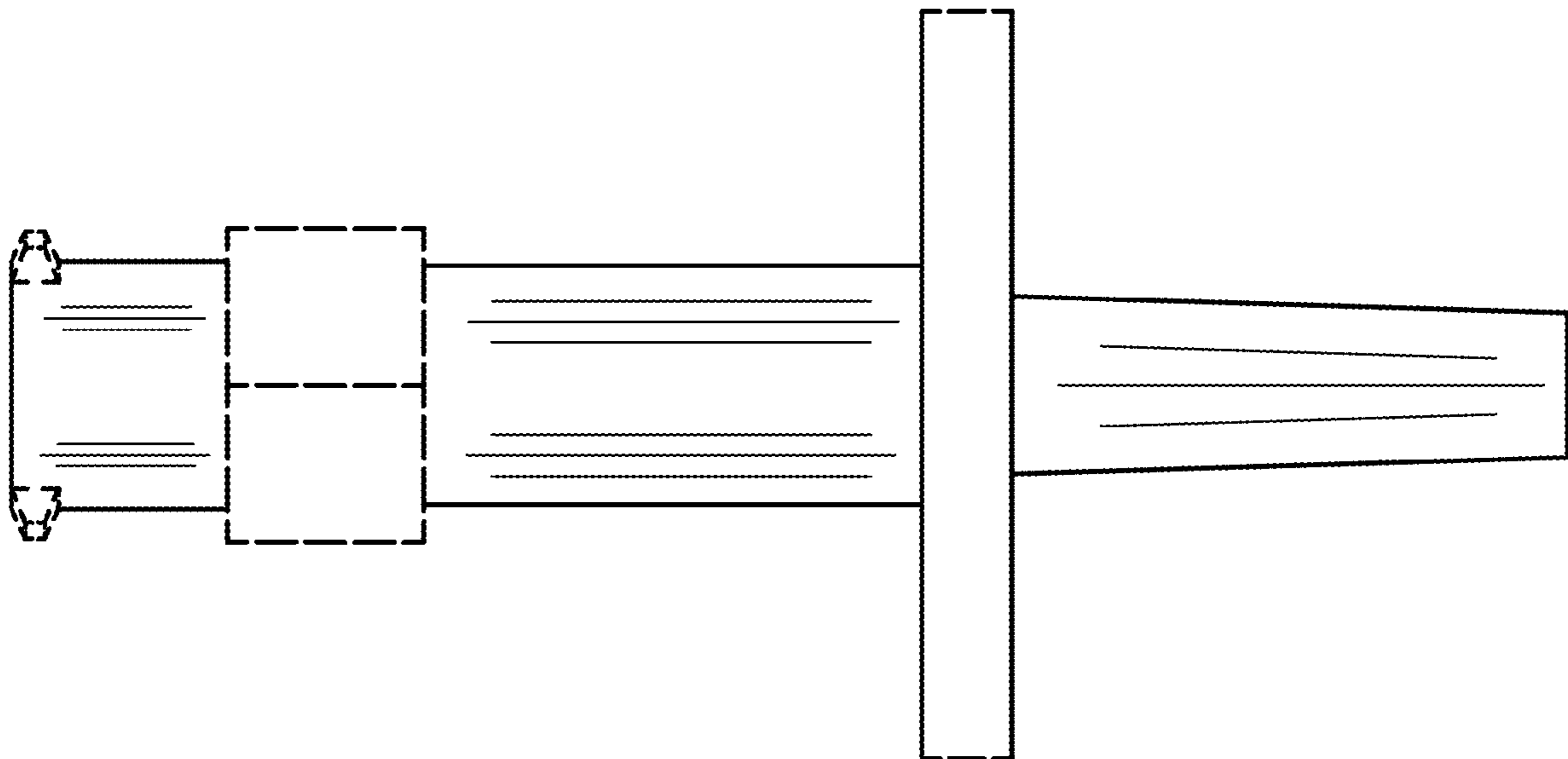


FIG. 8

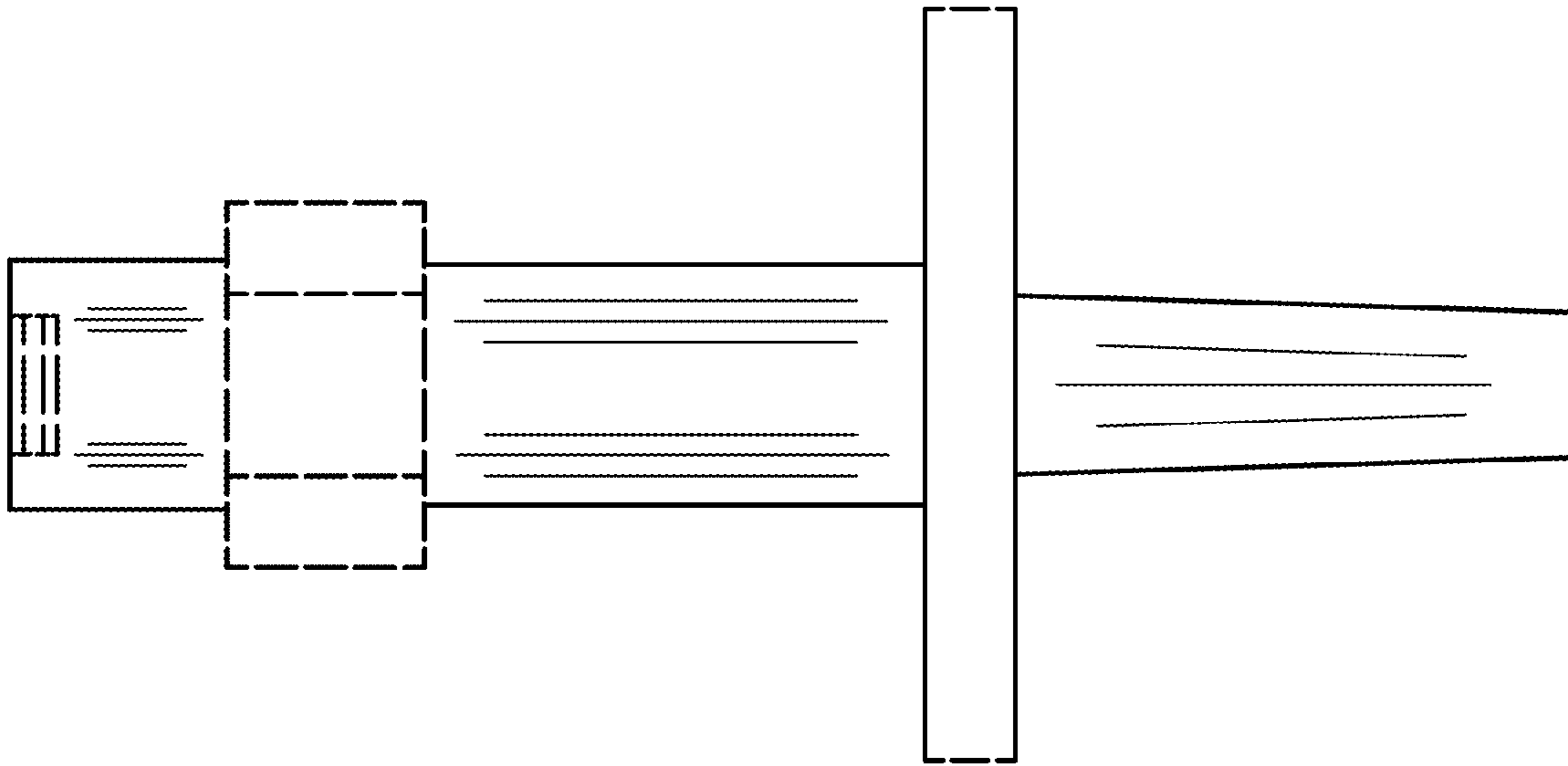


FIG. 9

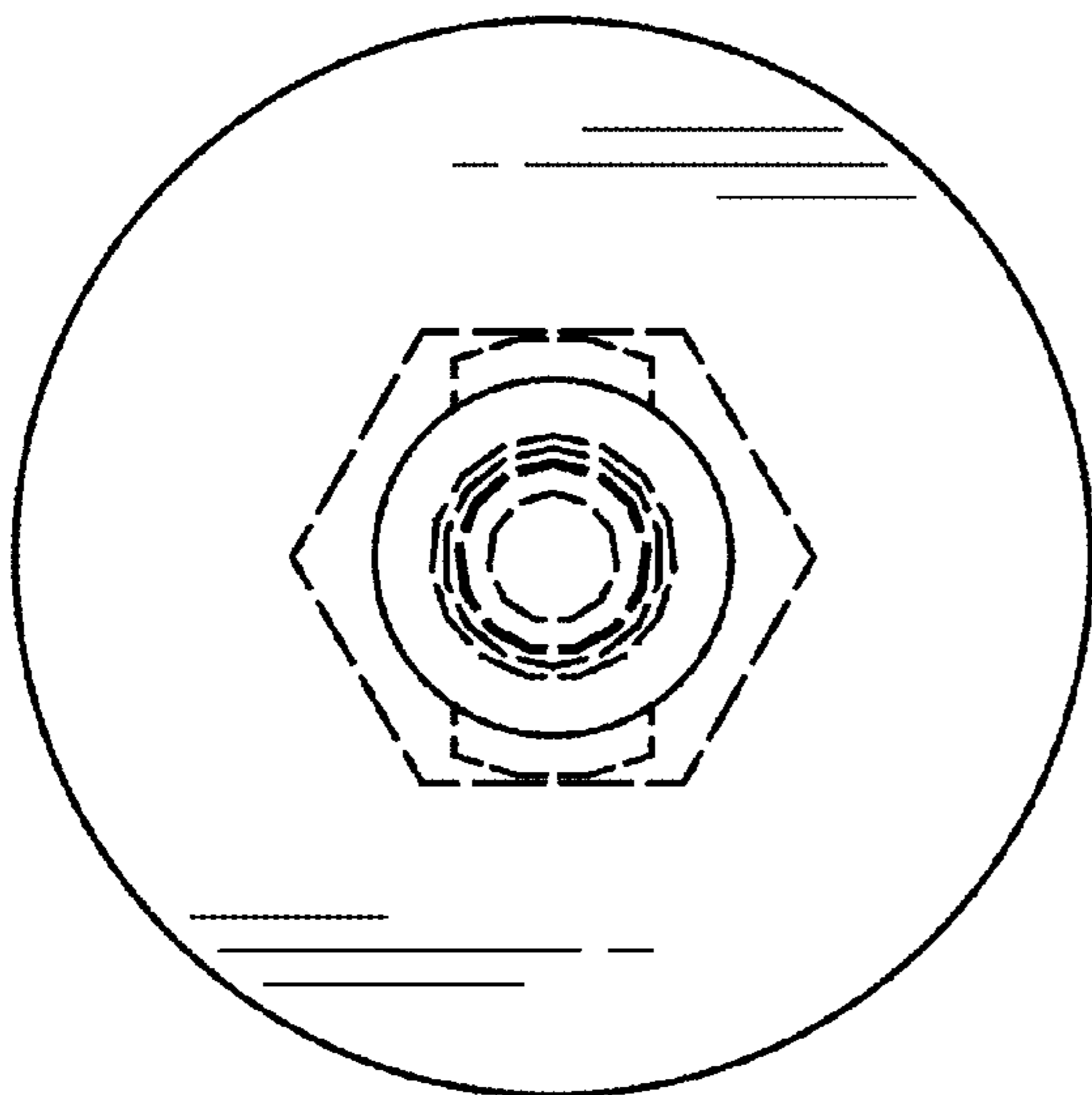


FIG. 10



FIG. 11

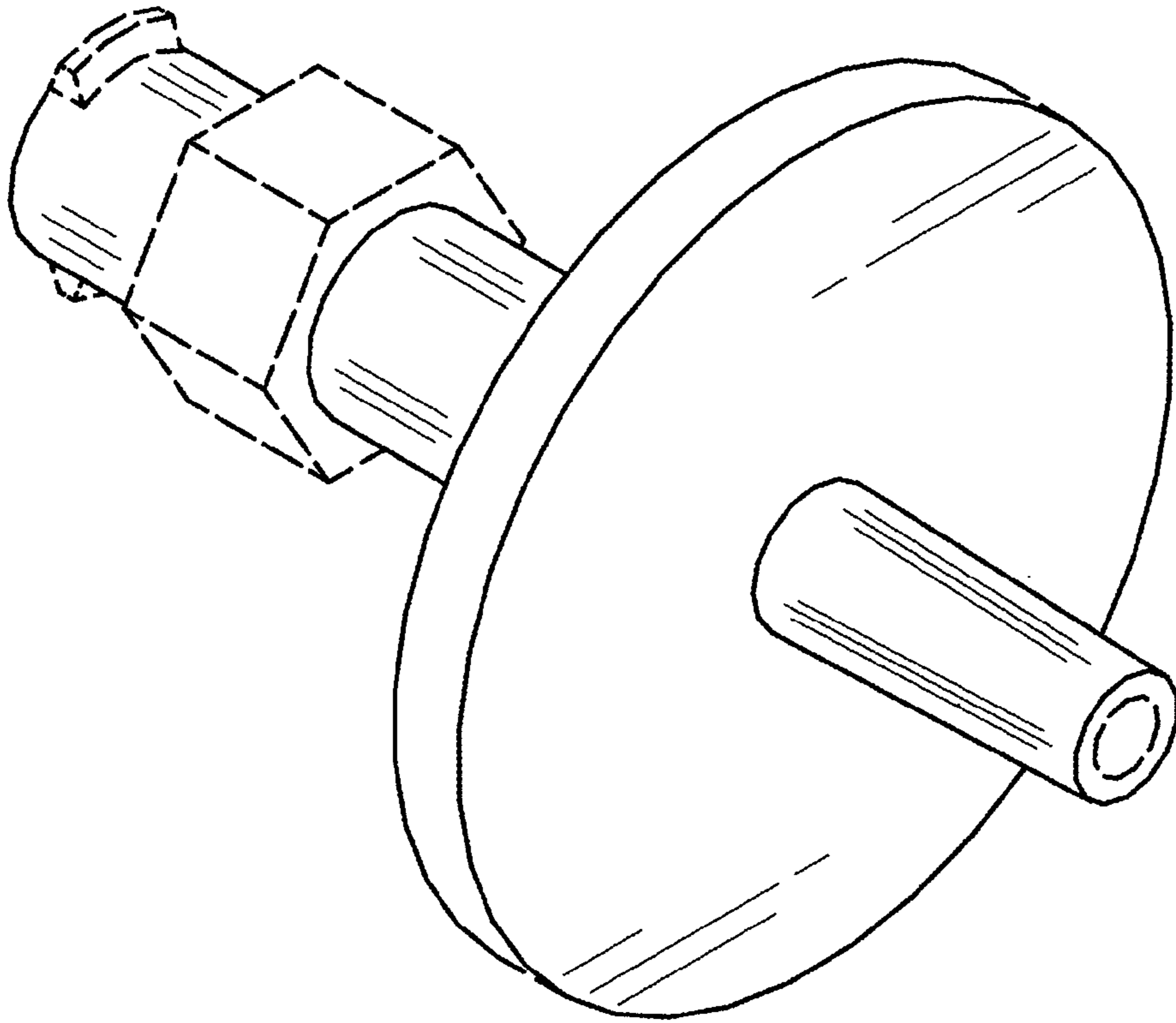


FIG. 12

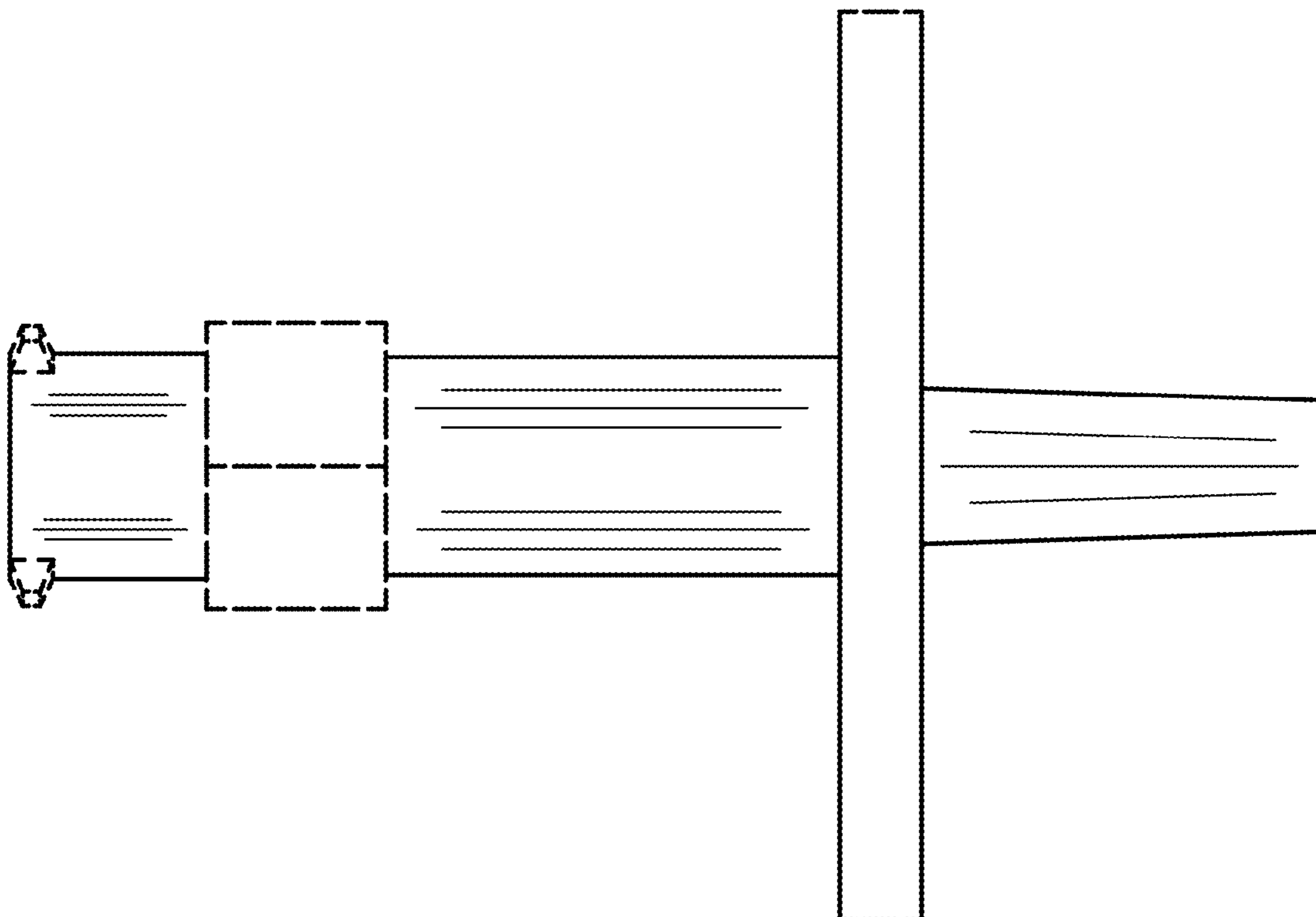


FIG. 13

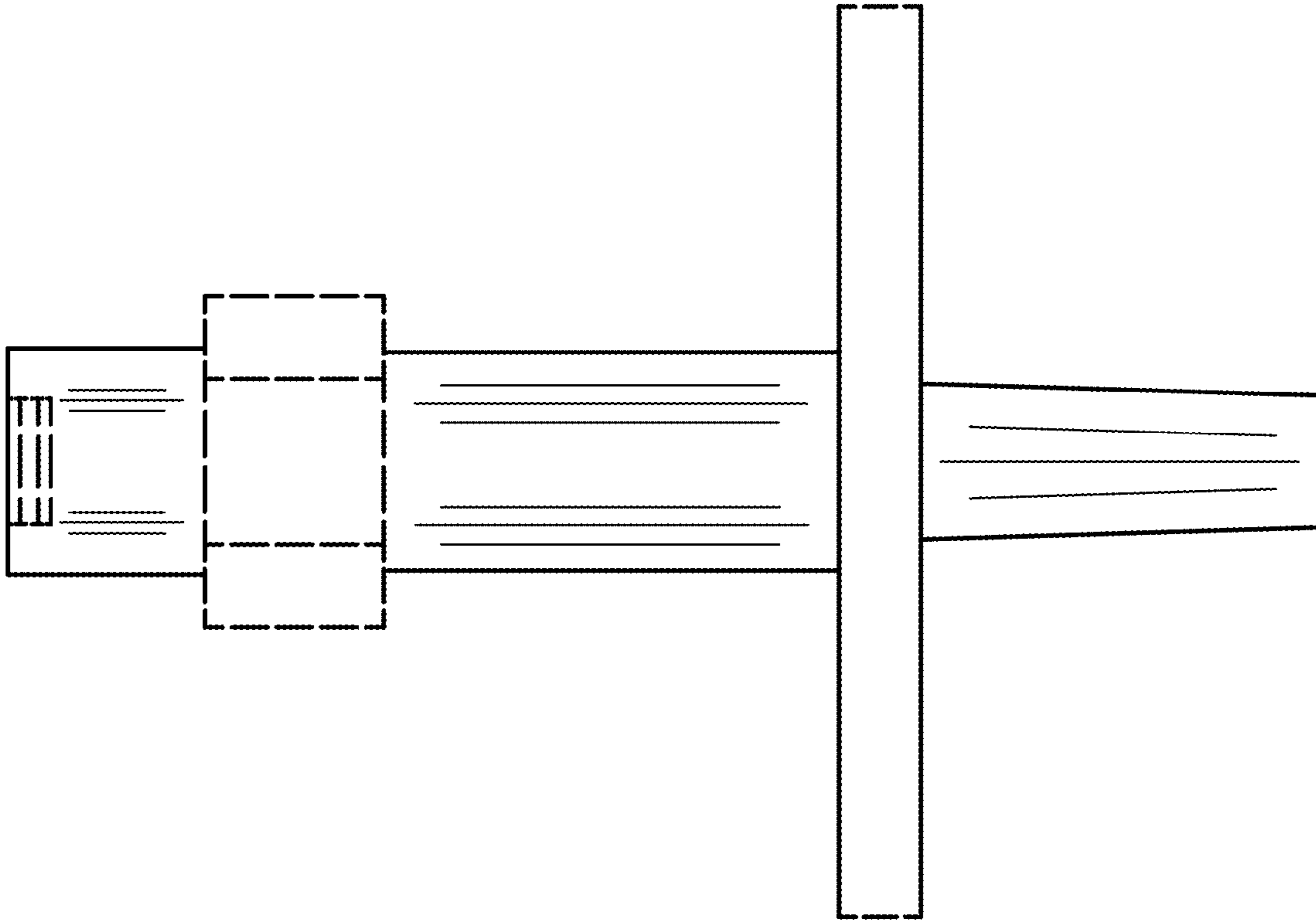


FIG. 14

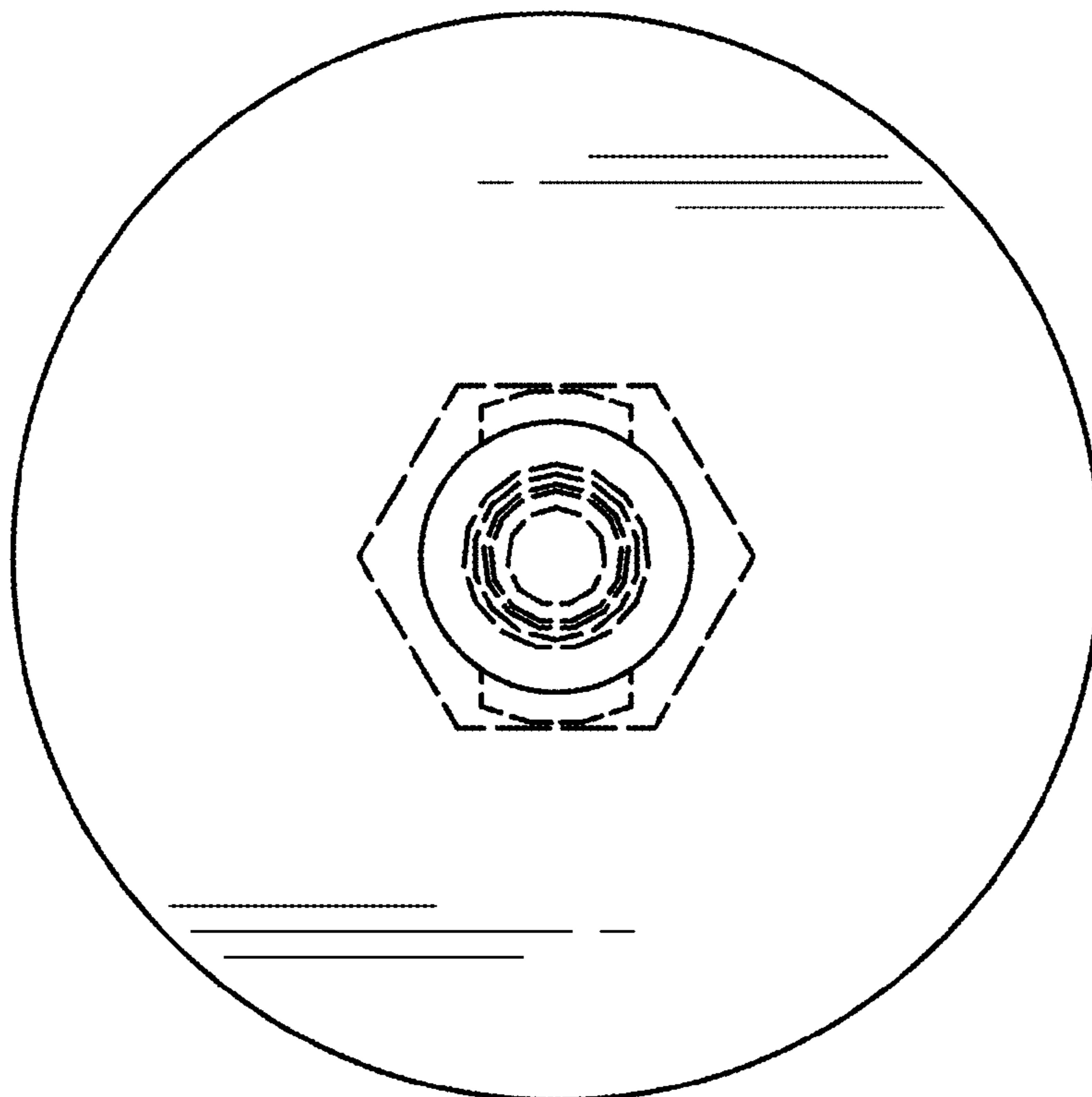


FIG. 15

