



US00D984637S

(12) **United States Design Patent** (10) **Patent No.:** **US D984,637 S**
Yu et al. (45) **Date of Patent:** **** Apr. 25, 2023**

(54) **MEASUREMENT VESSEL** 7,666,170 B2 * 2/2010 Guala A61M 39/10
604/249
(71) Applicant: **GastroKlenz Inc.**, San Francisco, CA 7,998,115 B2 8/2011 Bedingfield
(US) 8,033,157 B2 10/2011 Yardimci et al.
8,211,048 B2 7/2012 Szamosfalvi et al.
(72) Inventors: **Eric Hsiang Yu**, San Francisco, CA
(US); **Aly R. Elbadry**, San Francisco,
CA (US); **Daniel Elliott Francis**,
Mountain View, CA (US) (Continued)
(73) Assignee: **GastroKlenz Inc.**, San Francisco, CA
(US)

FOREIGN PATENT DOCUMENTS

CN 203263900 U 11/2013
WO WO 2010/056740 A1 5/2010
(Continued)

OTHER PUBLICATIONS

International Search Report and Written Opinion for PCT/US2018/
065853 dated May 24, 2019, 23 pages.

Primary Examiner — Nathan M Johnston
(74) *Attorney, Agent, or Firm* — Shay Glenn LLP

(**) Term: **15 Years**
(21) Appl. No.: **29/696,318**
(22) Filed: **Jun. 26, 2019**
(51) **LOC (14) Cl.** **24-02**
(52) **U.S. Cl.**
USPC **D24/129**
(58) **Field of Classification Search**
USPC D24/127–131, 112–114, 133, 186;
606/181, 185; 604/264, 523–528, 272,
604/187, 158, 164.01–164.11, 181, 184,
604/227; 600/101, 139, 143;
128/200.24, 207.14, 207.15
CPC .. A61M 39/06; A61M 5/36; A61M 2039/062;
A61M 2039/0673; A61M 39/10; A61M
2039/205; A61F 2/958
See application file for complete search history.

(57) **CLAIM**

The ornamental design for a measurement vessel, as shown
and described.

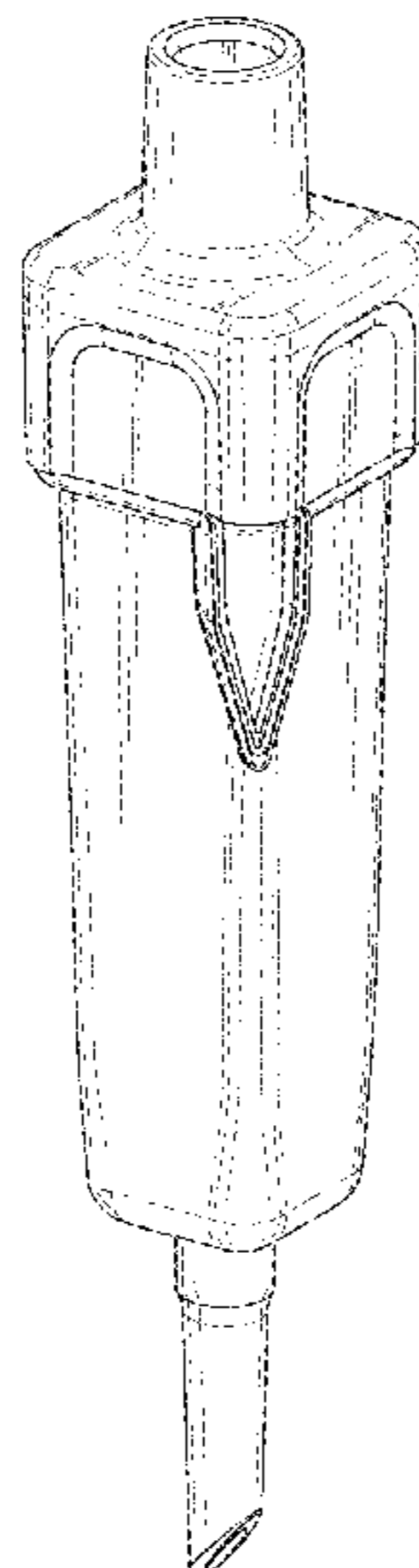
DESCRIPTION

FIG. 1 is a perspective view of a measurement vessel
showing the new design;
FIG. 2 is another perspective view thereof;
FIG. 3 is an exploded perspective view thereof;
FIG. 4 is a front view thereof;
FIG. 5 is a right side view thereof;
FIG. 6 is a rear view thereof;
FIG. 7 is a left side view thereof;
FIG. 8 is a top plan view thereof;
FIG. 9 is a bottom plan view thereof;
FIG. 10 is a left side view thereof;
FIG. 11 is a cross-sectional view thereof, taken along the line
11-11 in FIG. 10; and,
FIG. 12 is a cross-sectional view of a measurement vessel,
taken along the line 12-12 in FIG. 10.

(56) **References Cited**
U.S. PATENT DOCUMENTS

4,725,148 A 2/1988 Endo et al.
6,228,047 B1 5/2001 Dadson
6,547,766 B1 * 4/2003 Fitz A61M 25/0023
604/264
6,758,835 B2 7/2004 Close et al.
6,913,590 B2 6/2005 Sorenson et al.
7,033,539 B2 4/2006 Krensky et al.
7,659,980 B1 2/2010 Mitchell et al.

1 Claim, 11 Drawing Sheets



(56)

References Cited

U.S. PATENT DOCUMENTS

8,216,156 B2 7/2012 Dalebout et al.
 8,239,010 B2 8/2012 Banet et al.
 8,285,487 B2 10/2012 Bergstrom et al.
 8,348,844 B2 1/2013 Kunjan et al.
 8,440,140 B2 5/2013 Nagai et al.
 8,628,724 B2 1/2014 Kuenstner
 8,708,950 B2 4/2014 Scarpaci et al.
 8,728,023 B2 5/2014 Landherr et al.
 8,747,333 B2 6/2014 Burkholz
 8,777,891 B2 7/2014 Landherr et al.
 8,801,652 B2 8/2014 Landherr et al.
 8,870,769 B2 10/2014 Deshpande
 8,886,273 B2 11/2014 Li et al.
 8,924,161 B2 12/2014 Moerman
 9,125,979 B2 9/2015 Behzad et al.
 9,215,985 B2 12/2015 Gross et al.
 D760,890 S * 7/2016 Guala D24/112
 9,381,289 B2 7/2016 Hedmann et al.
 9,603,622 B2 3/2017 Kamen et al.
 9,724,458 B2 8/2017 Grant et al.
 9,764,074 B1 9/2017 Childers et al.
 9,861,733 B2 1/2018 Burbank et al.
 9,894,894 B2 2/2018 Hassanein et al.
 D816,831 S * 5/2018 Sacchetti D24/127
 9,962,524 B2 5/2018 Andino
 9,968,725 B2 5/2018 Fulkerson et al.
 9,968,742 B2 5/2018 Van Antwerp et al.
 10,032,270 B2 7/2018 Turner
 10,078,438 B2 9/2018 Wang et al.
 D830,540 S * 10/2018 Rolfs D24/114
 D833,030 S * 11/2018 Sasano D24/224
 10,155,081 B2 12/2018 Chen et al.
 D842,468 S * 3/2019 Juan A61M 37/0076
 D851,759 S * 6/2019 Jones D24/144
 10,332,482 B2 6/2019 Yik et al.
 D866,762 S * 11/2019 Lee D24/144
 D877,896 S * 3/2020 Ritter D24/114
 D879,290 S * 3/2020 Harman D24/138

D879,952 S * 3/2020 Schneider D24/112
 2003/0142291 A1 7/2003 Padmanabhan et al.
 2005/0256447 A1 11/2005 Richardson et al.
 2009/0149776 A1 6/2009 Adams
 2014/0329265 A1 11/2014 Wanders et al.
 2015/0005699 A1 1/2015 Burbank et al.
 2015/0254490 A1 9/2015 Cohen et al.
 2016/0139114 A1 5/2016 Bollmann et al.
 2016/0216150 A1 7/2016 Groeber et al.
 2016/0370287 A1 12/2016 Barnes et al.
 2017/0045455 A1 2/2017 Robertson et al.
 2017/0128653 A1 5/2017 Yuds et al.
 2017/0181678 A1 6/2017 Newberry
 2017/0266031 A1 9/2017 Sanchez et al.
 2017/0281846 A1 10/2017 Manda et al.
 2018/0021560 A1 * 1/2018 Ueda A61M 39/24
 604/533
 2018/0028794 A1 2/2018 Browd et al.
 2018/0043075 A1 2/2018 Gerber et al.
 2018/0043078 A1 2/2018 Gerber et al.
 2018/0043080 A1 2/2018 Gerber et al.
 2018/0070841 A1 3/2018 Honore et al.
 2018/0073991 A1 3/2018 Lura et al.
 2018/0193546 A1 6/2018 Gerber et al.
 2018/0353671 A1 12/2018 Tessendorf
 2019/0228526 A1 7/2019 Wuepper et al.
 2019/0358387 A1 11/2019 Elbadry et al.

FOREIGN PATENT DOCUMENTS

WO WO 2014/163815 A1 10/2014
 WO WO 2015/012990 A1 1/2015
 WO WO 2015/164620 A1 10/2015
 WO WO 2016/046634 A1 3/2016
 WO WO 2016/205744 A1 12/2016
 WO WO 2017/092871 A1 6/2017
 WO WO 2017/132132 A1 8/2017
 WO WO 2018/007013 A2 1/2018
 WO WO 2018/142406 A1 8/2018
 WO WO 2019/118929 A1 6/2019

* cited by examiner

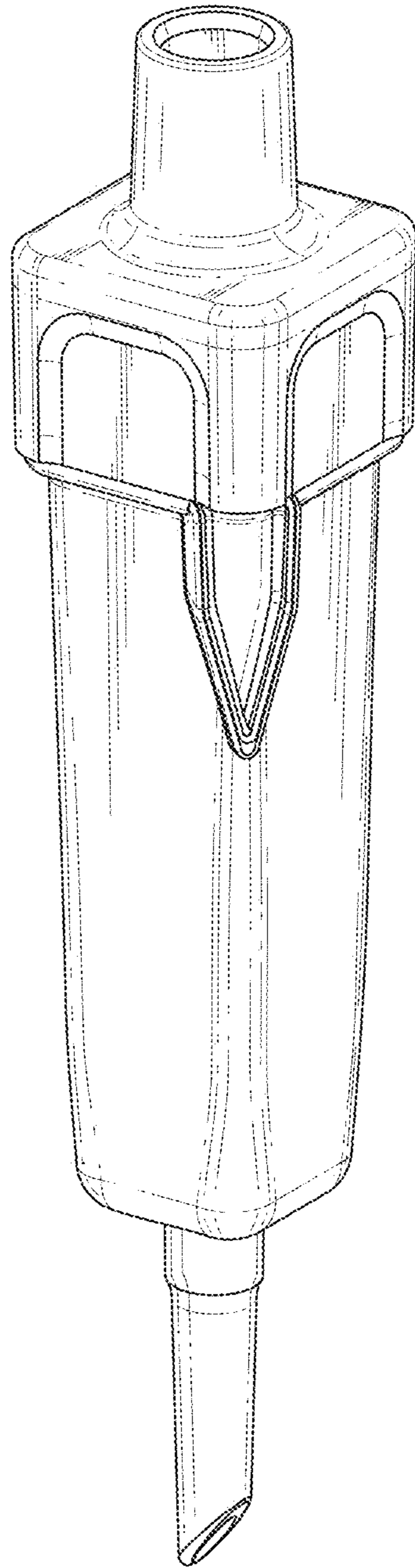


FIG. 1

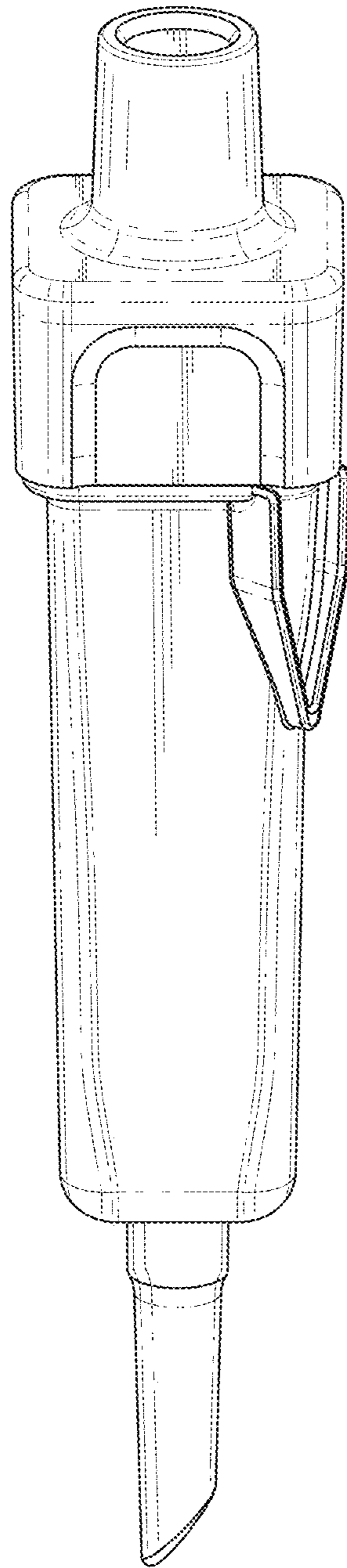


FIG. 2

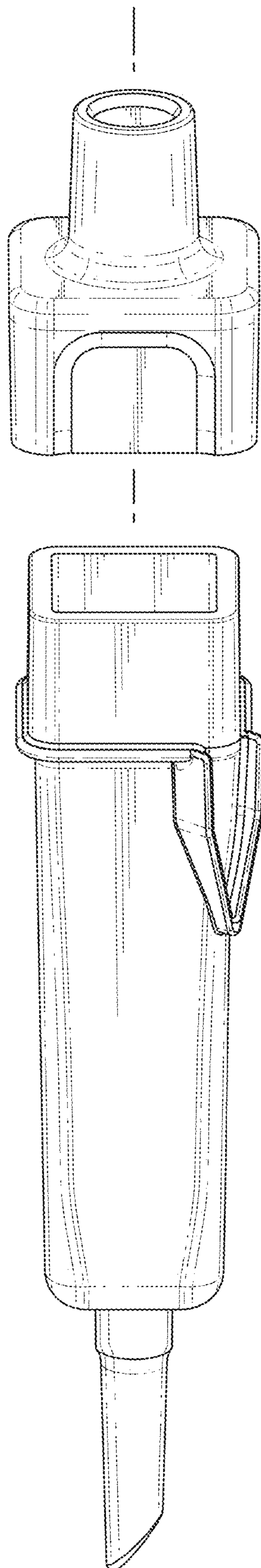


FIG. 3

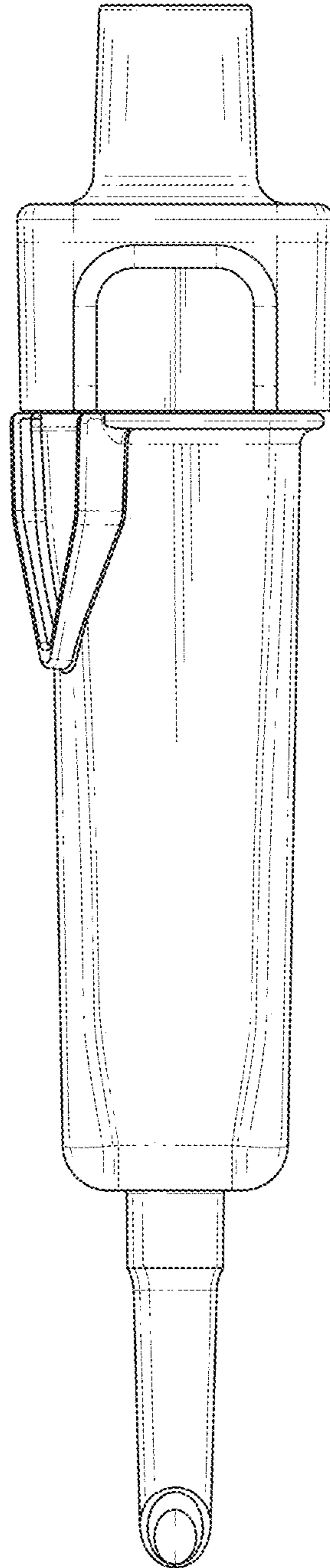


FIG. 4

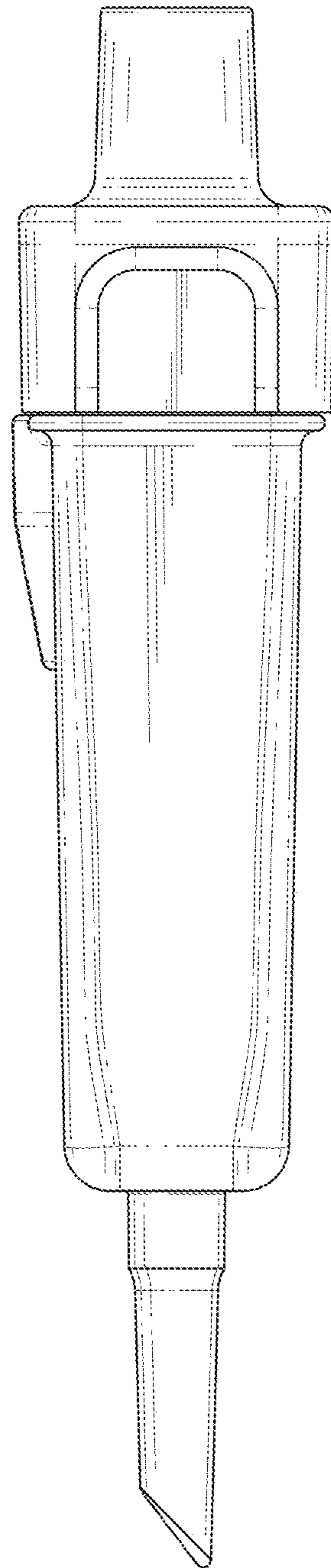


FIG. 5

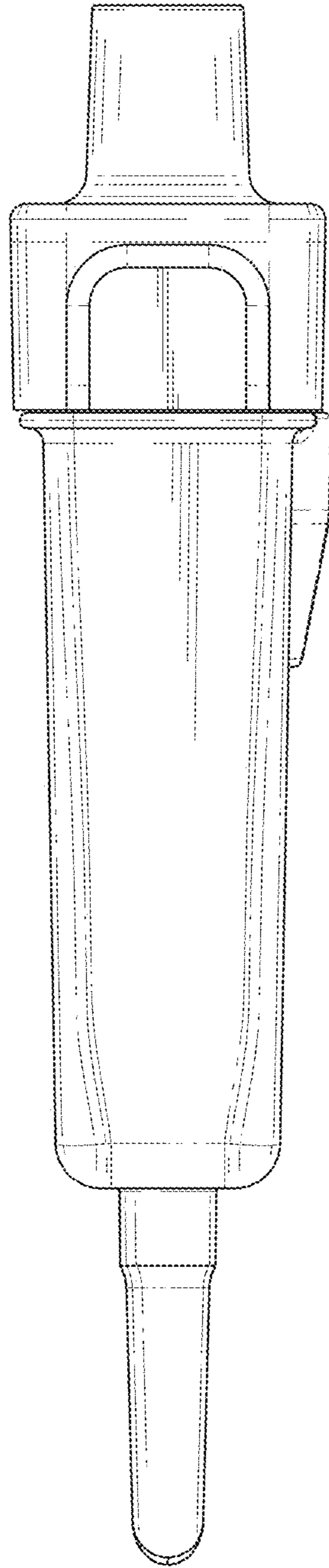


FIG. 6

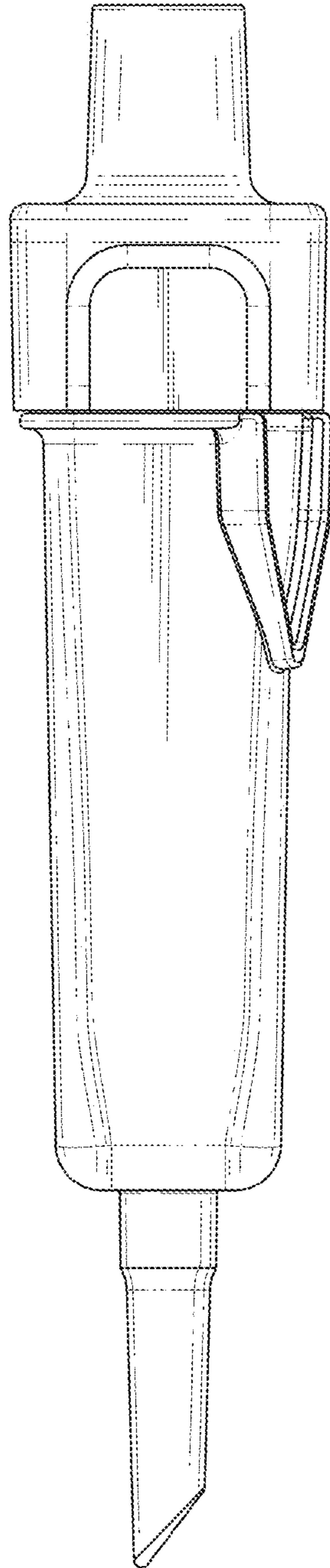


FIG. 7

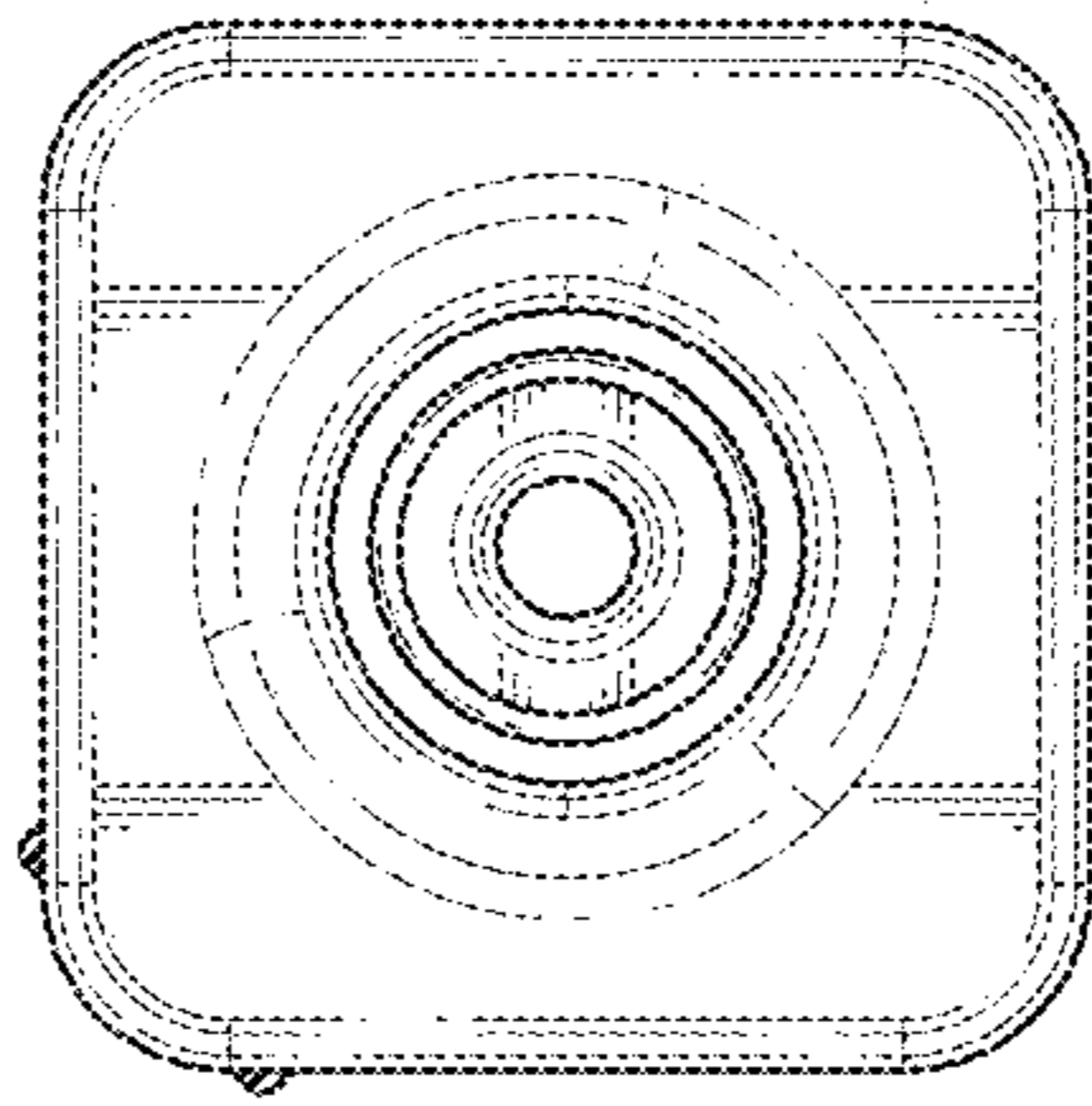


FIG. 8

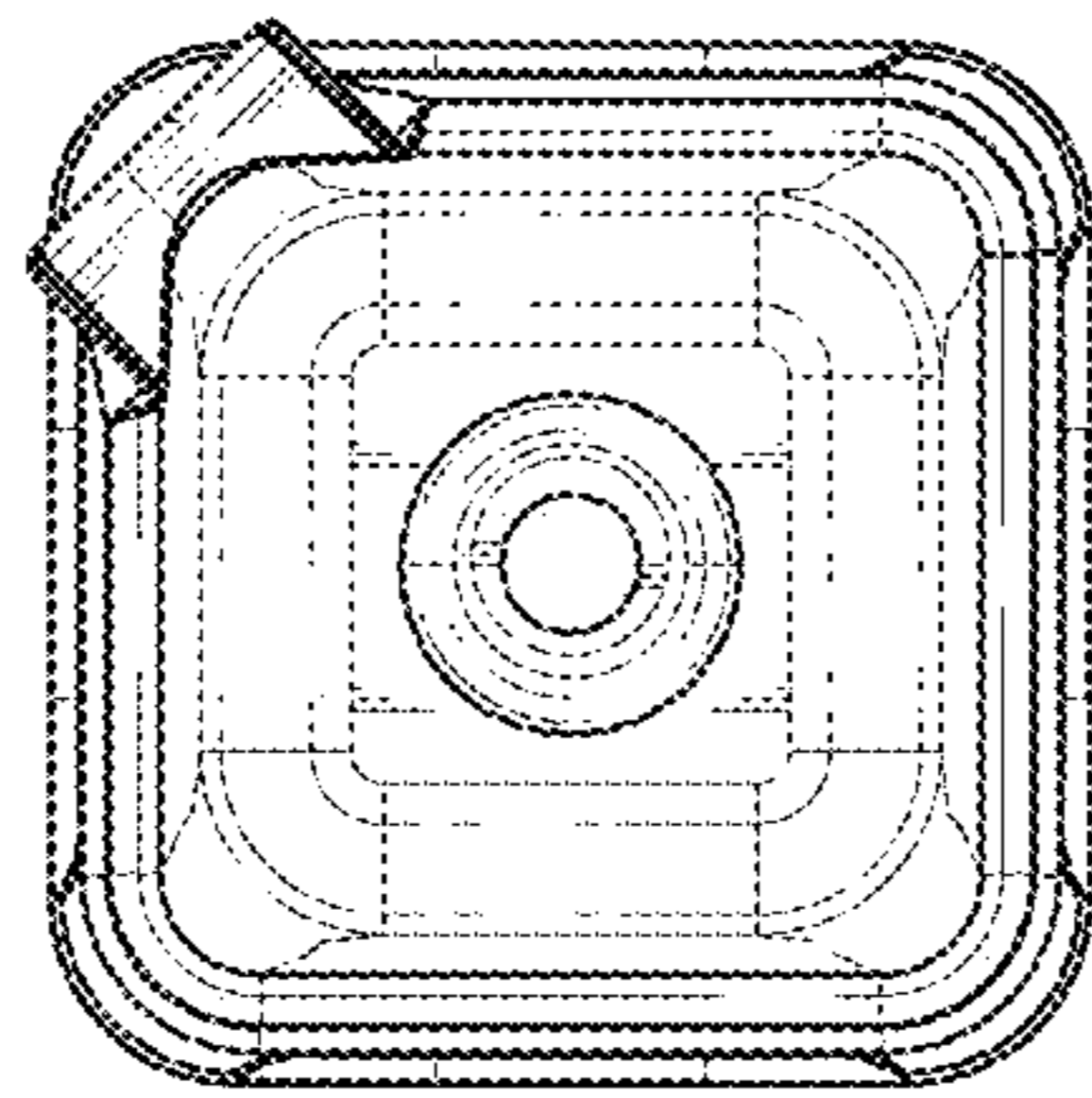


FIG. 9

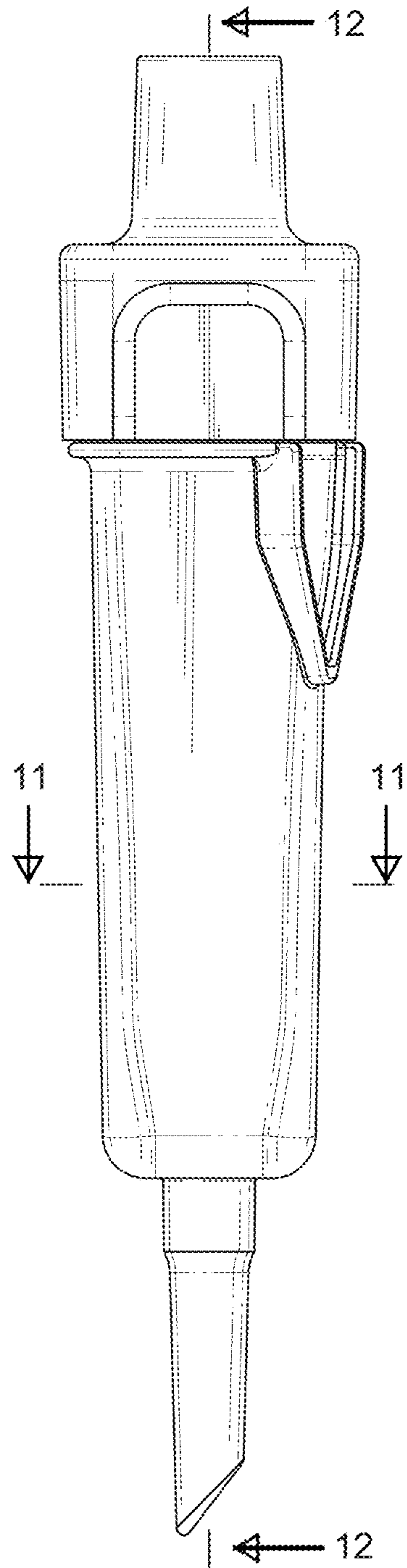


FIG. 10

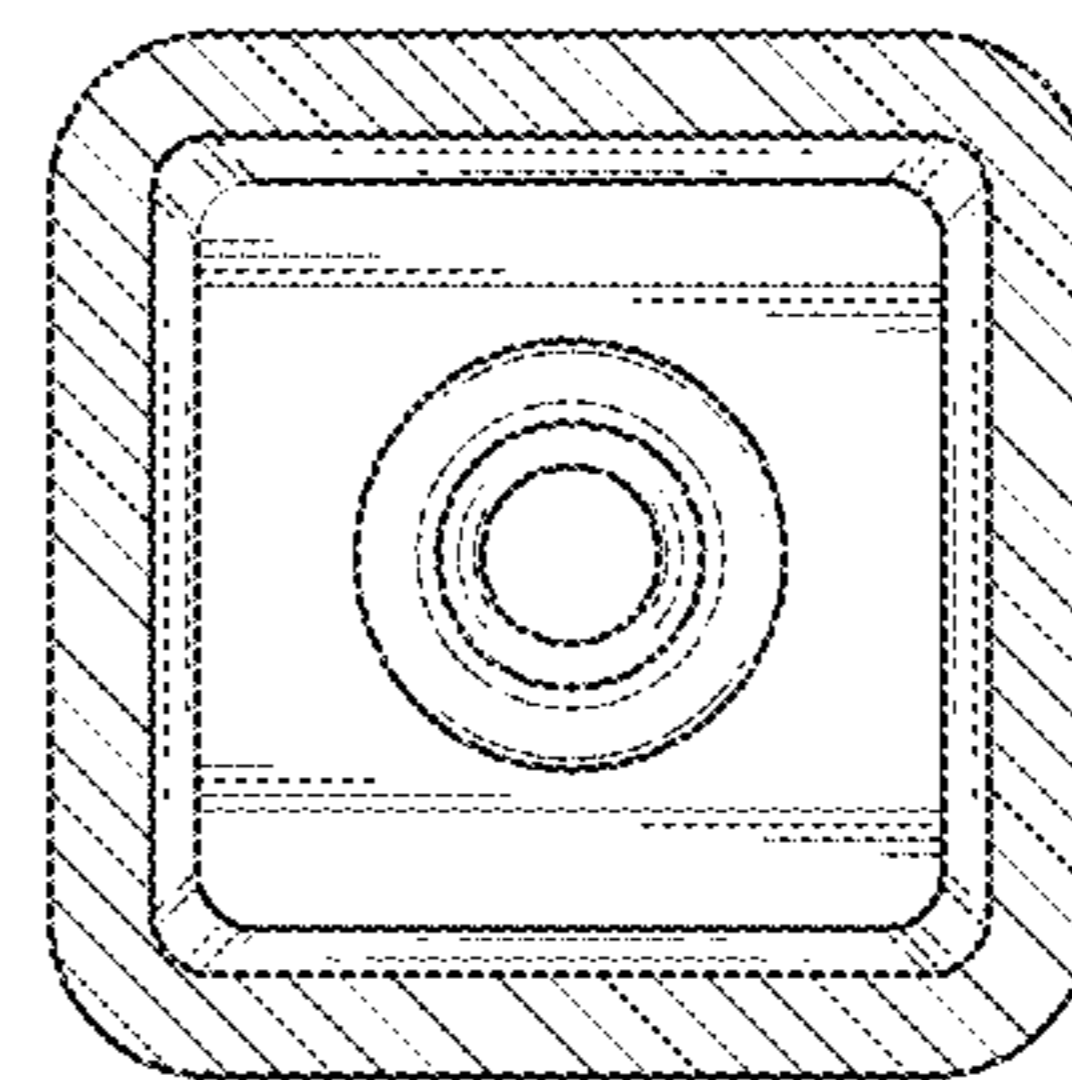


FIG. 11

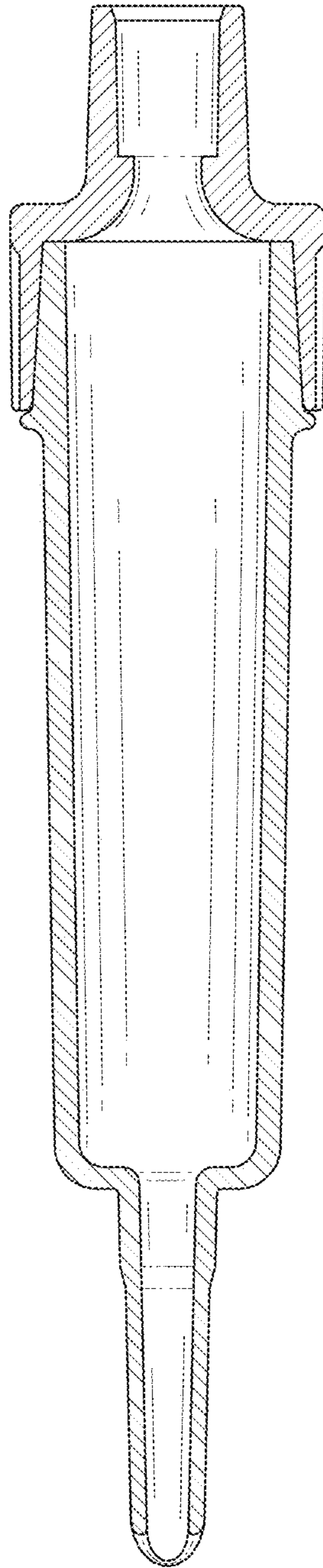


FIG. 12