



US00D984636S

(12) **United States Design Patent** (10) **Patent No.:** **US D984,636 S**
Coca (45) **Date of Patent:** **** Apr. 25, 2023**

(54) **STAND** D833,185 S * 11/2018 Zhou D6/681.3
D885,809 S * 6/2020 Song D6/681.3
(71) Applicant: **Heitler Houstoun Architects P.C.**, D967,658 S * 10/2022 Li D6/680.2
New York, NY (US)

FOREIGN PATENT DOCUMENTS

(72) Inventor: **Kimberly M. Coca**, Union City, NJ (US) GB 6040154 * 7/2018

OTHER PUBLICATIONS

(73) Assignee: **HEITLER HOUSTOUN ARCHITECTS, P.C.**, New York, NY (US)
Plant stand, Fabrica, Fabrica.com, [Post date unknown], [Site seen Jan. 23, 2023], Seen at URL: <https://fabrica.com.cy/products/copy-of-plant-stand-blue-high> (Year: 2023).*
IV Stand Carol Pole PC, KCare, kcare.com, [Post date unknown], [Site seen Jan. 23, 2023], Seen at URL: <https://www.kcare.com.au/iv-stand-carol-pole-pc-cd10--3772> (Year: 2023).*

(**) Term: **15 Years**

(21) Appl. No.: **29/794,614**

(22) Filed: **Jun. 14, 2021**

(51) **LOC (14) Cl.** **24-02**

(52) **U.S. Cl.**
USPC **D24/128**

(58) **Field of Classification Search**
USPC D24/127, 128, 232, 186, 184; D6/315, D6/672, 681, 681.1, 681.2, 681.3, 682
CPC .. A47F 5/0006; A47F 5/04; A47F 5/14; A47F 7/19; A47F 7/24
See application file for complete search history.

* cited by examiner

Primary Examiner — Natasha Vujcic
Assistant Examiner — Gilbert B Ford
(74) *Attorney, Agent, or Firm* — Cowan, Liebowitz & Latman, P.C.; Anastasia Zhadina

(57) **CLAIM**

The ornamental design for a stand, as shown and described.

(56) **References Cited**

U.S. PATENT DOCUMENTS

D235,486 S * 6/1975 van den Bergh D24/128
D371,602 S * 7/1996 LoTurco D24/128
D372,533 S * 8/1996 Davis 211/205
D378,315 S * 3/1997 Schwaegerle D24/172
D379,878 S * 6/1997 Vassallo D6/681.1
D419,707 S * 1/2000 Tierney D6/673
D628,691 S * 12/2010 Sung D24/128
D635,663 S * 4/2011 Sung D24/128
D703,329 S * 4/2014 Worcester D24/185
D779,241 S * 2/2017 Terada D6/315

DESCRIPTION

FIG. 1 is a front perspective view of a stand showing my design;
FIG. 2 is a top view thereof;
FIG. 3 is a front view thereof;
FIG. 4 is a left side view thereof;
FIG. 5 is a rear view thereof; and,
FIG. 6 is a right side view thereof.

1 Claim, 6 Drawing Sheets

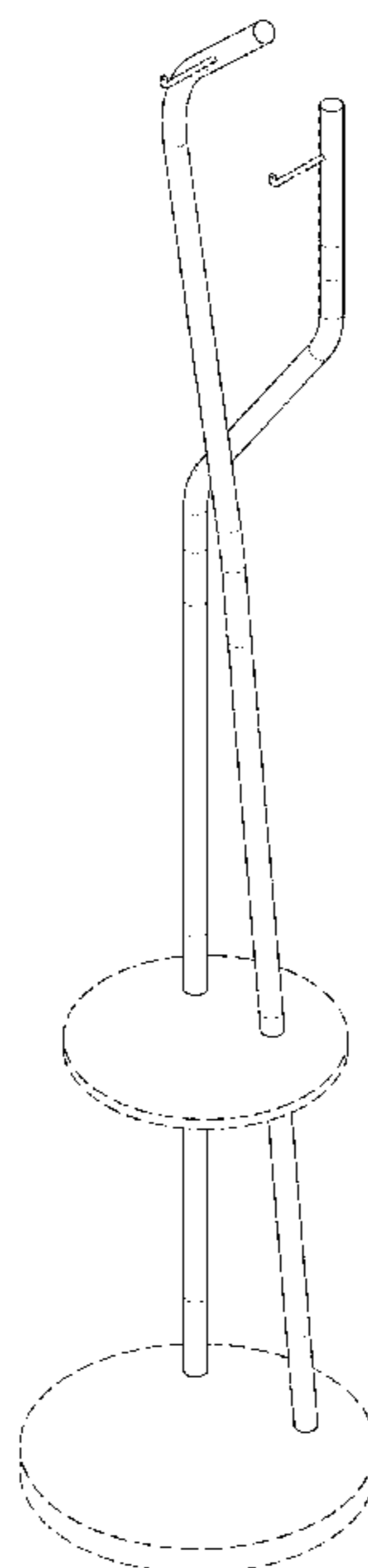


FIG. 1

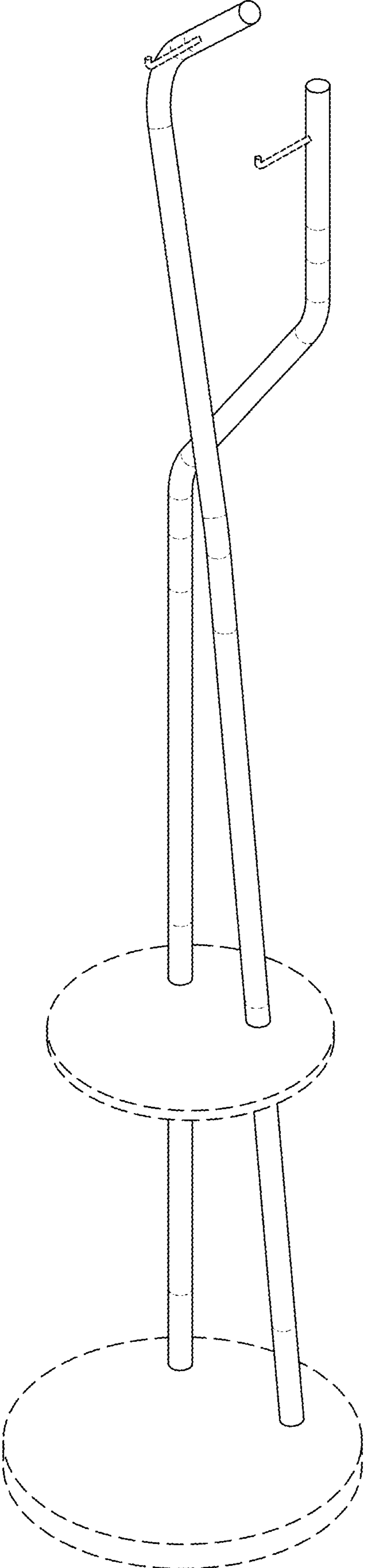


FIG. 2

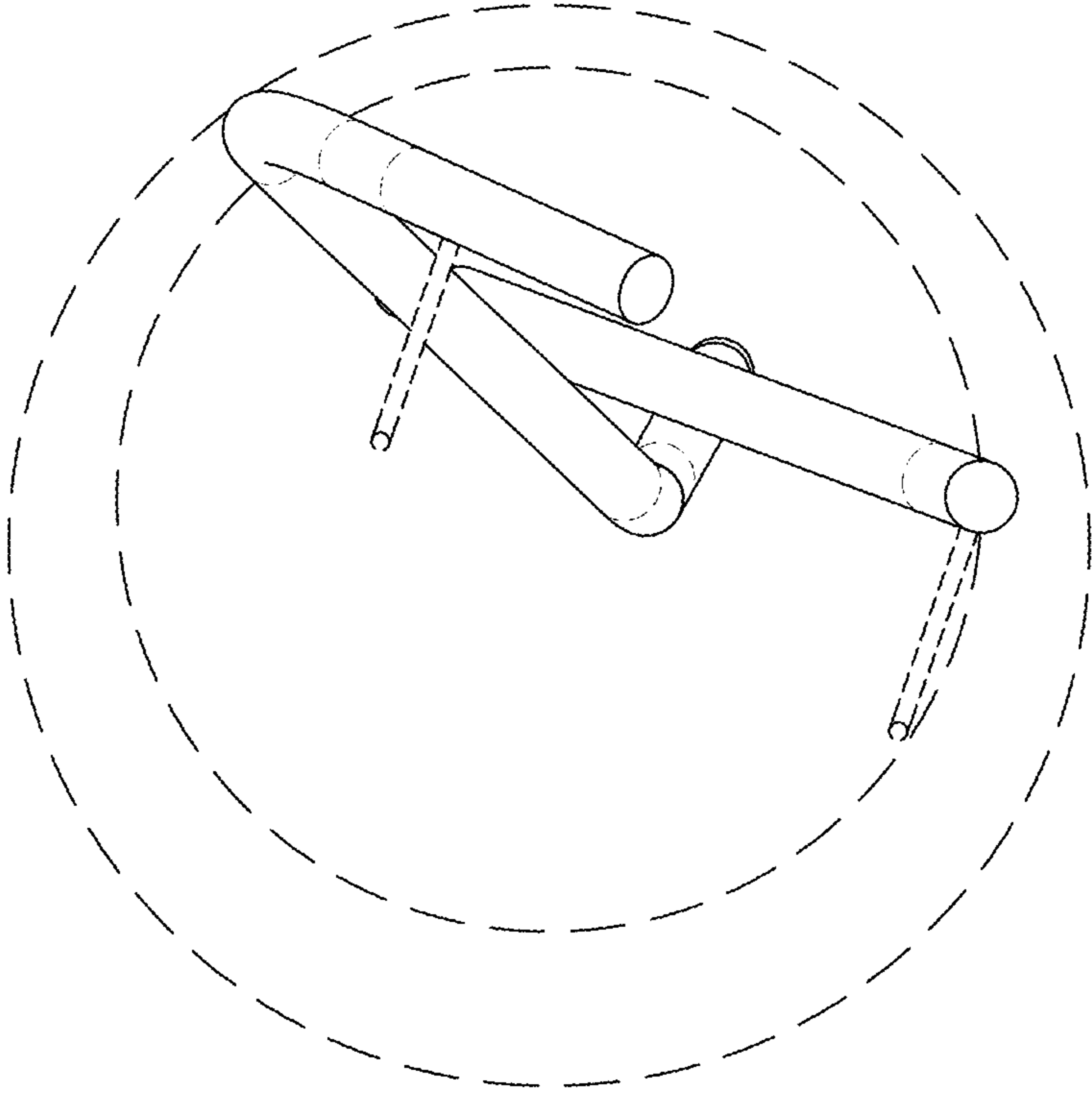


FIG. 3

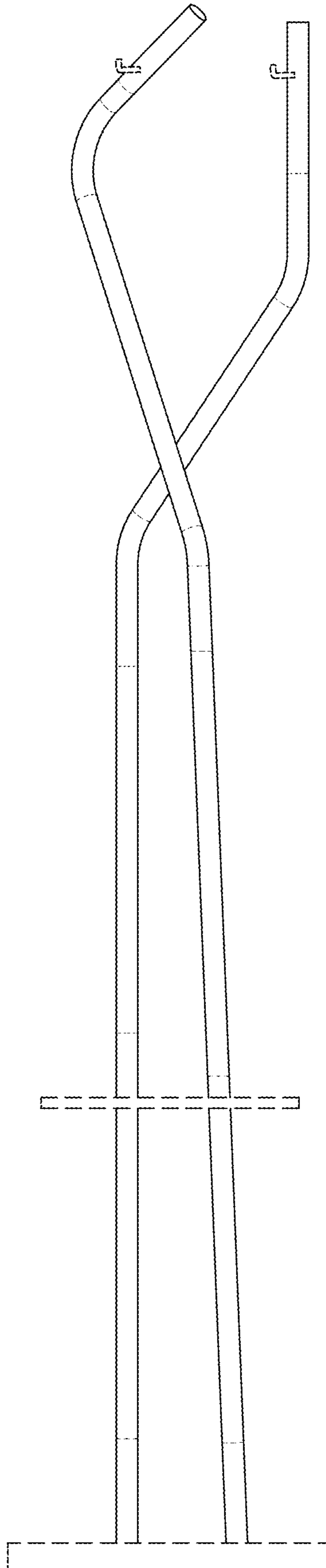


FIG. 4

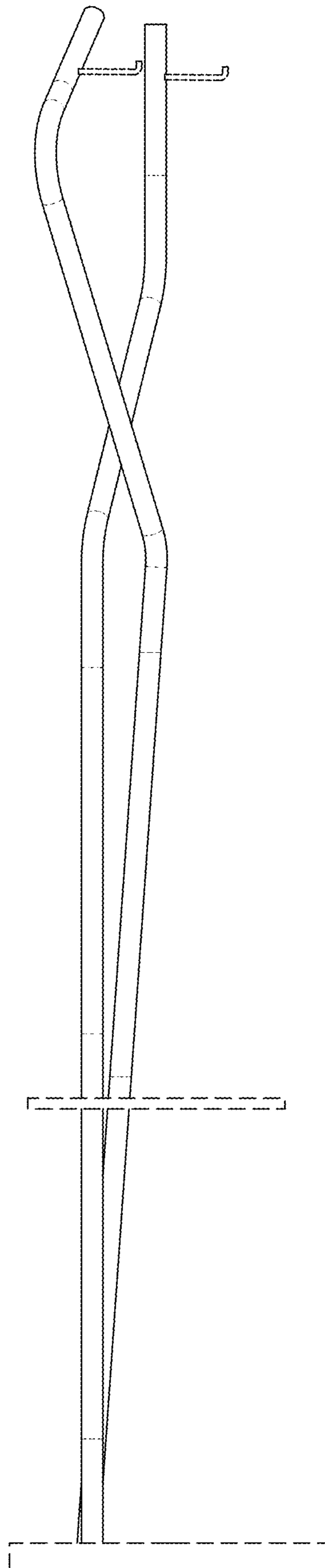


FIG. 5

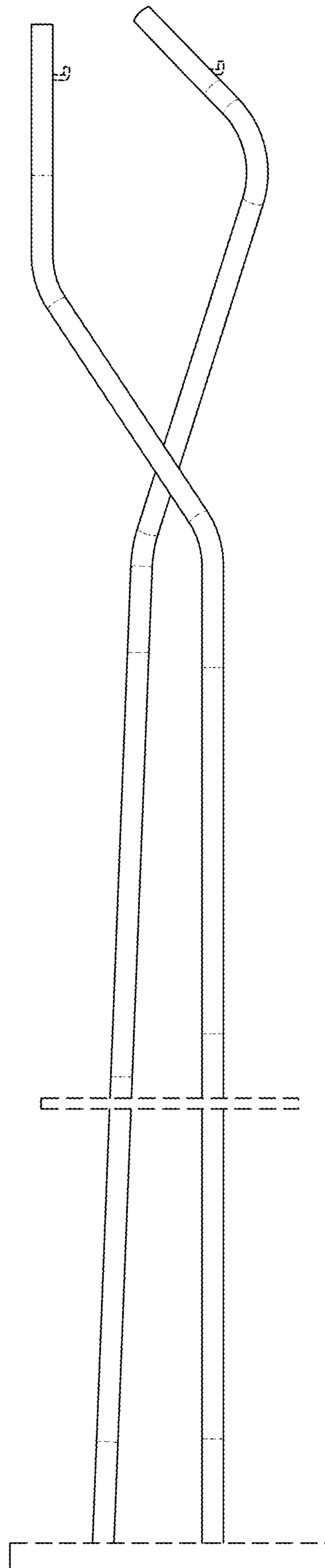


FIG. 6

