



US00D984635S

(12) **United States Design Patent**  
**Wong**

(10) **Patent No.:** **US D984,635 S**  
(45) **Date of Patent:** **\*\* Apr. 25, 2023**

(54) **FACE MASK**

FOREIGN PATENT DOCUMENTS

(71) Applicant: **SKYPRO MEDICAL SUPPLIES COMPANY LIMITED**, Hong Kong (HK)

EM 008272926-0001 \* 11/2020  
KR 301110196.0000 \* 5/2021  
KR 301134931.0000 \* 11/2021

(72) Inventor: **Suet yi Wong**, Hong Kong (HK)

OTHER PUBLICATIONS

(73) Assignee: **SKYPRO MEDICAL SUPPLIES COMPANY LIMITED**, Hong Kong (CN)

Protective Face Cover—SkyPro Medical Supplies Company, Nov. 14, 2020, youtube.com [online], [site visited Jul. 30, 2022], Available from internet, URL: <https://www.youtube.com/watch?v=nKgu8mawl44&list=TLGGyYDVx3FdYaUzMDA3MjAyMg&t=21s> (Year: 2020).\*

(\*\*) Term: **15 Years**

(Continued)

(21) Appl. No.: **29/758,730**

(22) Filed: **Nov. 18, 2020**

*Primary Examiner* — Wendy L Arminio

*Assistant Examiner* — Maheen Khurshid

(51) **LOC (14) Cl.** ..... **29-02**

(74) *Attorney, Agent, or Firm* — IPro, PLLC

(52) **U.S. Cl.**

USPC ..... **D24/110.2**

(58) **Field of Classification Search**

USPC .... D24/110–110.4, 108, 162, 164; D29/102, D29/105–108, 110

CPC .... A61M 16/00; A61M 16/06; A61M 16/105; A61M 16/209; A62B 7/00; A62B 18/00; A62B 18/02; A62B 18/08; A62B 18/082; A62B 18/025; A62B 18/10; A62B 23/00; A62B 9/02; A62B 23/02; A62B 23/025; A41D 13/11; A41D 13/1107; A41D 13/1115; A41D 13/1123; A41D 13/113

See application file for complete search history.

(57) **CLAIM**

The ornamental design for a face mask, as shown and described.

**DESCRIPTION**

FIG. 1 is a front perspective view of a face mask shown in a used condition, showing our new design; FIG. 2 is another perspective view thereof; FIG. 3 is a front elevation view thereof; FIG. 4 is a rear side elevation view thereof; FIG. 5 is a left side elevation view thereof; FIG. 6 is a right side view thereof; FIG. 7 is a top plan view thereof; FIG. 8 is a bottom plan view thereof; and, FIG. 9 is a front view thereof, shown in reduced scale in an unused state.

The broken lines depict portions of the face mask that form no part of the claimed design.

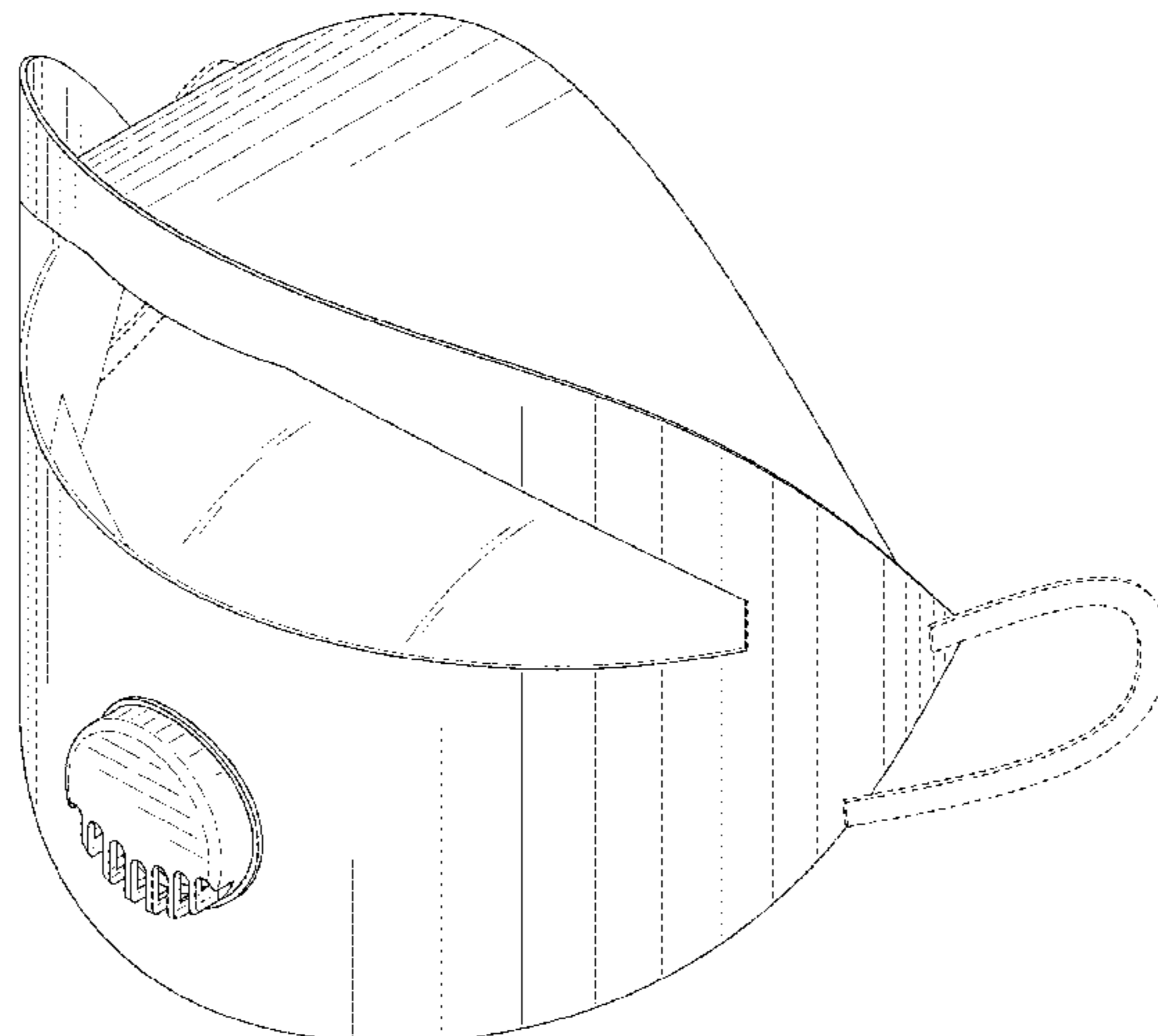
(56) **References Cited**

U.S. PATENT DOCUMENTS

2,056,753 A \* 10/1936 Wagner ..... A41D 13/11 D24/110.2  
D304,869 S \* 11/1989 Mattox ..... D24/110.2  
4,944,294 A \* 7/1990 Borek, Jr. .... A62B 18/082 128/201.15  
D355,715 S \* 2/1995 Hubbard ..... D24/110.2  
D366,697 S \* 1/1996 Drummond ..... D24/110.2  
5,682,879 A \* 11/1997 Bowers ..... A62B 18/082 128/201.12

(Continued)

**1 Claim, 9 Drawing Sheets**



(56)

References Cited

U.S. PATENT DOCUMENTS

5,727,544 A \* 3/1998 Miura ..... A41D 13/11  
128/206.16  
6,026,511 A \* 2/2000 Baumann ..... A61F 9/029  
2/9  
6,123,077 A \* 9/2000 Bostock ..... A41D 13/11  
128/206.19  
7,311,102 B2 \* 12/2007 Pears ..... B32B 27/08  
128/201.24  
7,802,572 B2 \* 9/2010 Hahne ..... A41D 13/1192  
128/857  
D803,391 S \* 11/2017 Reese ..... D24/110.1  
D837,970 S \* 1/2019 Henderson ..... D24/110.1  
10,827,787 B2 \* 11/2020 Facer ..... A62B 23/025  
D908,205 S \* 1/2021 Hwang ..... D24/110.1  
11,213,080 B2 \* 1/2022 Henderson ..... A62B 23/025  
D958,323 S \* 7/2022 Hunt ..... D29/108  
D958,324 S \* 7/2022 Koller, III ..... D29/108  
2009/0078264 A1 \* 3/2009 Martin ..... A62B 23/025  
128/206.17  
2016/0029716 A1 \* 2/2016 Duncan ..... A41D 13/11  
128/863  
2017/0318875 A1 \* 11/2017 Henderson ..... A62B 23/025  
2017/0340031 A1 \* 11/2017 Henderson ..... A62B 23/025  
2020/0390167 A1 \* 12/2020 Duffy ..... A62B 23/025  
2021/0339058 A1 \* 11/2021 Connor ..... A62B 9/00  
2021/0393140 A1 \* 12/2021 Rein ..... A41D 13/1184  
2022/0016298 A1 \* 1/2022 Harder ..... A62B 18/025

OTHER PUBLICATIONS

I-See Mask—SkyPro Medical Supplies Company, Nov. 14, 2020, youtube.com [online], [site visited Jul. 30, 2022], Available from internet, URL: <https://www.youtube.com/watch?v=VkcfsfQCVzE

&list=TLGGTia2yUWL2mozMDA3MjAyMg&t=2s> (Year: 2020).\*  
/Good Manner KF94 Protective Face Safety Mask, Sep. 24, 2020, amazon.com [online], [site visited Jul. 30, 2022], Available from internet, URL: <https://www.amazon.com/Count-Manner-Protective-Safety-White/dp/B08MDLWJBM/ref=sr\_1\_12?crid=2867ACC5IHQUL&keywords=foldable%2Btriangular%2Bface%2Bmask&qid=1659226455&prefix=foldable%2Btriangular%2Bface%2Bmask%2Caps%2C96&sr=8-12&th=1> (Year: 2020).\*  
3M Disposable N95 Respirators, Aug. 29, 2017, amazon.com [online], [site visited Jul. 30, 2022], Available from internet, URL: <https://www.amazon.com/3M-58887719997169-9211PLUS-Disposable-Respirators/dp/B07571GHLK/ref=sr\_1\_52?crid=119PN68YJ0SDK&keywords=duckbill+mask+respirator+valve&qid=1659229355&prefix=duckbill+mask+respirator+valve%2Caps%2C66&sr=8-52>.\*  
Woplagyreat Clear Window Face Maskwor, Nov. 17, 2020, amazon.com [online], [site visited Aug. 1, 2022], Available from internet, URL: <https://www.amazon.com/Reusable-Washable-Breathable-Designer-Anti-fog/dp/B08NJWK7G3/ref=sr\_1\_55\_sspa?crid=38V5T9SGMO0XM&keywords=clear+face+mask&qid=1659377904&prefix=clear+face+mask%2Caps%2C91&sr=8-55-spons&psc=1&spLa=ZW5jcnlwdGVkUXVhbGlmaWVyPUEwRFJIT1k5TDFHWIY5JmVuY3J5cHRIZEikPUEwMTc4OTgyMVJINjEyVUJERzIYMiZ3aWRnZXROYW1IPXNwX210ZiZhY3Rpb249Y2xpY2tSZWRpcmVjdCZkb05vdExvZ0NsaWNrPXRydWU= (Year: 2020).\*  
Magid N95 Respirator Masks, Oct. 20, 2020, amazon.com [online], [site visited Aug. 1, 2022], Available from internet, URL: <https://www.amazon.com/Respirator-Latex-Free-Elastic-Headbands-Construction/dp/B08LH1DKS6/ref=sr\_1\_32?crid=20NDG2ZR057JF&keywords=clear+face+mask+respirator+valve&qid=1659378042&prefix=clear+face+mask+respirator+valve%2Caps%2C61&sr=8-32> (Year: 2020).\*

\* cited by examiner

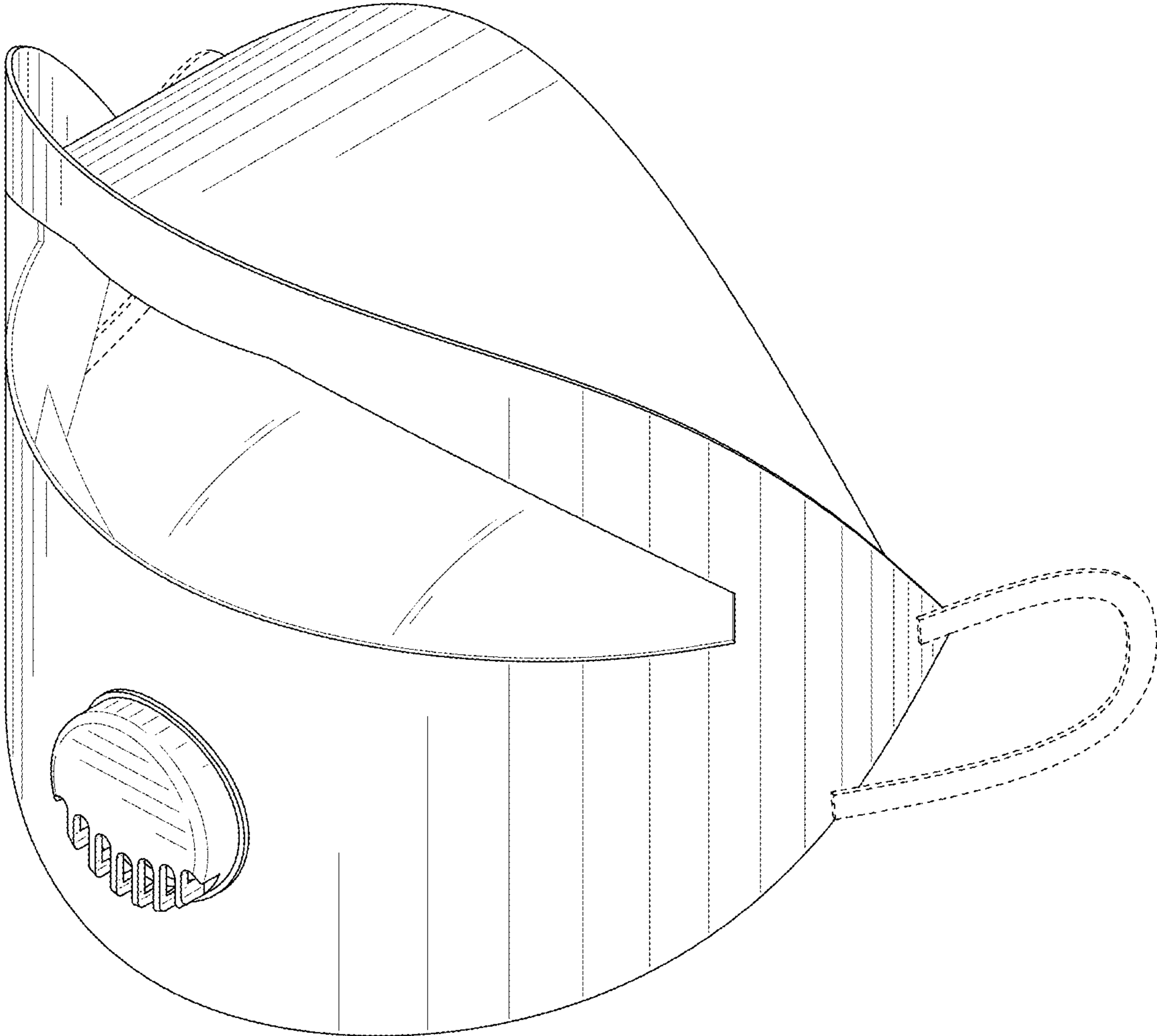


FIG. 1



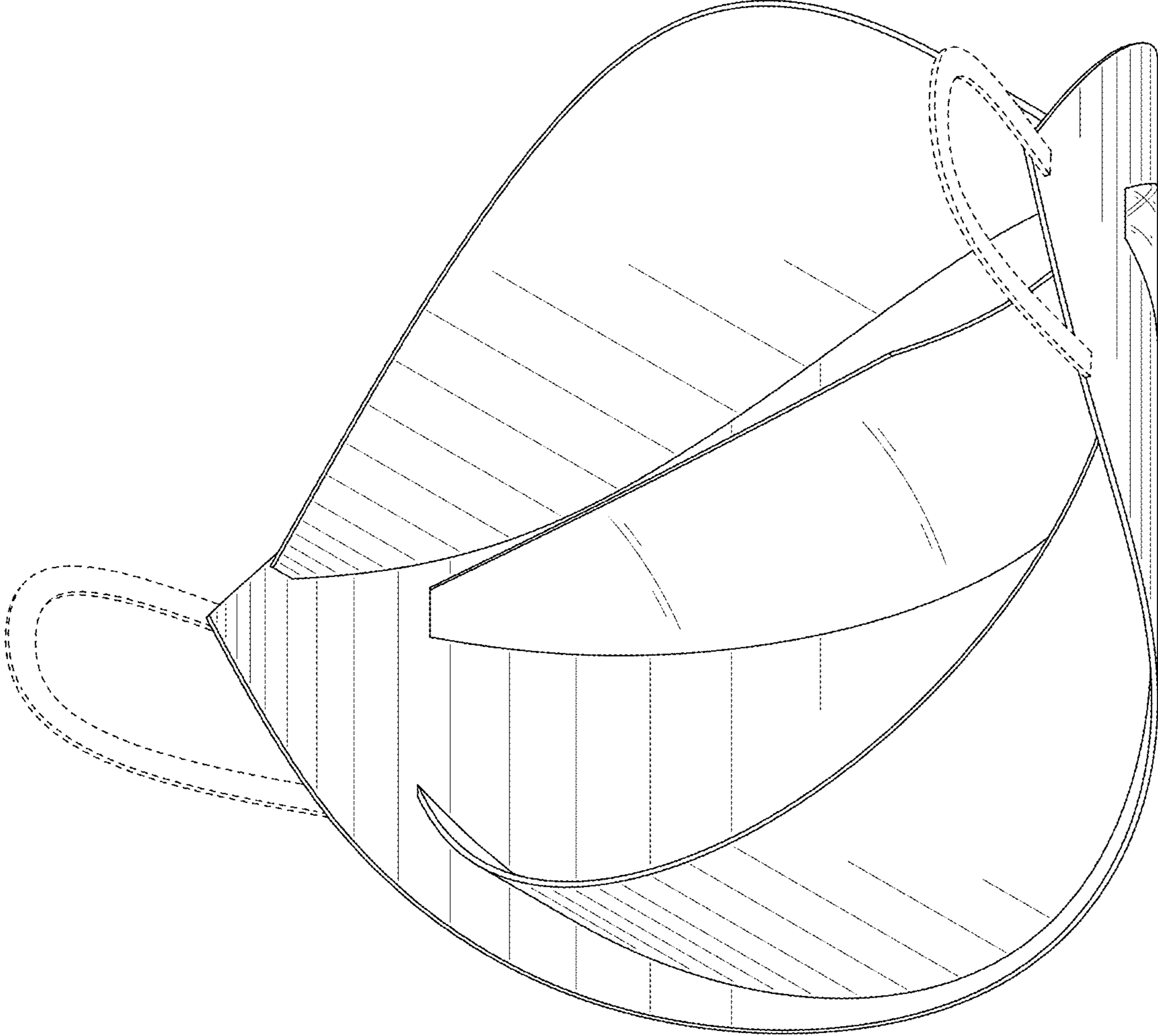


FIG. 2

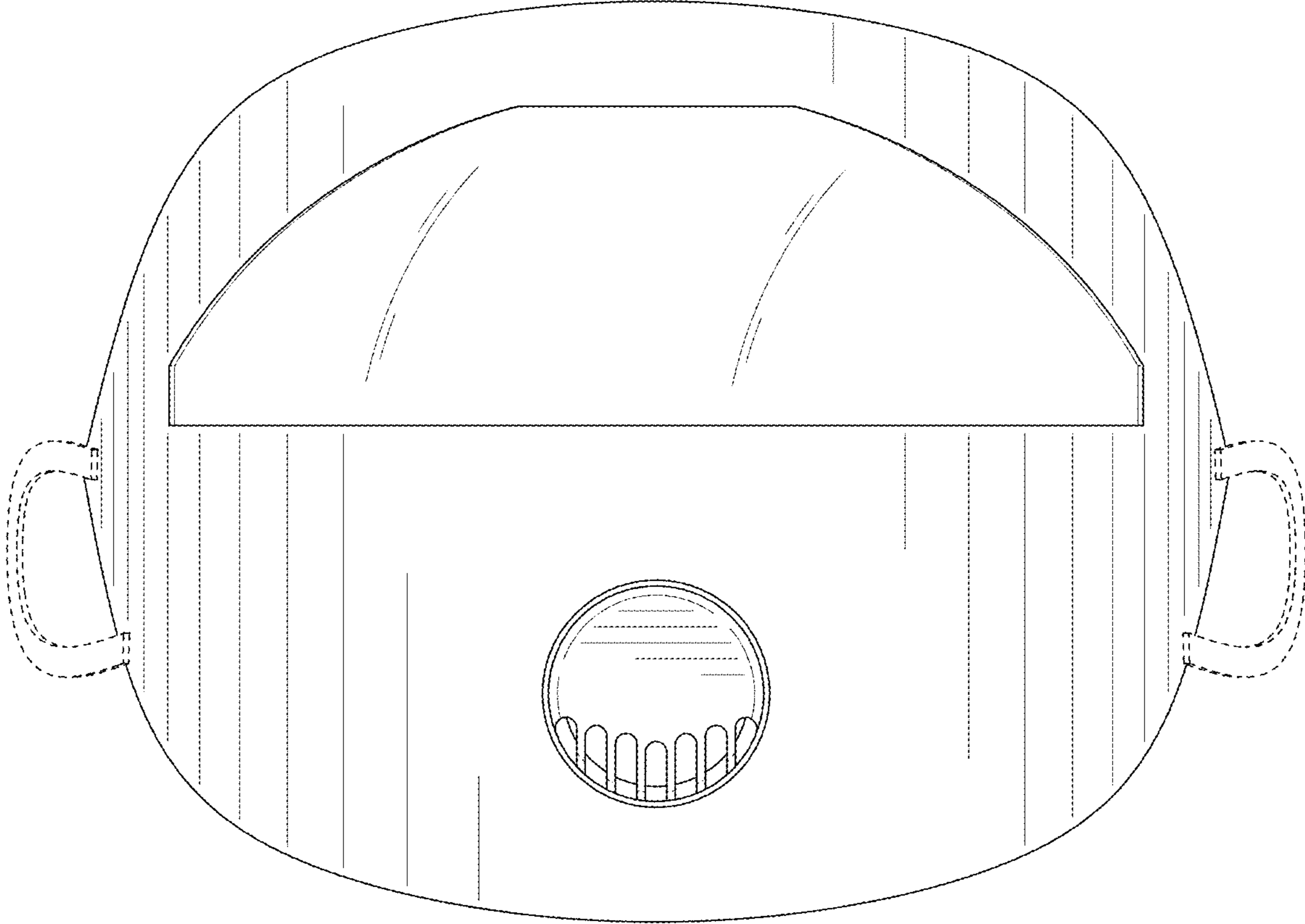


FIG. 3

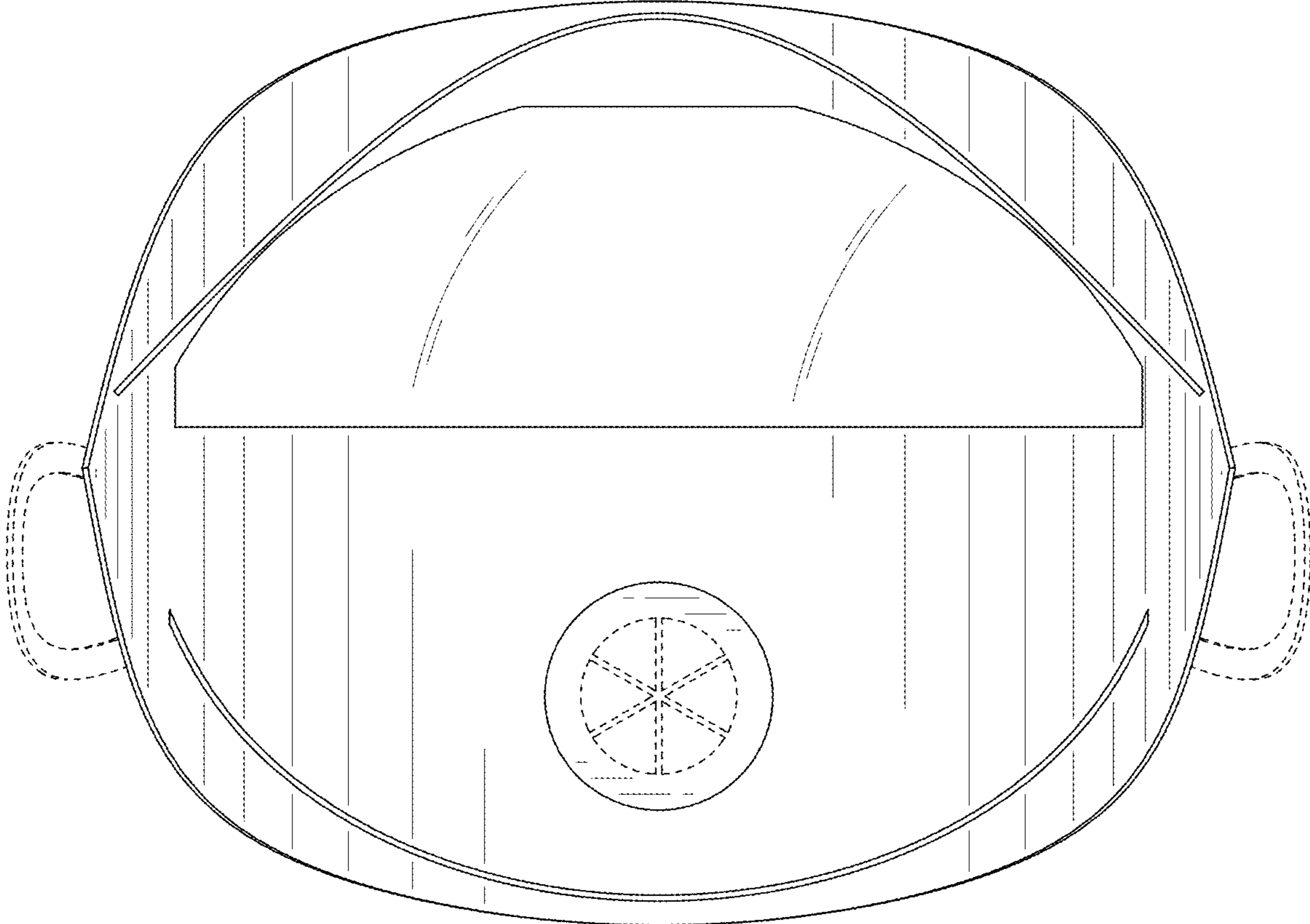


FIG. 4

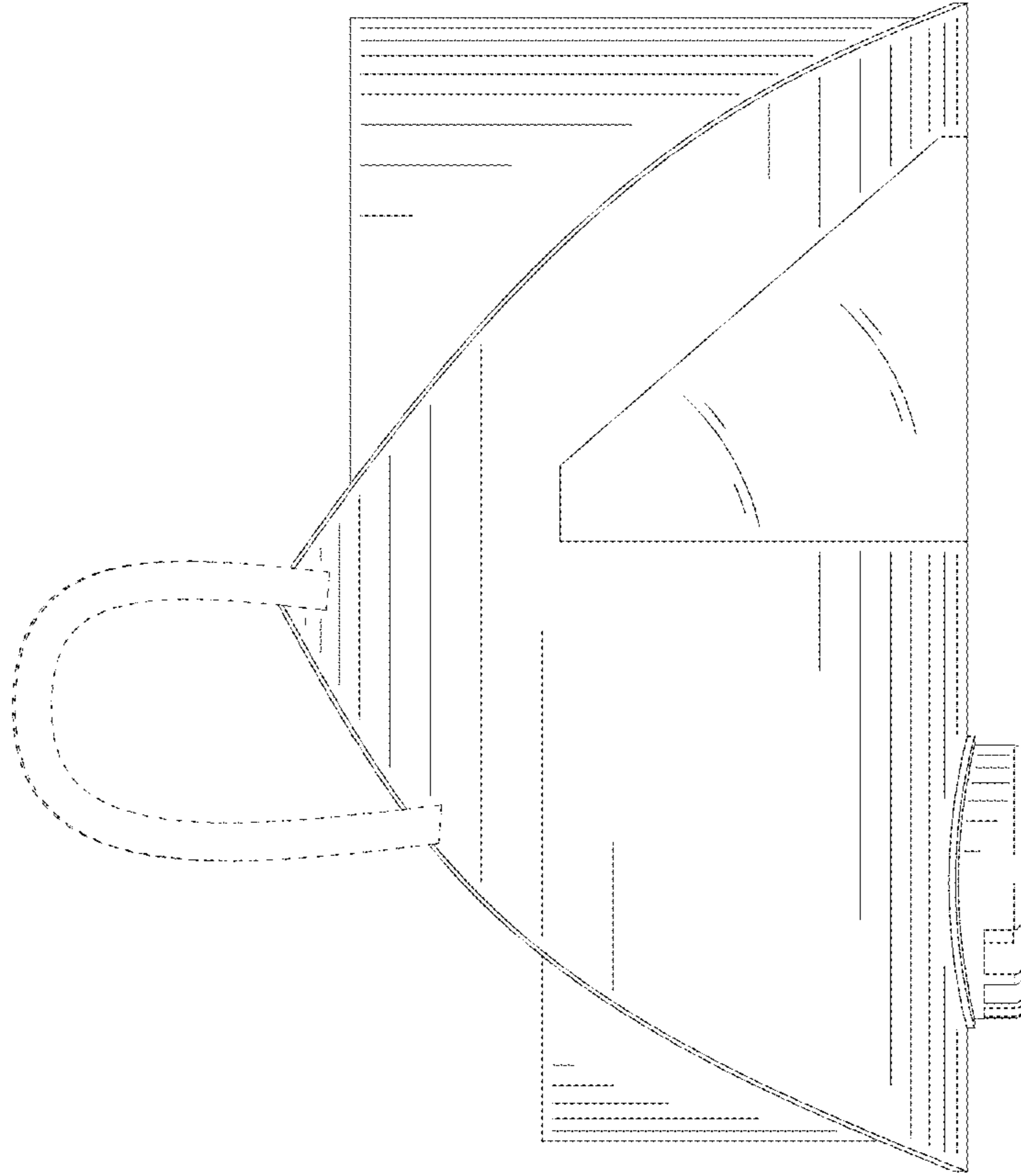


FIG. 5

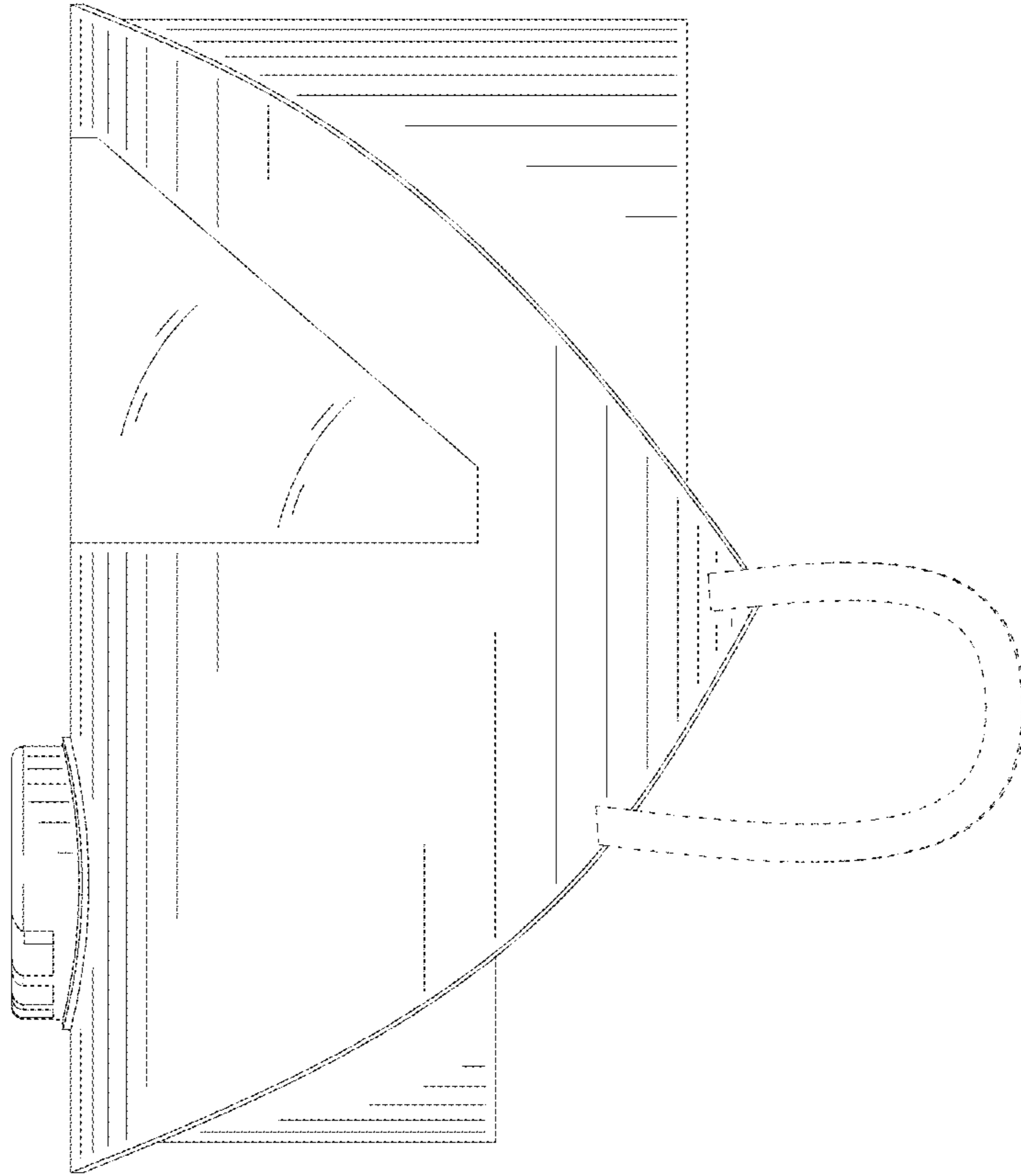


FIG. 6



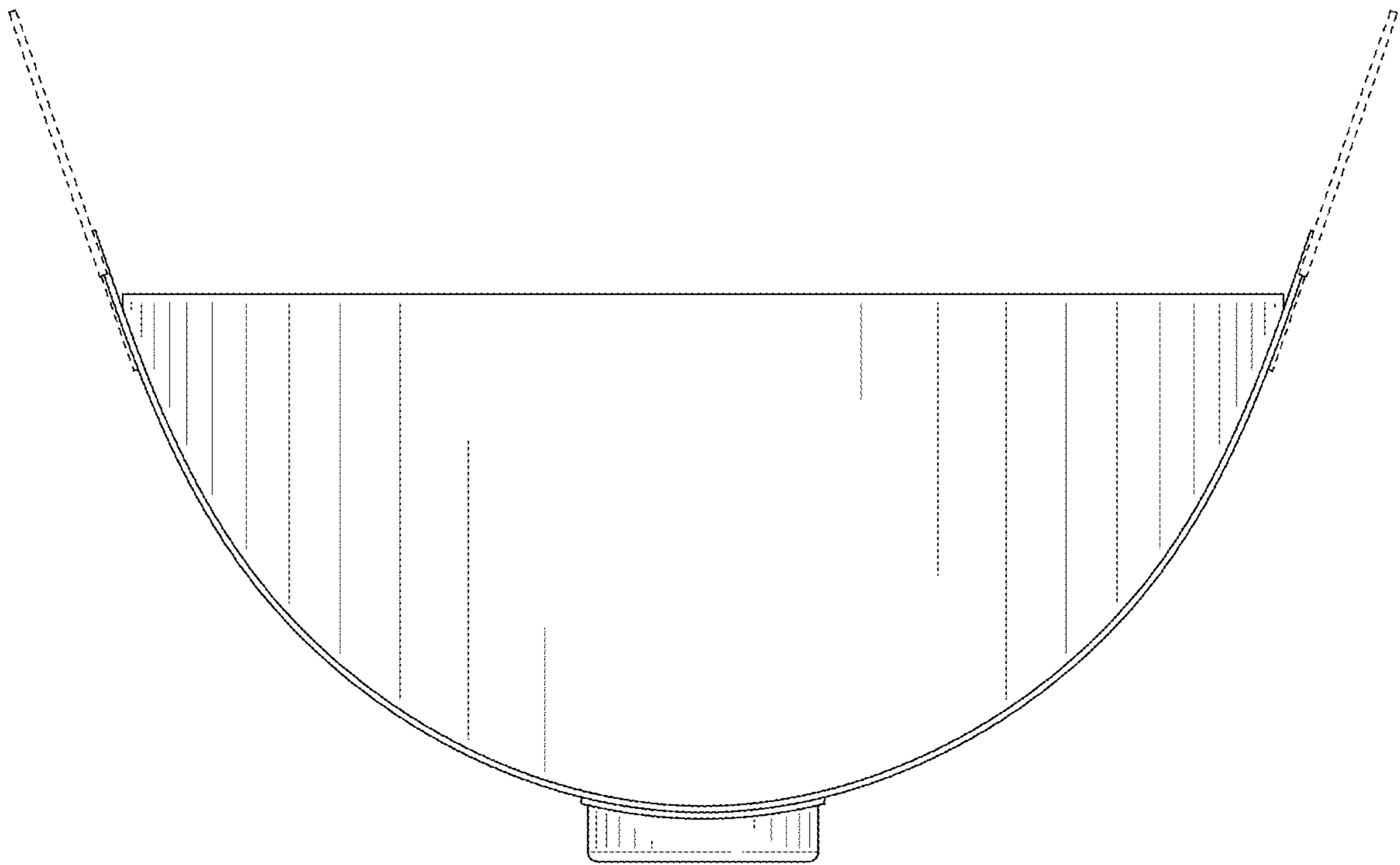


FIG. 7

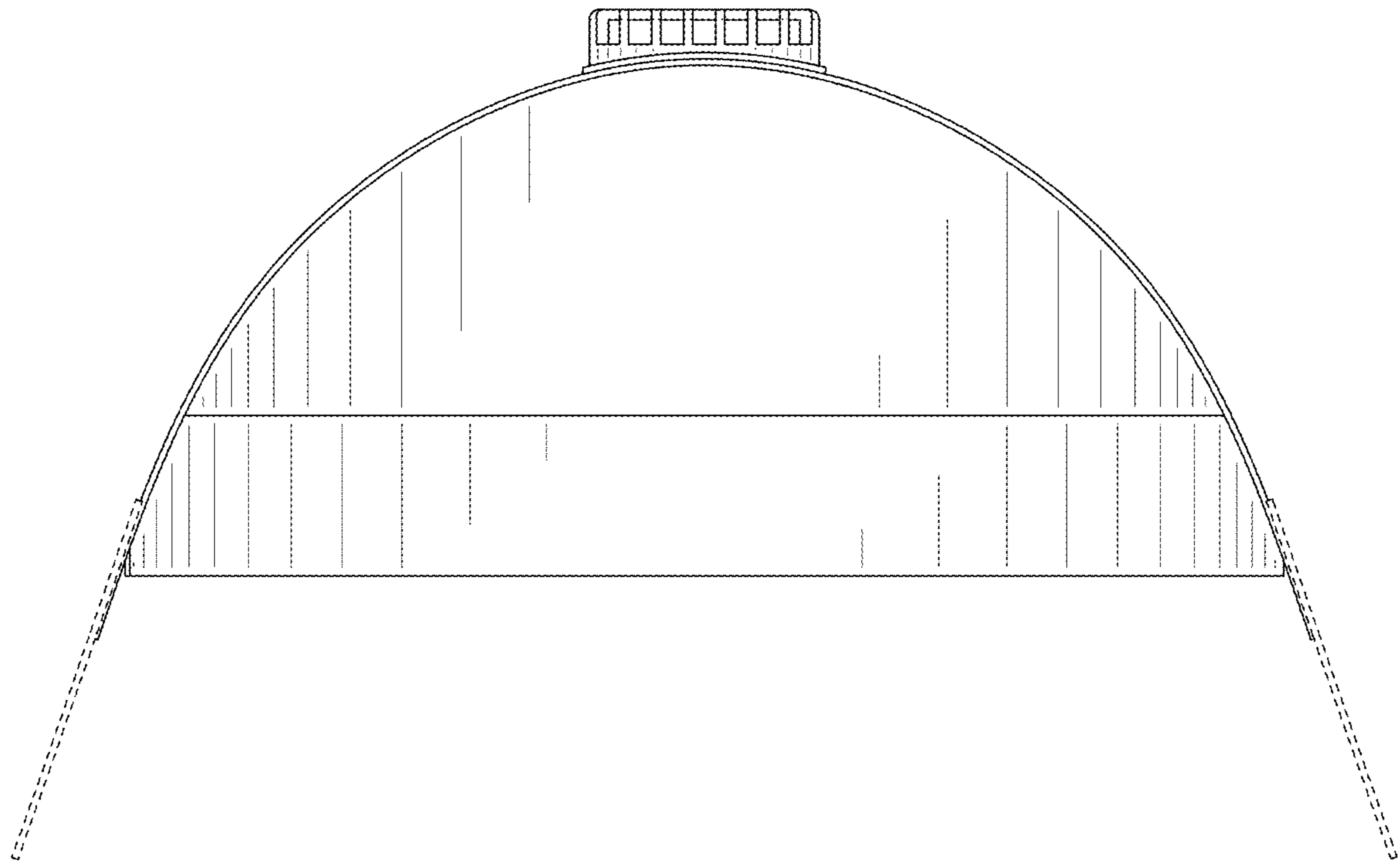


FIG. 8

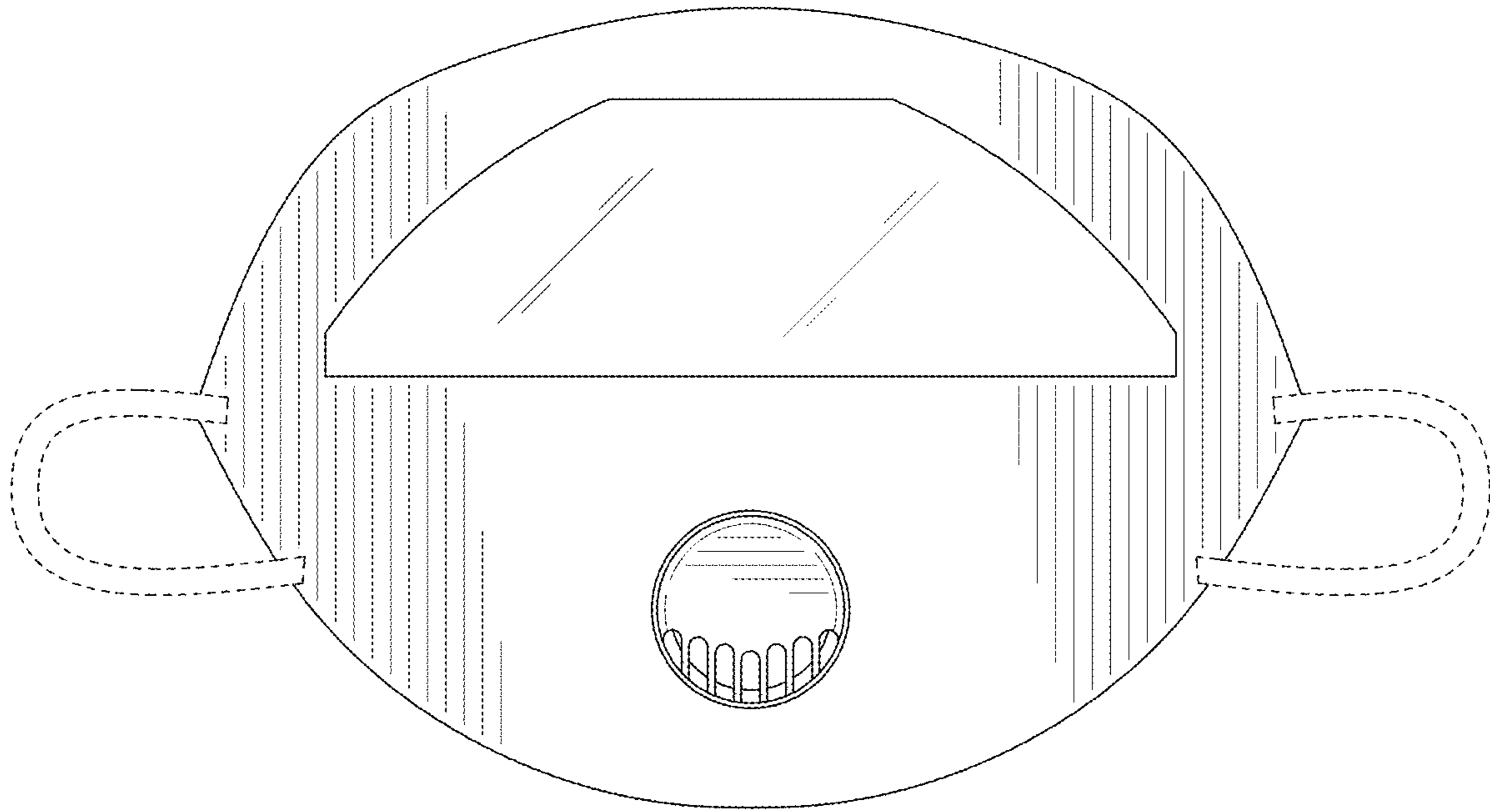


FIG. 9