



US00D984630S

(12) **United States Design Patent** (10) **Patent No.:** **US D984,630 S**
Leibitzki et al. (45) **Date of Patent:** **** Apr. 25, 2023**

(54) **TRANSLUCENT DEVICE FOR SMOKE EVACUATION FOR A LAPAROSCOPIC PROCEDURE**

D657,046 S * 4/2012 Terry D24/110
D657,047 S * 4/2012 Minskoff D24/110
D696,768 S * 12/2013 Karlsson D24/110.5
D815,729 S * 4/2018 Guala D24/129
D851,243 S * 6/2019 Gloria Bello D24/129
D851,759 S * 6/2019 Jones D24/129
D873,996 S * 1/2020 Sanders D24/129

(71) Applicant: **PRIMED HALBERSTADT MEDIZINTECHNIK GMBH**, Halberstadt (DE)

(Continued)

(72) Inventors: **Sascha Leibitzki**, Blankenburg (DE); **Steffen Suess**, Quedlinburg (DE)

Primary Examiner — Richard Kearney
Assistant Examiner — Michael Hoffman

(73) Assignee: **Primed Halberstadt Medizintechnik GmbH**, Halberstadt (DE)

(74) *Attorney, Agent, or Firm* — Cohen & Hildebrand, PLLC

(**) Term: **15 Years**

(57) **CLAIM**

(21) Appl. No.: **29/788,410**

The ornamental design for a translucent device for smoke evacuation for a laparoscopic procedure, as shown and described.

(22) Filed: **May 19, 2021**

(51) **LOC (14) Cl.** **24-02**

(52) **U.S. Cl.**
USPC **D24/108**

DESCRIPTION

(58) **Field of Classification Search**
USPC D23/209, 233, 247, 262; D24/107, 108, D24/110, 110.6, 111, 127, 129, 144, 164; 285/308, 391
CPC A61M 16/0816; A61M 16/0833; A61M 16/085; A61M 16/0858; A61M 16/0875
See application file for complete search history.

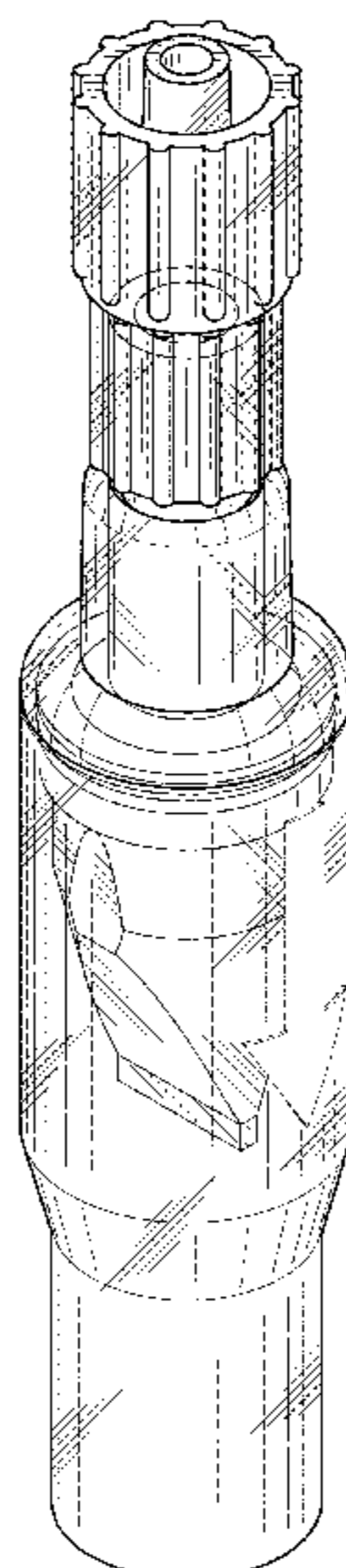
FIG. 1 is isometric view a translucent device for smoke evacuation for a laparoscopic procedure.
FIG. 2 is a first front view of the translucent device for smoke evacuation for a laparoscopic procedure.
FIG. 3 is the second front view of the translucent device for smoke evacuation for a laparoscopic procedure, turned by 90 degrees compared to FIG. 2.
FIG. 4 is a top view of the translucent device for smoke evacuation for a laparoscopic procedure.
FIG. 5 is a bottom view of the translucent device for smoke evacuation for a laparoscopic procedure.
FIG. 6 is a cross sectional view of the translucent device for smoke evacuation for a laparoscopic procedure; and,
FIG. 7 is an exploded view of the translucent device for smoke evacuation for a laparoscopic procedure.
The broken lines shown in the drawings illustrate portions of the article that form no part of the claimed design.

(56) **References Cited**

U.S. PATENT DOCUMENTS

4,861,266 A * 8/1989 Ashiku A61C 17/08 433/95
D380,037 S * 6/1997 Grantham D23/262
6,231,089 B1 * 5/2001 DeCler F16L 37/0841 285/308
D473,646 S * 4/2003 Baillargeon D24/129
D484,593 S * 12/2003 Baillargeon D24/129
D485,616 S * 1/2004 Baillargeon D24/129
7,568,737 B2 * 8/2009 Wells F16L 37/1215 285/391

1 Claim, 5 Drawing Sheets



(56)

References Cited

U.S. PATENT DOCUMENTS

2006/0129089 A1* 6/2006 Stamp A61M 5/30
604/93.01
2021/0137888 A1* 5/2021 Sabherwal A61K 36/758

* cited by examiner

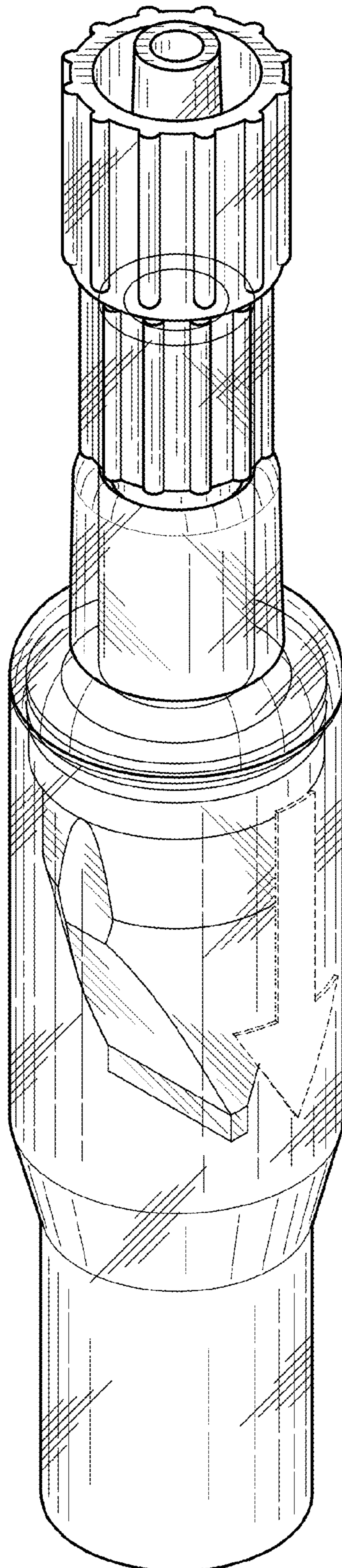


FIG. 1

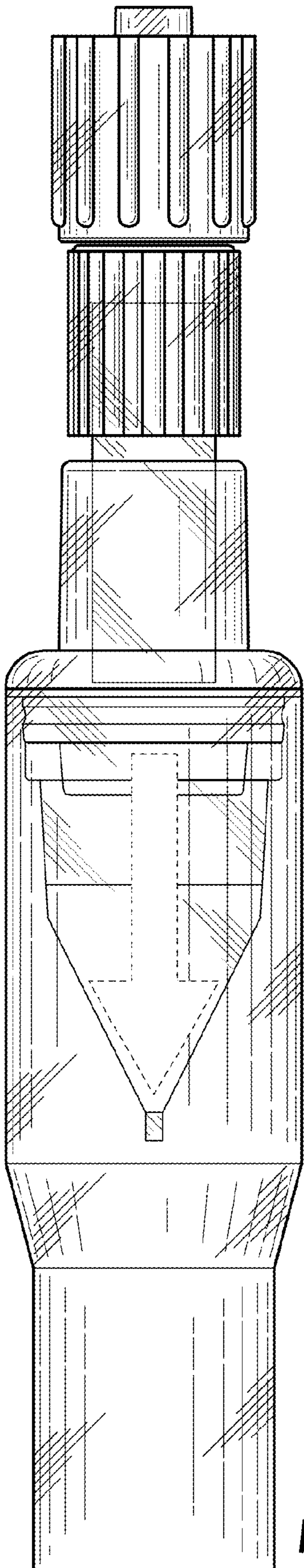


FIG. 2

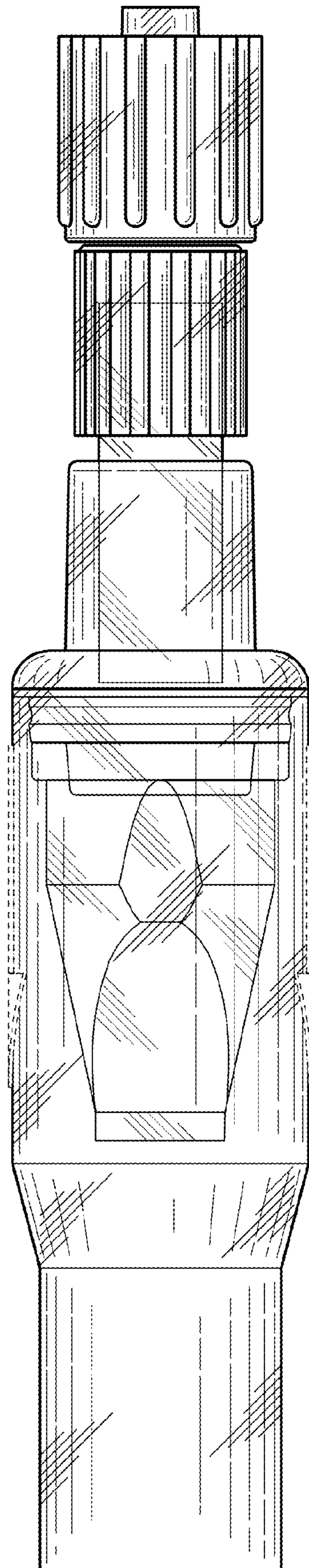


FIG. 3

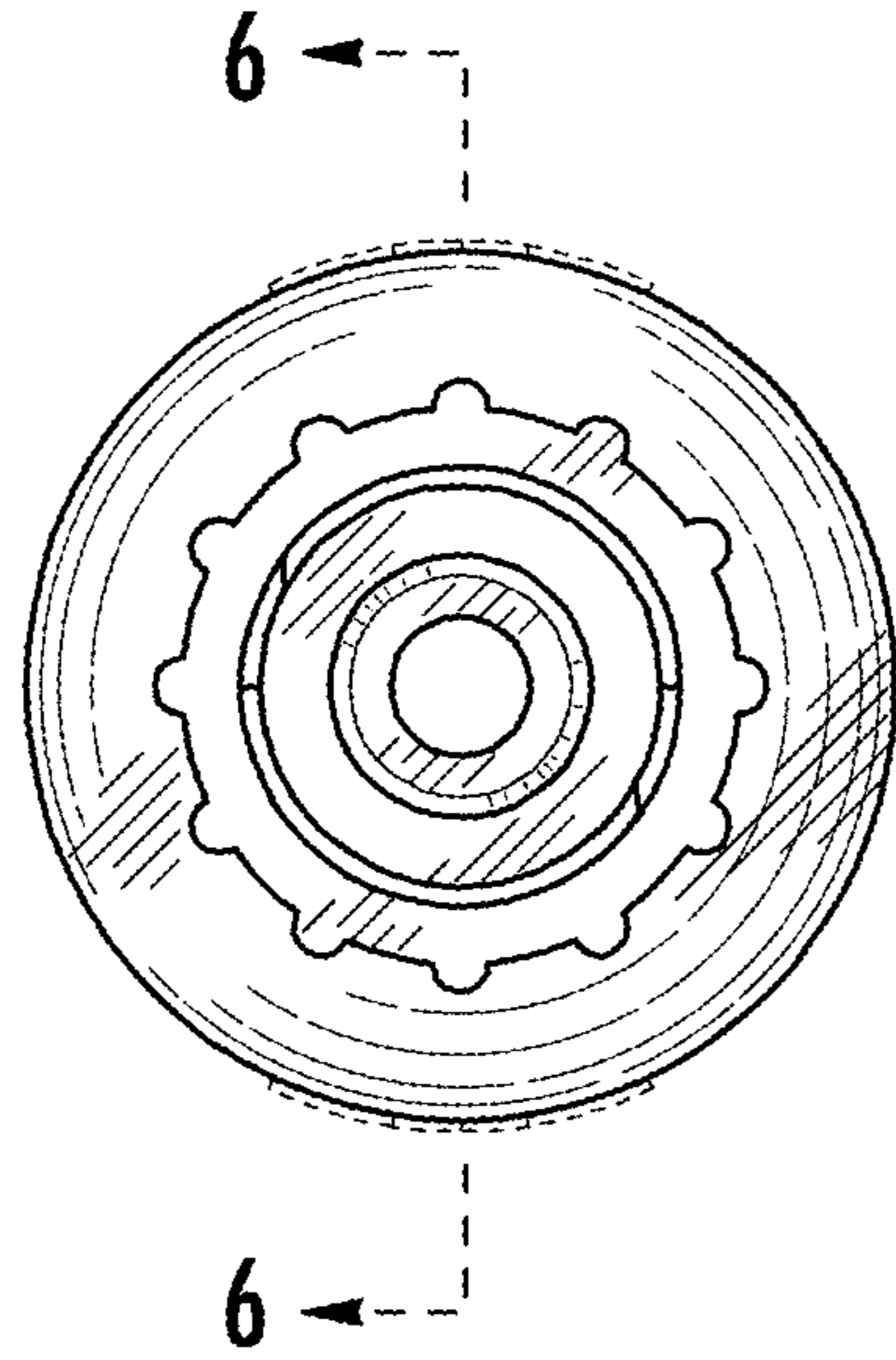


FIG. 4

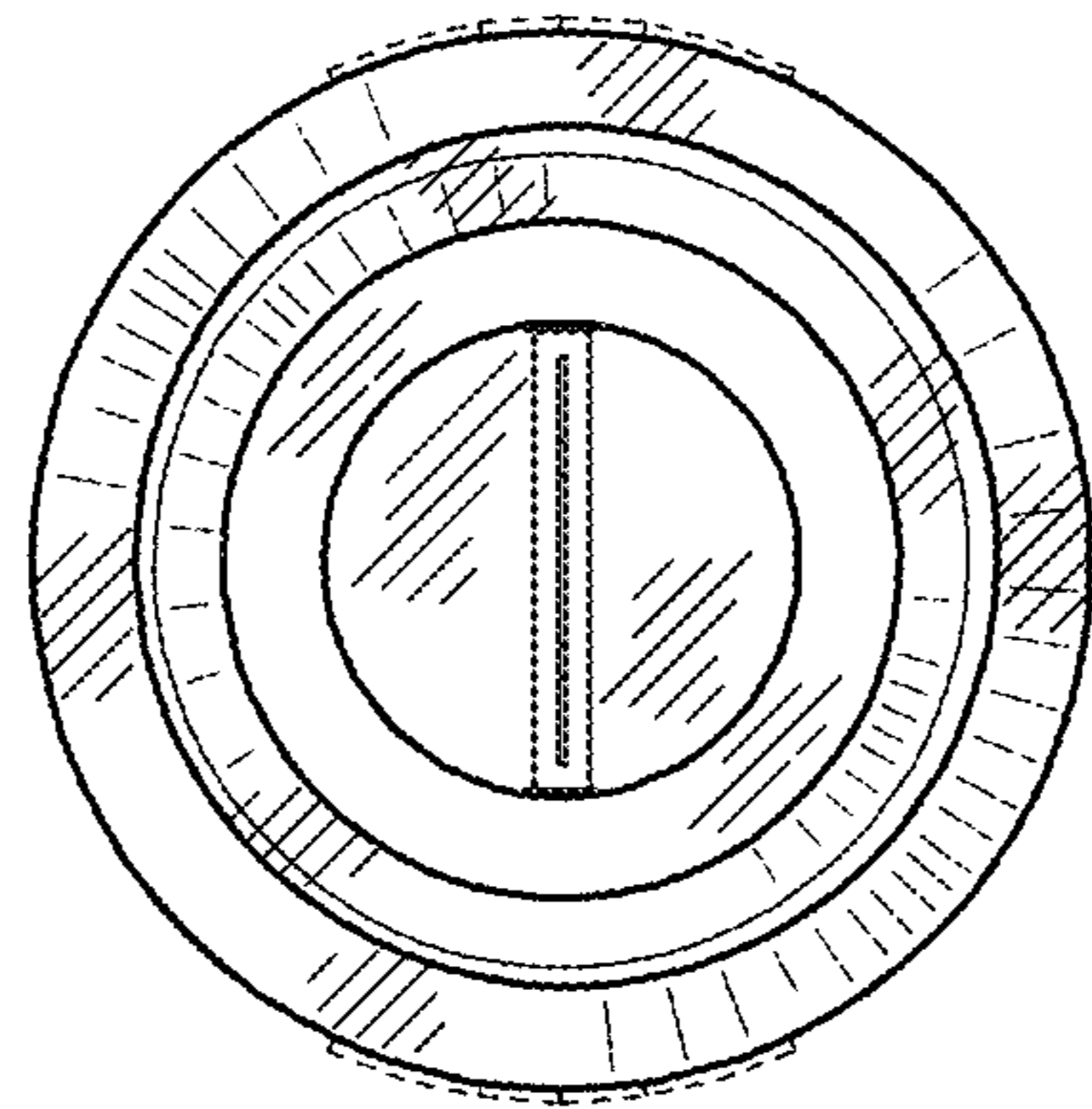


FIG. 5

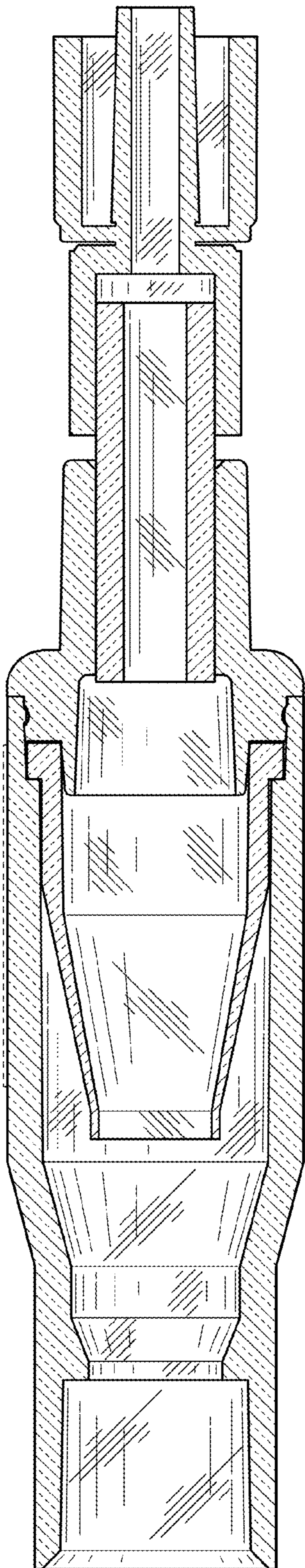


FIG. 6

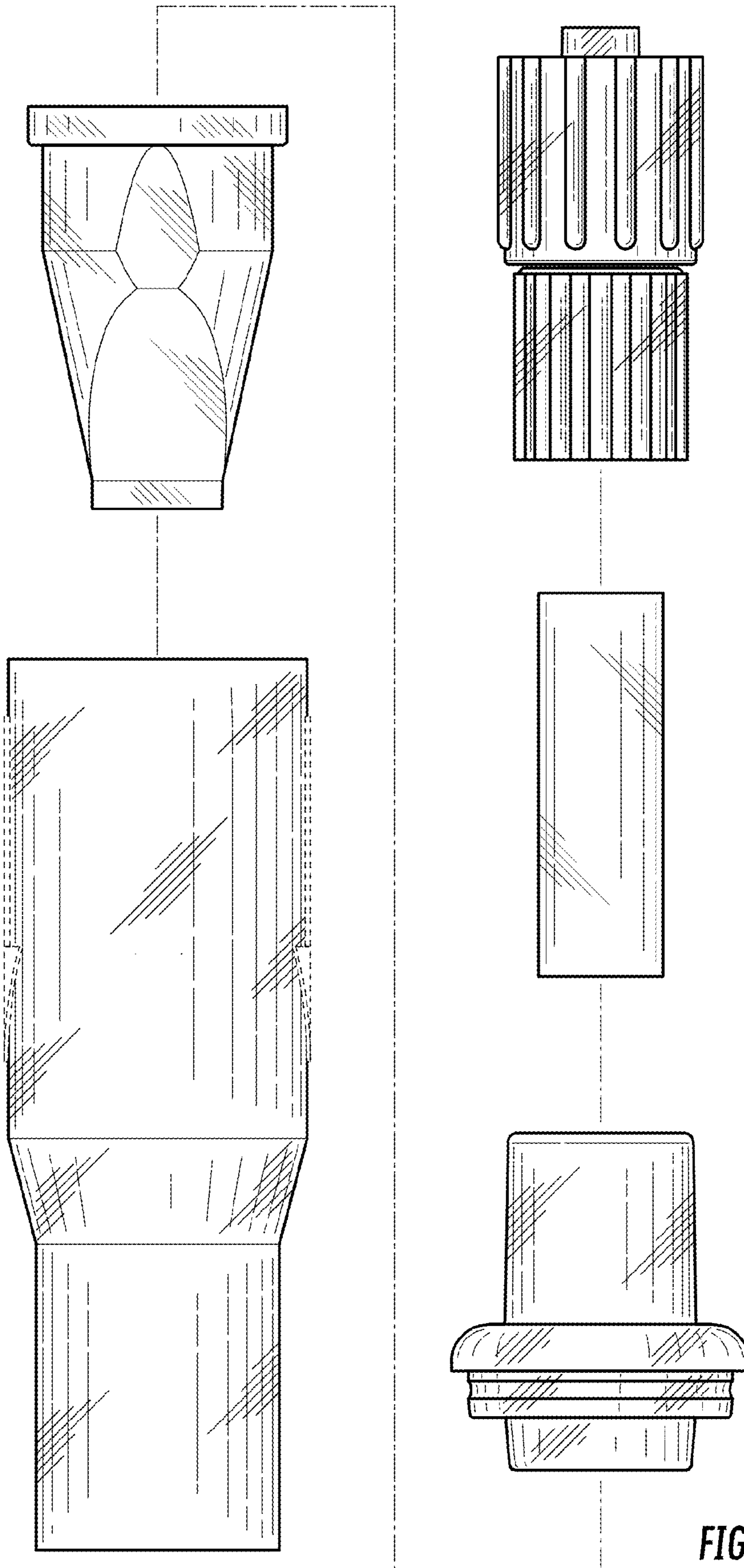


FIG. 7