



US00D984629S

(12) **United States Design Patent**  
**Ye et al.**

(10) **Patent No.:** **US D984,629 S**  
(45) **Date of Patent:** **\*\* Apr. 25, 2023**

(54) **FAN**

(71) Applicant: **THE NEW GENIUS(SZ) TECHNOLOGY CO., LIMITED,**  
Guangdong (CN)

(72) Inventors: **Jianrong Ye, Guangdong (CN); Dong Chen, Guangdong (CN)**

(73) Assignee: **THE NEW GENIUS(SZ) TECHNOLOGY CO., LIMITED,**  
Guangdong (CN)

(\*\*) Term: **15 Years**

(21) Appl. No.: **29/787,979**

(22) Filed: **Jun. 9, 2021**

(30) **Foreign Application Priority Data**

May 24, 2021 (CN) ..... 202130311194.8

(51) **LOC (14) Cl.** ..... **23-04**

(52) **U.S. Cl.**  
USPC ..... **D23/382**

(58) **Field of Classification Search**  
USPC ..... D23/370, 380-382, 351  
CPC ..... F04D 25/084; F04D 25/166  
See application file for complete search history.

(56) **References Cited**

**U.S. PATENT DOCUMENTS**

D754,318 S *	4/2016	Thirouin	.....	D23/370
D910,160 S *	2/2021	Hsu	.....	D23/382
D923,773 S *	6/2021	Wang	.....	D23/382
D933,803 S *	10/2021	He	.....	D23/382
D938,008 S *	12/2021	Xu	.....	D23/382
D940,850 S *	1/2022	He	.....	D23/382
D946,135 S *	3/2022	Tam	.....	D23/382
D953,506 S *	5/2022	Shen	.....	D23/364
D953,516 S *	5/2022	Chen	.....	D23/382

11,326,611 B1 *	5/2022	Huang	.....	F04D 29/624
D963,151 S *	9/2022	He	.....	D23/382
D964,540 S *	9/2022	Huang	.....	D23/370
D966,486 S *	10/2022	Chen	.....	D23/370

**OTHER PUBLICATIONS**

SkyGenius battery powered octopus clip on fan with tripod legs for stroller, reviewed Jun. 8, 2020 on SkyGenius.cc <<https://skygenius.cc/products/battery-powered-octopus-clip-on-fan-with-tripod-legs-for-baby-stroller>> (Year: 2020).\*

\* cited by examiner

*Primary Examiner* — Janice Hallmark

(74) *Attorney, Agent, or Firm* — ScienBiziP, P.C.

(57) **CLAIM**

The ornamental design for a fan, as shown and described.

**DESCRIPTION**

FIG. 1 is a front, right, and top perspective view of a fan, showing our design.  
FIG. 2 is a rear, left, and bottom perspective view thereof.  
FIG. 3 is a front elevation view thereof.  
FIG. 4 is a rear elevation view thereof.  
FIG. 5 is a left side elevation view thereof.  
FIG. 6 is a right side elevation view thereof.  
FIG. 7 is a top plan view thereof.  
FIG. 8 is a bottom plan view thereof; and,  
FIG. 9 is a front, right, and top perspective view of the fan of FIG. 1, wherein the legs of the fan are in a curved position.  
The broken lines shown in the drawings are included for the purpose of illustrating portions of the fan that form no part of the claimed design.

**1 Claim, 9 Drawing Sheets**



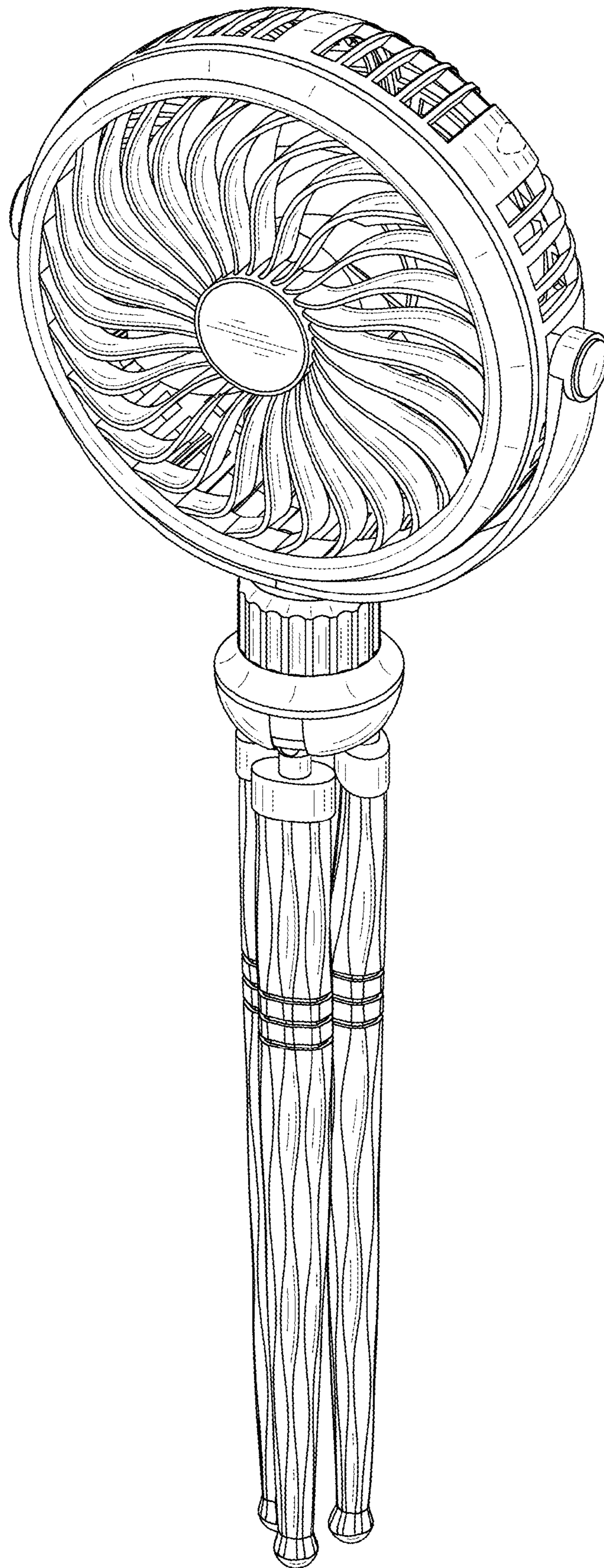


FIG. 1

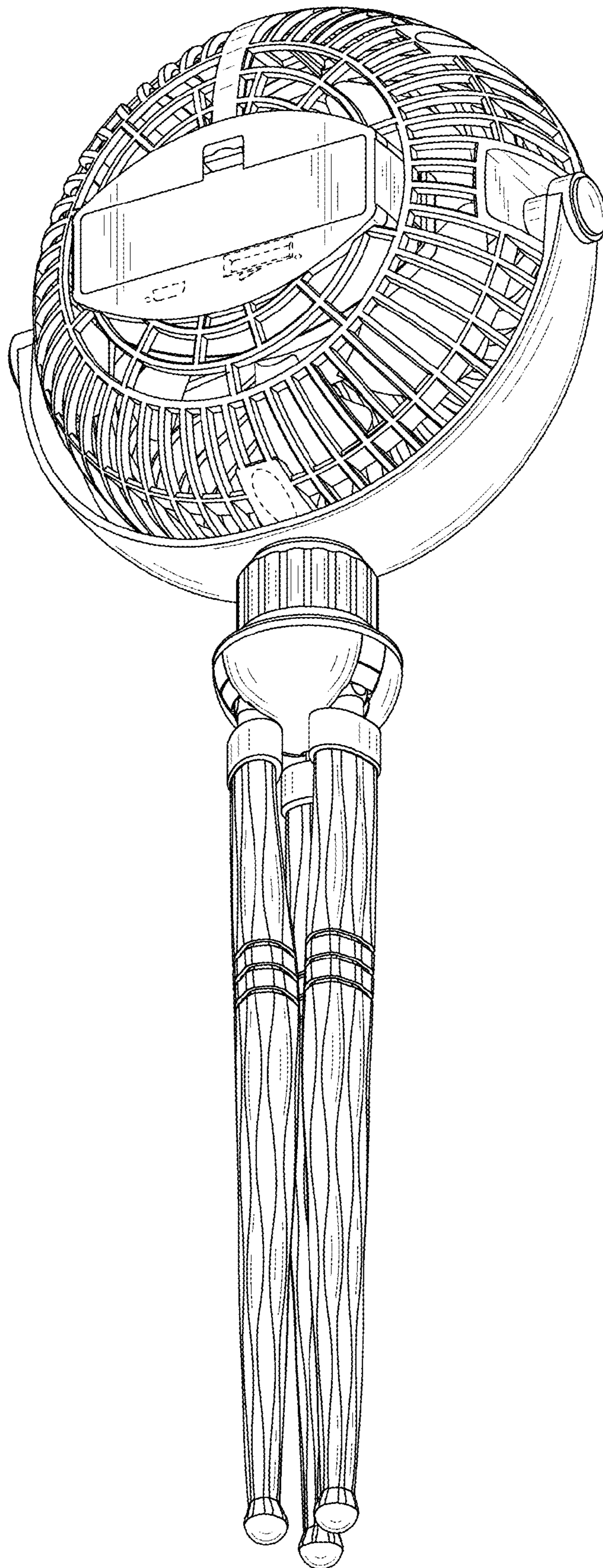


FIG. 2

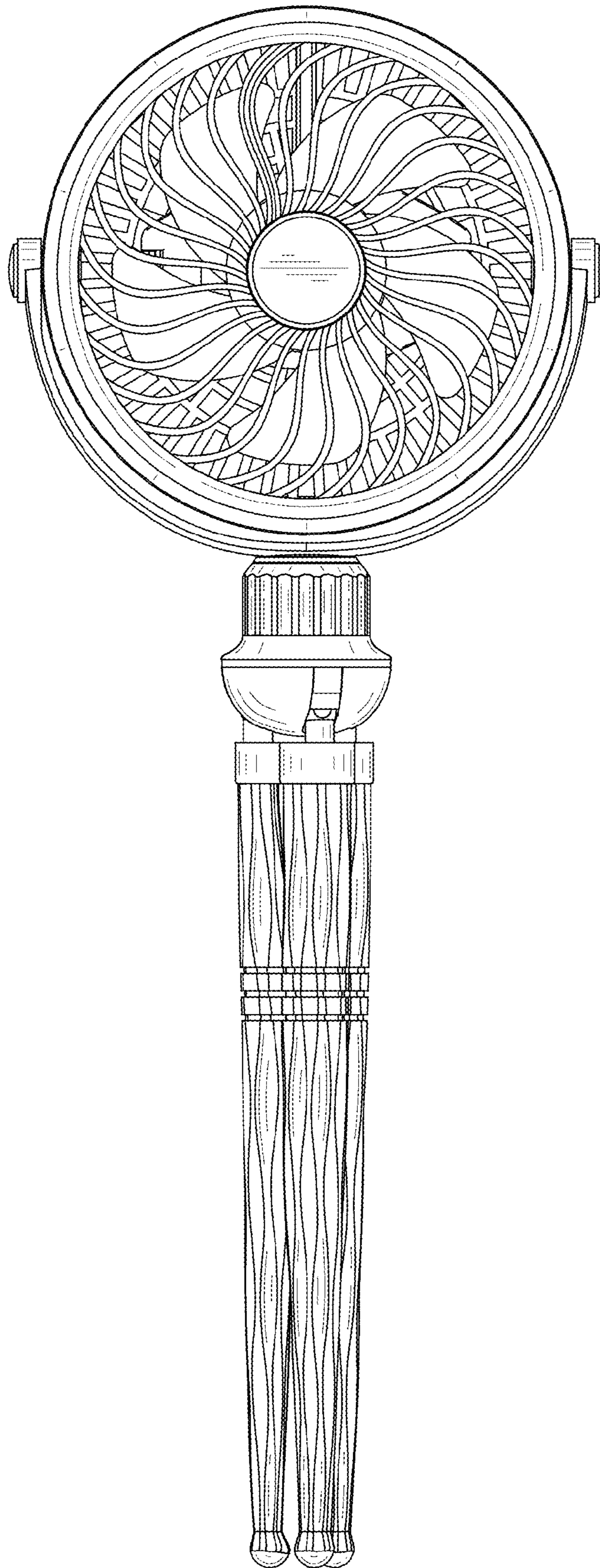


FIG. 3

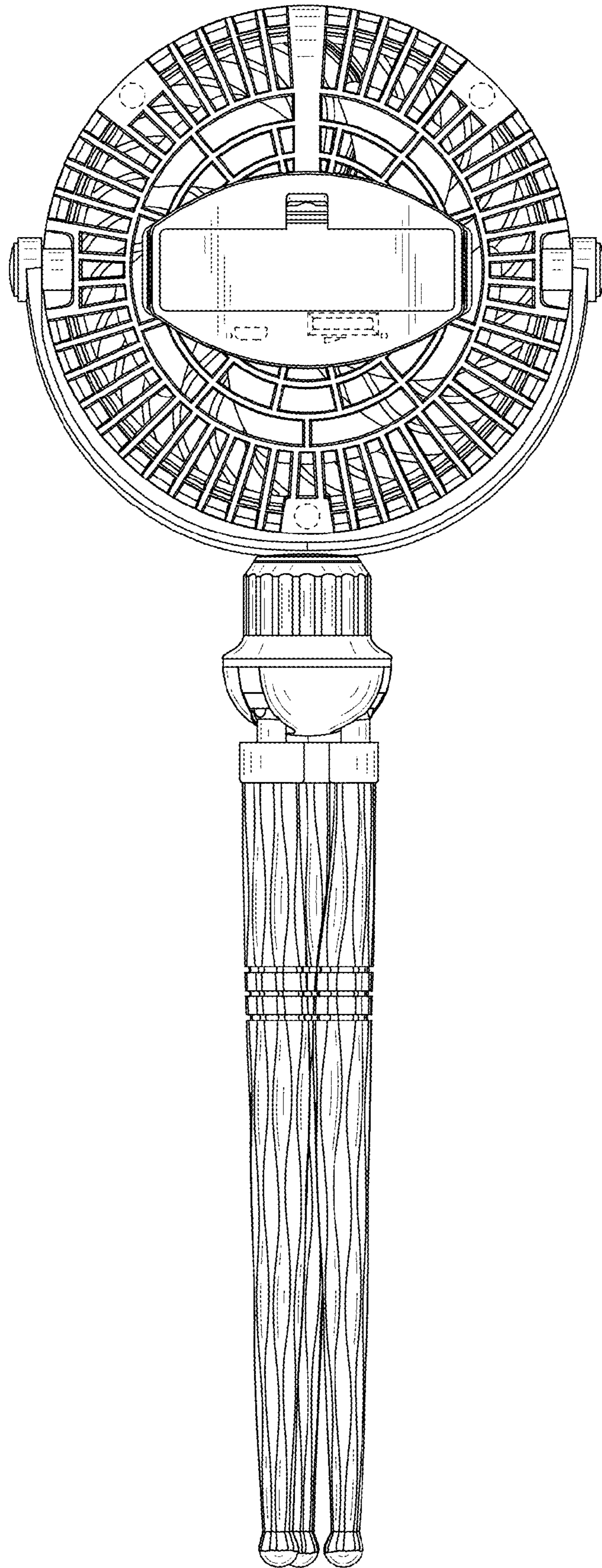


FIG. 4

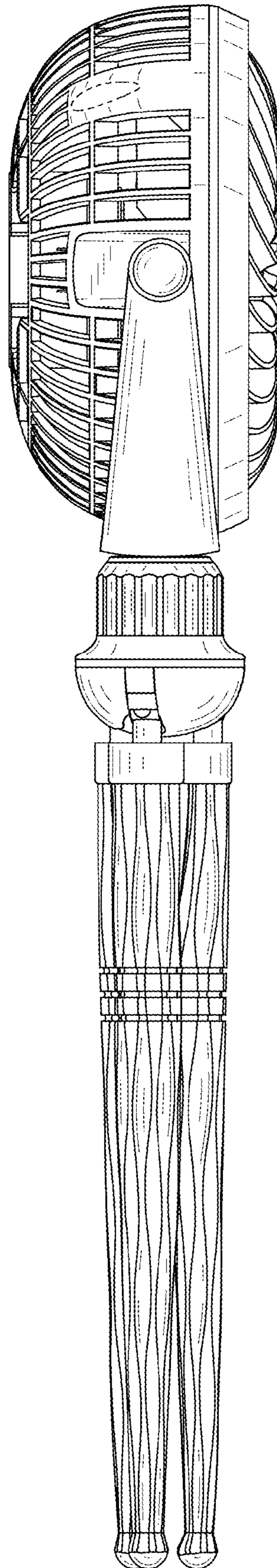


FIG. 5

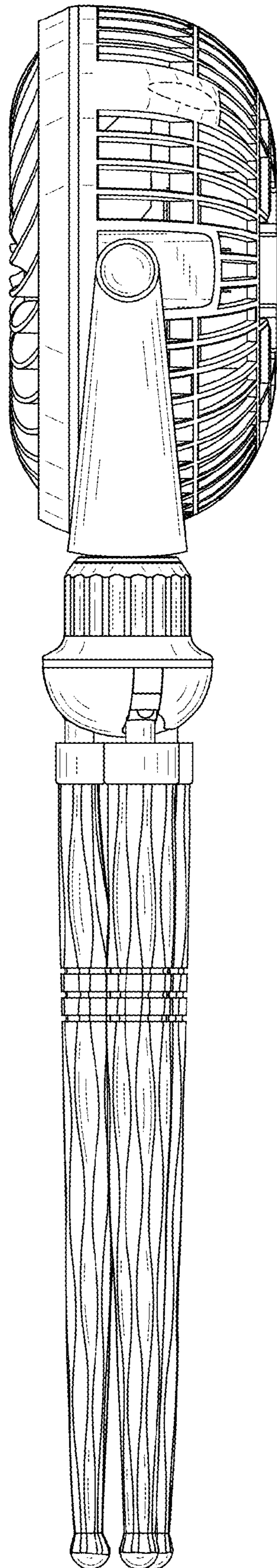


FIG. 6

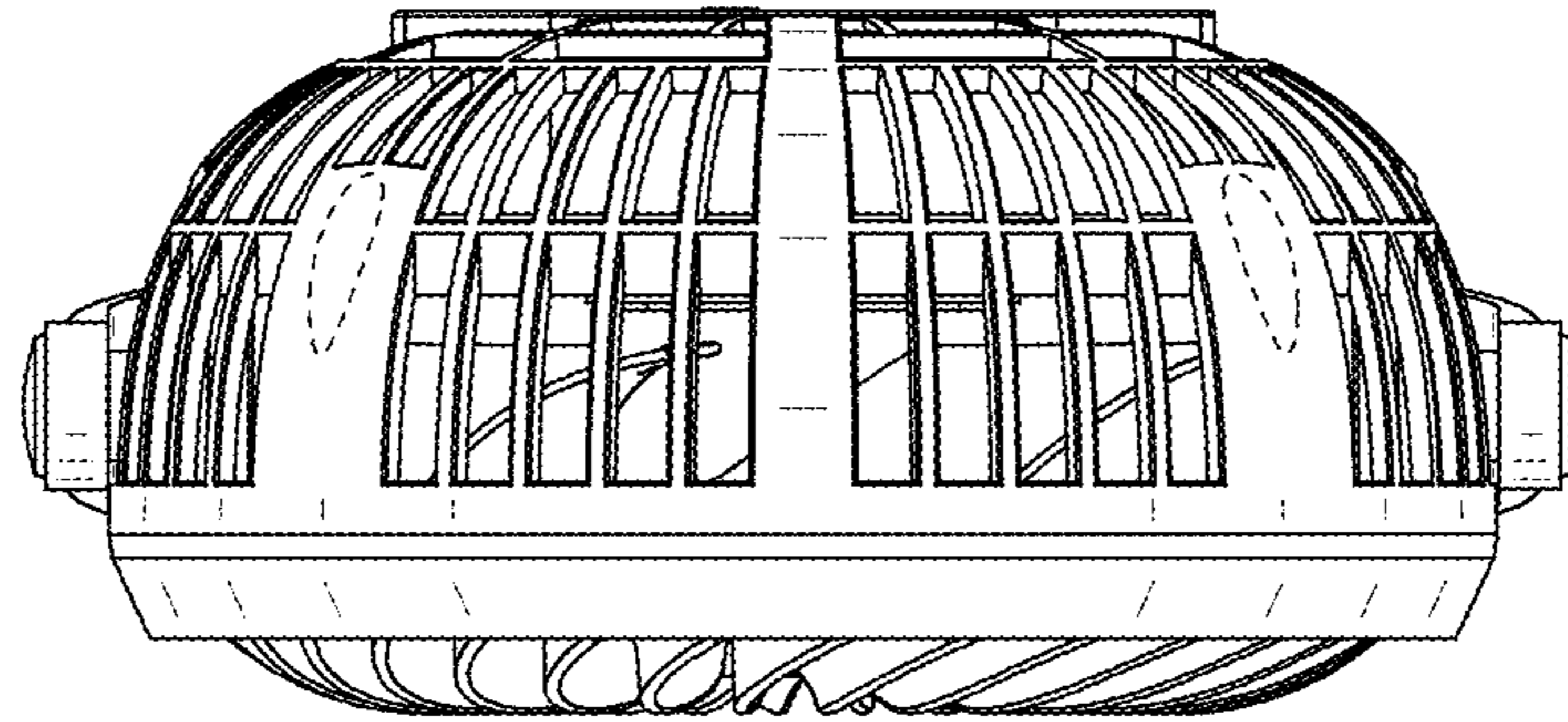


FIG. 7



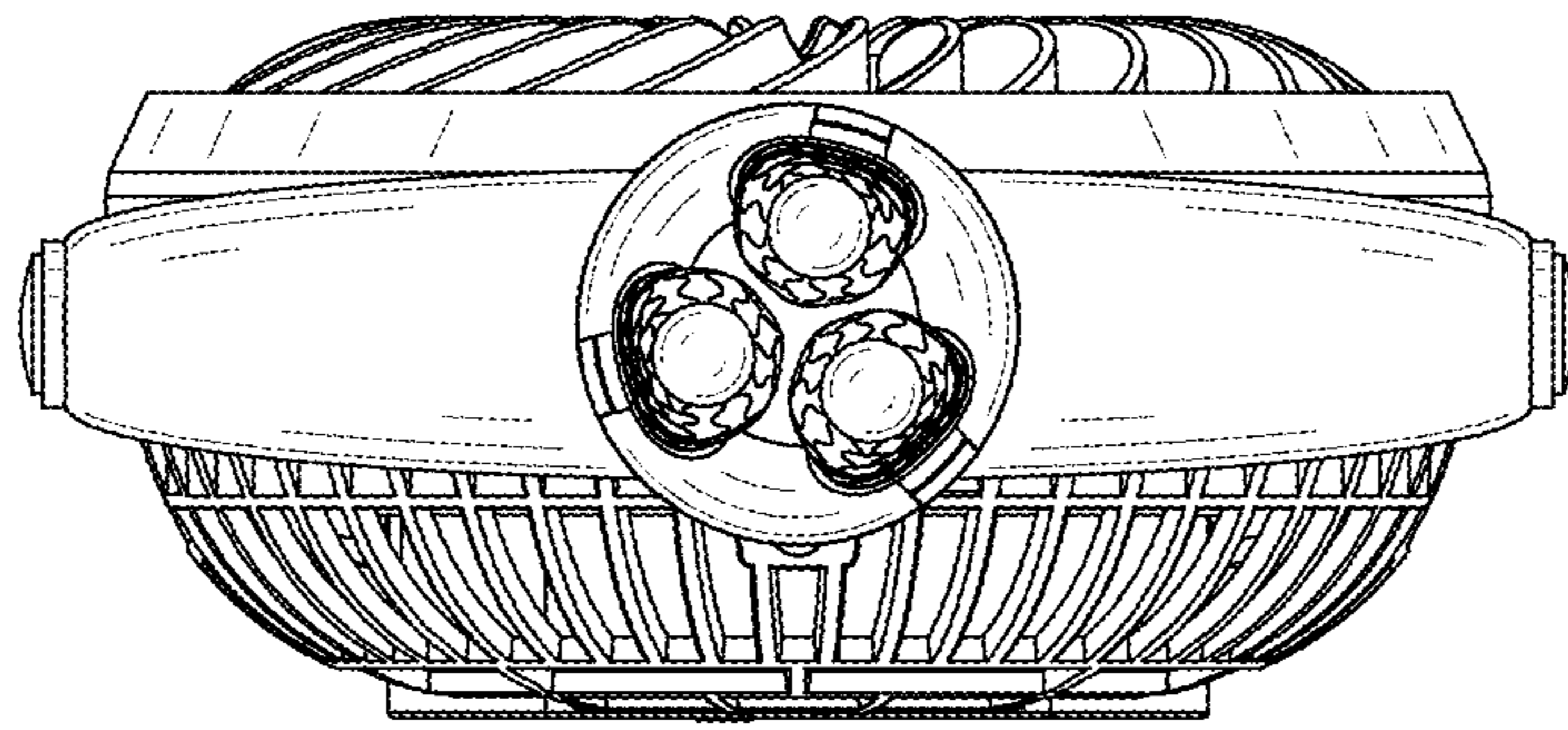


FIG. 8

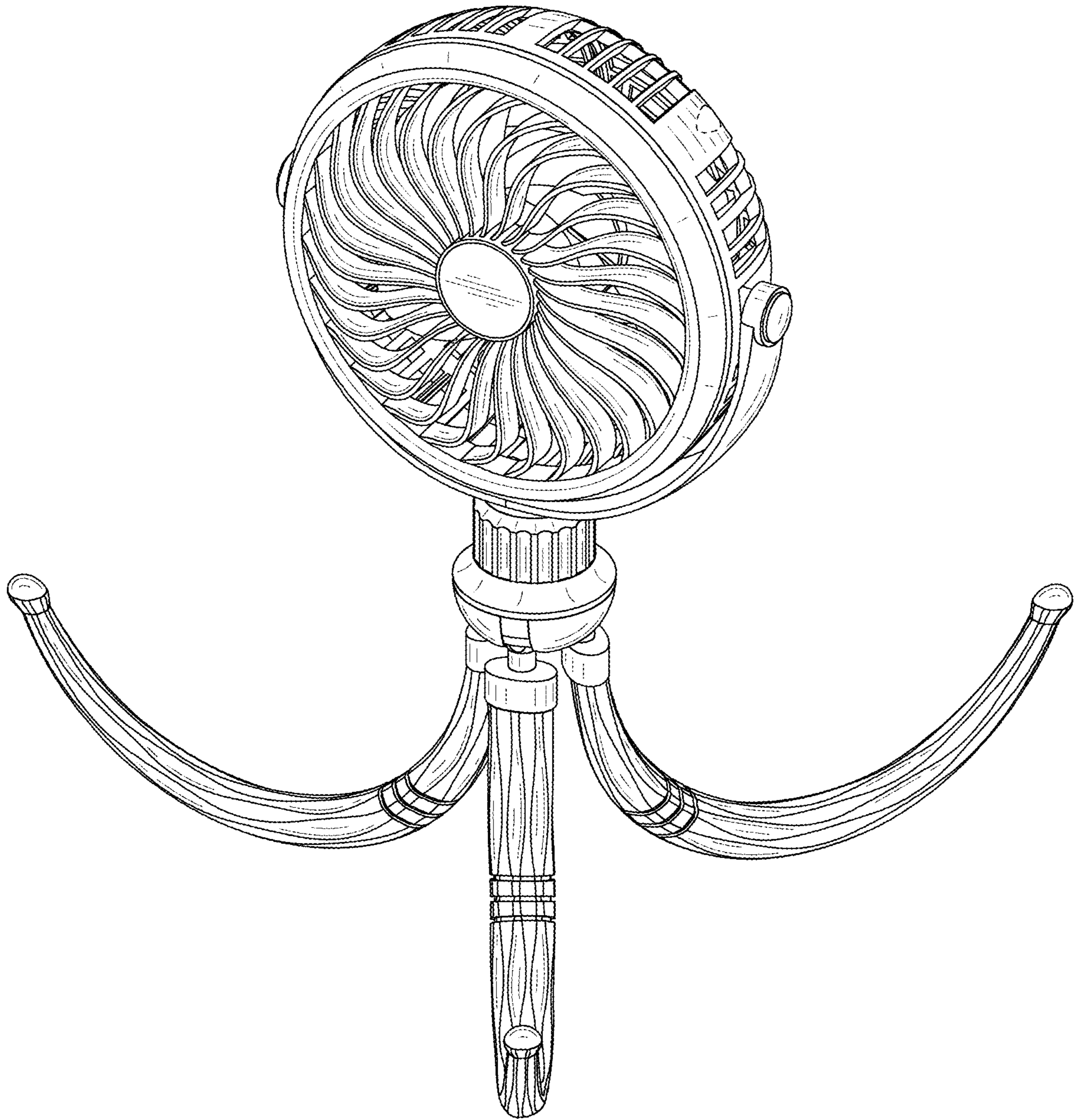


FIG. 9