



US00D984628S

(12) **United States Design Patent** (10) **Patent No.:** **US D984,628 S**
Shi (45) **Date of Patent:** **** Apr. 25, 2023**

- (54) **THREE-LEGGED FAN**
- (71) Applicant: **Zhongzhou Shi**, Shenzhen (CN)
- (72) Inventor: **Zhongzhou Shi**, Shenzhen (CN)
- (**) Term: **15 Years**
- (21) Appl. No.: **29/768,956**
- (22) Filed: **Feb. 2, 2021**
- (51) **LOC (14) Cl.** **23-04**
- (52) **U.S. Cl.**
USPC **D23/382**
- (58) **Field of Classification Search**
USPC D23/328, 332-337, 341, 351, 352, 355,
D23/356, 370, 371, 378, 381-383,
D23/411-412
CPC F04D 25/0673; F04D 25/08; F04D 25/084;
F04D 29/4226; F04D 25/086
See application file for complete search history.

(56) **References Cited**

U.S. PATENT DOCUMENTS

D754,318 S *	4/2016	Thirouin	D23/370
D902,374 S *	11/2020	Li	D23/382
D910,160 S *	2/2021	Hsu	D23/382
D923,773 S *	6/2021	Wang	D23/382
D940,294 S *	1/2022	Park	D23/382
D940,850 S *	1/2022	He	D23/382
D946,135 S *	3/2022	Tam	D23/382
D953,516 S *	5/2022	Chen	D23/382
11,326,611 B1 *	5/2022	Huang	F04D 25/084

D965,134 S * 9/2022 Lin D23/382
2007/0170320 A1 * 7/2007 Sun F04D 25/08
248/177.1

* cited by examiner

Primary Examiner — Sharon S Oum

(57) **CLAIM**

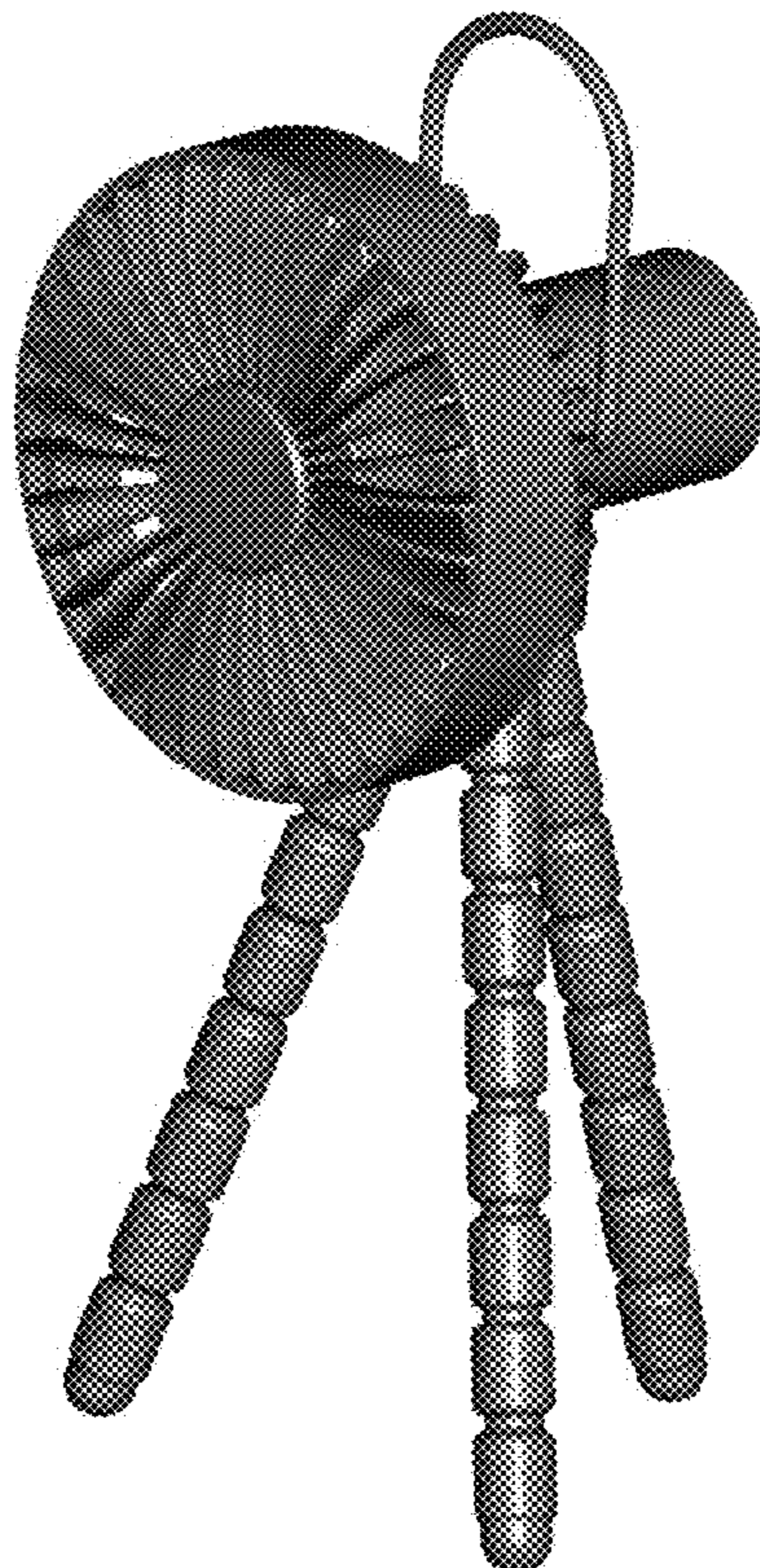
The ornamental design for a three-legged fan, as shown and described.

DESCRIPTION

The patent or application file contains at least one drawing executed in color. Copies of this patent or patent application publication with color drawing(s) will be provided by the Office upon request and payment of the necessary fee.

FIG. 1 is a front elevation view of a three-legged fan in using state showing my new design;
FIG. 2 is a rear elevation view thereof;
FIG. 3 is a left side view thereof;
FIG. 4 is a right side view thereof;
FIG. 5 is a bottom plan view thereof;
FIG. 6 is a top plan view thereof;
FIG. 7 is a perspective view thereof;
FIG. 8 is another front elevation view thereof but shown with the three legs in gathered position;
FIG. 9 is rear elevation view thereof;
FIG. 10 is a left side view, thereof,
FIG. 11 is a right side view thereof;
FIG. 12 is a bottom plan view thereof;
FIG. 13 is a top plan view thereof; and,
FIG. 14 is a perspective view thereof.

1 Claim, 14 Drawing Sheets
(14 of 14 Drawing Sheet(s) Filed in Color)



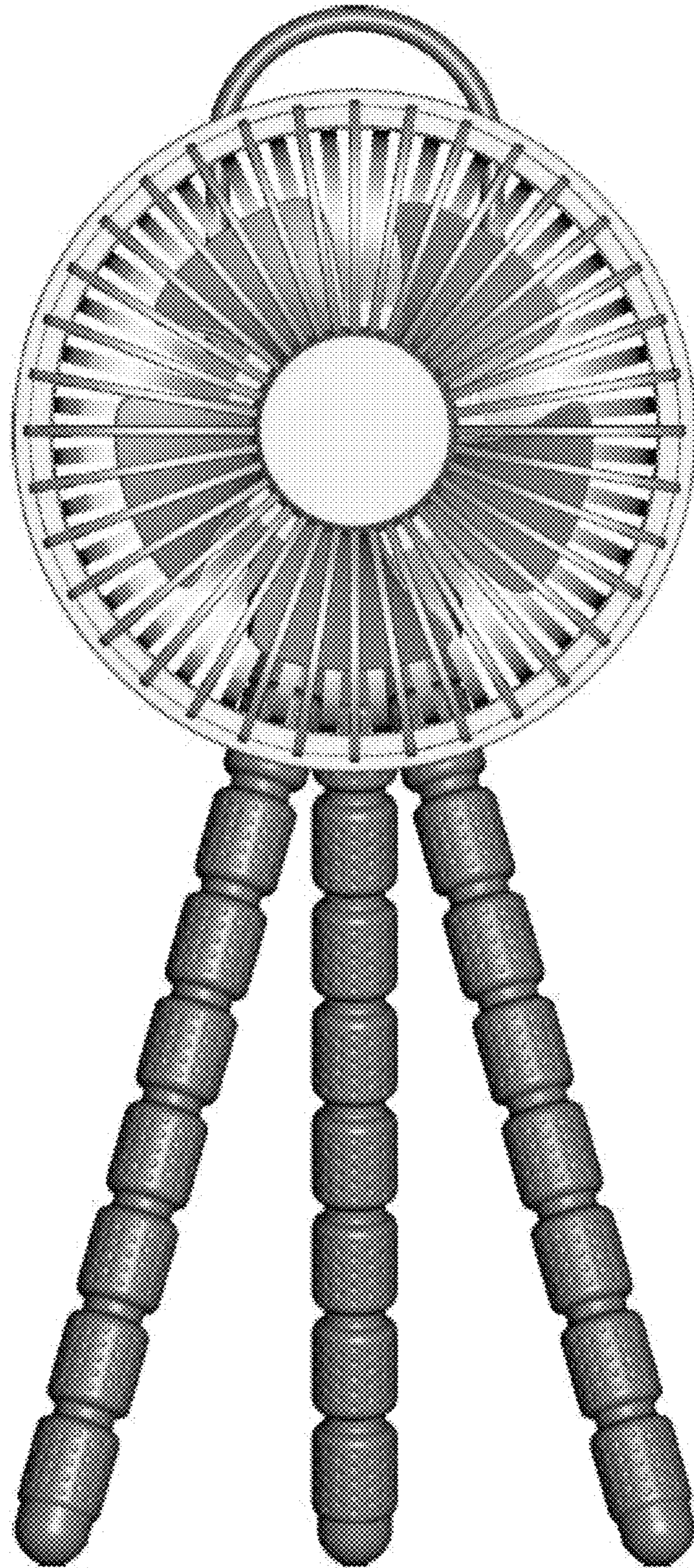


FIG. 1

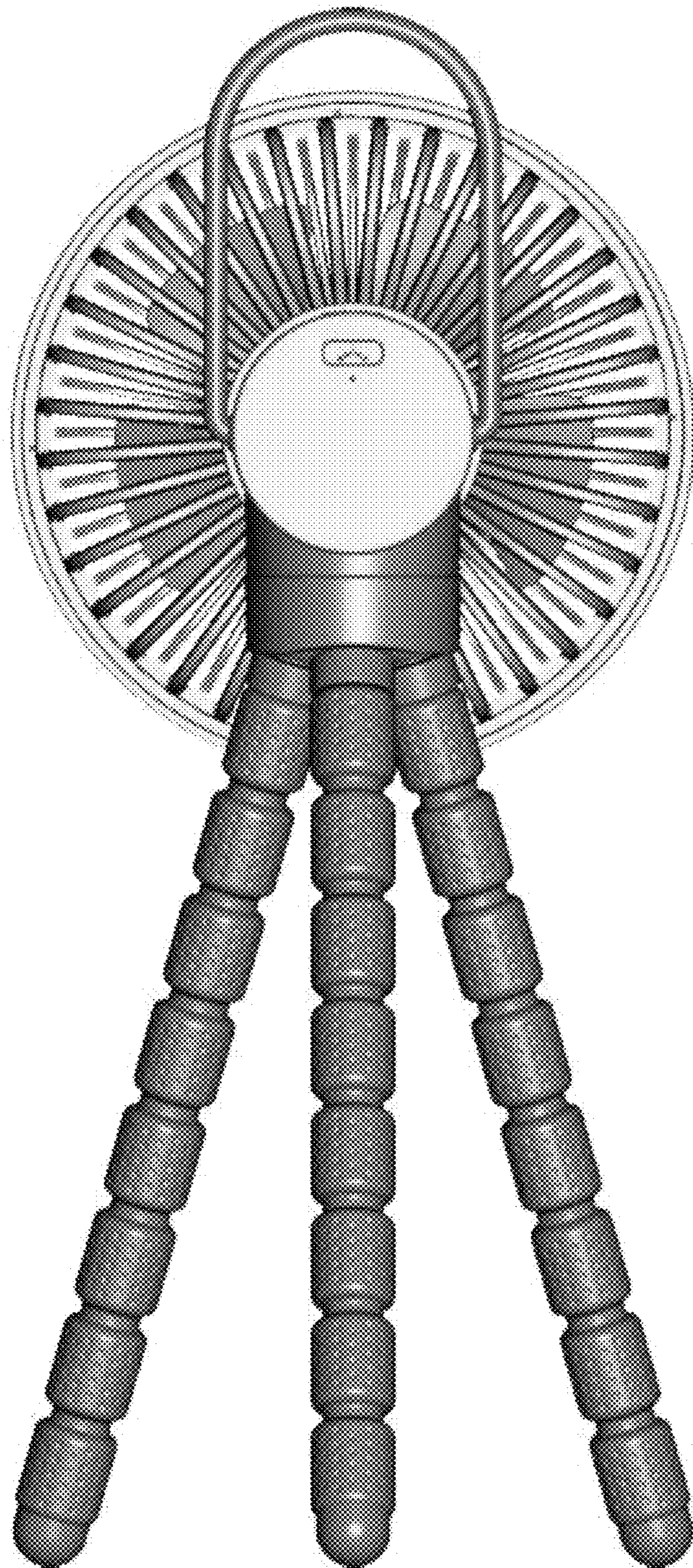


FIG. 2

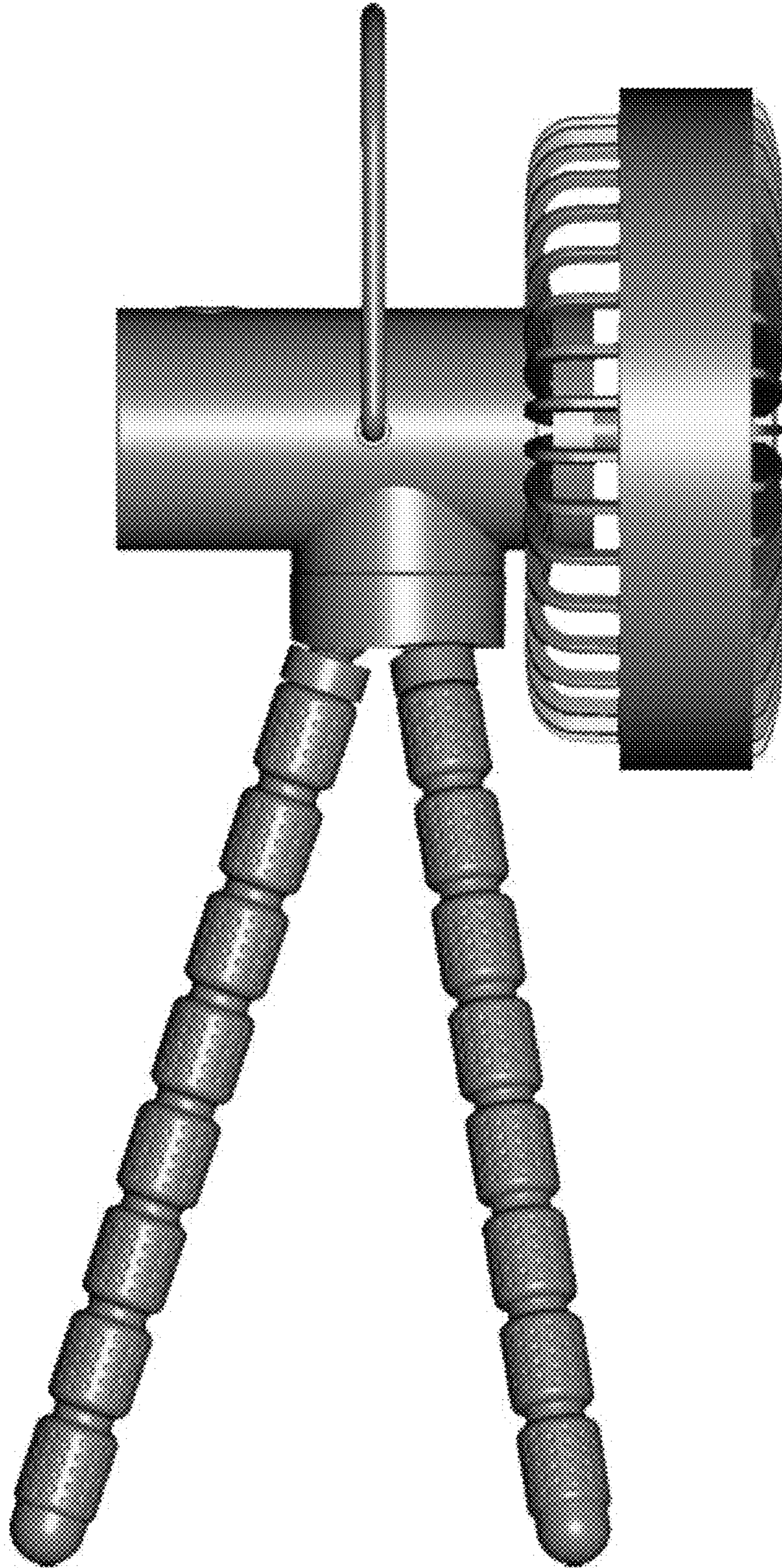


FIG. 3

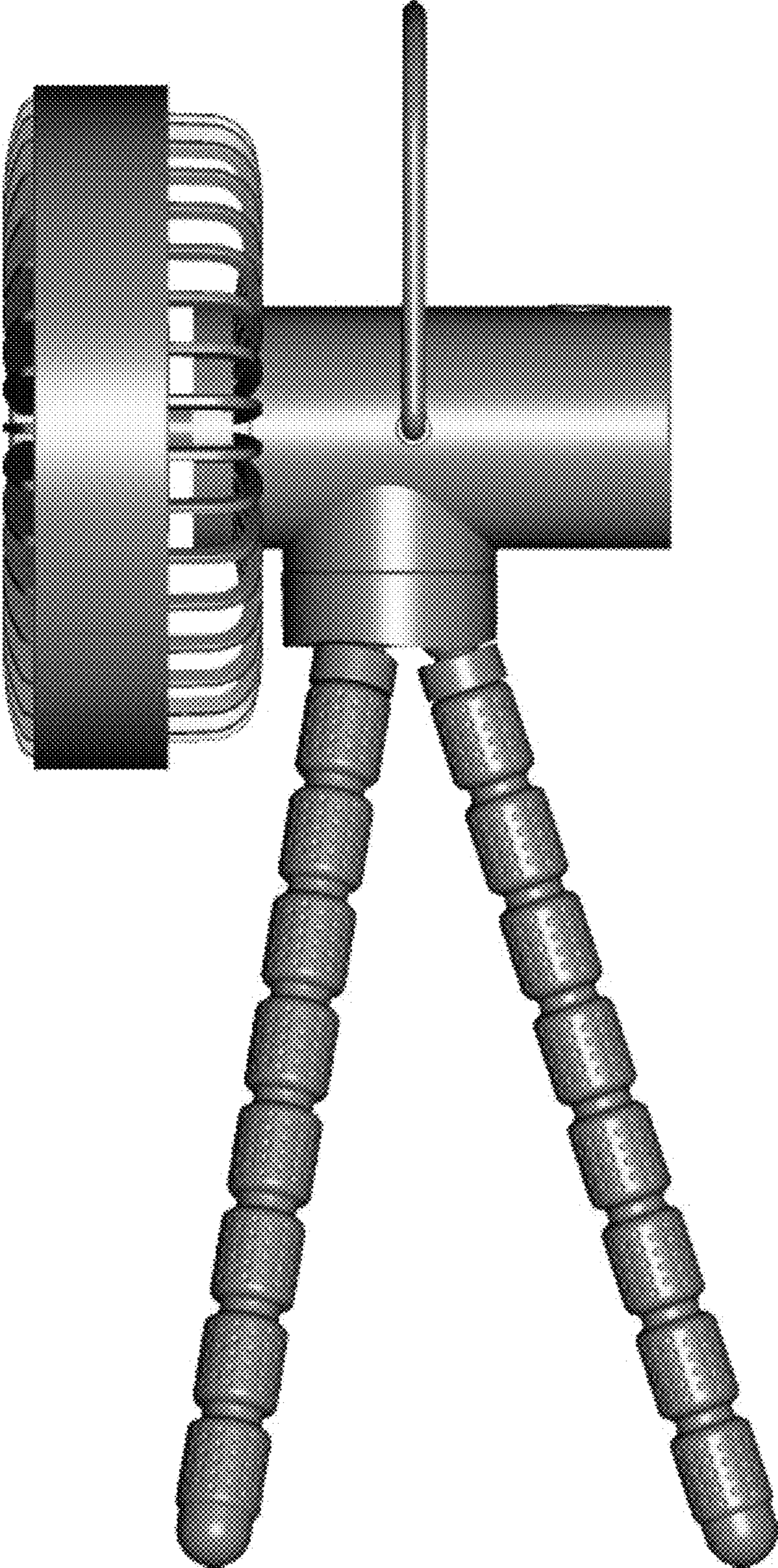


FIG. 4

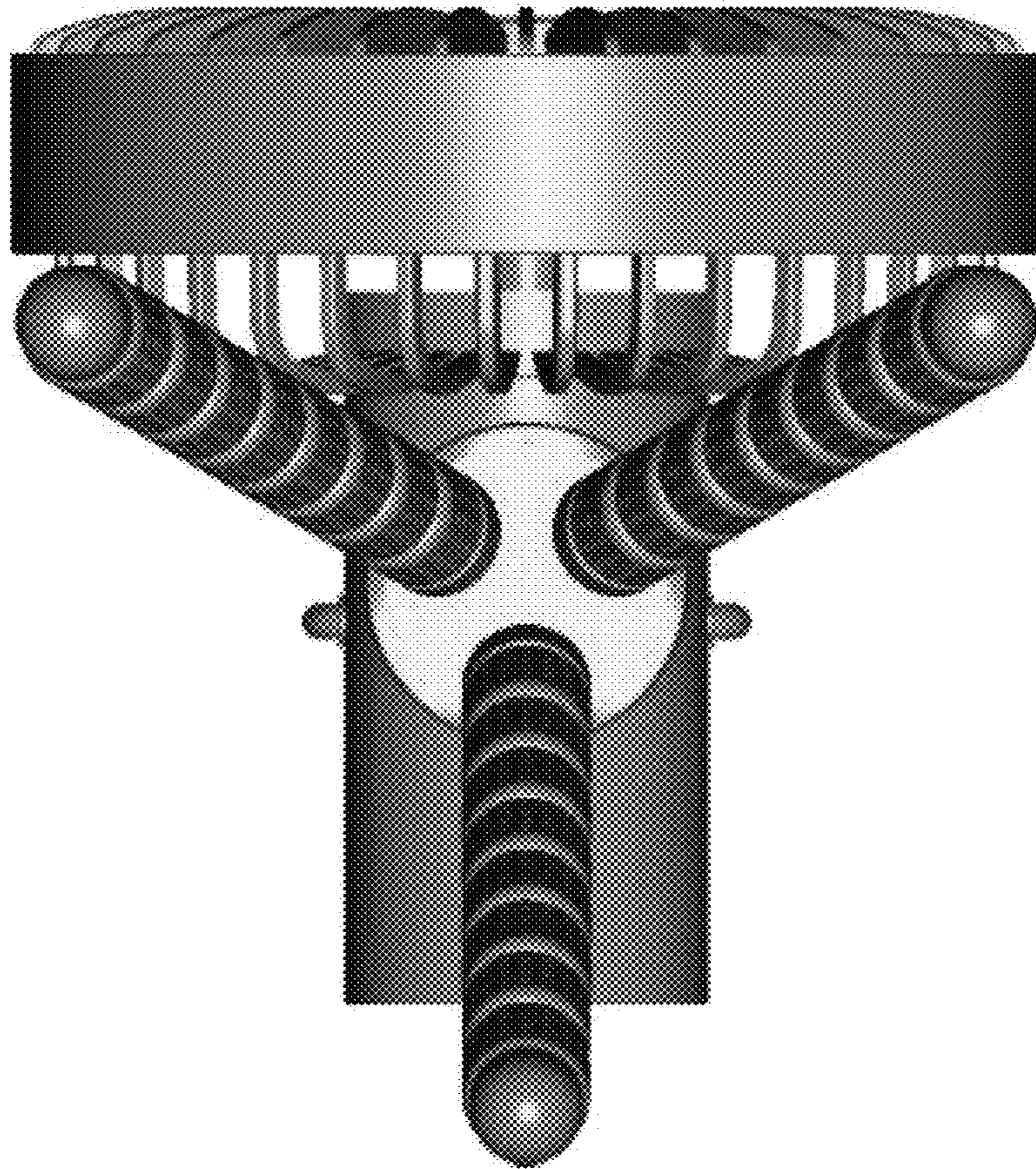


FIG. 5

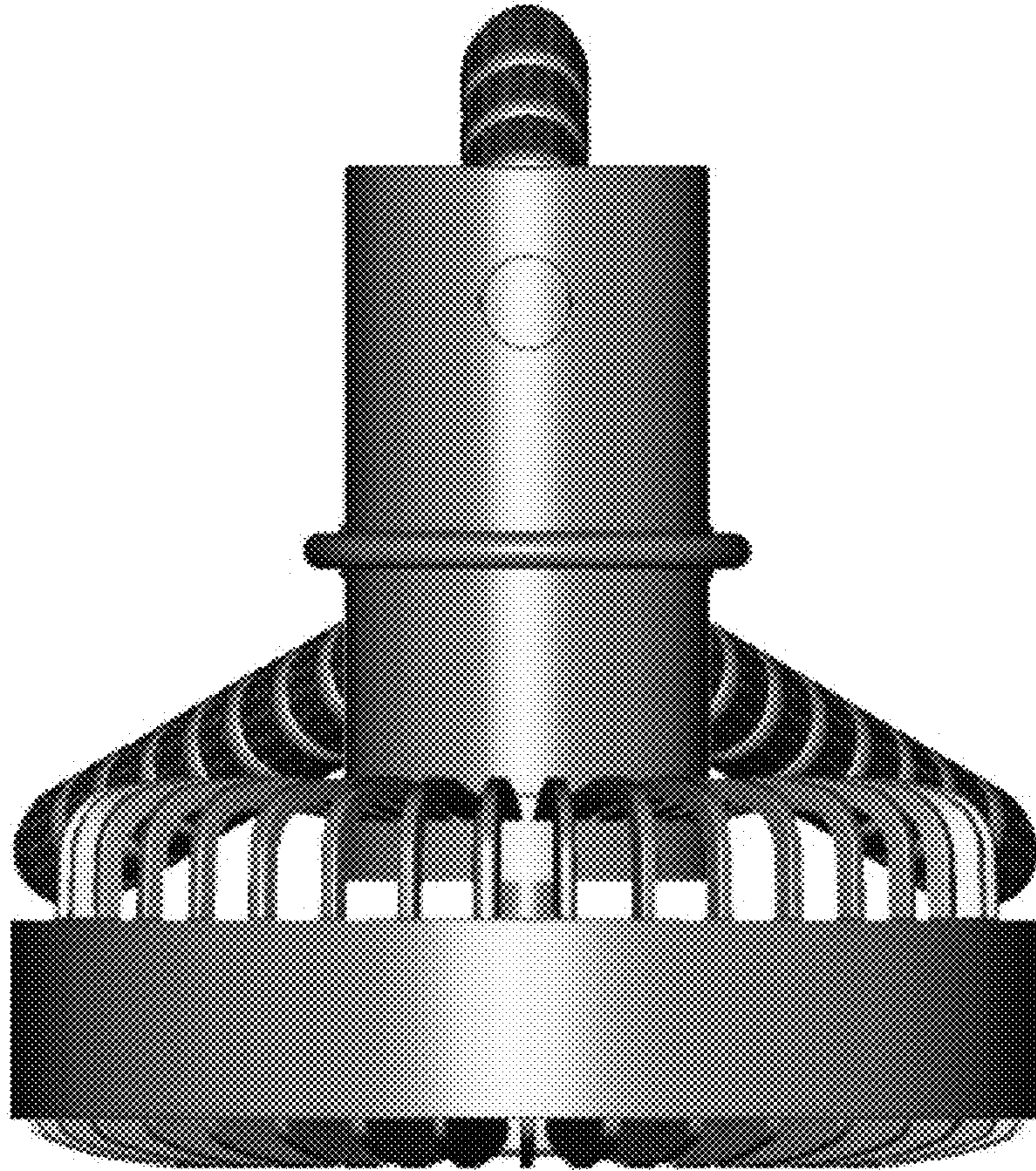


FIG. 6

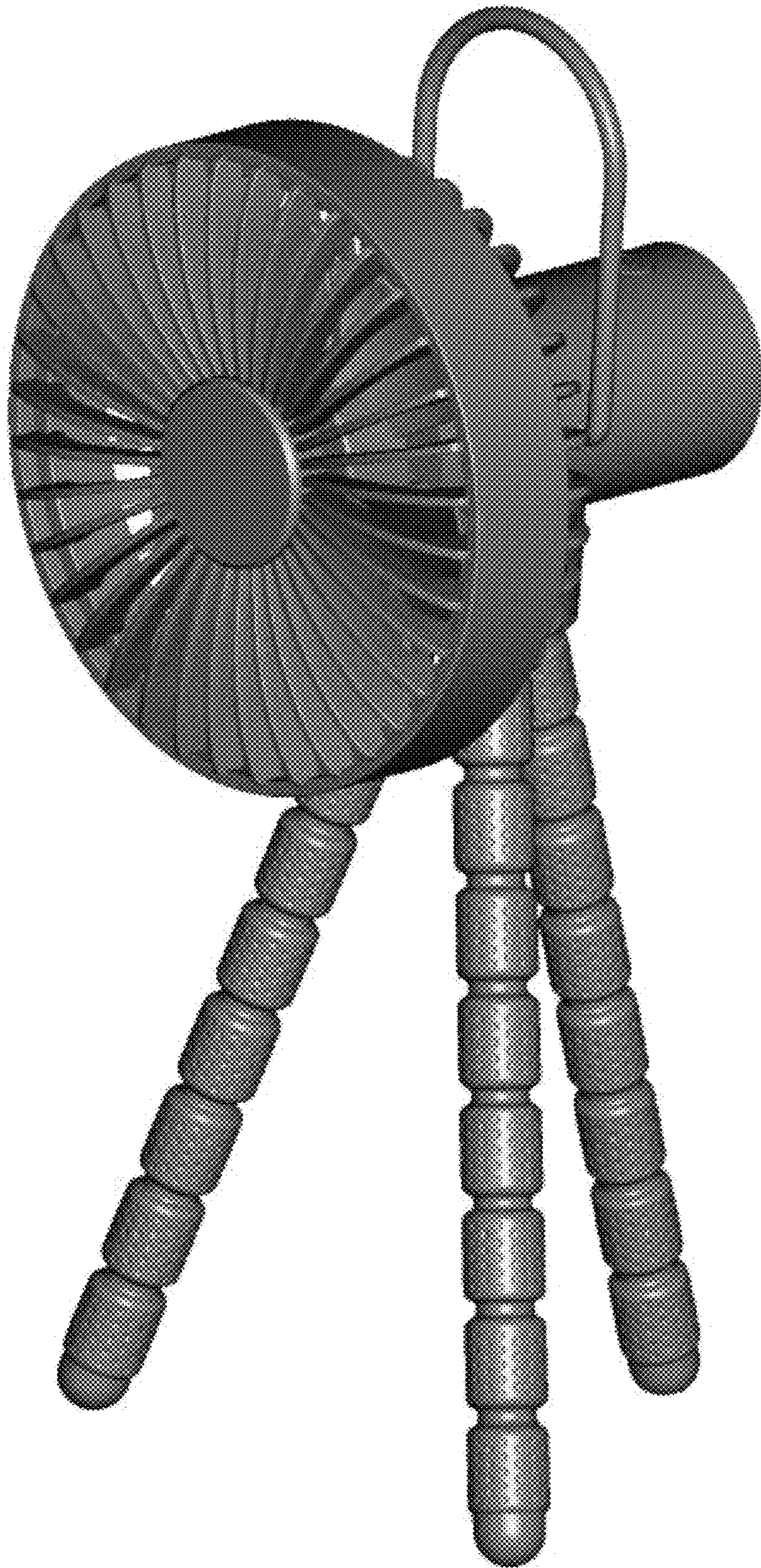


FIG. 7

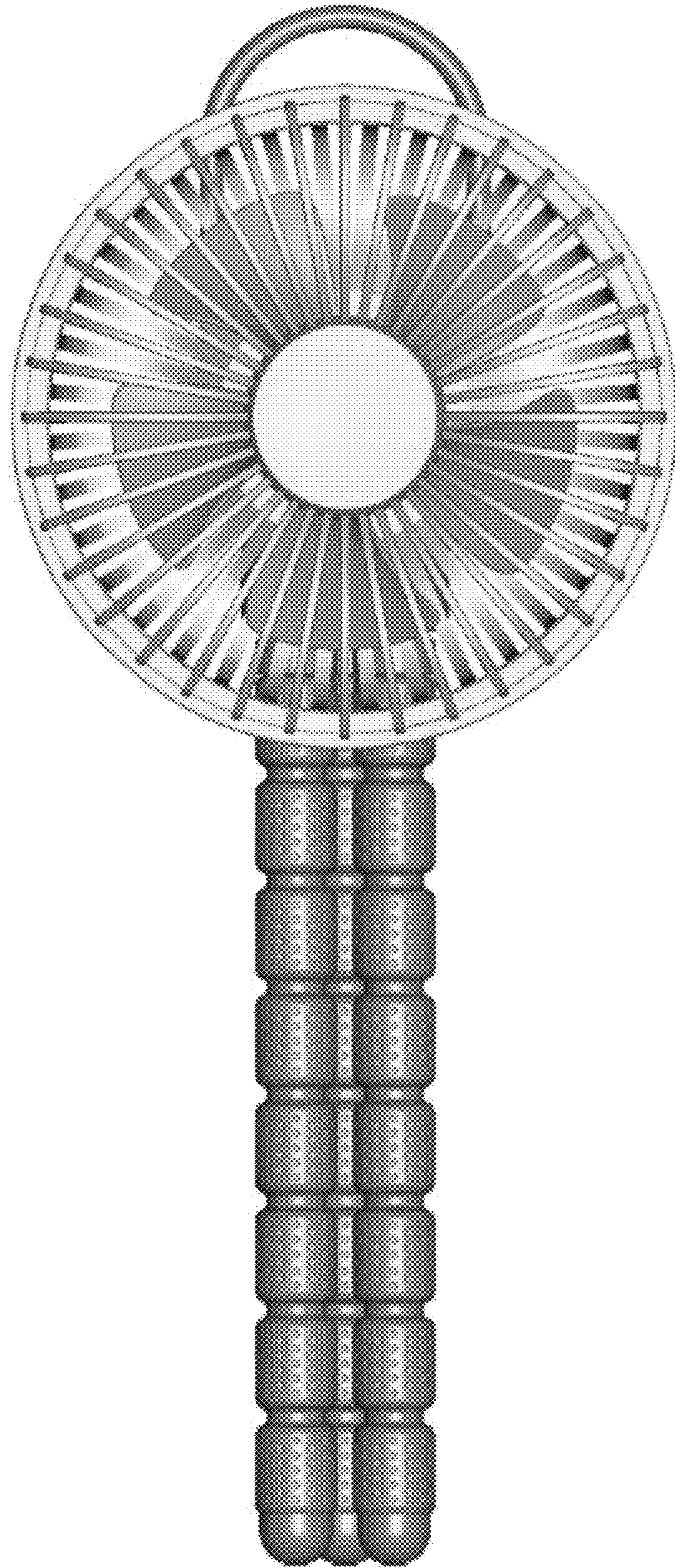


FIG. 8

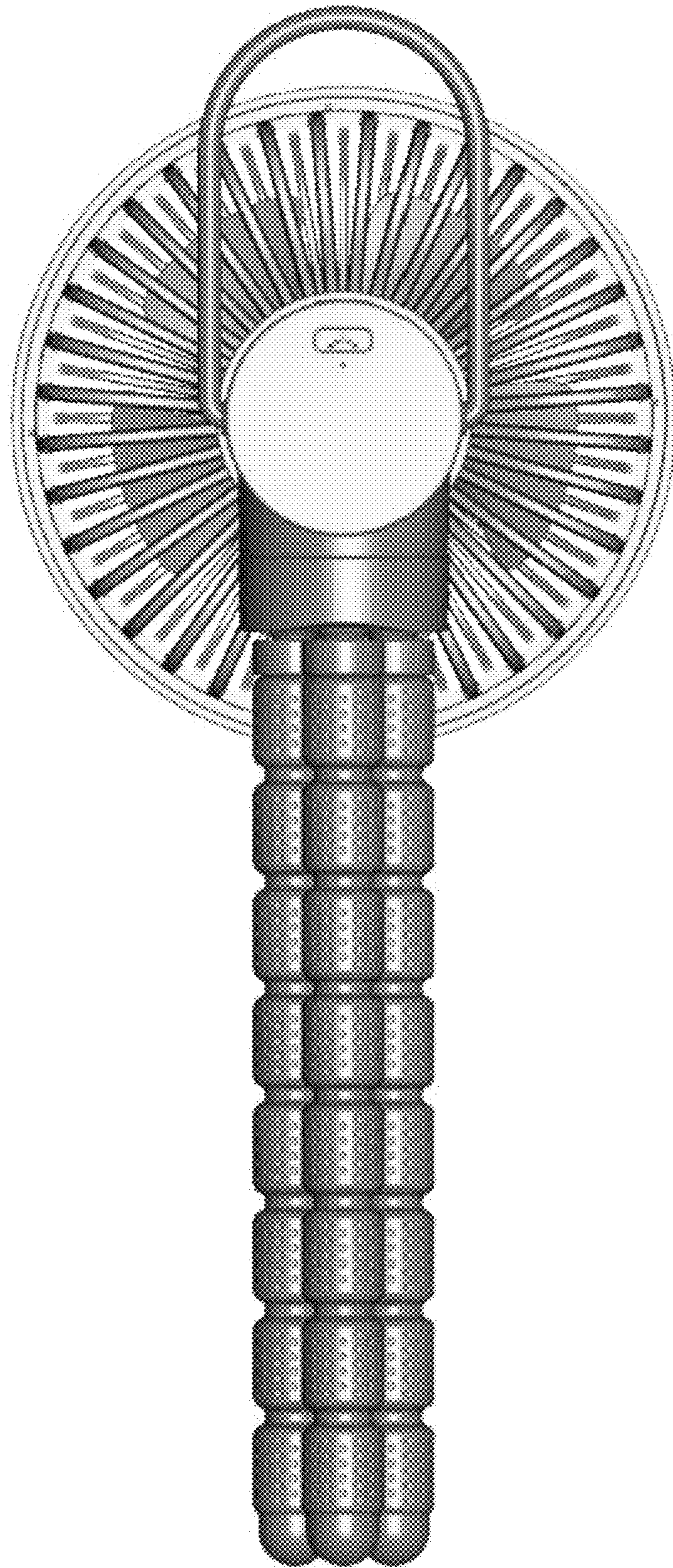


FIG. 9

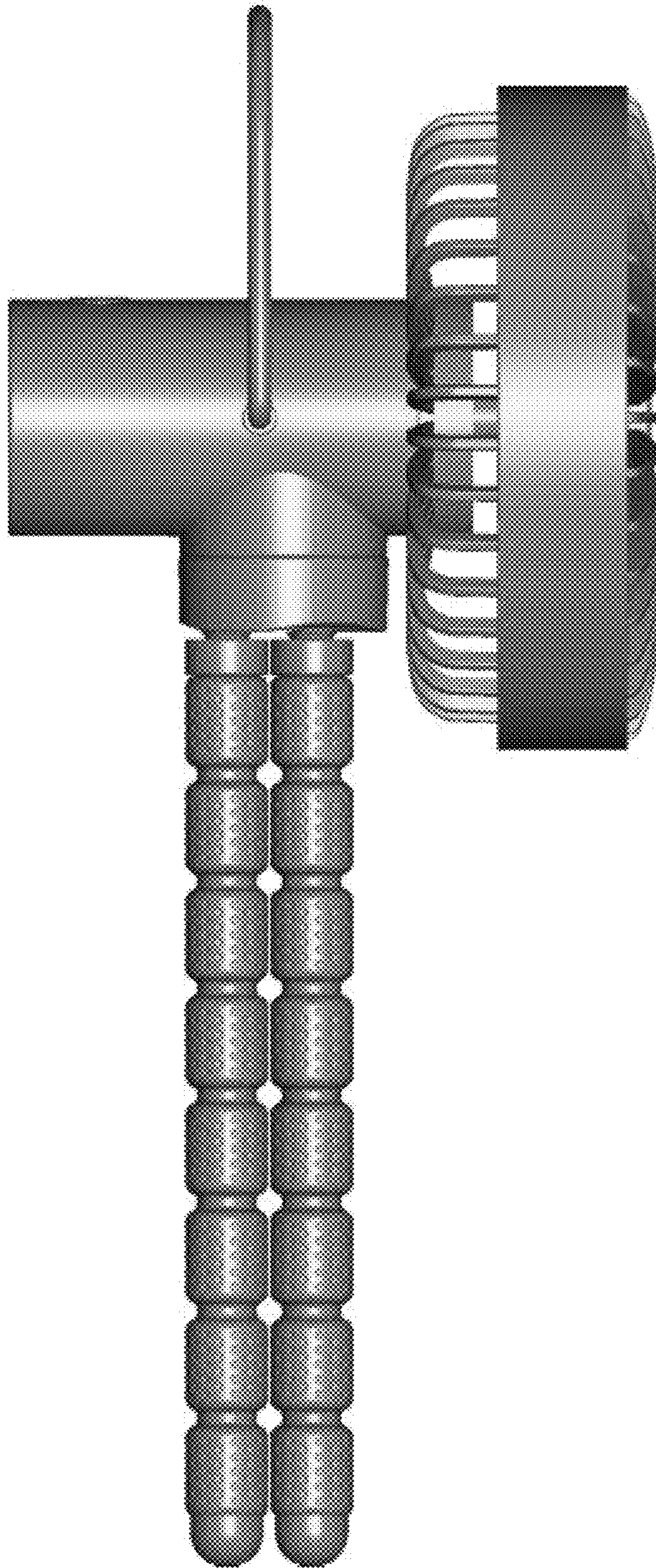


FIG. 10

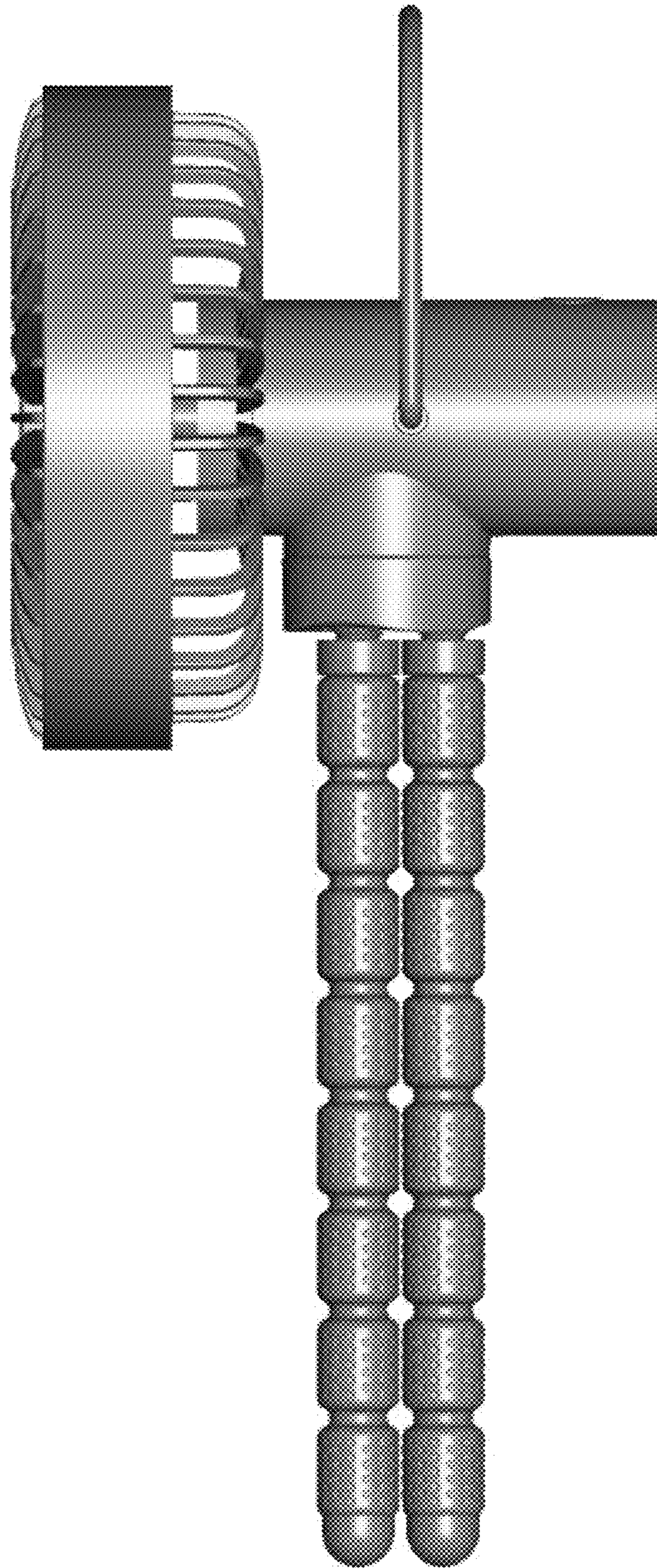


FIG. 11

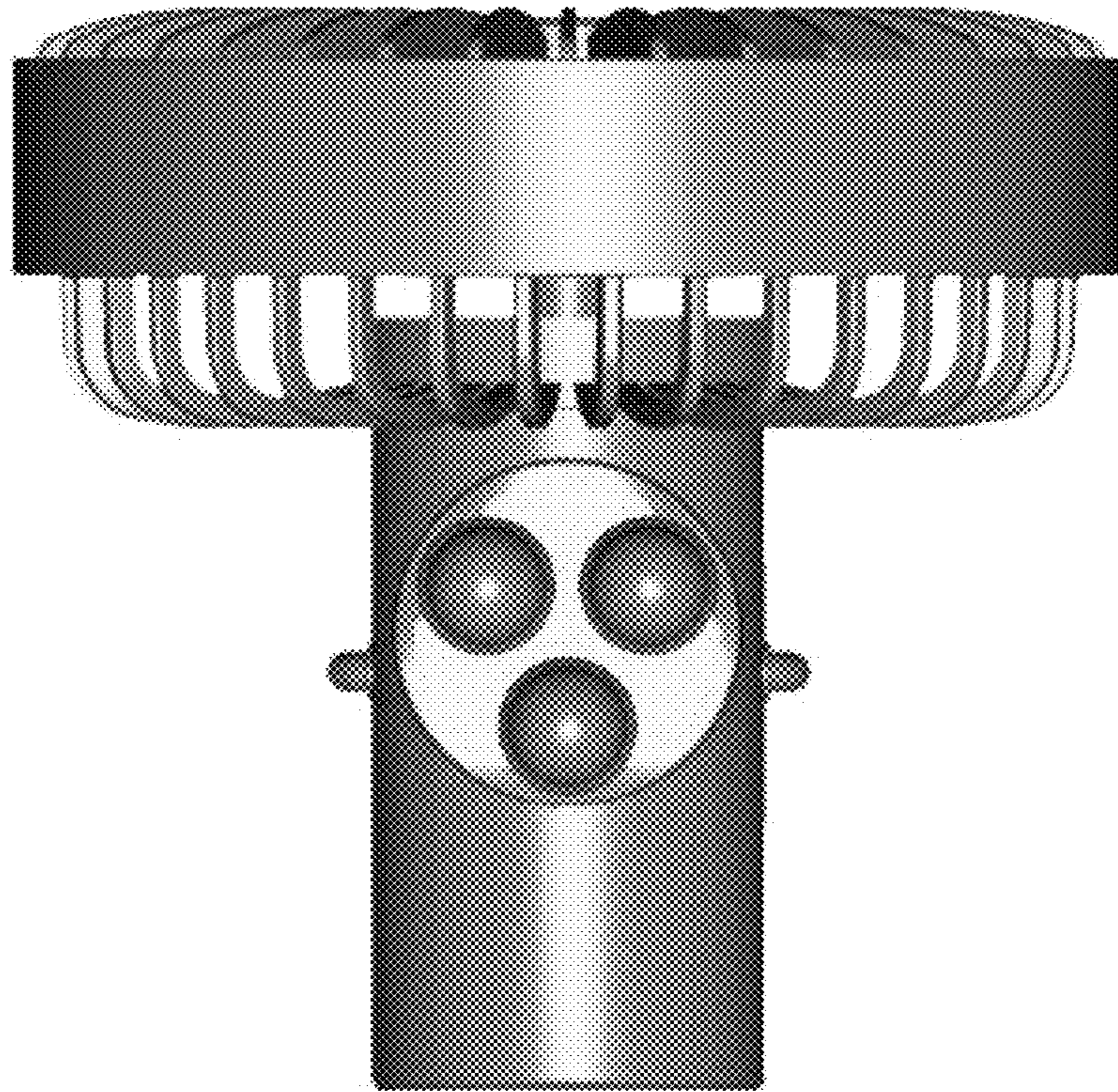


FIG. 12



FIG. 13

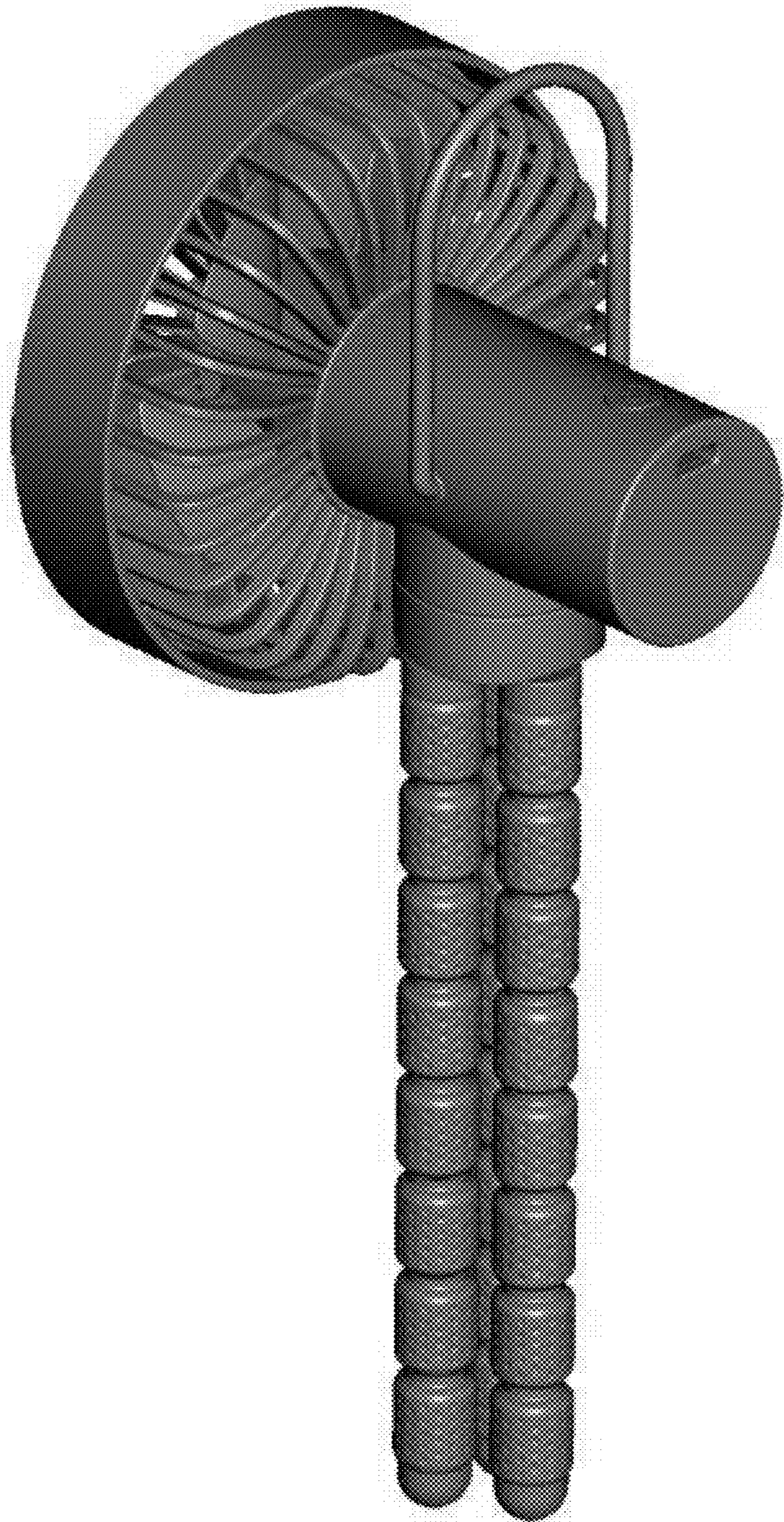


FIG. 14