



US00D984627S

(12) **United States Design Patent**  
**Huang**

(10) **Patent No.:** **US D984,627 S**

(45) **Date of Patent:** **\*\* Apr. 25, 2023**

(54) **EXHAUST FAN**

(71) Applicant: **Wei Huang**, Shenzhen (CN)

(72) Inventor: **Wei Huang**, Shenzhen (CN)

(\*\*) Term: **15 Years**

(21) Appl. No.: **29/870,929**

(22) Filed: **Feb. 8, 2023**

(30) **Foreign Application Priority Data**

Jan. 17, 2023 (EM) ..... 15009112-0001

(51) **LOC (14) Cl.** ..... **23-04**

(52) **U.S. Cl.**  
USPC ..... **D23/371**; D23/373; D23/376

(58) **Field of Classification Search**  
USPC ..... D23/370, 371, 373, 374, 376, 411  
CPC ..... F24F 13/10; F24F 7/02; F23L 17/12  
See application file for complete search history.

(56) **References Cited**

**U.S. PATENT DOCUMENTS**

D180,809 S *	8/1957	Rosen	.....	D23/376
3,082,677 A *	3/1963	Richard	.....	E04D 13/1471
				248/148
D212,882 S *	12/1968	Austin	.....	D23/370
3,650,198 A *	3/1972	Stone	.....	F16L 17/02
				454/37
D254,804 S *	4/1980	Ballard	.....	454/35
D259,208 S *	5/1981	McCullough	.....	D23/376
4,398,453 A *	8/1983	Wilkerson	.....	F23L 17/12
				138/155
D281,274 S *	11/1985	Wright, Jr.	.....	D23/376
D403,752 S *	1/1999	Rademaker	.....	D23/260
6,302,787 B1 *	10/2001	Graft, Jr.	.....	F24F 7/02
				454/366
D581,032 S *	11/2008	Parry	.....	D23/260
D609,798 S *	2/2010	Matejczuk	.....	D23/374

D780,302 S *	2/2017	Merritt	.....	D23/374
D820,429 S *	6/2018	Ainger	.....	D23/373
D903,085 S *	11/2020	Gebert	.....	D23/370
D933,185 S	10/2021	Li		
D948,697 S	4/2022	Li		
2006/0111034 A1 *	5/2006	Parry	.....	F23L 17/02
				454/3
2011/0312265 A1 *	12/2011	Leblanc	.....	F24F 13/1413
				454/365
2014/0194053 A1 *	7/2014	Carroll	.....	F24F 13/20
				454/367
2014/0256242 A1 *	9/2014	Bertler	.....	F23L 17/02
				454/38
2017/0037633 A1 *	2/2017	Ainger	.....	E04D 13/1476
2020/0063958 A1 *	2/2020	Patil	.....	F23J 13/08
2021/0088212 A1 *	3/2021	Chandrasekaran	.....	F23J 13/08
2021/0262694 A1 *	8/2021	Rahimi	.....	F24F 13/0245

\* cited by examiner

*Primary Examiner* — Janice Hallmark

(74) *Attorney, Agent, or Firm* — Jeenam Park

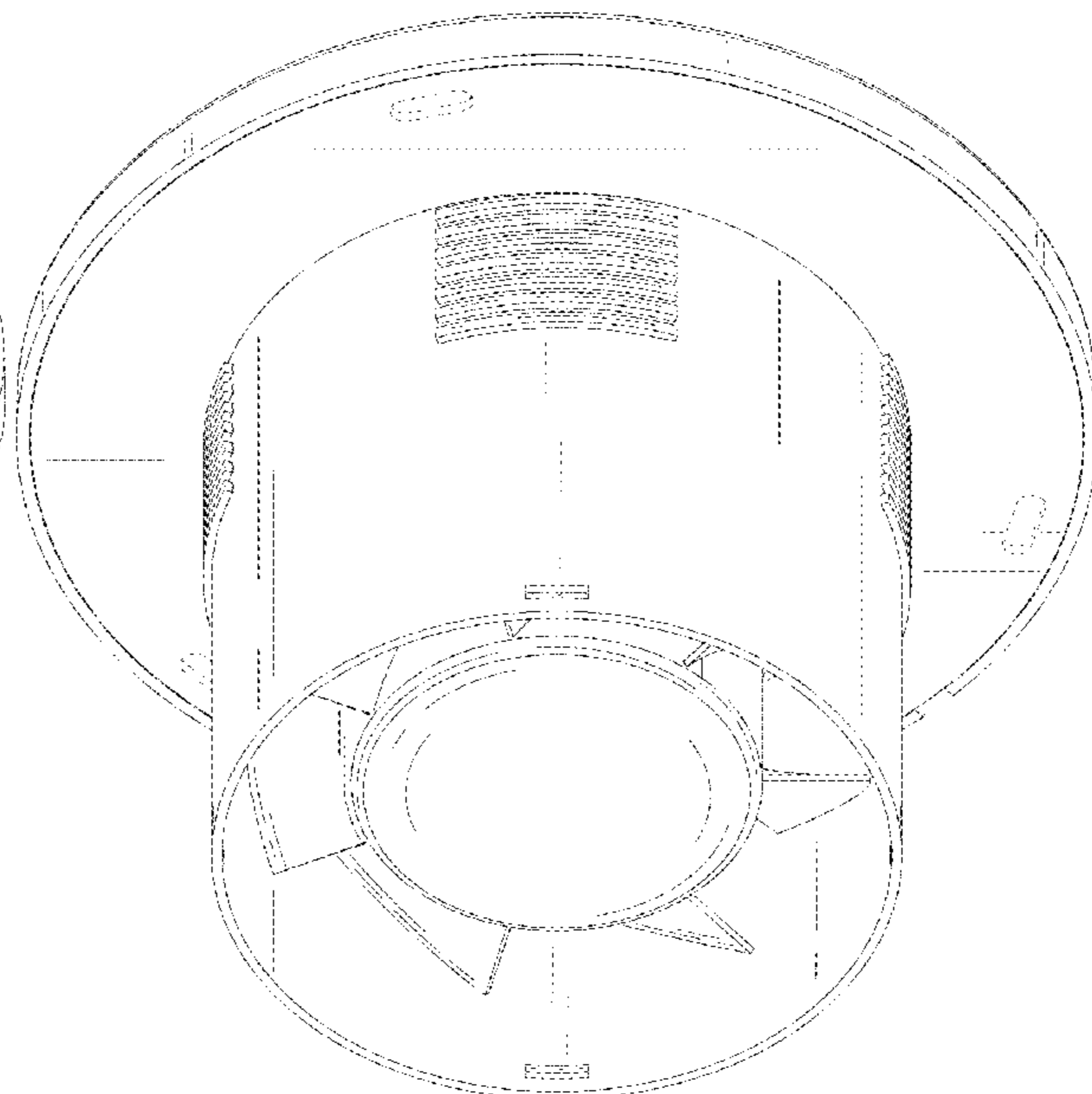
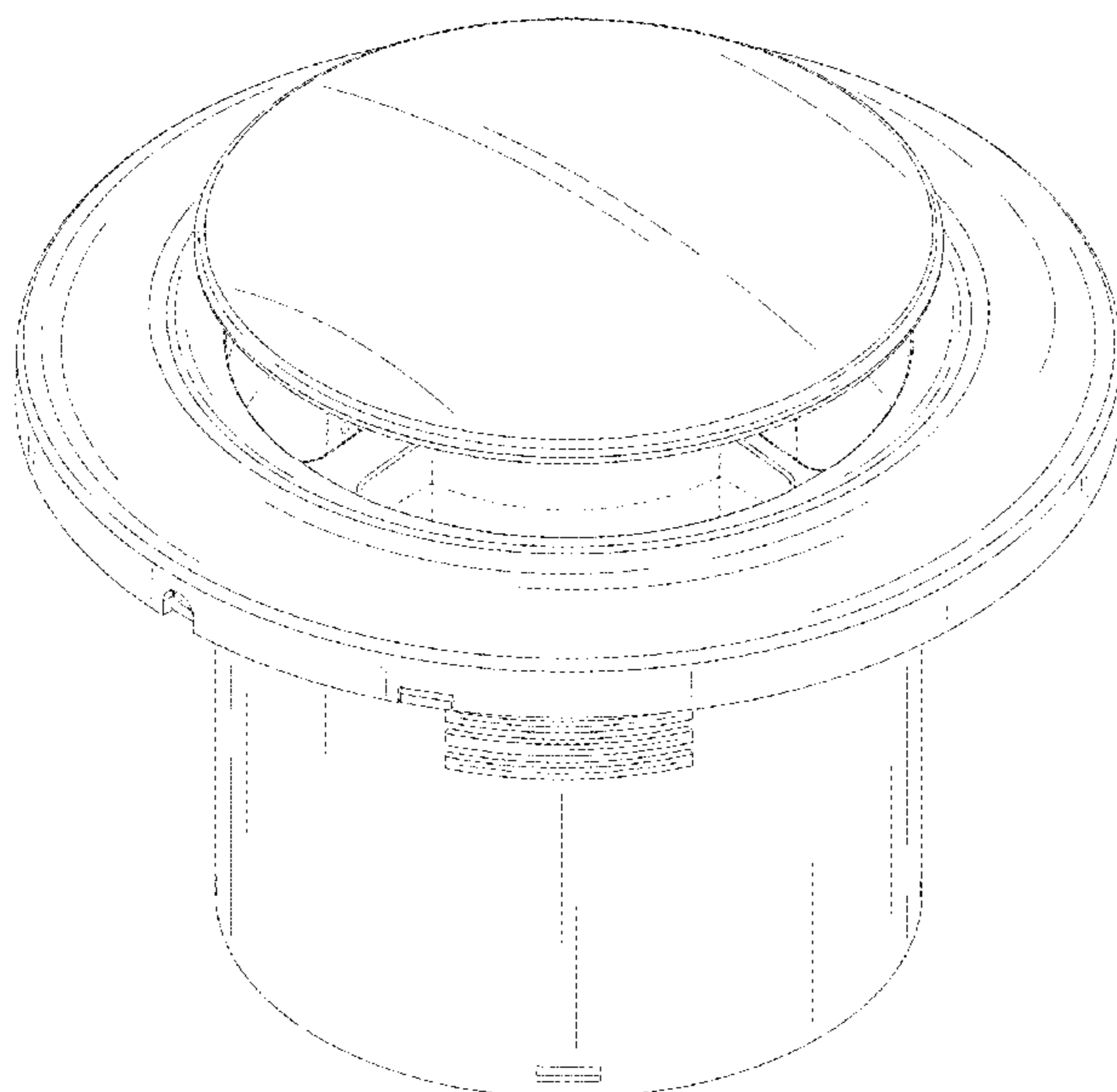
(57) **CLAIM**

The ornamental design for an exhaust fan, as shown and described.

**DESCRIPTION**

FIG. 1 is a front, right and top perspective view of an exhaust fan, showing my new design;  
FIG. 2 is a rear, left and bottom perspective view thereof;  
FIG. 3 is a rear and bottom perspective view thereof;  
FIG. 4 is a front view thereof;  
FIG. 5 is a rear view thereof;  
FIG. 6 is a left side view thereof;  
FIG. 7 is a right side view thereof;  
FIG. 8 is a top plan view thereof; and,  
FIG. 9 is a bottom plan view thereof.  
The broken lines shown in the drawings illustrate portions of the exhaust fan that form no part of the claimed design.

**1 Claim, 9 Drawing Sheets**



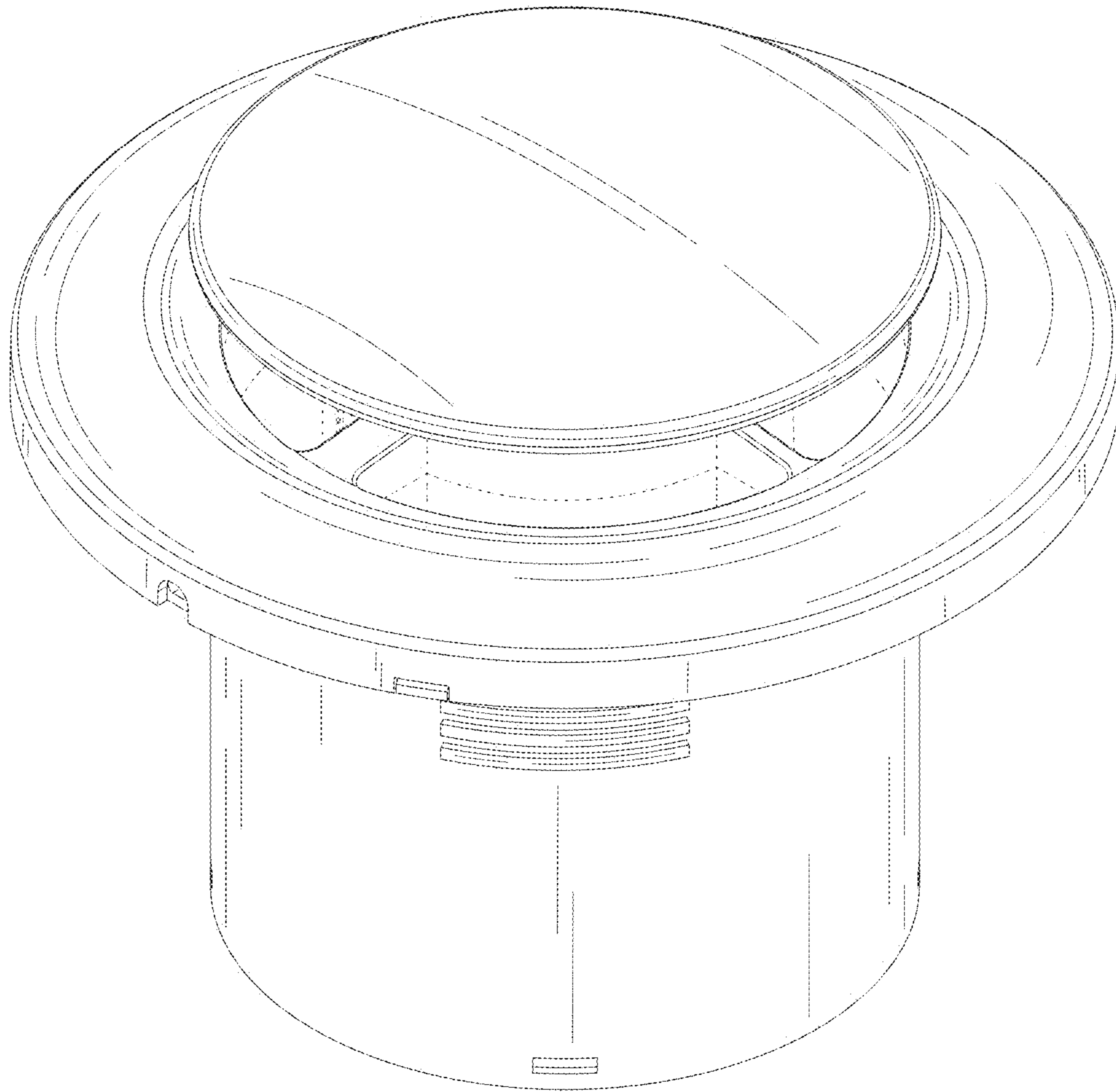


FIG. 1

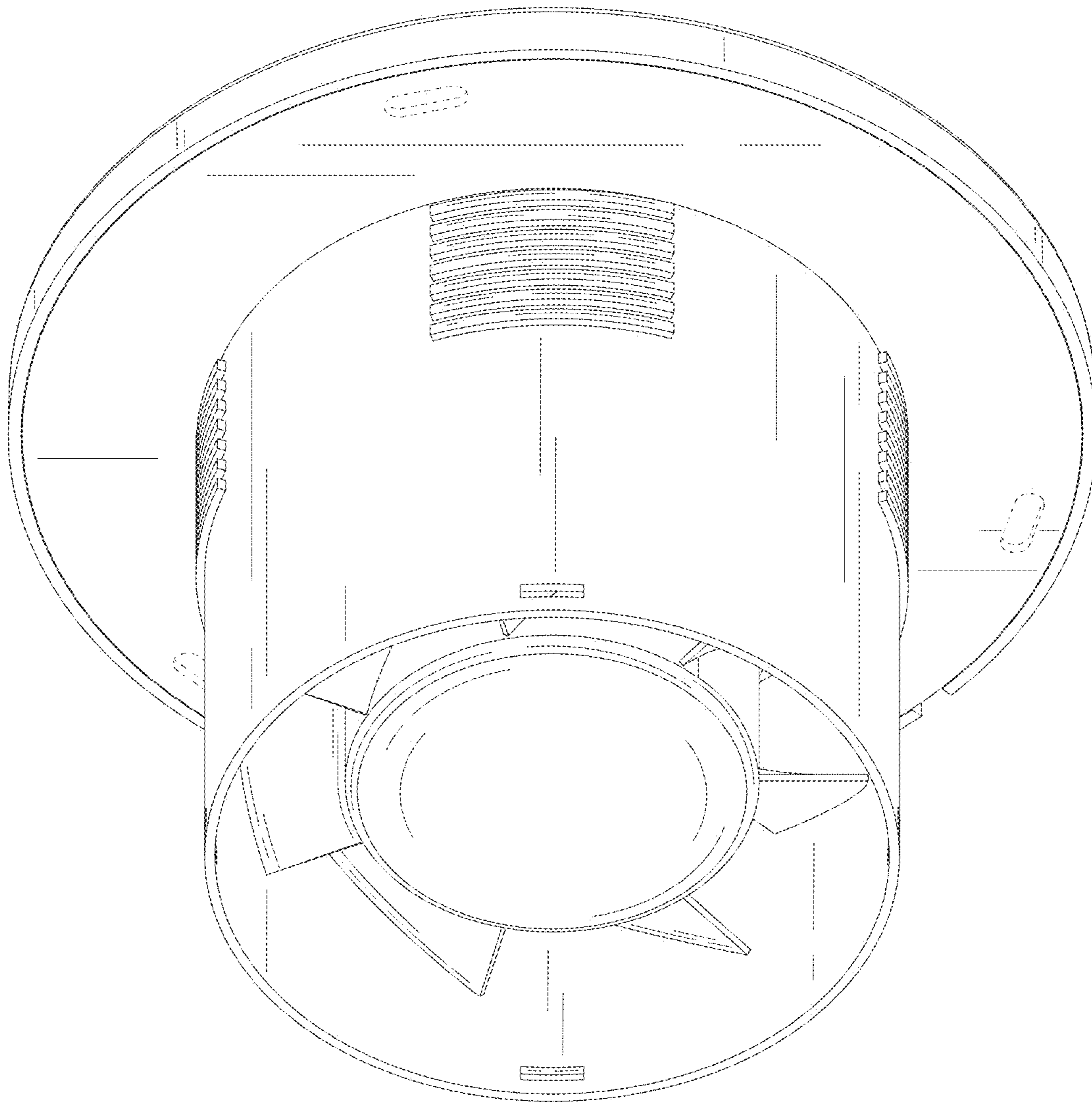


FIG. 2

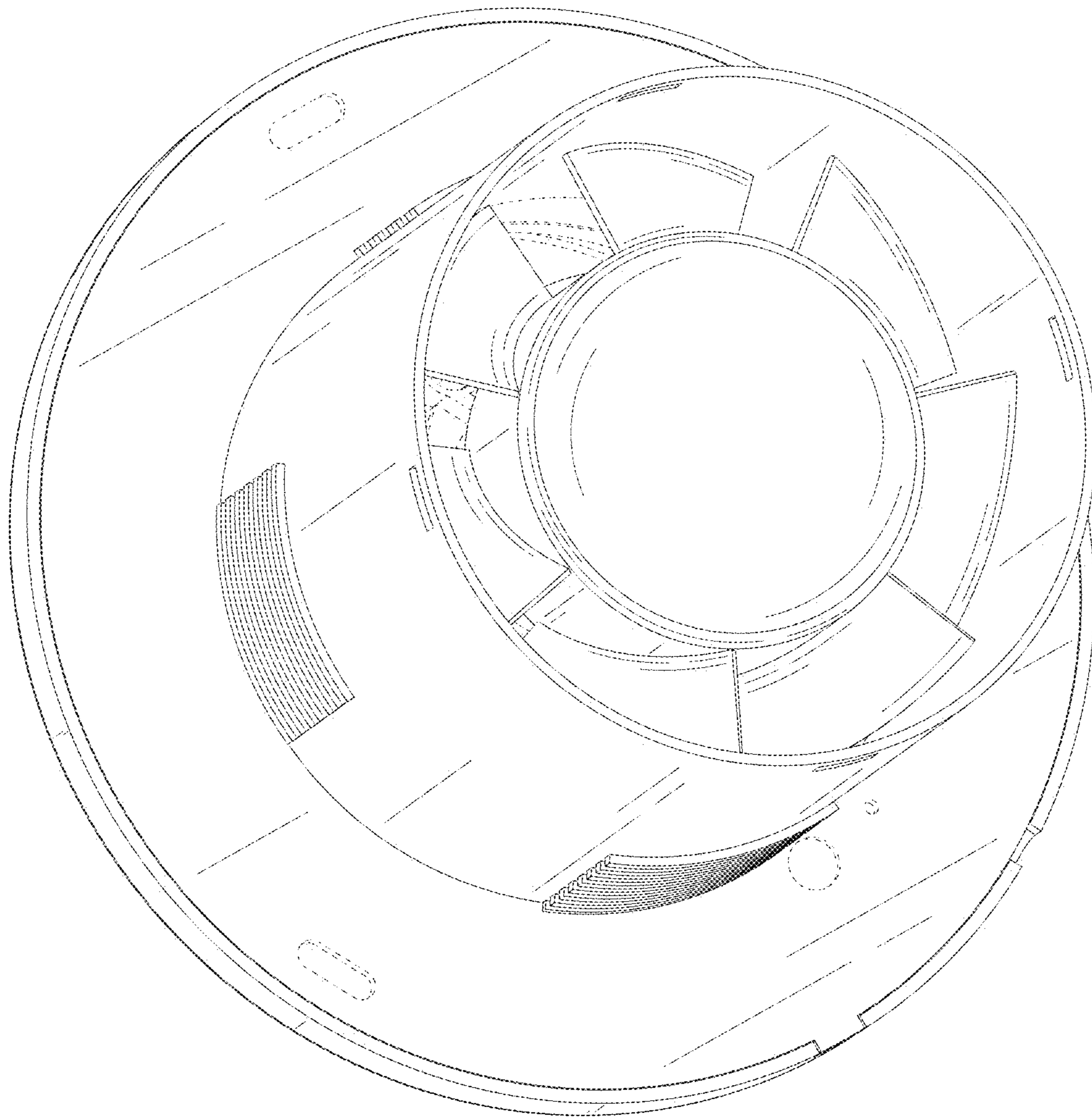


FIG. 3

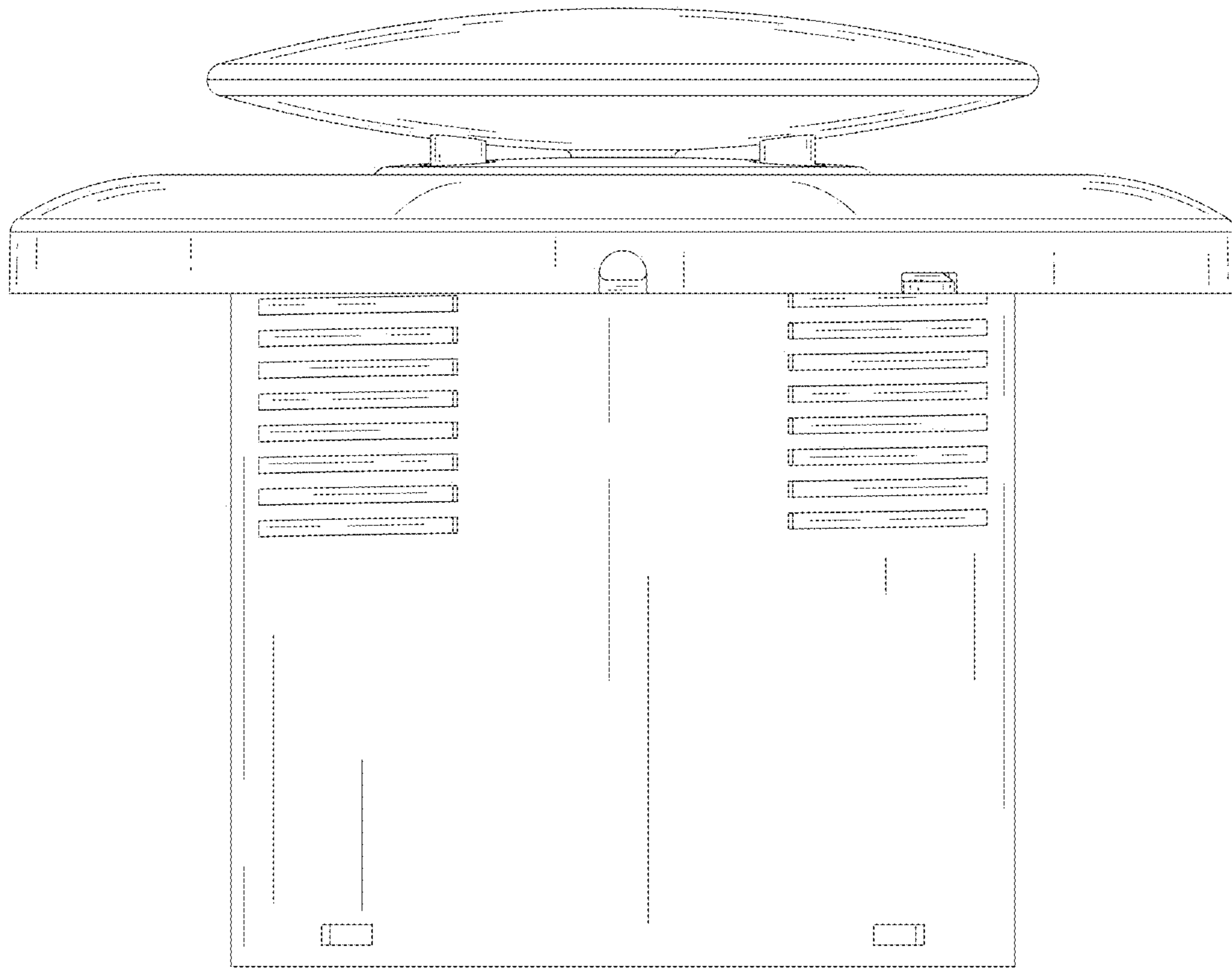


FIG. 4

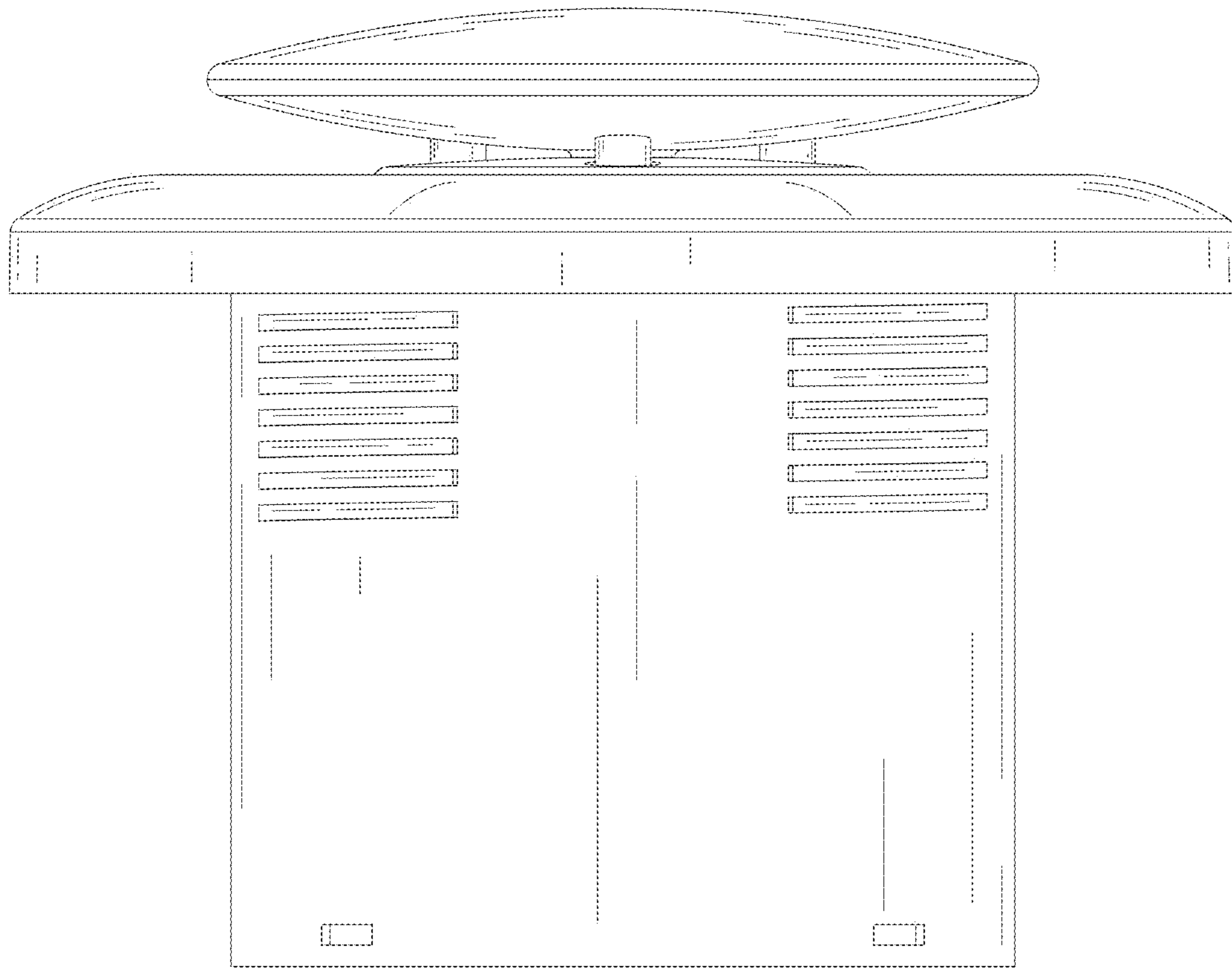


FIG. 5

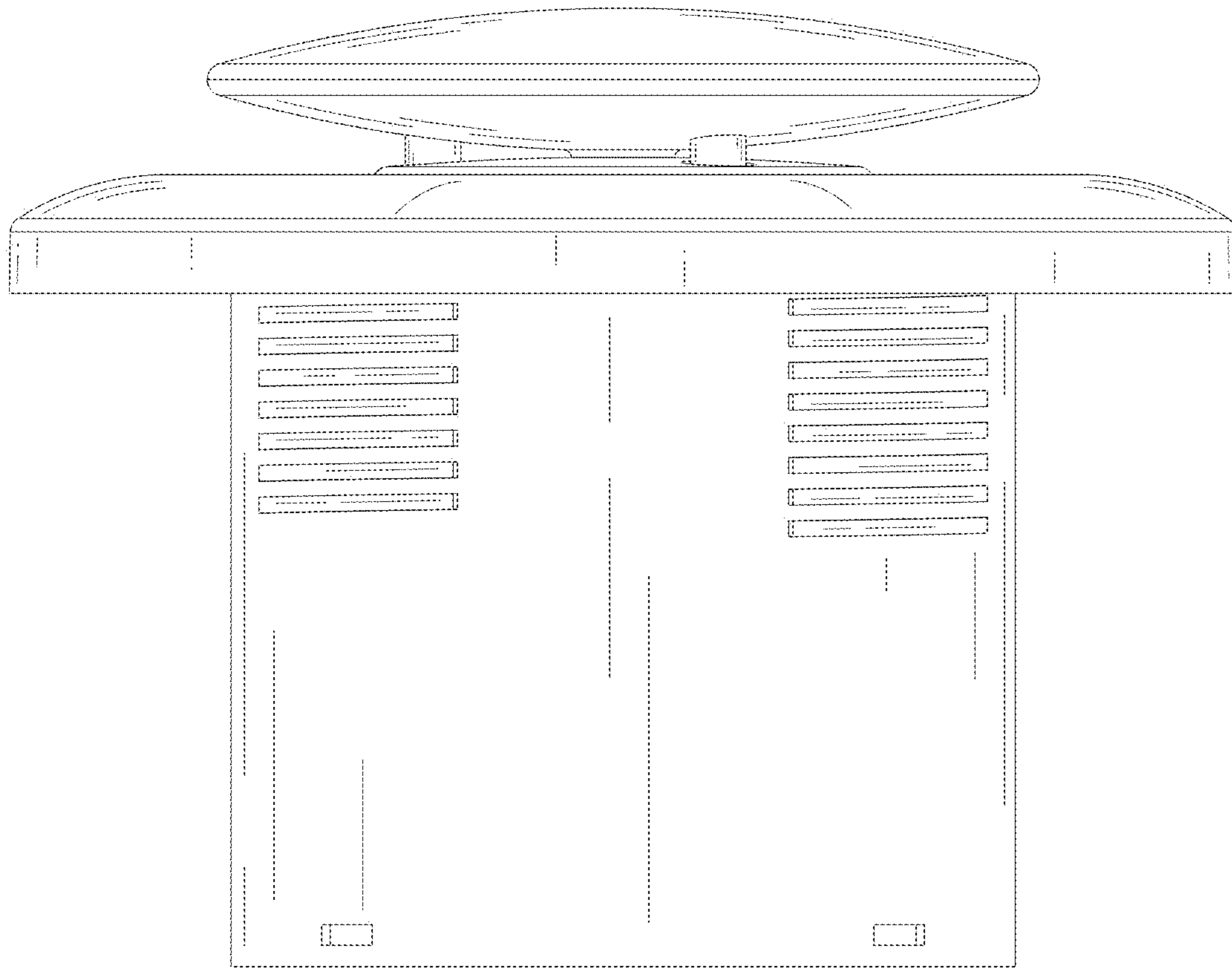


FIG. 6

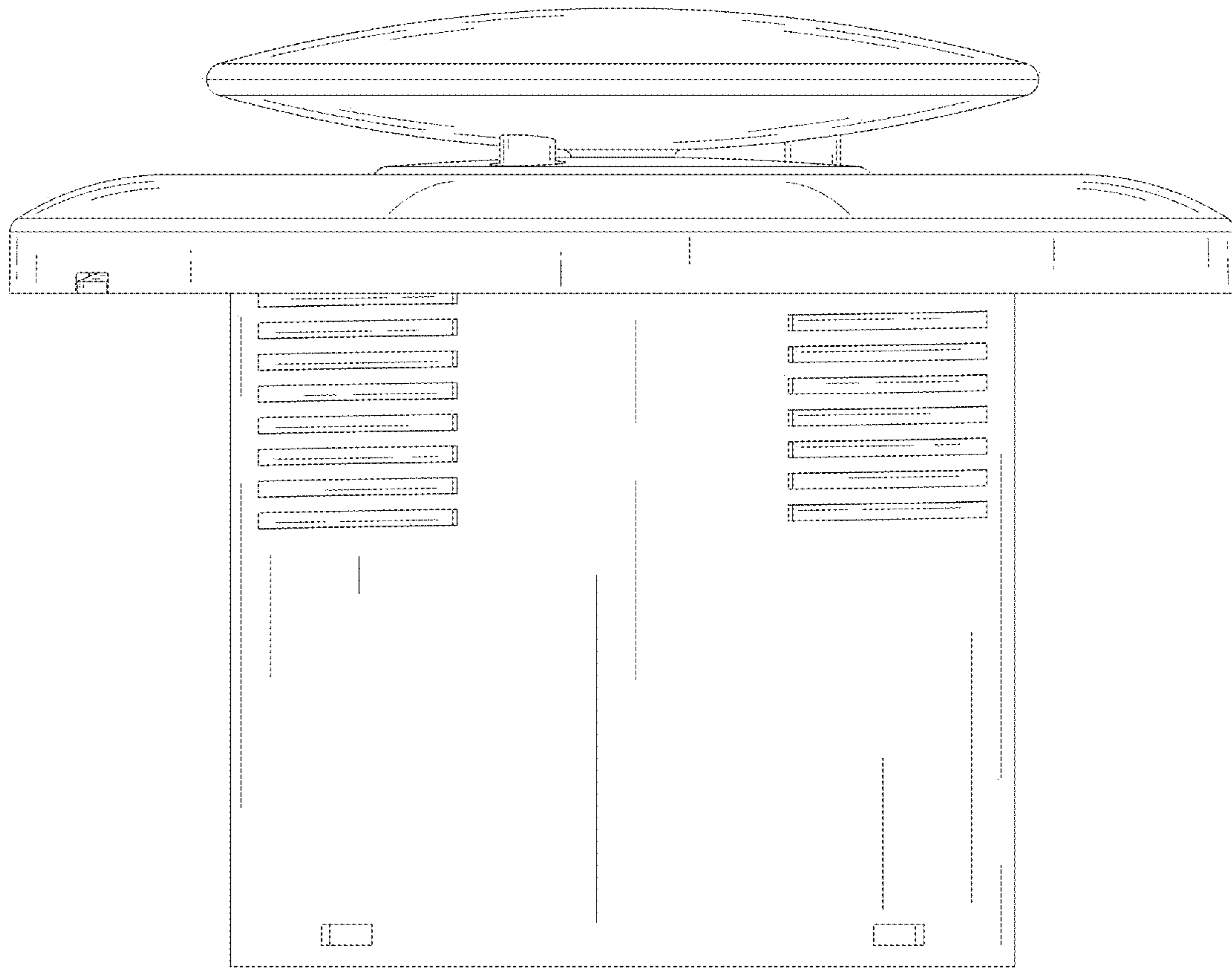


FIG. 7



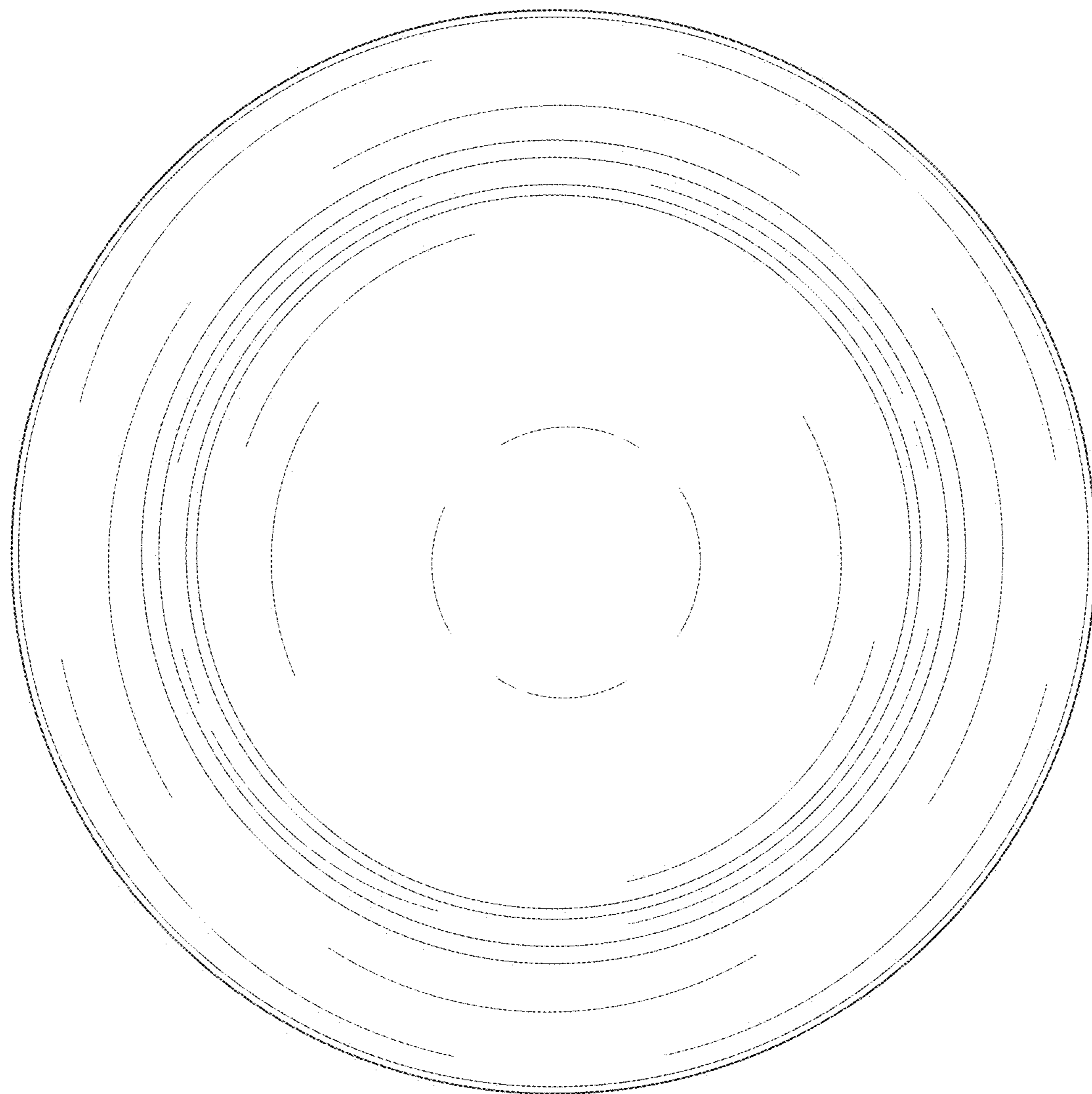


FIG. 8

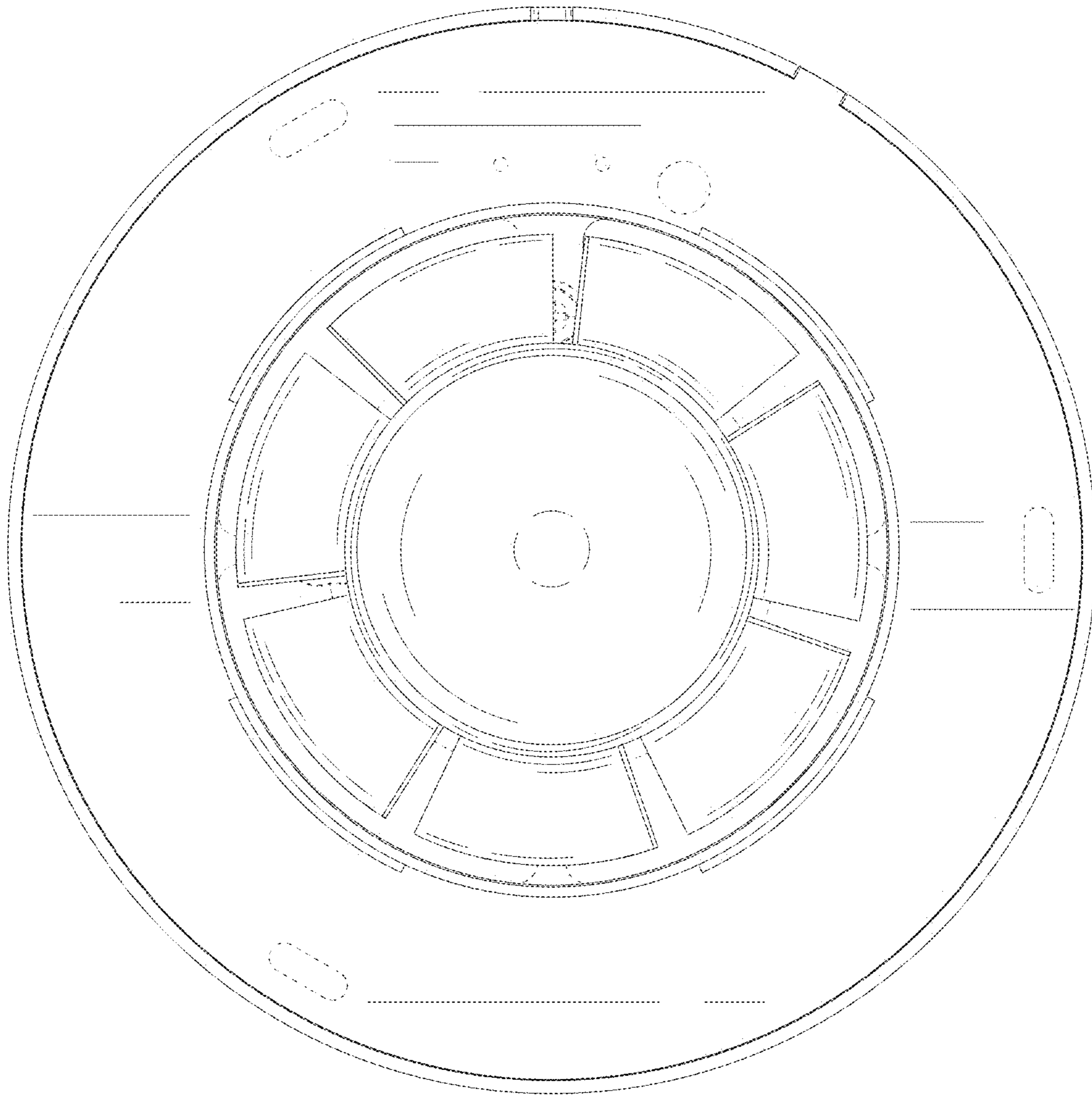


FIG. 9